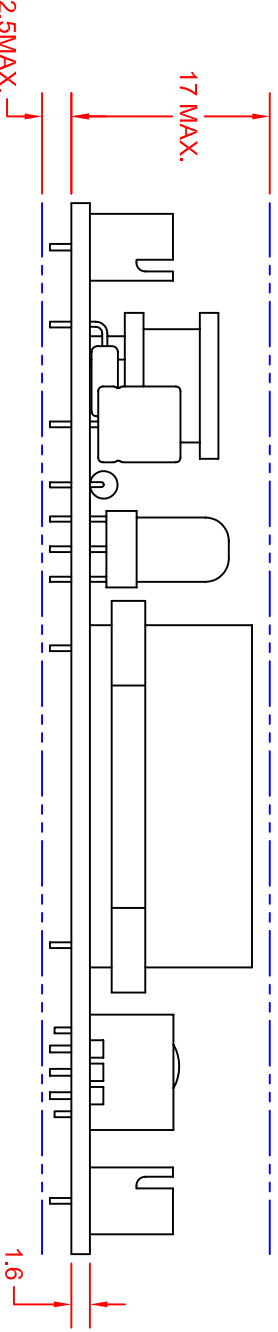
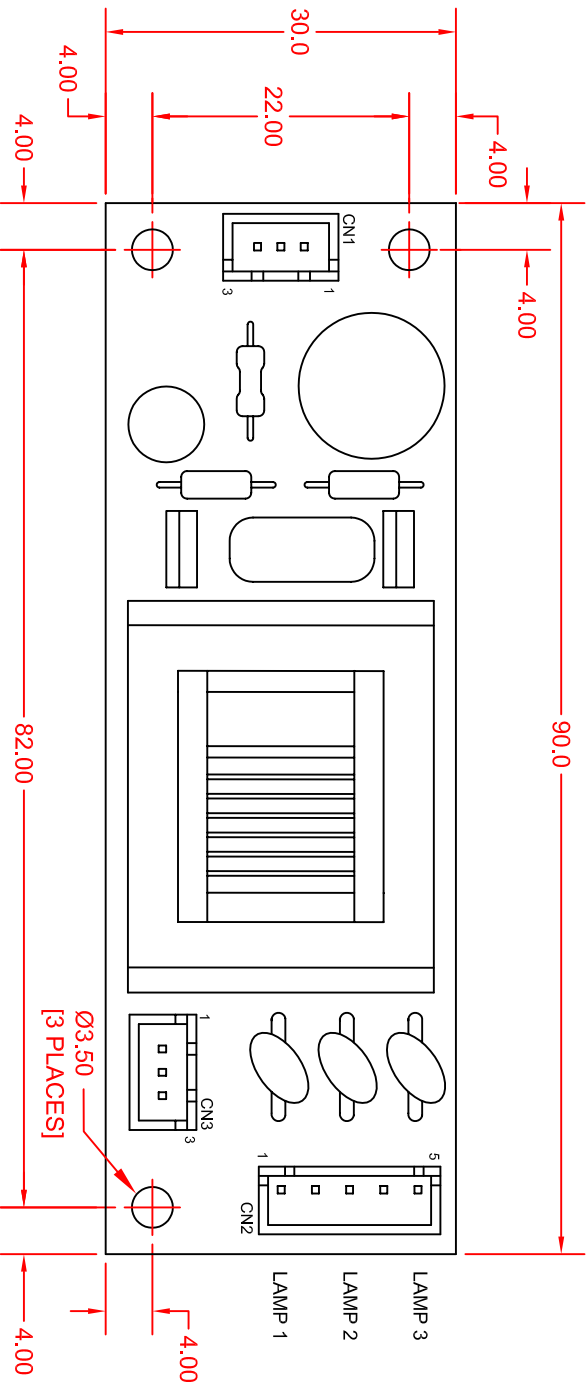


REV.	DESCRIPTION/ECO NO.	DATE
	RELEASED & CANCEL P-0410-15	3/10/05



JKL PART NO.: BXA-12379

NO.	PIN NUMBER	MATING WIRE HARNESS
CN1	1 INPUT VOLTAGE (+V)	BXC-12379/ICON
	2 N/C	
	3 INPUT VOLTAGE (GND)	
CN2	1 OUTPUT HV LAMP 1	BXC-12379/OCON-01
	2 N/C	
	3 OUTPUT HV LAMP 2	
	4 N/C	
	5 OUTPUT HV LAMP 3	
CN3	1 COMMON GROUND,	BXC-12379/OCON-02
	2 LAMPS 1, 2, & 3	
	3	

**OPERATING SPECIFICATIONS**

CHARACTERISTICS	MIN	TYP	MAX
INPUT VOLTAGE: (Vdc)	10.8	12.0	13.2
INPUT CURRENT: (mA)	1250	1350	1450
OUTPUT VOLTAGE: (Vrms)	---	1350	---
OUTPUT CURRENT 3 X (mA)	5.5	6.5	7.5
OUTPUT FREQUENCY: (kHz)	40	45	50
OPERATING TEMP: (CELSIUS)	0	25	60

<p><b>METRIC</b></p> <p>THIRD ANGLE PROJECTION</p>	DIMENSIONS ARE IN MILLIMETERS		<p><b>JKL COMPONENTS CORPORATION</b></p> <p>TITLE: INVERTER (12 VOLT 3 OUTPUT)</p>
	TOLERANCE UNLESS OTHERWISE SPECIFIED		
1 PL +/- 1.0	2 PL +/- 0.5	ANGLE +/- 0	
DRAWN BY: L. WENGSTROM	APP'D BY: J.K.	DATE: 3/10/05	SCALE: NONE
FSCM NO. 55335		DRAWING NO. BXA-12379	RELEASED DATE: 3/10/05
- CAD DRAWING -		MANUAL REVISIONS NOT PERMITTED	REV. NO. SHEET OF

**NOTES:**

- 1) CN1 & CN3 CONNECTOR: B3B-XH-A (JST)
- 2) CN2 CONNECTOR: B5B-XH-A (JST)
- 3) WATTAGE: 12.0 TYP./20.0 MAX.
- 4) MAXIMUM INPUT VOLTAGE: 15.0