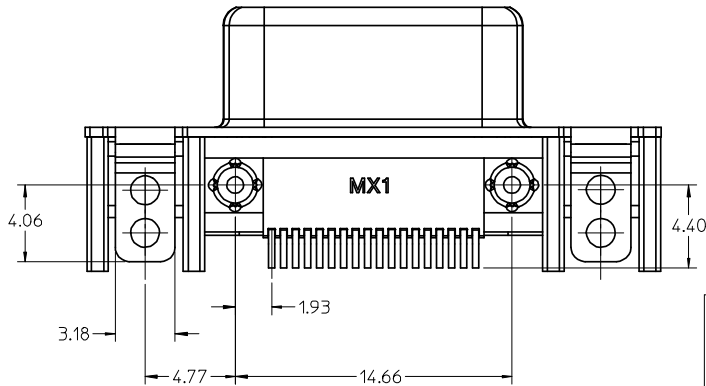
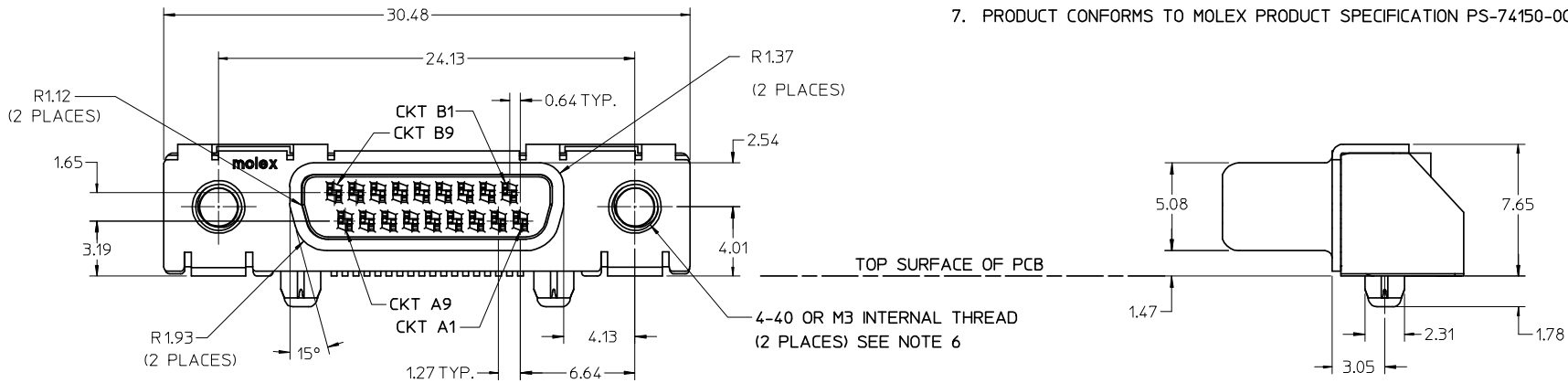
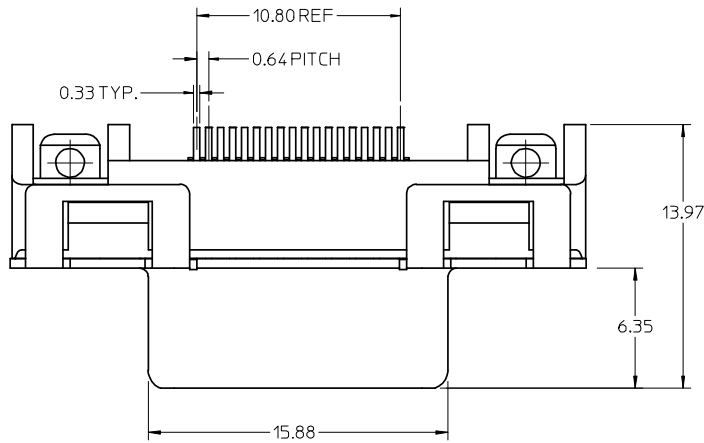
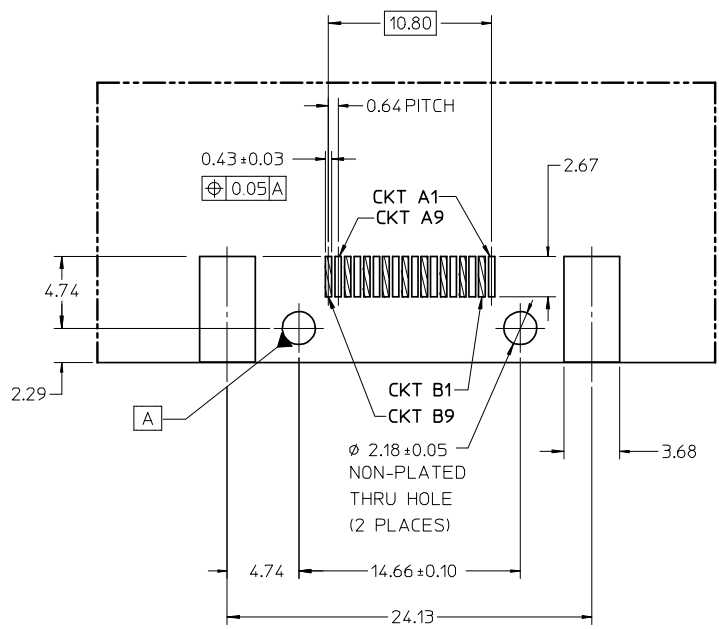


NOTES:

- MATERIALS:**
SHIELD: DEEP DRAWN STEEL
HOUSING: GLASS FILLED POLYMER, BLACK, UL 94V-0
CONTACTS: COPPER ALLOY
- PLATING:**
SHIELD: 2.54 MICROMETERS BRIGHT TIN (Sn) MINIMUM OVER 1.27 MICROMETERS NICKEL (Ni) MINIMUM OVER COPPER (Cu) UNDERPLATE OVERALL.
TERMINAL: SELECTIVE GOLD (Au) IN CONTACT AREA, THICKNESS: 0.38 MICROMETERS MINIMUM, SELECTIVE TIN (Sn) IN TAIL AREA, THICKNESS 2.54 MICROMETERS MINIMUM, NICKEL (Ni) UNDERPLATE OVERALL.
- SMT TAILS AND TWO GROUND TABS ARE COPLANAR WITHIN 0.127mm.
- PARTS ARE PACKAGED IN TAPE AND REEL PER PK-74960-995.
- REFER TO SHEET 2 FOR RECOMMENDED PCB LAYOUT AND PANEL CUT-OUT.
- RECOMMENDED JACK POST MOUNTING HARDWARE (QUANTITY: 2 PER ASSEMBLY). SEE CHART ON SHEET 2 FOR JACK POST NUMBER AND REFER TO SALES DRAWING SD-74962-000.
- PRODUCT CONFORMS TO MOLEX PRODUCT SPECIFICATION PS-74150-001.

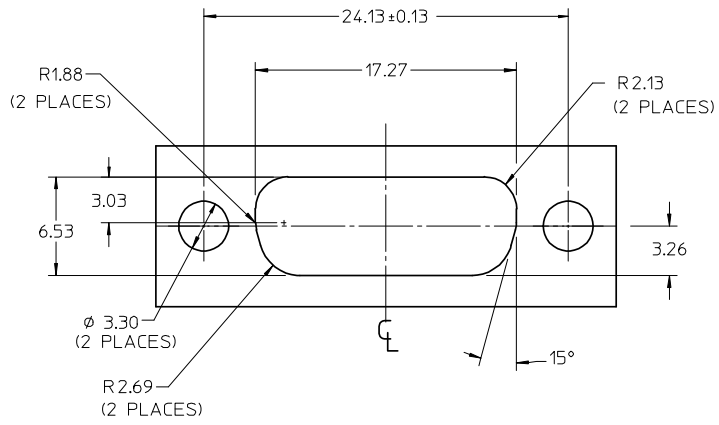


REVD UCP2008-1060 EC NO: UCP2008-1060 DRWN:MCCLLELL 2008/01/25 CHKD:MCCLLELL 2008/01/25 APPR:MBANAKIS 2008/01/28	DESCRIPTION REV	QUALITY SYMBOLS ▽=0 ▽=0	GENERAL TOLERANCES (UNLESS SPECIFIED) <table border="1"> <tr> <th></th> <th>mm</th> <th>INCH</th> </tr> <tr> <td>4 PLACES</td> <td>± ---</td> <td>± ---</td> </tr> <tr> <td>3 PLACES</td> <td>± ---</td> <td>± ---</td> </tr> <tr> <td>2 PLACES</td> <td>± 0.13</td> <td>± ---</td> </tr> <tr> <td>1 PLACE</td> <td>± ---</td> <td>± ---</td> </tr> </table>		mm	INCH	4 PLACES	± ---	± ---	3 PLACES	± ---	± ---	2 PLACES	± 0.13	± ---	1 PLACE	± ---	± ---	DIMENSION STYLE MM ONLY	SCALE 5:1	DESIGN UNITS INCH	THIRD ANGLE PROJECTION
			mm	INCH																		
		4 PLACES	± ---	± ---																		
		3 PLACES	± ---	± ---																		
2 PLACES	± 0.13	± ---																				
1 PLACE	± ---	± ---																				
DRAFT WHERE APPLICABLE MUST REMAIN WITHIN DIMENSIONS			DRAWN BY DMORGAN	DATE 05/01/12	TITLE SALES DRAWING 1X PCIE 18 CIRCUIT RECEPTACLE ASSEMBLY																	
MATERIAL NO. SEE CHART			CHECKED BY BBARKER	DATE 05/01/12	MOLEX INCORPORATED																	
SIZE SEE CHART			APPROVED BY SMILLER	DATE 05/01/12	DOCUMENT NO. SD-74150-001	SHEET NO. 1 OF 2																



NOTE: CIRCUIT PADS B1 THRU B9 ARE HATCHED FOR CLARIFICATION.
RECOMMENDED PCB LAYOUT

NOTES:
1. DIMENSIONS SHOWN ABOUT A CENTERLINE, THAT ARE NOT DIMENSIONED ARE SYMMETRICAL ABOUT THAT CENTERLINE WITHIN HALF THE SPECIFIED TOLERANCE.



RECOMMENDED PANEL CUTOUT
PANEL THICKNESS 0.51 MINIMUM TO 1.02 MAXIMUM

RECOMMENDED JACKPOST INTERNAL THREAD OPTIONS (SEE NOTE 6 ON SHEET 1)	
4-40	M3
74962-0001	74962-0002

4-40 THREAD
INTERNAL THREAD

MATERIAL NUMBER	INTERNAL THREAD	
74150-0001	4-40	
74150-0002	M3	CONTACT PRODUCT MARKETING

SEE SHEET 1 EC NO: UCP2008-1060 DRWN:TMCCLELL 2008/01/25 CHKD:TMCCLELL 2008/01/25 APPR:MBANAKIS 2008/01/28	QUALITY SYMBOLS ▽=0 ▽=0	GENERAL TOLERANCES (UNLESS SPECIFIED)		DIMENSION STYLE MM ONLY		SCALE 4:1	DESIGN UNITS INCH	THIRD ANGLE PROJECTION	
		4 PLACES ± --- ± --- 3 PLACES ± --- ± --- 2 PLACES ± 0.13 ± --- 1 PLACE ± --- ± ---	mm INCH	DRAWN BY DMORGAN	DATE 05/01/12	TITLE SALES DRAWING 1X PCIE 18 CIRCUIT RECEPTACLE ASSEMBLY			
		ANGULAR ±1/2°		CHECKED BY BBARKER	DATE 05/01/12	MOLEX INCORPORATED			
		DRAFT WHERE APPLICABLE MUST REMAIN WITHIN DIMENSIONS		APPROVED BY SMILLER	DATE 05/01/12	MATERIAL NO. SEE CHART	DOCUMENT NO. SD-74150-001	SHEET NO. 2 OF 2	

THIS DRAWING CONTAINS INFORMATION THAT IS PROPRIETARY TO MOLEX INCORPORATED AND SHOULD NOT BE USED WITHOUT WRITTEN PERMISSION