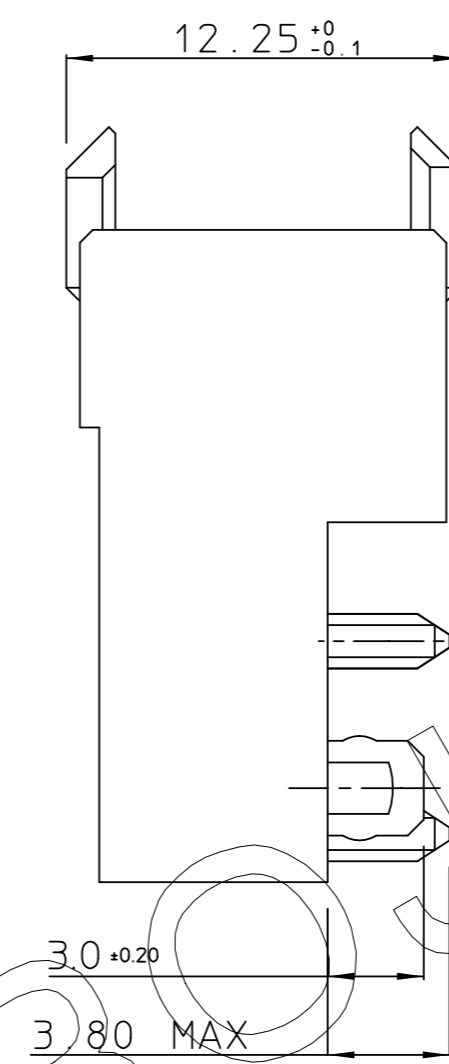
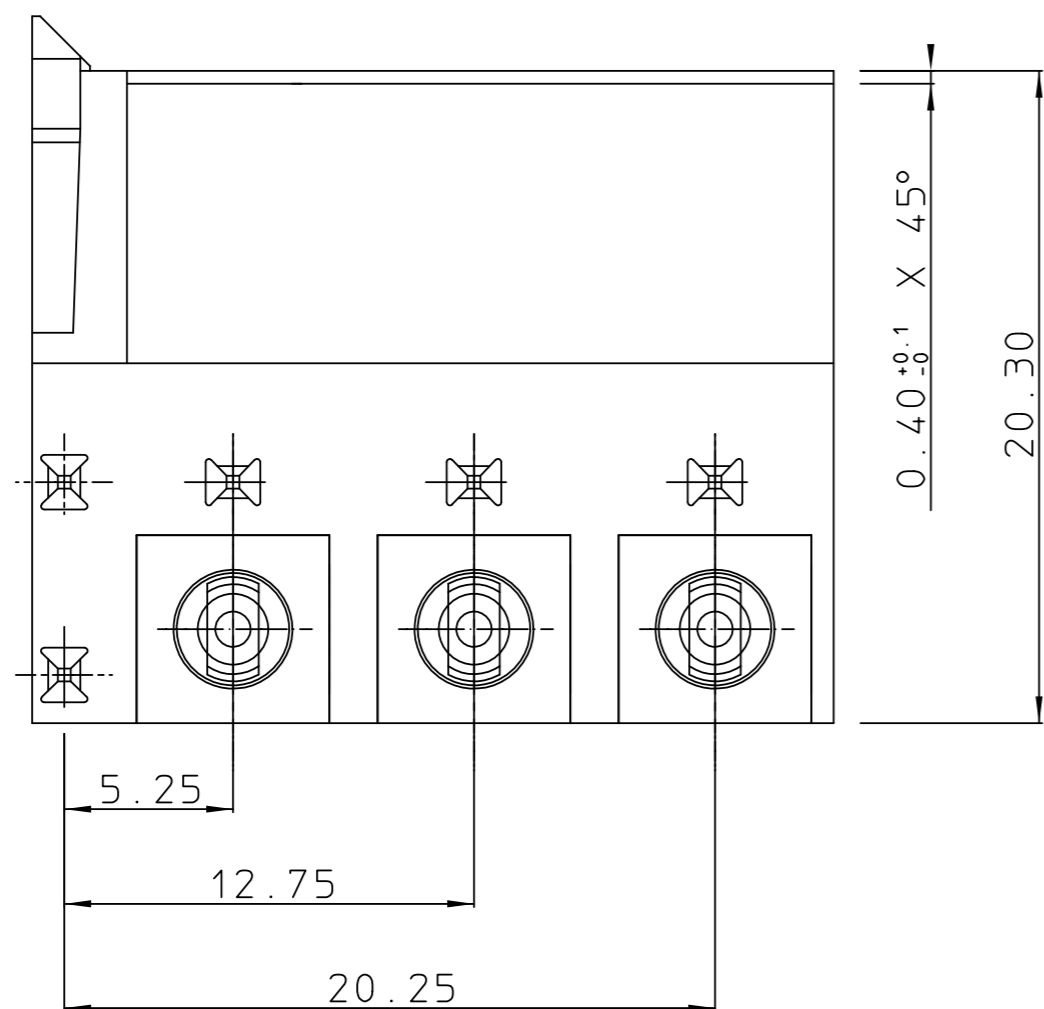


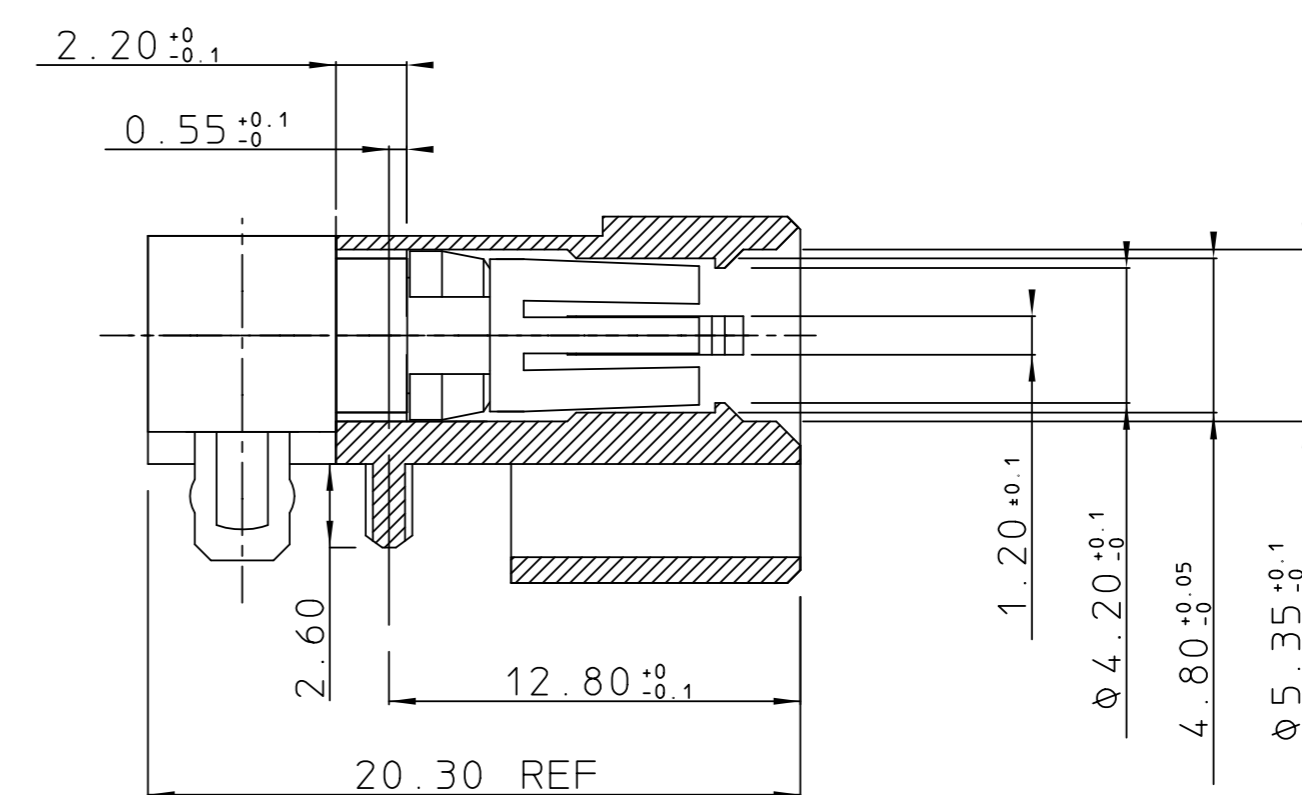
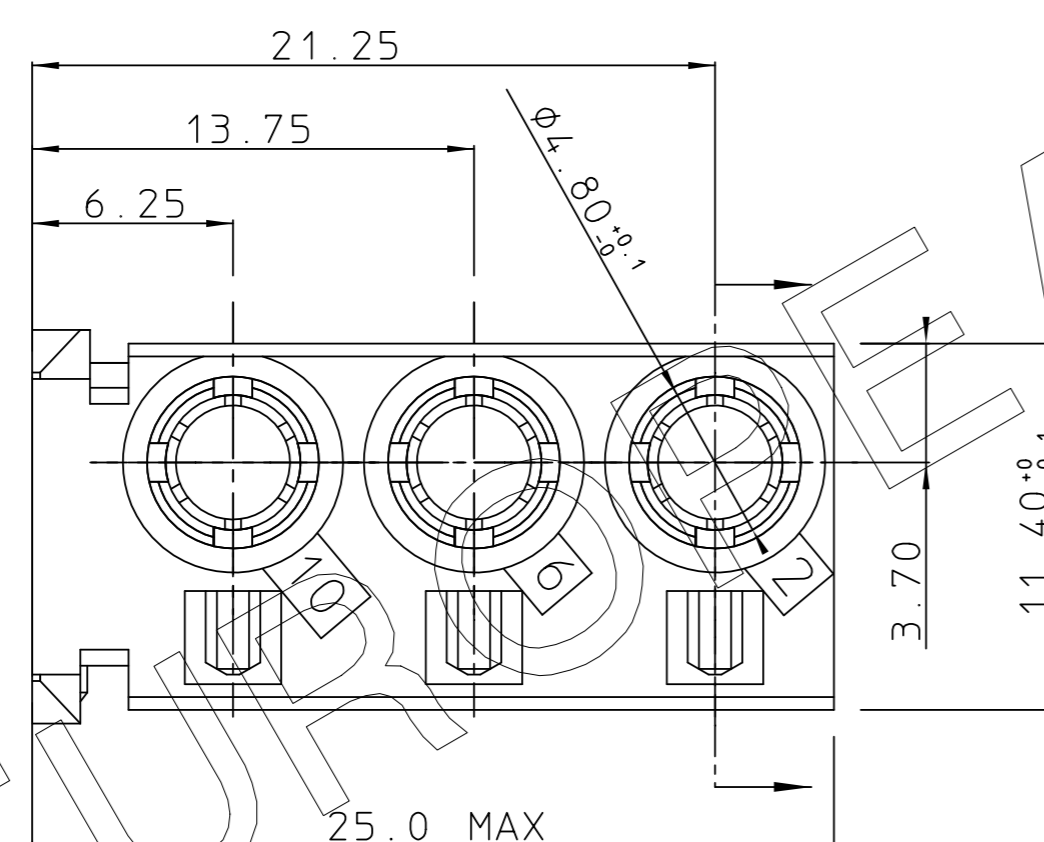
REV.	DATE	DESCRIPTION	BY	C'K'D'
A	14-09-01	CONVERSION REVISION 02	KN	



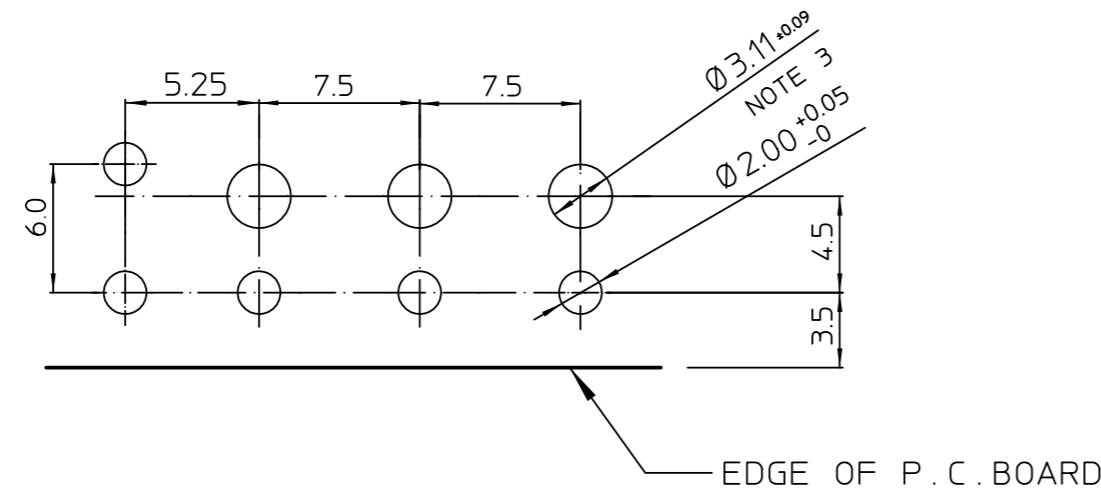
- NOTES:
- THIS PRODUCT IS UL RECOGNIZED.
THIS PRODUCT IS CSA APPROVED.
 - FOR PRE-ASSEMBLED POWER PRESS-FIT CONTACT
DETAIL, SEE DRAW.NR.: BS,A , 201624,020
 - PCB HOLE DEFINITION:

Ø drilled hole	Cu plating	SnPb plating	Ø finished hole after reflow
3.19 - 3.25	25 µm min.	5 µm min.	3.02 - 3.20

- PLATING: 1.5µm Au over 2.0µm Ni
- ALLOWED PCB THICKNESS: MIN 1.6 MM.
- MAX. CURRENT = 40 A



LAY-OUT
P.C.B. - HOLE



THIS IS OUR EXCLUSIVE PROPERTY. IT IS NOT TO BE COPIED, REPRINTED OR DISCLOSED TO A THIRD PARTY, NOR USED FOR MANUFACTURING WITHOUT OUR WRITTEN CONSENT, AND HAS TO BE RETURNED TO US IN CASE OF NO USAGE

DIT IS ONZE EIGENDOM EN MAG NOCH NAGEMAAKT, HERDRUKT, OVERGEMAAKT AAN DERDEN, NOCH VOOR FABRIKATIE GEBRUIKT WORDEN, ZONDER ONZE SCHRIFTELIJKE TOELATING. BIJ NIET GEBRUIK IS TERUGZENDING VERPLICHT.

FEMALE PRE-ASSEMBLED POWER PRESS-FIT CONNECTOR

1DEC ± 0,2 1DEC 2DEC ± 0,1 2DEC ANGLES ± 1° HOEKEN	APPR. DRAFT CHECKED	DATE 25-02-98	SIGN. M.Fret	MILLIPACS 2 / TYPE N / PRE-ASS.CONN.
WE RESERVE THE RIGHT TO CHANGE DIMENSIONS OR REQUIREMENTS WITHOUT PRIOR NOTICE.	PROD. MGR. PR. ENG. MGR. PR. MGT. MGR.			CAT. No. HM2E32PH5000
ALL DIMENSIONS IN MM	REFERENCES / REFERENTIES			SCALE 3 / 1
ALLE AFMETINGEN IN MM				BS,C , 202444 , 004 DRAWING No. CUSTOMER DRAWING REVISION A