

HC-K-KV-M32(15-21)


Order No.: 1690642

The illustration shows version HC-K-KV-M20

<http://eshop.phoenixcontact.de/phoenix/treeViewClick.do?UID=1690642>

Plastic screw connection up to 5 bar, thread length: 10 mm, cable diameter: 15 - 21 mm, WAF 36, screw connection: M32

Commercial data

GTIN (EAN)	 4 017918 822873
sales group	D290
Pack	10 pcs.
Customs tariff	39269097
Catalog page information	Page 520 (PC-2009)

Product notes

WEEE/RoHS-compliant since:
02/16/2006



<http://www.download.phoenixcontact.com>
Please note that the data given here has been taken from the online catalog. For comprehensive information and data, please refer to the user documentation. The General Terms and Conditions of Use apply to Internet downloads.

Technical data

General data

Type of the screw connection	M32
Cable gland material	Polyamide, RAL 7035
Seal material	Neoprene
Cable seal material	Neoprene
Wrench size, union nut	36 mm

Wrench size, support	36 mm
Thread type connection side 1	M32
Length of the connecting thread	10.00 mm
External cable diameter	15 mm ... 21 mm
Conductor sealing range	15.00 mm ... 21.00 mm
Tightening torque, union nut	10.00 Nm
Inflammability class acc. to UL 94	V2
Degree of protection	IP68, to 5 bar
Color	Silver gray
Ambient temperature (operation)	-20 °C ... 100 °C

Certificates / Approvals

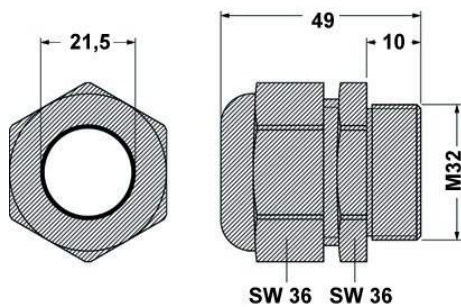


Certification

GOST

Diagrams/Drawings

Dimensioned drawing



Address

PHOENIX CONTACT Deutschland GmbH
Flachmarktstr. 8
32825 Blomberg, Germany
Phone +49 5235 3 12000
Fax +49 5235 3 41200
<http://www.phoenixcontact.de>



© 2010 Phoenix Contact
Technical modifications reserved;