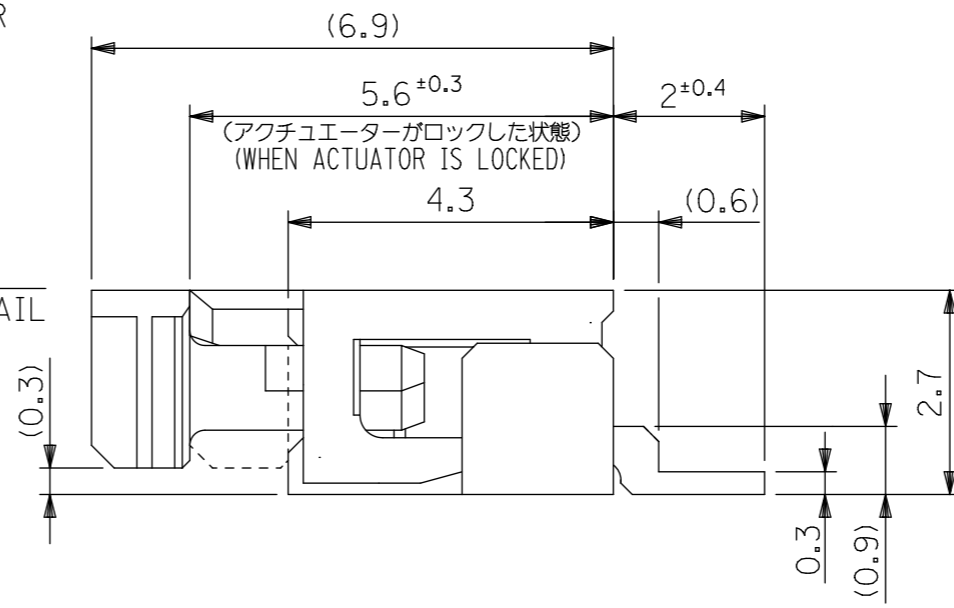
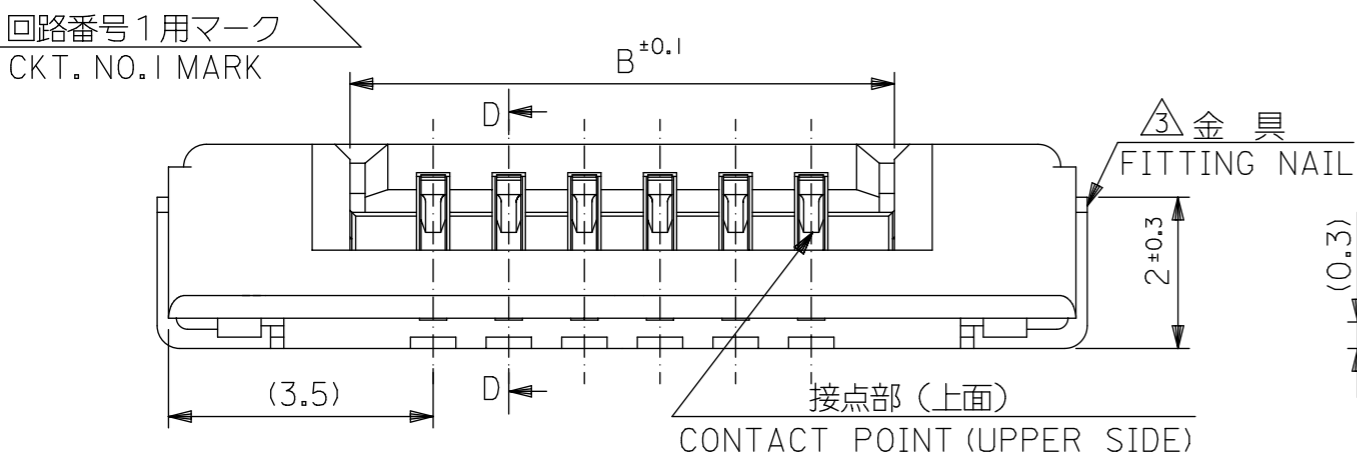
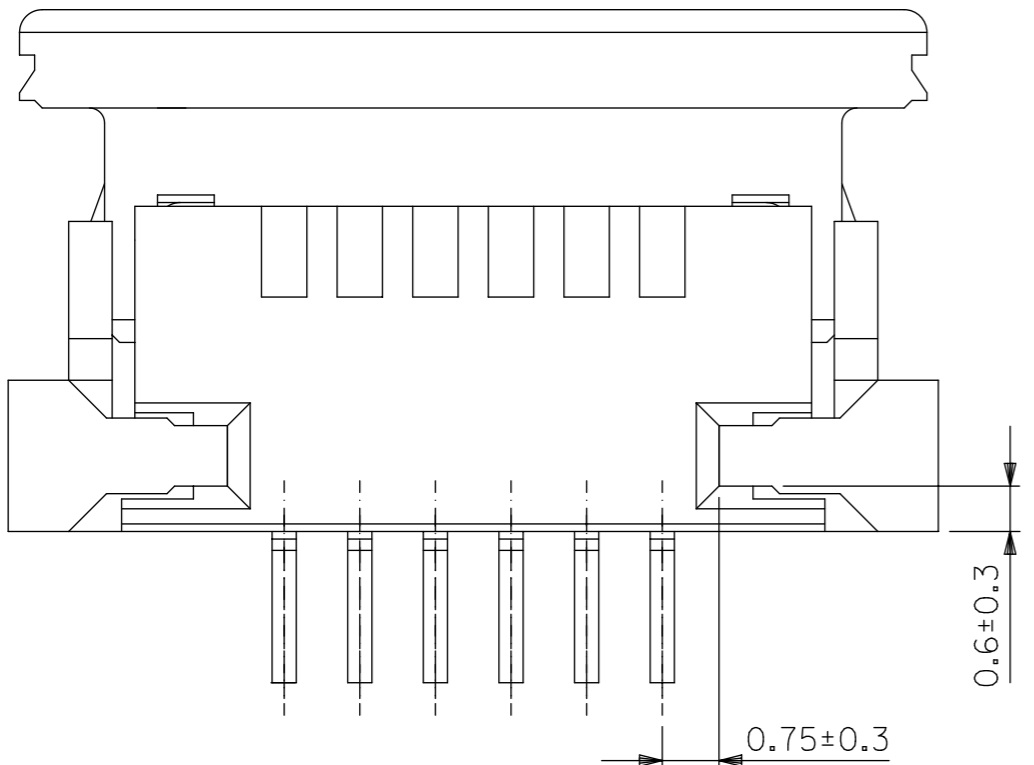


断面D-D  
SECT.D-D



38.7	35.2	33	52207-3485	34
34.7	31.2	29	52207-3085	30
33.7	30.2	28	52207-2985	29
32.7	29.2	27	52207-2885	28
31.7	28.2	26	52207-2785	27
30.7	27.2	25	52207-2685	26
29.7	26.2	24	52207-2585	25
28.7	25.2	23	52207-2485	24
27.7	24.2	22	52207-2385	23
26.7	23.2	21	52207-2285	22
25.7	22.2	20	52207-2185	21
24.7	21.2	19	52207-2085	20
23.7	20.2	18	52207-1985	19
22.7	19.2	17	52207-1885	18
21.7	18.2	16	52207-1785	17
20.7	17.2	15	52207-1685	16
19.7	16.2	14	52207-1585	15
18.7	15.2	13	52207-1485	14
17.7	14.2	12	52207-1385	13
16.7	13.2	11	52207-1285	12
15.7	12.2	10	52207-1185	11
14.7	11.2	9	52207-1085	10
13.7	10.2	8	52207-0985	9
12.7	9.2	7	52207-0885	8
11.7	8.2	6	52207-0785	7
10.7	7.2	5	52207-0685	6
9.7	6.2	4	52207-0585	5
8.7	5.2	3	52207-0485	4
7.7	4.2	2	52207-0385	3
C	B	A	EMBOSSED PACKAGE ORDER NO.	極数 CIRCUITS



THIS DRAWING CONTAINS INFORMATION THAT IS PROPRIETARY TO MOLEX ELECTRONIC TECHNOLOGIES, LLC AND SHOULD NOT BE USED WITHOUT WRITTEN PERMISSION

DIMENSION UNITS	SCALE	CURRENT REV DESC.
mm	NTS	
GENERAL TOLERANCES (UNLESS SPECIFIED)		
ANGULAR TOL	±	°
4 PLACES	±	
3 PLACES	±	
2 PLACES	±	
1 PLACE	±	
0 PLACES	±	
DRAFT WHERE APPLICABLE MUST REMAIN WITHIN DIMENSIONS		
THIRD ANGLE PROJECTION		
DRAWING		
SERIES		
MATERIAL NUMBER		
CUSTOMER		
SHEET NUMBER		

EC NO: 719890  
DRWN: NARENC 2022/08/22  
CHK'D: SMARUYAMA 2022/09/05  
APPR: YNAITO 2022/09/05

INITIAL REVISION:  
DRWN: MNINOMIYA 2004/02/18  
APPR: MSASAO 2004/02/18

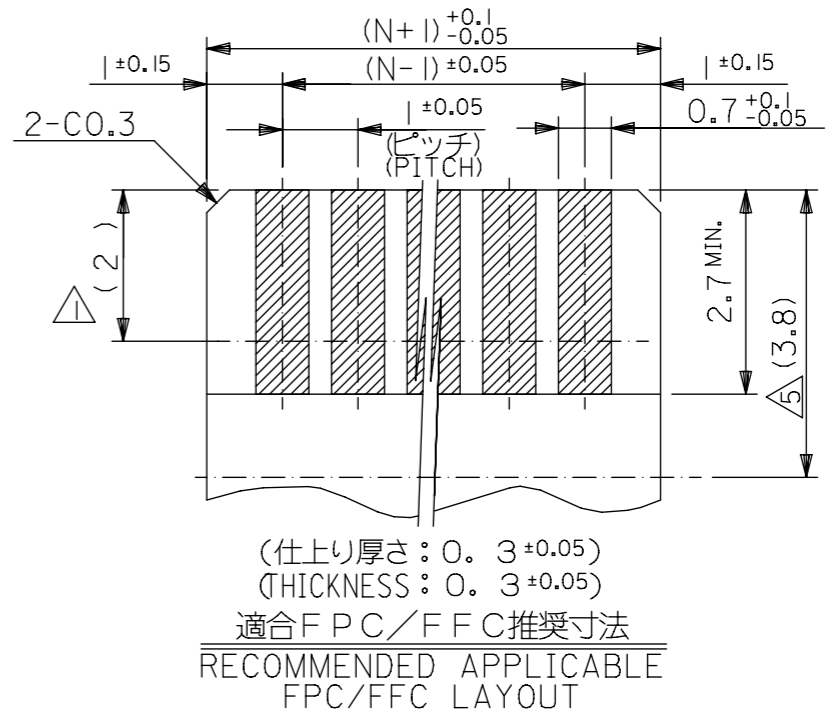
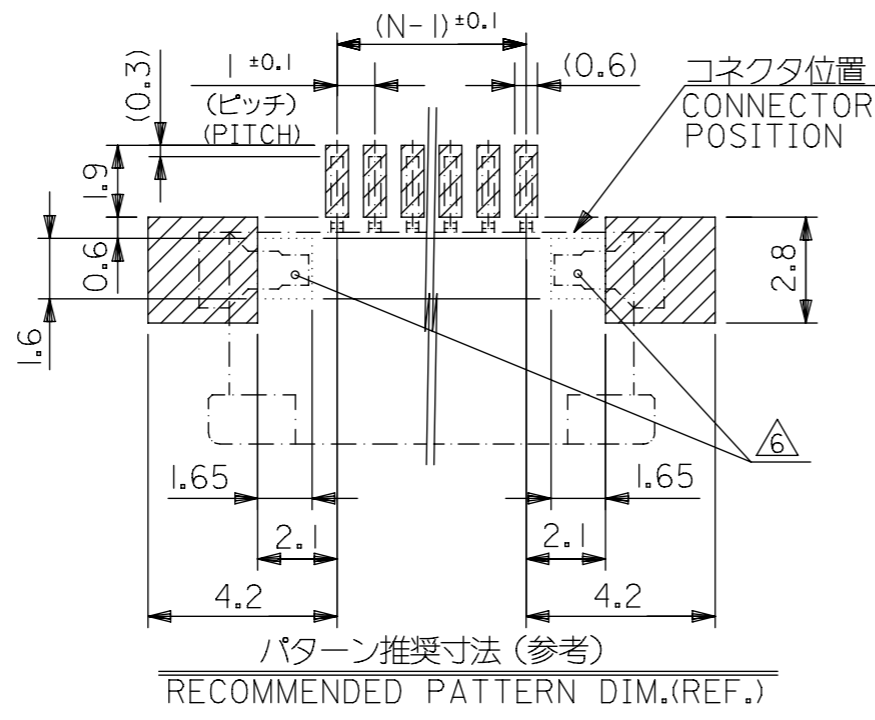
**molex**

1.0 PITCH FPC CONN.  
ZIF SMT -LEAD FREE-

PRODUCT CUSTOMER DRAWING

DOCUMENT NUMBER: SD-52207-060  
DOC TYPE: PSD  
DOC PART: 001  
REVISION: F

SEE TABLE GENERAL MARKET 1 OF 2



注記 NOTES

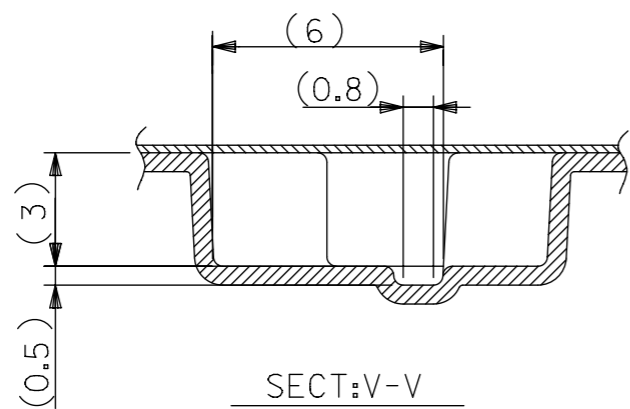
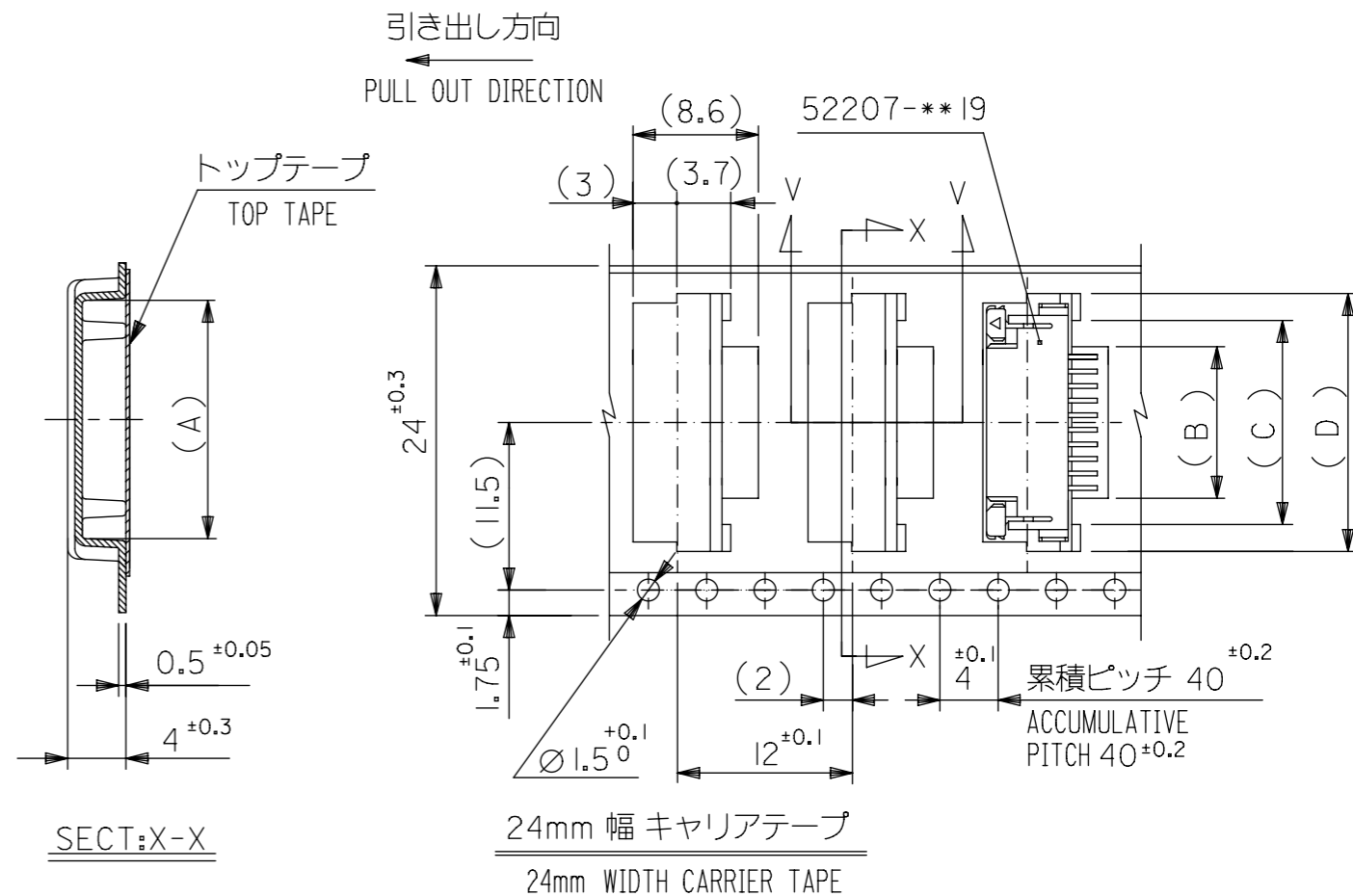
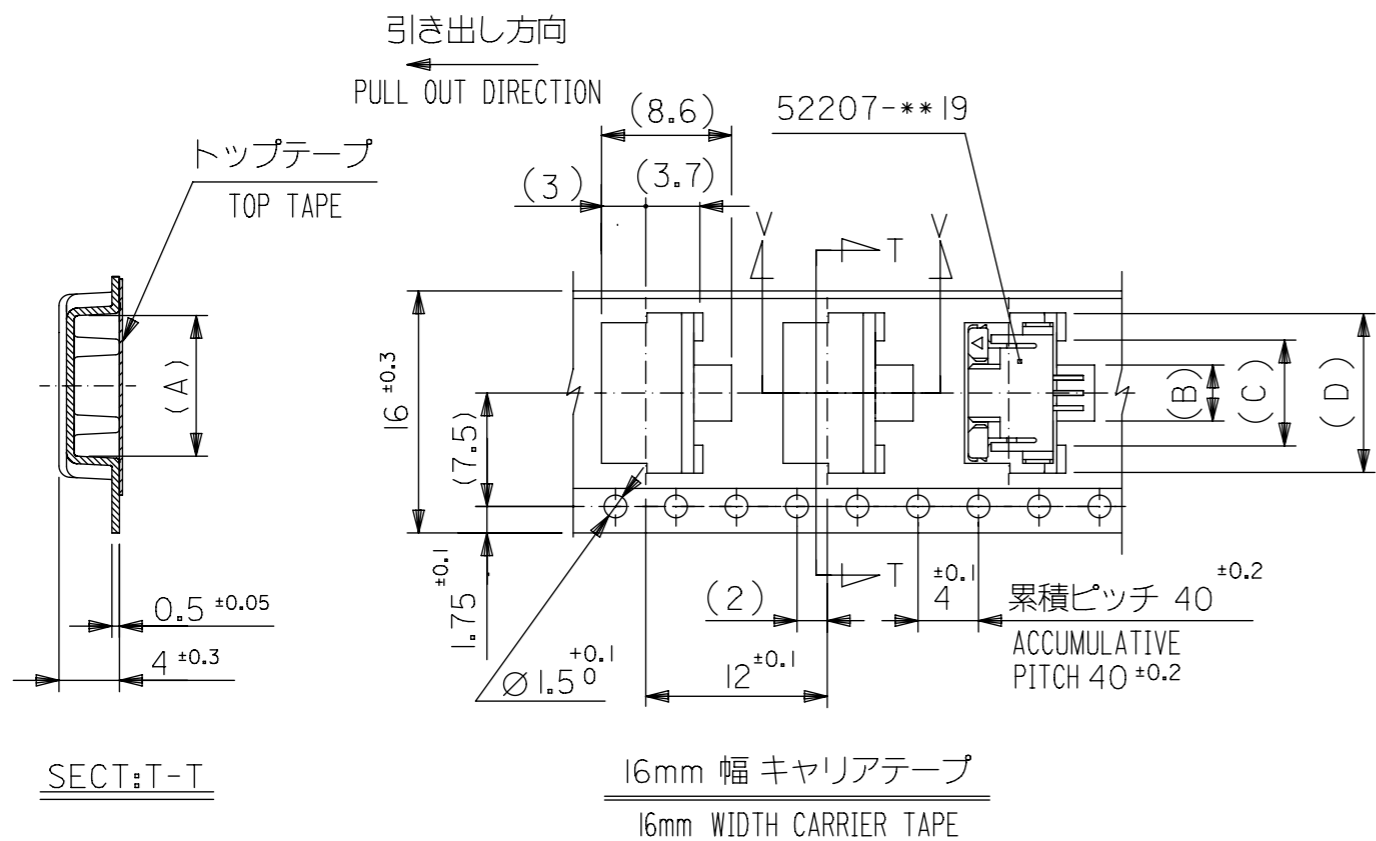
- △ 接点部までの嵌合長さ。  
LENGTH TO CONTACT POINT.
- 2. 使用材料 MATERIAL
  - ハウジング : 46ナイロン (耐熱性), UL94V-0  
HOUSING : 46NYLON, UL94V-0
  - アクチュエータ : PPS, UL94V-0  
ACTUATOR : PPS, UL94V-0
  - ターミナル : リン青銅  
TERMINAL : PHOSPHOR BRONZE
  - 錫・ビスマスメッキ 1.0マイクロメートル以上  
: TIN BISMUTH 1.0 MICROMETER MINIMUM
  - ニッケル下地 1.0マイクロメートル以上  
: NICKEL (UNDER PLATING) 1.0 MICROMETER MINIMUM
  - 銅合金
  - 金具 FITTING NAIL : COPPER ALLOY
  - 錫メッキ 1.0マイクロメートル以上  
: TIN 1.0 MICROMETER MINIMUM
  - ニッケル下地 1.0マイクロメートル以上  
: NICKEL (UNDER PLATING) 1.0 MICROMETER MINIMUM
- ③ パターンはくり止め用金具  
FITTING NAIL FOR PREVENTION OF PEELING OF P.C.B. PATTERN.
- 4. エンボステーブ梱包時は、アクチュエータがロックした状態とする。  
IN THE PACKAGE, ACTUATOR OF PART NO. 52207-\*\*-19 SHOULD BE LOCKED.
- △ ケーブル挿入深さ  
INSERTION DEPTH OF CABLE.
- ⑥ パターン書き込み禁止エリア。  
NO FOOT PRINT AREA.
- 7. 本製品は 52207-\*\*-17 の鉛フリー品である。  
THIS PRODUCT IS LEAD FREE OF 52207-\*\*-17.
- 8. ELV及びRoHS適合品  
ELV AND RoHS COMPLIANT

FPCについて:

打抜き方向は導体側から補強板を推奨致します。  
補強フィルム材質はポリイミドを推奨致します。  
接着剤は熱硬化接着剤を推奨致します。

ABOUT FPC:  
RECOMMENDED PUNCHER DIRECTION : FROM CONDUCTOR SIDE TO STIFFENER BOARD SIDE.  
RECOMMENDED MATERIAL :  
STIFFENER FILM : POLYIMIDE  
BONDING AGENT : THERMOSETTING BONDING AGENT

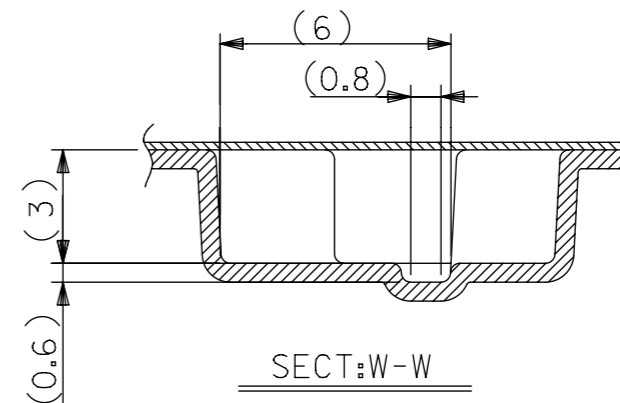
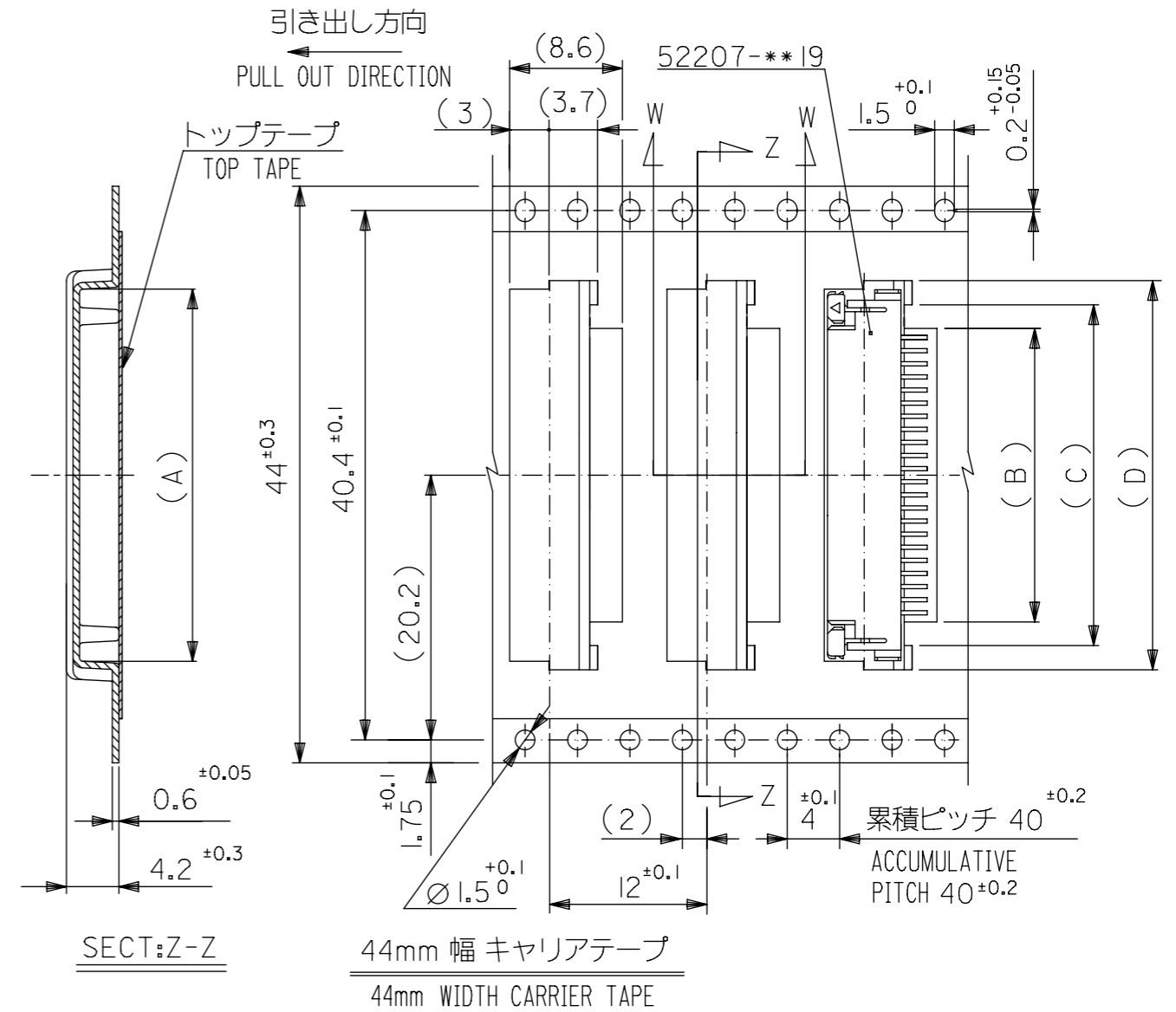
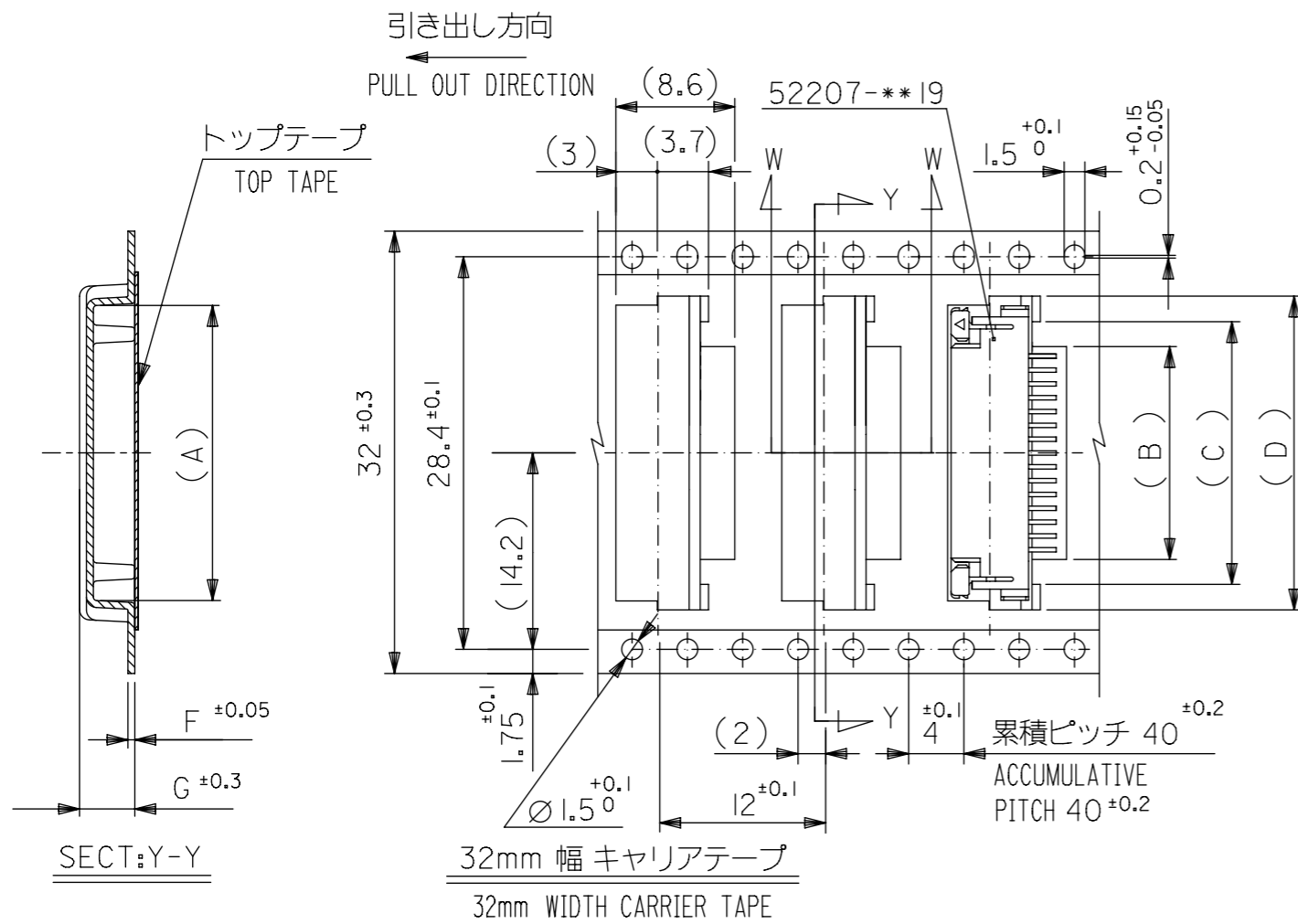
THIS DRAWING CONTAINS INFORMATION THAT IS PROPRIETARY TO MOLEX ELECTRONIC TECHNOLOGIES, LLC AND SHOULD NOT BE USED WITHOUT WRITTEN PERMISSION		CURRENT REV DESC:		<b>molex</b>	
DIMENSION UNITS	SCALE				
mm	NTS			1.0 PITCH FPC CONN. ZIF SMT -LEAD FREE-	
GENERAL TOLERANCES (UNLESS SPECIFIED)		ANGULAR TOL ± °		PRODUCT CUSTOMER DRAWING	
4 PLACES	±	EC NO: 719890	2022/08/22	DOCUMENT NUMBER	
3 PLACES	±	DRWN: NARENC	2022/09/05	DOC TYPE DOC PART REVISION	
2 PLACES	±	CHK'D: SMARUYAMA	2022/09/05	SD-52207-060	
1 PLACE	±	APPR: YNAITO	2022/09/05	PSD 001 F	
0 PLACES	±	INITIAL REVISION:		MATERIAL NUMBER	
DRAFT WHERE APPLICABLE MUST REMAIN WITHIN DIMENSIONS		DRWN: MNINOMIYA	2004/02/18	CUSTOMER	
THIRD ANGLE PROJECTION		APPR: MSASAO	2004/02/18	GENERAL MARKET	
DRAWING		SERIES		SHEET NUMBER	
A3-SIZE		52207		2 OF 2	



	24	29.4	25.4	18.5	15	11.7	17.3	52207-1185	11
				17.5	14	10.7	16.3	4 -1085	10
				16.5	13	9.7	15.3	-0985	9
				15.5	12	8.7	14.3	-0885	8
				14.5	11	7.7	13.3	-0785	7
				13.5	10	6.7	12.3	-0685	6
				12.5	9	5.7	11.3	-0585	5
				11.5	8	4.7	10.3	▽ -0485	4
52207-***85	16	21.4	17.4	10.5	7	3.7	9.3	52207-0385	3
MODEL NO.	キャリアテープ幅 CARRIER TAPE WIDTH	H	E	(D)	(C)	(B)	(A)	MATERIAL NO.	極数 CKT.

THIS DRAWING CONTAINS INFORMATION THAT IS PROPRIETARY TO MOLEX ELECTRONIC TECHNOLOGIES, LLC AND SHOULD NOT BE USED WITHOUT WRITTEN PERMISSION

<b>GENERAL TOLERANCES (UNLESS SPECIFIED)</b> 10 <sup>UNDER</sup> ±0.2 10 <sup>OVER</sup> 30 <sup>UNDER</sup> ±0.25 30 <sup>OVER</sup> ±0.3 ANGULAR ±3°		DIMENSION UNITS: mm SCALE: NTS ANGULAR TOL: ± ° 4 PLACES ± 3 PLACES ± 2 PLACES ± 1 PLACE ± 0 PLACES ± DRAFT WHERE APPLICABLE MUST REMAIN WITHIN DIMENSIONS		CURRENT REV DESC: EC NO: 719890 DRWN: NARENC CHK'D: SMARUYAMA APPR: YNAITO INITIAL REVISION: DRWN: MNINOMIYA APPR: MSASAO		<b>molex</b> EMBOSSSED TAPE PACKAGE FOR 52207-***19 -LEAD FREE- PRODUCT CUSTOMER DRAWING		DOCUMENT NUMBER: SD-52207-061 DOC TYPE: PSD DOC PART: 001 REVISION: D		MATERIAL NUMBER: SEE TABLE CUSTOMER: GENERAL MARKET SHEET NUMBER: 1 OF 3	
--	--	--	--	--	--	--	--	--	--	--	--

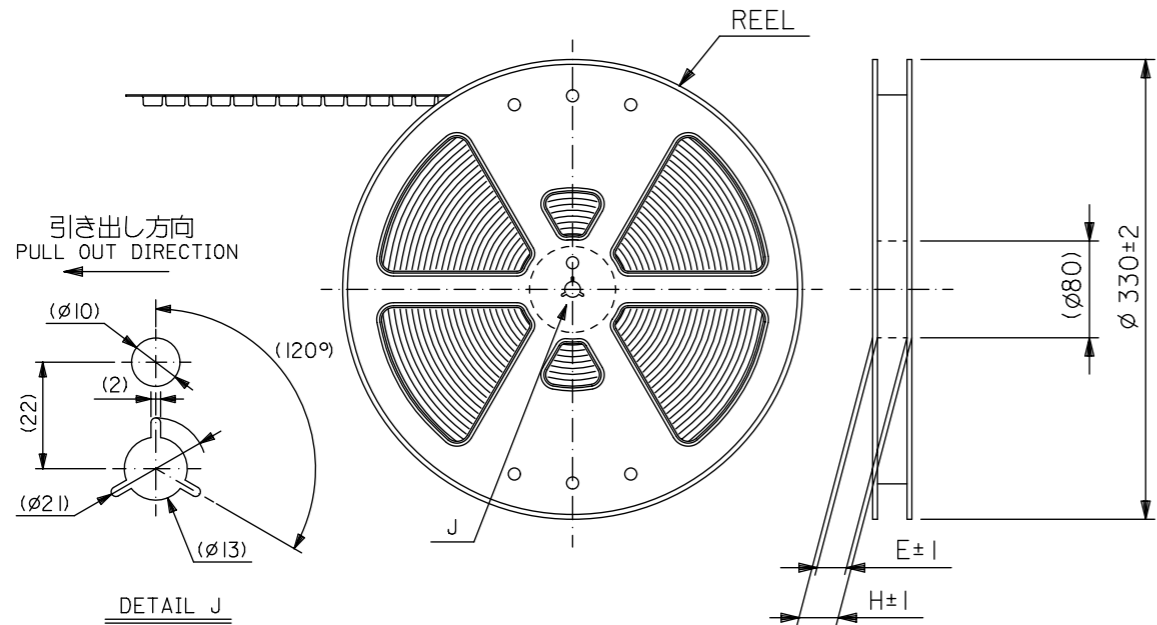


32	37.4	33.4	4.0	0.5	23.5	20	16.7	22.35	52207-1685	16
			4.2	0.6	22.5	19	15.7	21.35	4-1585	15
			4.2	0.6	21.5	18	14.7	20.35	-1485	14
			4.2	0.6	20.5	17	13.7	19.35	7-1385	13
			4.2	0.6	19.5	16	12.7	18.35	52207-1285	12
キャリアテープ幅 CARRIER TAPE WIDTH	H	E	(G)	(F)	(D)	(C)	(B)	(A)	MATERIAL NO.	極数 CKT.

44	49.4	45.4	34.5	31	27.7	33.35	52207-2785	27
			33.5	30	26.7	32.35	4-2685	26
			32.5	29	25.7	31.35	-2585	25
			31.5	28	24.7	30.35	-2485	24
			30.5	27	23.7	29.35	-2385	23
			29.5	26	22.7	28.35	-2285	22
			28.5	25	21.7	27.35	-2185	21
			27.5	24	20.7	26.35	-2085	20
			26.5	23	19.7	25.35	-1985	19
			25.5	22	18.7	24.35	7-1885	18
24.5	21	17.7	23.35	52207-1785	17			
キャリアテープ幅 CARRIER TAPE WIDTH	H	E	(D)	(C)	(B)	(A)	MATERIAL NO.	極数 CKT.

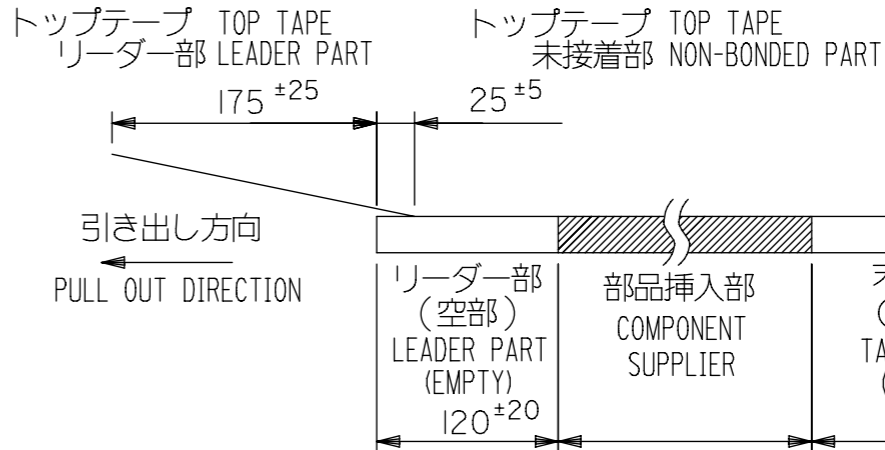
DOCUMENT STATUS	P1	RELEASE DATE	2022/09/05	05:51:49
-----------------	----	--------------	------------	----------

THIS DRAWING CONTAINS INFORMATION THAT IS PROPRIETARY TO MOLEX ELECTRONIC TECHNOLOGIES, LLC AND SHOULD NOT BE USED WITHOUT WRITTEN PERMISSION		CURRENT REV DESC:			
DIMENSION UNITS	SCALE	EC NO: 719890			
mm	NTS	DRWN: NARENC 2022/08/22		EMBOSSSED TAPE PACKAGE FOR 52207-19 -LEAD FREE-	
GENERAL TOLERANCES (UNLESS SPECIFIED)		CHK'D: SMARUYAMA 2022/09/05		PRODUCT CUSTOMER DRAWING	
10 <sup>UNDER</sup>	±0.2	APPR: YNAITO 2022/09/05		DOCUMENT NUMBER	
10 <sup>OVER</sup> 30 <sup>UNDER</sup>	±0.25	INITIAL REVISION:		SD-52207-061	
30 <sup>OVER</sup>	±0.3	DRWN: MNINOMIYA 2004/02/18		DOC TYPE DOC PART REVISION	
ANGULAR	±3°	APPR: MSASAO 2004/02/18		PSD 001 D	
DRAFT WHERE APPLICABLE MUST REMAIN WITHIN DIMENSIONS		THIRD ANGLE PROJECTION	DRAWING	SERIES	MATERIAL NUMBER
			A3-SIZE	52207	CUSTOMER
				SEE TABLE	GENERAL MARKET
				SHEET NUMBER	
				2 OF 3	



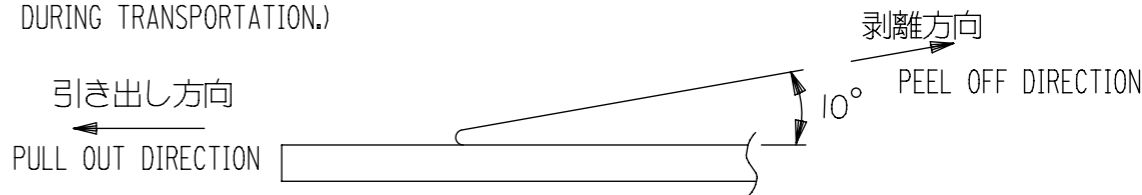
**注記**

- 製品番号 52207-\*\*-19 の梱包状態はアクチュエータがロックした状態とする。  
 詳細寸法については図面 SD-52207-060 を参照下さい。  
 IN THE PACKAGE, ACTUATOR OF PART NO. 52207-\*\*-19 SHOULD BE LOCKED  
 RE DETAILED DIMENSIONS, SEE SD-52207-060
- 梱包数量：1000個/リール  
 NUMBER OF CONNECTORS：1000PCS/REEL
- リードテープ長さ(LEAD TAPE LENGTH)



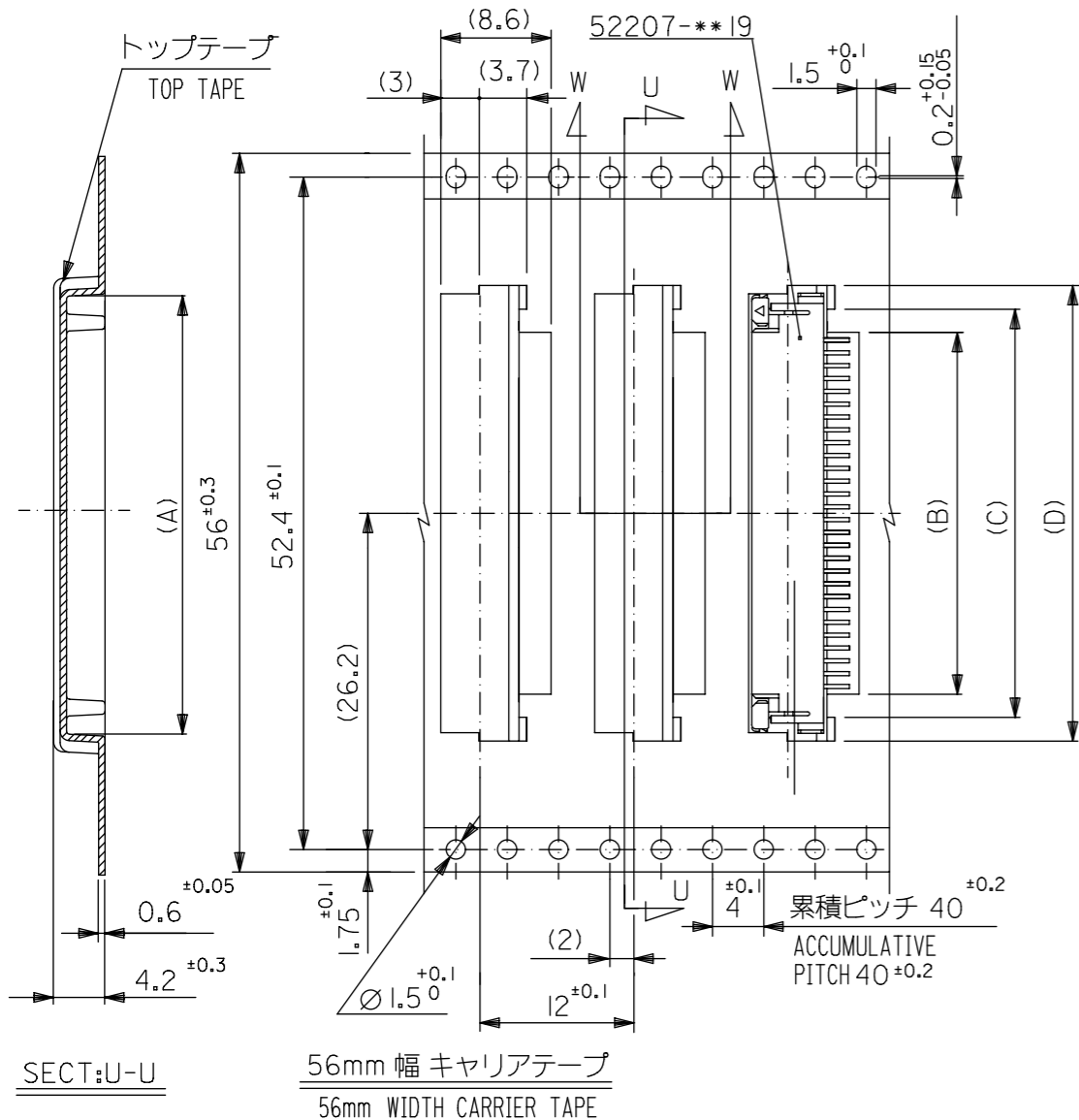
- 本製品は 52207-\*\*-90 の鉛フリー品である。  
 THIS PRODUCT IS LEAD FREE OF 52207-\*\*-90.
- 本製品は乾燥剤入り、ハイバリア梱包仕様である。  
 THIS PRODUCT IS HIGH BARRIER  
 PACKAGE WITH DESICCANT.

- トップテープの剥離強度：(剥離方向は下図参照)  
 0.1N ~ 1.3N(10gf ~ 130gf)MAX.尚、本規格値は、出荷時に適用。  
 (但し、輸送時に剥離が発生しない事。)  
 PEELING OFF FORCE OF TOP TAPE :0.1N ~ 1.3N(10gf ~ 130gf) MAX.  
 (PEELING DIRECTION AS SHOWN IN FOLLOWING FIG.)  
 THIS REQUIREMENT SHOULD BE APPLIED AT SHIPMENT. (PEEL OFF SHOULD NOT BE ALLOWED ,  
 DURING TRANSPORTATION.)



5. 材料 (MATERIAL)

キャリアテープ (CARRIER TAPE) : ポリプロピレン (POLYPROPYLENE)  
 トップテープ (TOPTAPE) : PET, PE, PEF  
 リール (REEL) : ポリスチレン (PS) <リサイクル材を含む>  
 POLYSTYRENE (PS) <RECYCLE MATERIAL CONTAINED>



52207-**-85	MODEL NO.	キャリアテープ幅 CARRIER TAPE WIDTH	H	E	(D)	(C)	(B)	(A)	41.5	38	34.7	40.35	52207-3485	34
									37.5	34	30.7	36.35	52207-3085	30
									36.5	33	29.7	35.35	52207-2985	29
									35.5	32	28.7	34.35	52207-2885	28
									MATERIAL NO.	極数 CKT.				

THIS DRAWING CONTAINS INFORMATION THAT IS PROPRIETARY TO MOLEX ELECTRONIC TECHNOLOGIES, LLC AND SHOULD NOT BE USED WITHOUT WRITTEN PERMISSION

DIMENSION UNITS mm	SCALE NTS	CURRENT REV DESC.	<b>molex</b>				
GENERAL TOLERANCES (UNLESS SPECIFIED)		EC NO: 719890	EMBOSSSED TAPE PACKAGE FOR 52207-**-19 -LEAD FREE-				
ANGULAR TOL ± °		DRWN: NARENC 2022/08/22	PRODUCT CUSTOMER DRAWING				
4 PLACES ±		CHK'D: SMARUYAMA 2022/09/05	DOCUMENT NUMBER				
3 PLACES ±		APPR: YNAITO 2022/09/05	DOC TYPE				
2 PLACES ±		INITIAL REVISION:	DOC PART				
1 PLACE ±		DRWN: MNINOMIYA 2004/02/18	REVISION				
0 PLACES ±		APPR: MSASAO 2004/02/18	SD-52207-061				
DRAFT WHERE APPLICABLE MUST REMAIN WITHIN DIMENSIONS		THIRD ANGLE PROJECTION	DRAWING	SERIES	MATERIAL NUMBER	CUSTOMER	SHEET NUMBER
			A3-SIZE	52207	SEE TABLE	GENERAL MARKET	3 OF 3