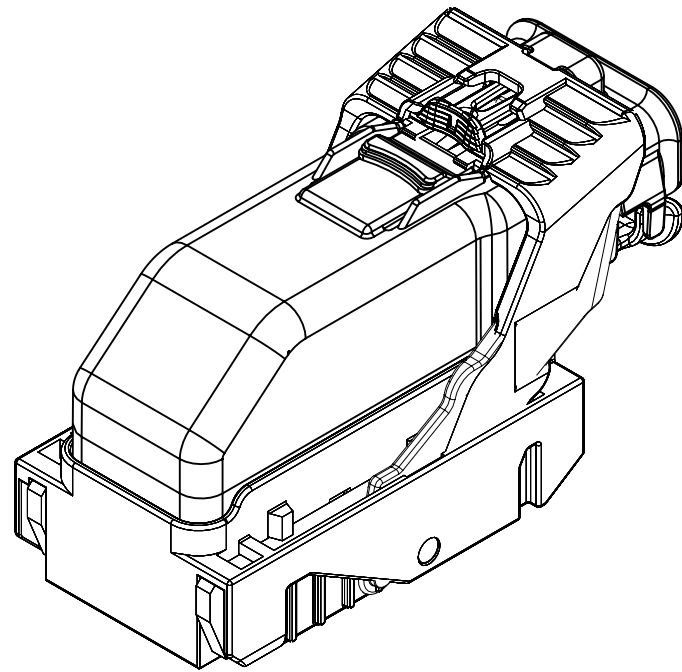

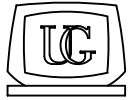


INDEX	
PAGE TITLE	PAGE
TITLE BLOCK	1
REVISION BLOCK	2
PART BLOCK	3
KPC BLOCK	4
COMPONENT TABLE	5
NOTES	6
NOTES	7
WIRE DRESS PACKAGING DIMENSIONS	8
LOCATION AND PACKAGING DIMENSIONS REFERENCING INTERFACE DATUMS B & C	9
LOCATION AND PACKAGING DIMENSIONS REFERENCING INTERFACE DATUM A	10
KEY ID REF - WIRE DRESS OPTION 0	11
KEY ID REF - WIRE DRESS OPTION 9	12
CIRCUIT CONFIGURATIONS	13
CIRCUIT CONFIGURATIONS	14
COMPONENT CONNECTOR INTERFACE	15
COMPONENT CONNECTOR INTERFACE	16
COMPONENT CONNECTOR INTERFACE	17
COMPONENT CONNECTOR INTERFACE	18
COMPONENT CONNECTOR INTERFACE	19
COMPONENT CONNECTOR INTERFACE	20
COMPONENT CONNECTOR INTERFACE	21




ISO VIEW

	<p><b>UNLESS OTHERWISE SPECIFIED:</b> THIS DOCUMENT IS IN ACCORDANCE WITH ASME Y14.5M-1994 AS AMMENDED BY THE GM GLOBAL DIMENSIONING AND TOLERANCING ADDENDUM-1997. ALL GEOMETRIC TOLERANCES AND RELATED DATUMS APPLY RFS. RULE #1 (PERFECT FORM AT MMC) DOES NOT APPLY WHEN A RELATIONSHIP BETWEEN FEATURES IS ESTABLISHED BY ORIENTATION OR LOCATION TOLERANCES. SEPARATE POSITION CALLOUTS MAY BE GAGED SEPARATELY REGARDLESS OF DATUM REFERENCES.</p>			DATE
	 CHANGE RESTRICTED NO MANUAL CHANGES	REFERENCE 12H (MOLEX AUTOMOTIVE)	DRAFTER J SZYMKOWSKI APVD1 D PFAFFINGER APVD2 B BURT APVD3 APVD4 APVD5	22DE05 22DE05 22DE05    
DO NOT SCALE	DRAWING NAME HARNESS CONN ASM 66/73/80 CKTS			
METRIC DIMENSIONS SHOWN IN MILLIMETERS UNLESS OTHERWISE SPECIFIED	DRAWING NUMBER 12642695		DWG STATUS ST REV PDI R 002	
			PAGE NUMBER 1 OF 21	

PAGE	DWG STATUS					REVISION HISTORY	AUTH	DR	CK	ENG
	DATE	ST	REV	CHG	PDI					
	19DE11	R	001			RELEASED TO PRODUCTION AT DLS A	CRMRJB	SC	MRO	GF
3	08MY15	R	002	A		REORDERED PART BLOCK AND ADDED MASS CORRECTED P/N TYPO FROM 12562676 TO 12582676				
3, 5		R	002	B		ADDED 12659312, 12659313, 12653574 AND 12653575				
6		R	002	C		REMOVED NOTE 1 . D . 3 . C				
20		R	002	D		DIM 125 WAS 3.25 DIM 131 WAS 5.5	CRMRJD	DFK	MRO	GF

PAGE	DWG STATUS					REVISION HISTORY	AUTH	DR	CK	ENG
	DATE	ST	REV	CHG	PDI					

	PAGE TITLE	DRAWING NUMBER	DWG STATUS			PAGE NUMBER	
	REVISION BLOCK		12642695	ST	REV	PDI	2 OF 21
				R	002		



KEY PRODUCT CHARACTERISTICS  
(IN ACCORDANCE WITH QN 1805 OR ON 1050)



SAFETY/COMPLIANCE

TOTAL ON  
DRAWING

5



FIT/FUNCTION

LAST NO.  
USED

5

NO	TYPE	DESCRIPTION	RATIONALE	PAGE/ZONE
1	F/F	32.68	IMPROVE CONNECTOR SYSTEM MATING	15
2	F/F	29.00	INSURE PROPER RELEASE OF LEVER	15
3	F/F	15.25	INSURE FINAL MATE POSITION	16
5	F/F	POSITIONAL TOLERANCE (2 PLACES)	INSURE CONNECTOR SYSTEM MATEABILITY	19



PAGE TITLE  
KPC BLOCK

DRAWING NUMBER

12642695

DWG STATUS

ST	REV	PD1
----	-----	-----

R	002	
---	-----	--

PAGE NUMBER

4 OF 21

LINE	MFG.	MFG. P/N	GM P/N	EFFECTIVE DATE	APPLICABLE COMPONENTS	KEY OPTION	WIRE DRESS OPTION	KEY CONFIG.	COLOR	STATUS
					DESCRIPTION					
-										
1	MOLEX	34565-0003	12582676	02JN03	MX123 DRESS COVER 66/73/80 CKT	N/A	N/A	N/A	BLACK	AVAILABLE
2	MOLEX	34822-0013	12642692	01SP13	MX123 HRNS CONN ASSY 66 CKT	A	0	1458	BLACK	AVAILABLE
3	MOLEX	34822-0033	12659312	01SP13	MX123 HRNS CONN ASSY 66 CKT	C	0	2467	BLUE	AVAILABLE
4	MOLEX	34822-0023	12642693	01SP13	MX123 HRNS CONN ASSY 66 CKT	A	9	1458	BLACK	AVAILABLE
5	MOLEX	34822-0043	12659313	01SP13	MX123 HRNS CONN ASSY 66 CKT	C	9	2467	BLUE	AVAILABLE
6	MOLEX	34566-0103	12582677	11JN04	MX123 HRNS CONN ASSY 73 CKT	A	0	1458	BLACK	AVAILABLE
7	MOLEX	34566-0203	12582678	11JN04	MX123 HRNS CONN ASSY 73 CKT	B	0	1468	ST GRAY	AVAILABLE
8	MOLEX	34566-0303	12615654	09AP08	MX123 HRNS CONN ASSY 73 CKT	C	0	2467	BLUE	AVAILABLE
9	MOLEX	34566-0403	12647268	T.B.D	MX123 HRNS CONN ASSY 73 CKT	D	0	2367	BROWN	NOT ACTIVE
10	MOLEX	34566-0503	AMJ28633	T.B.D	MX123 HRNS CONN ASSY 73 CKT	E	0	2468	GREEN	NOT ACTIVE
11	MOLEX	34566-0603	12653574	05DC14	MX123 HRNS CONN ASSY 73 CKT	F	0	1357	NATURAL	AVAILABLE
12	MOLEX	34566-0703	12588057	09AP08	MX123 HRNS CONN ASSY 80 CKT	G	0	1358	BLUE	AVAILABLE
13	MOLEX	34566-0803	12588058	11JN04	MX123 HRNS CONN ASSY 80 CKT	H	0	2458	ST GRAY	AVAILABLE
14	MOLEX	34566-0903	12615656	T.B.D	MX123 HRNS CONN ASSY 80 CKT	J	0	2457	BLACK	NOT ACTIVE
15	MOLEX	34566-1003	AMJ28595	T.B.D	MX123 HRNS CONN ASSY 80 CKT	K	0	2357	BROWN	NOT ACTIVE
16	MOLEX	34566-1103	AMJ29057	T.B.D	MX123 HRNS CONN ASSY 80 CKT	L	0	2368	GREEN	NOT ACTIVE
17	MOLEX	34566-1203	AMJ28669	T.B.D	MX123 HRNS CONN ASSY 80 CKT	M	0	2358	NATURAL	NOT ACTIVE
18	MOLEX	34566-1303	12603596	11JN04	MX123 HRNS CONN ASSY 73 CKT	A	9	1458	BLACK	AVAILABLE
19	MOLEX	34566-1403	12603597	11JN04	MX123 HRNS CONN ASSY 73 CKT	B	9	1468	ST GRAY	AVAILABLE
20	MOLEX	34566-1503	12615655	09AP08	MX123 HRNS CONN ASSY 73 CKT	C	9	2467	BLUE	AVAILABLE
21	MOLEX	34566-1603	12647269	T.B.D	MX123 HRNS CONN ASSY 73 CKT	D	9	2367	BROWN	NOT ACTIVE
22	MOLEX	34566-1703	AMJ28698	T.B.D	MX123 HRNS CONN ASSY 73 CKT	E	9	2468	GREEN	NOT ACTIVE
23	MOLEX	34566-1803	12653575	05DC14	MX123 HRNS CONN ASSY 73 CKT	F	9	1357	NATURAL	AVAILABLE
24	MOLEX	34566-1903	12603598	09AP08	MX123 HRNS CONN ASSY 80 CKT	G	9	1358	BLUE	AVAILABLE
25	MOLEX	34566-2003	12603599	11JN04	MX123 HRNS CONN ASSY 80 CKT	H	9	2458	ST GRAY	AVAILABLE
26	MOLEX	34566-2103	12615657	T.B.D	MX123 HRNS CONN ASSY 80 CKT	J	9	2457	BLACK	NOT ACTIVE
27	MOLEX	34566-2203	AMJ29117	T.B.D	MX123 HRNS CONN ASSY 80 CKT	K	9	2357	BROWN	NOT ACTIVE
28	MOLEX	34566-2303	AMJ29136	T.B.D	MX123 HRNS CONN ASSY 80 CKT	L	9	2368	GREEN	NOT ACTIVE
29	MOLEX	34566-2403	AMJ29214	T.B.D	MX123 HRNS CONN ASSY 80 CKT	M	9	2358	NATURAL	NOT ACTIVE
30	MOLEX	34736-2002	12642697	01AU10	MX64 RCPT TERM Ag 18/20 GAGE B (RIGHT PAYOFF)	N/A	N/A	N/A	N/A	AVAILABLE
31	MOLEX	34736-2001	12642696	01AU10	MX64 RCPT TERM Ag 22 GAGE B (RIGHT PAYOFF)	N/A	N/A	N/A	N/A	AVAILABLE
32	MOLEX	34586-0001	T.B.D.	11JN04	MX123 0.64MM GROMMET PLUG	N/A	N/A	N/A	NATURAL	AVAILABLE
33	YAZAKI	7116-4150-02	12588066	02JN03	2.8mm YESC SEALED FEMALE TERMINAL TIN 20/22 GAGE (CABLE RANGE 0.30mm-0.60mm)	N/A	N/A	N/A	N/A	NOT ACTIVE
34	YAZAKI	7116-4151-02	12588067	02JN03	2.8mm YESC SEALED FEMALE TERMINAL TIN 16/18 GAGE (CABLE RANGE 0.75mm-1.40mm)	N/A	N/A	N/A	N/A	NOT ACTIVE
35	YAZAKI	7116-4152-02	12582685	02JN03	2.8mm YESC SEALED FEMALE TERMINAL TIN 14 GAGE (CABLE RANGE 1.50mm-2.50mm)	N/A	N/A	N/A	N/A	AVAILABLE
36	YAZAKI	7158-3111-60	12588068	02JN03	2.8mm CABLE SEAL (wire O.D. range 1.20mm-1.90mm)	N/A	N/A	N/A	GREEN	NOT ACTIVE
37	YAZAKI	7158-3112-70	12588069	02JN03	2.8mm CABLE SEAL (wire O.D. range 1.80mm-2.30mm)	N/A	N/A	N/A	YELLOW	NOT ACTIVE
38	YAZAKI	7158-3113-40	12582686	02JN03	2.8mm CABLE SEAL (wire O.D. range 2.18mm-3.00mm)	N/A	N/A	N/A	WHITE	AVAILABLE
39	YAZAKI	7158-3114-90	T.B.D	02JN03	2.8mm YESC CAVITY PLUG	N/A	N/A	N/A	BLUE	AVAILABLE
40	MOLEX	63811-4200	XX019825	02JN03	MX64 TERM HAND CRIMP TOOL	N/A	N/A	N/A	N/A	AVAILABLE
41	MOLEX	63813-1400	XX019826	02JN03	MX64 TERM SERVICE TOOL	N/A	N/A	N/A	N/A	AVAILABLE
42	MOLEX	63865-8000	XX019827	02JN03	MX64 CRIMP APPLICATOR with TOOL KIT 18/20 GAGE PAYOFF DIRECTION D (left payoff) (contact Molex for payoff detail)	N/A	N/A	N/A	N/A	AVAILABLE
43	MOLEX	63865-8070	XX019828	02JN03	MX64 APPLICATOR TOOL KIT 18/20 GAGE	N/A	N/A	N/A	N/A	AVAILABLE
44	MOLEX	63865-8100	XX019829	02JN03	MX64 CRIMP APPLICATOR with TOOL KIT 22 GAGE PAYOFF DIRECTION D (left payoff) (contact Molex for payoff detail)	N/A	N/A	N/A	N/A	AVAILABLE
45	MOLEX	63865-8170	XX019830	02JN03	MX64 APPLICATOR TOOL KIT 22 GAGE	N/A	N/A	N/A	N/A	AVAILABLE
46	SPX	J35616-64	T.B.D.	02JN03	0.64mm PROBE TOOL (for rcpt)	N/A	N/A	N/A	N/A	AVAILABLE
47	SPX	J35616-64A	T.B.D.	02JN03	0.64mm PROBE TOOL WITH EXT (for rcpt)	N/A	N/A	N/A	N/A	AVAILABLE
48	SPX	J35616-65	T.B.D.	02JN03	0.64mm PROBE TOOL WITH EXT (for pin)	N/A	N/A	N/A	N/A	AVAILABLE
49	SPX	J35616-4A	T.B.D.	02JN03	2.8mm PROBE TOOL (for rcpt)	N/A	N/A	N/A	N/A	AVAILABLE
50	YAZAKI	X39899-J374	12094430	02JN03	2.8mm TERM SERVICE TOOL	N/A	N/A	N/A	N/A	AVAILABLE

002B

\* - MX123 DRESS COVER 73/80/66 CKT MATES TO ANY MX123 HARN CONN ASSY SHOWN ON TABLE ABOVE



PAGE TITLE  
COMPONENT TABLE

DRAWING NUMBER  
12642695

DWG STATUS			PAGE NUMBER
ST	REV	PD1	
R	002		

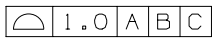
5 OF 21

NOTES: UNLESS OTHERWISE SPECIFIED

1. MATERIAL FOR INTERFACE:

- A. RESIN:
  - 1. 30% G.F. PBT; 20% MAX. (BY WEIGHT) REGRIND.
  - 2. MATING CONNECTOR INTERFACE PART COLOR MUST BE SAME AS MATCHING KEYED HARNESS CONNECTOR ASSEMBLY.
  - 3. MUST BE VALIDATED FOR INDIVIDUAL DEVICE APPLICATION REQUIREMENTS.
- B. 0.64MM PINS:
  - 1. BASE MATERIAL: COPPER ALLOY; CONDUCTIVITY >= 28% IACS AT 20°C; TENSILE STRENGTH >= 635 N/mm<sup>2</sup>; SURFACE ROUGHNESS R<sub>a</sub> 6 MAX.
  - 2. PLATING FINISH: SILVER (Ag). PLATING TO BE 1.9-3.3 μm ELECTRODEPOSITED SEMI-BRIGHT SILVER OVER 1.25-2.25 μm DUCTILE SULPHAMATE NICKEL PER NOTE 1(D).
  - 3. ANTI-TARNISH: SYNTHETIC HYDROCARBON CONTACT SURFACE FINISH OR EQUIVALENT APPLIED WITHOUT VOID TO CONTACT AREA (MIN 3.7mm FROM PIN TIP).
- C. 2.8MM BLADE:
  - 1. BASE MATERIAL: COPPER ALLOY; CONDUCTIVITY >= 28% IACS AT 20°C; TENSILE STRENGTH >= 350 N/mm<sup>2</sup>; SURFACE ROUGHNESS R<sub>a</sub> 6 MAX.
  - 2. PLATING FINISH: TIN. PLATING TO BE 2.5-5.0 μm ELECTRODEPOSITED TIN, MATTE FINISH OVER 1.25-2.5 μm DUCTILE SULPHAMATE NICKEL PER NOTE 1(D).
- D. PLATING REQUIREMENTS:
  - 1. SILVER PLATING
    - a. 99.5% PURE SEMI-BRIGHT WITH NO ORGANIC BRIGHTNERS OR CHROMATES.
  - 2. NICKEL PLATING
    - a. ELECTRODEPOSITED DUCTILE SULFAMATE NICKEL WITH A NON-BRIGHTENED FINISH. NO ORGANIC OR BRIGHTENING AGENTS SHALL BE ALLOWED.
    - b. SHALL ONLY BE USED AS AN UNDERLYING PLATING AND MAY NOT BE USED AS AN ELECTRICAL CONTACT SURFACE PLATING.
    - c. SHALL BE NODULE FREE WHEN VIEWED AT 10X MAGNIFICATION IN MEASURED IN CONTACT SURFACE AREA PLUS 0.5MM PERIMETER AROUND THE CONTACT SURFACE AREA.
    - d. ALL PLATINGS SHALL HAVE A 1.0% MAXIMUM BY WEIGHT IMPURITIES. IMPURITIES ARE DEFINED AS ALL ELEMENTS NOT THE PRIMARY PLATING OR HARDENING AGENT IF APPLICABLE, AS DETERMINED BY WET CHEMICAL ANALYSIS OR AUGER METHOD. NO SINGLE IMPURITY SHALL EXCEED 0.1% MAXIMUM BY WEIGHT.
  - 3. TESTING
    - a. THICKNESS TO BE MEASURED IN CONTACT SURFACE AREA PLUS 0.5MM PERIMETER AROUND THE CONTACT SURFACE AREA AS DESIGNATED IN THE DRAWING. THICKNESS SHALL BE DETERMINED BY METHOD OF X-RAY (XRF).
    - b. PLATING ADHESION SHALL BE TESTED BY A BEND TEST FOR ALL METALS. THE TEST SAMPLE SHALL BE BENT 90 DEGREES TO DETERMINE DEPOSIT ADHESION. TESTING SHALL BE COMPLETED IN ACCORDANCE WITH ASTM SPEC B571.


2. DESIGN - GENERAL:

- A. THIS IS A 100% CAD GENERATED PART. THE CAD MATHEMATICAL DATA IS THE MASTER FOR THIS PART. FOR DIMENSIONAL OR ANY INFORMATION NOT SHOWN ON THIS DRAWING, ANALYZE THE CAD MODEL.
- B. TOLERANCES:
  - 1. LINEAR
    - 0.X ± 0.30
    - 0.XX ± 0.10
    - 0.XXX ± 0.10
  - 2. ANGULAR X° ± 3°
  - 3. 
- C. MINIMUM WALL THICKNESS REQUIRED: 1.3mm.
- D. CORNERS SHOWN AS SHARP TO BE R 0.2 MAX.
- E. LETTERING SHALL BE 0.15 MAX RAISED IN 0.20 MAX RECESS PAD. THIS INCLUDES MATERIAL CODE, RECYCLING CODE, CAVITY ID AND DATE CODE.
- F-1. PARTS MUST BE FREE OF DISCOLORATION, SALT RESIDUE AND OTHER IMPERFECTIONS THAT AFFECT FIT OR FUNCTION.
- F-2. SCRATCHES OR DENTS NOT TO EXCEED 0.013mm IN DEPTH.
- G. FOLLOWING PRODUCTION CODES TO BE PERMANENTLY MARKED & HUMAN READABLE TO A LETTER HEIGHT OF 1.5 ± 0.5MM X 0.3 MAX DEEP
  - 1. MATERIAL #: XXXXX-XXXX
  - 2. DATE CODE: JJJY (JULIAN DAY, LAST DIGIT OF YEAR)
  - 3. INSPECTION MACHINE CODE + SERIAL #: X\_XXXXX

3. DESIGN - MANUFACTURING:

- A. DRAFT TO BE WITHIN TOLERANCE.
- B. ALLOWABLE FLASH MAX 0.2 HIGH X MAX 0.13 THICK.
- C. ALLOWABLE PARTING LINE MISMATCH 0.2 MAX.
- D. EJECTOR PINS MARK TO BE FLUSH TO 0.25 MAX DEPRESSED.
- E. ALLOWABLE GATE VESTIGE FLUSH TO 0.25 MAX PROTRUSION.
- F. NO EXTERNAL MOLD RELEASE AGENT ALLOWED DURING MANUFACTURING.
- G. STEEL THAT FORMS THE INDICATED SURFACE MUST BE POLISHED WITH A DIAMOND FINISH (SPI A-2) OVER THE FULL PERIPHERY OF THE TOOL. SURFACE MUST HAVE NO MISMATCH.
- H. ANY PROCESS LUBRICANT REMAINING ON THE TERMINAL MUST NOT VARNISH OR DEGRADE IT'S ELECTRICAL PERFORMANCE UP TO A MAXIMUM CLASS AMBIENT TEMPERATURE PER SAE USCAR-2 FOR 1008 HOURS. PROCESS LUBRICANTS SHOULD BE APPROVED BY THE RESPONSIBLE ENGINEER.
- J. OPTIONAL FEATURES PROVIDED FOR AUTOMATION.
- K. PART MUST BE FREE FROM BURRS AND SHARP EDGES, WHICH MIGHT BE DETRIMENTAL TO SATISFACTORY ASSEMBLY, SAFE HANDLING OR FUNCTION OF PART.
- L. PARTS AS DELIVERED TO ASSEMBLY SHALL BE CLEAN AND FREE OF DEBRIS, RESIDUAL ABRASIVE MATERIAL AND CORROSION PRODUCTS ADVERESLY AFFECTING FUNCTION OR APPEARANCE.
- M. RESTRICTED AND REPORTABLE SUBSTANCES FOR PARTS PER GMW3059.

002C

	PAGE TITLE	DRAWING NUMBER	DWG STATUS			PAGE NUMBER	
	NOTES		12642695	ST	REV	PDI	6 OF 21
				R	002		

NOTES: UNLESS OTHERWISE SPECIFIED

4. SYSTEM REQUIREMENTS:

- A. HARNESS CONNECTOR IS COMPATIBLE WITH THE FOLLOWING SAE WIRE SIZE NO'S:
  - 14, MEETING SAE J1128
  - 18, MEETING SAE J1128, MAX O.D. OF 2.06 MM
  - 20, MEETING SAE J1128
  - 22, MEETING SAE J1128, MIN O.D. OF 1.47 MM
- B. CABLE TIE SPECIFICATIONS:
  - 1. CABLE TIE:
    - TENSILE RATING: 220N / (50lbs) MIN
    - TIE LENGTH: 186mm MIN
    - TIE WIDTH: 4.75mm MAX
    - MATERIAL: NYLON
  - 2. INSTALLATION:
    - CABLE TIE TENSION: 190N MIN
  - 3. DRESSED WIRE BUNDLE PACKAGING: SEE FIG. 1
- C. WHEN MATED WITH COMPONENT CONNECTOR INTERFACE AND/OR DRESS COVER, HARNESS CONNECTOR SYSTEM CONFORMS TO THE FOLLOWING:
  - 1. SAE/USCAR-2, REV: 3 APRIL, 2001; CLASS 3
  - 2. FIELD CORRELATED LIFE TEST, SAE/USCAR-20, NOV. 2001
  - 3. GMW #3191 AUGUST 22, 2000 (DRAFT); TEMPERATURE CLASS 3, SEALING CLASS 1, VIBRATION CLASS 2
  - 4. RESTRICTED AND REPORTABLE CHEMICALS PER GMW #3059, REV: D AUGUST 2002
  - 5. TPA USER FORCES (FULLY POPULATED WITH TERMINALS)
    - a. REMOVAL FROM LOCK TO PRE-SET: <=120N
- D. WIRE SPECIFICATIONS:
  - 1. WIRE SURFACE MUST BE FREE OF SCRATCHES, GROOVES OR DENTS WHERE FUNCTIONAL

5. TERMINAL CURRENT RATINGS:

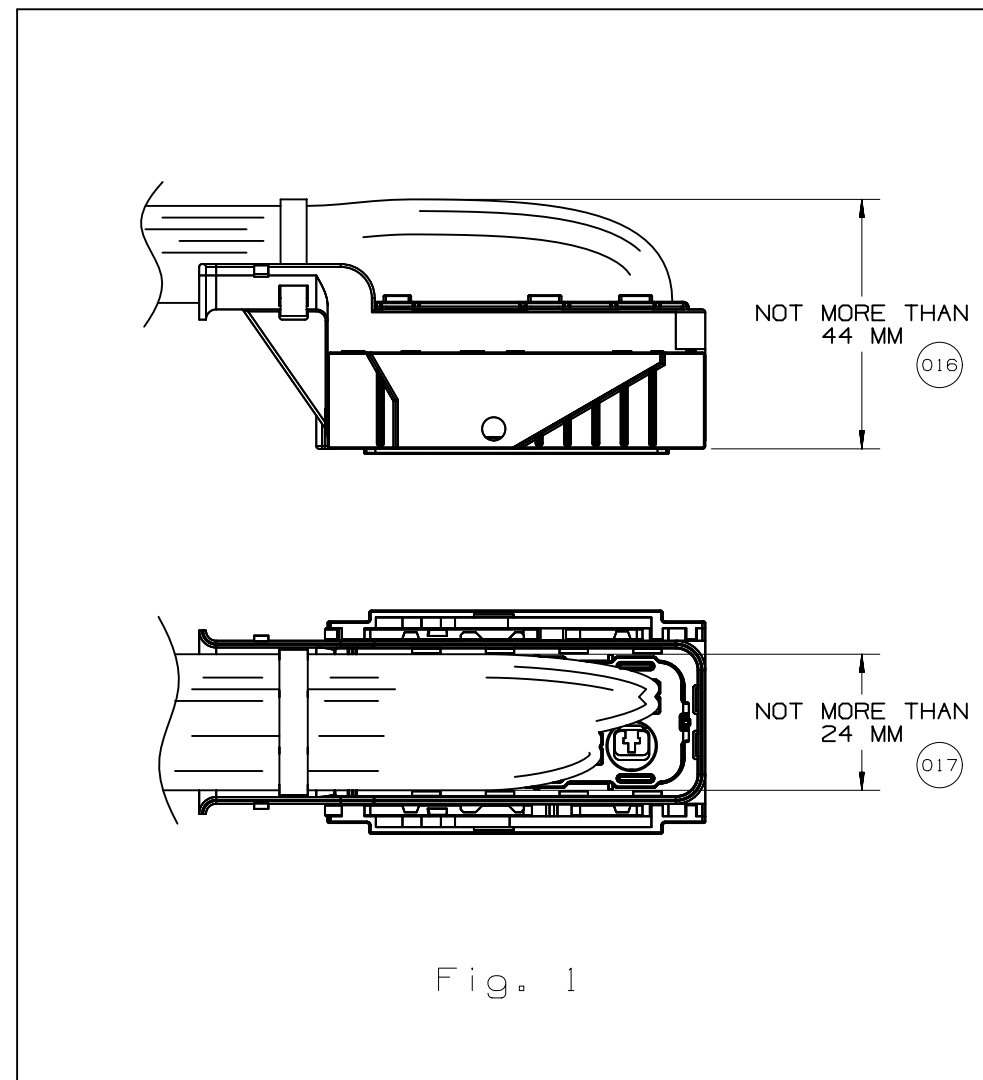
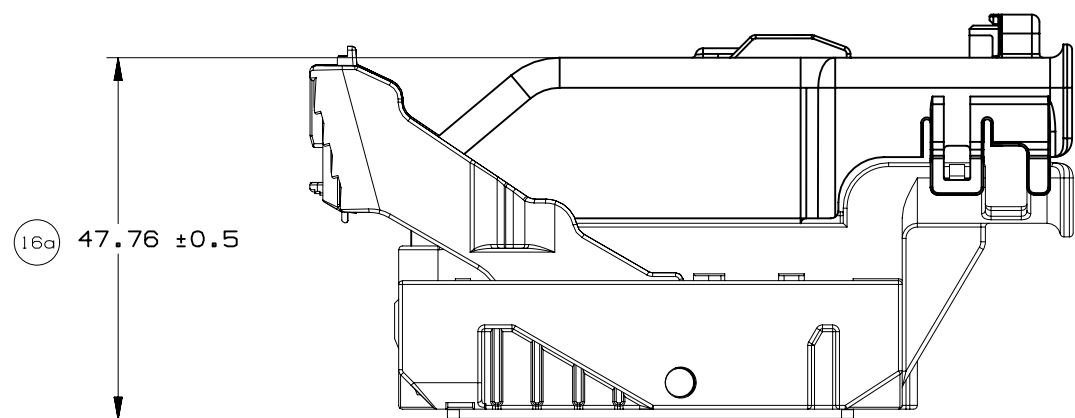
ALL TESTING DONE IN ACCORDANCE WITH USCAR-2 REV5 SECTION 5.3

- A. MX64 RCPT TERM
  - 1. MX64 RCPT TERM Ag 18/20 GAGE CRIMPED TO SAE WIRE SIZE NO.18 AND MATED TO MX123 0.64MM PIN: 11.3 AMPS
  - 2. MX64 RCPT TERM Ag 22 GAGE CRIMPED TO SAE WIRE SIZE NO.22 AND MATED TO MX123 0.64MM PIN:8.5 AMPS

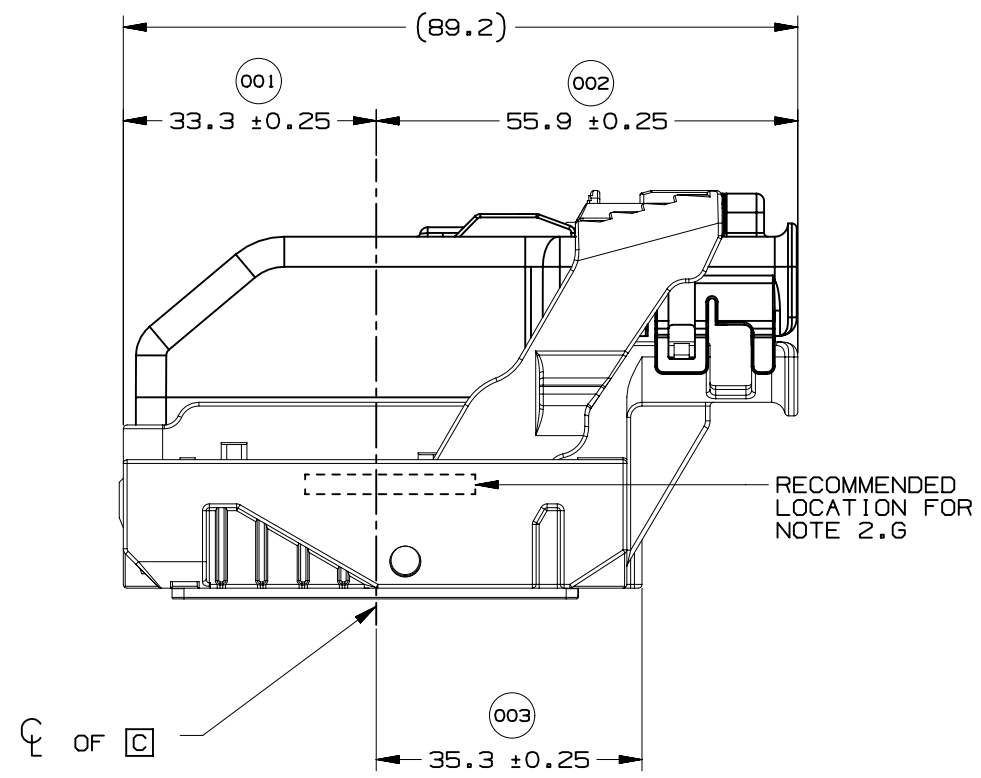
WIRE	CURRENT RATING			
	23°C	85°C	105°C	125°C
18AWG	11.3A	11.3A	9.5A	6.6A
20AWG	10.0A	10.0A	8.3A	5.7A
22AWG	8.6A	8.6A	7.1A	5.0A

- B. 2.8MM RCPT TERM
  - 1. 2.8MM RCPT TERM TIN 14 GAGE CRIMPED TO SAE WIRE SIZE NO.14 AND MATED TO MX123 2.8MM BLADE: 25.6 AMPS

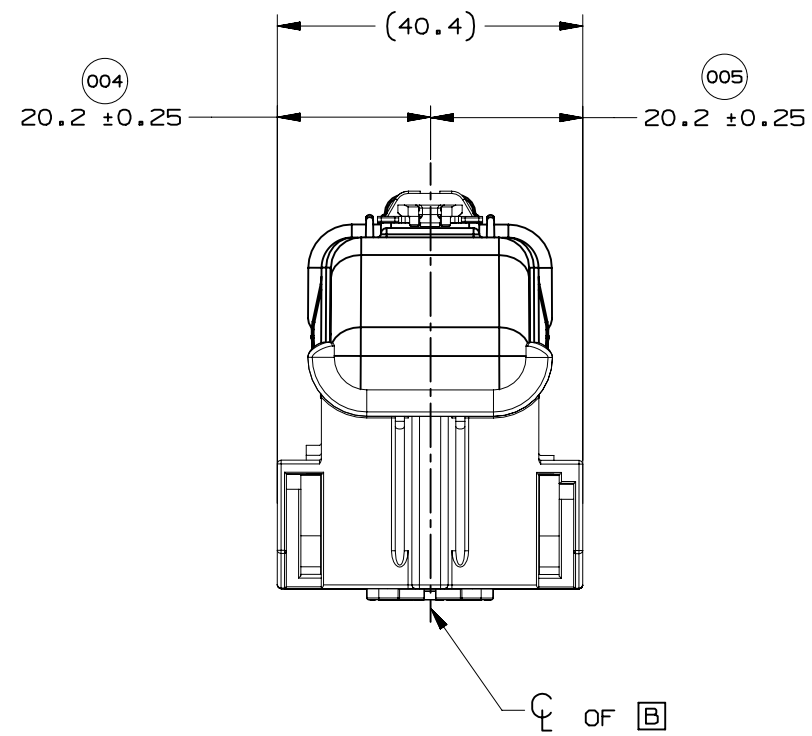
6. CONTACT MOLEX AUTOMOTIVE FOR AVAILABLE CUSTOM PATTERNS OF CAVITIES OPEN FOR CIRCUITS



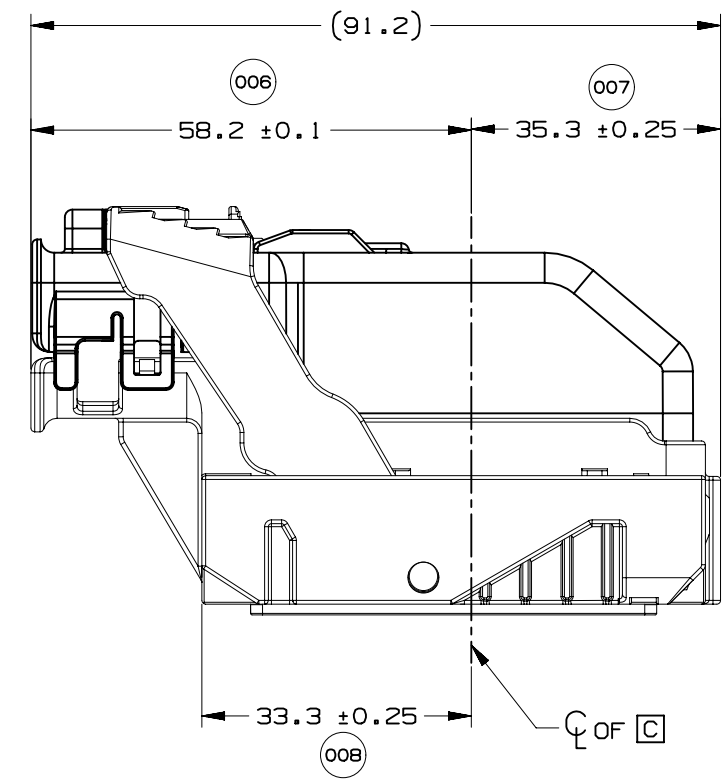




WIRE DRESS OPTION 0 SHOWN

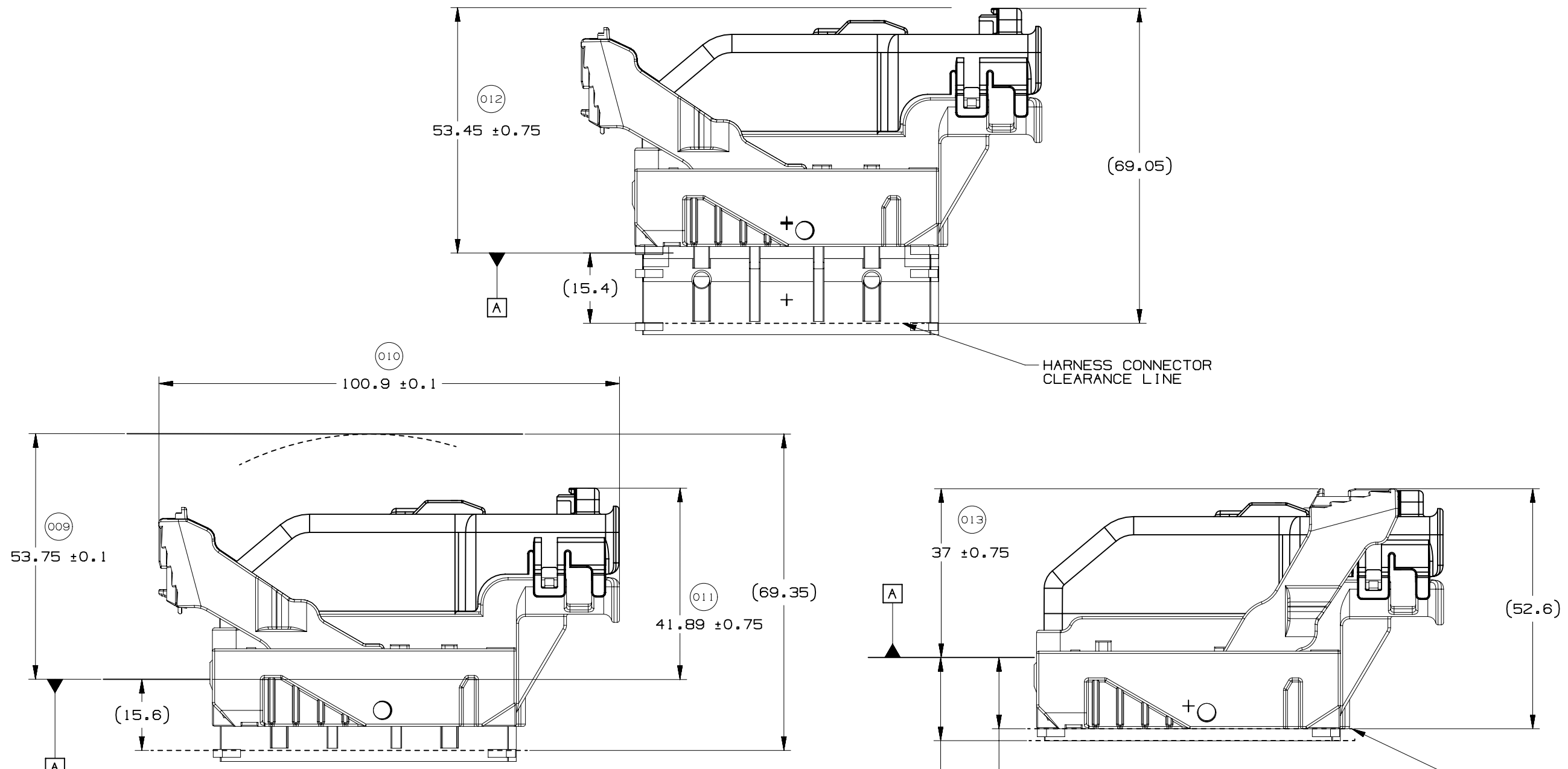


WIRE DRESS OPTION 0 SHOWN



WIRE DRESS OPTION 9 SHOWN





HARNESS CONNECTOR CLEARANCE LINE

HARNESS CONNECTOR ASSEMBLY IN FULLY-MATED POSITION

HARNESS CONNECTOR CLEARANCE LINE

15.6 MIN. ALL AROUND CLEARANCE REQUIRED FOR HARNESS CONNECTOR (014)

17.9 MIN. AT PAD LOCATION CLEARANCE REQUIRED FOR HARNESS CONNECTOR CONSTRUCTION BELOW THIS PLANE IS NOT CONTROLLED (015)

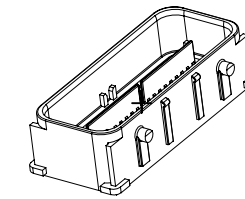
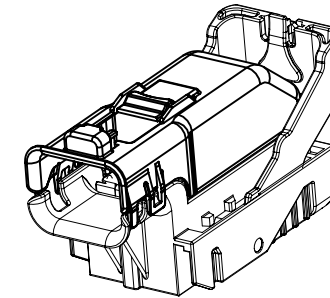
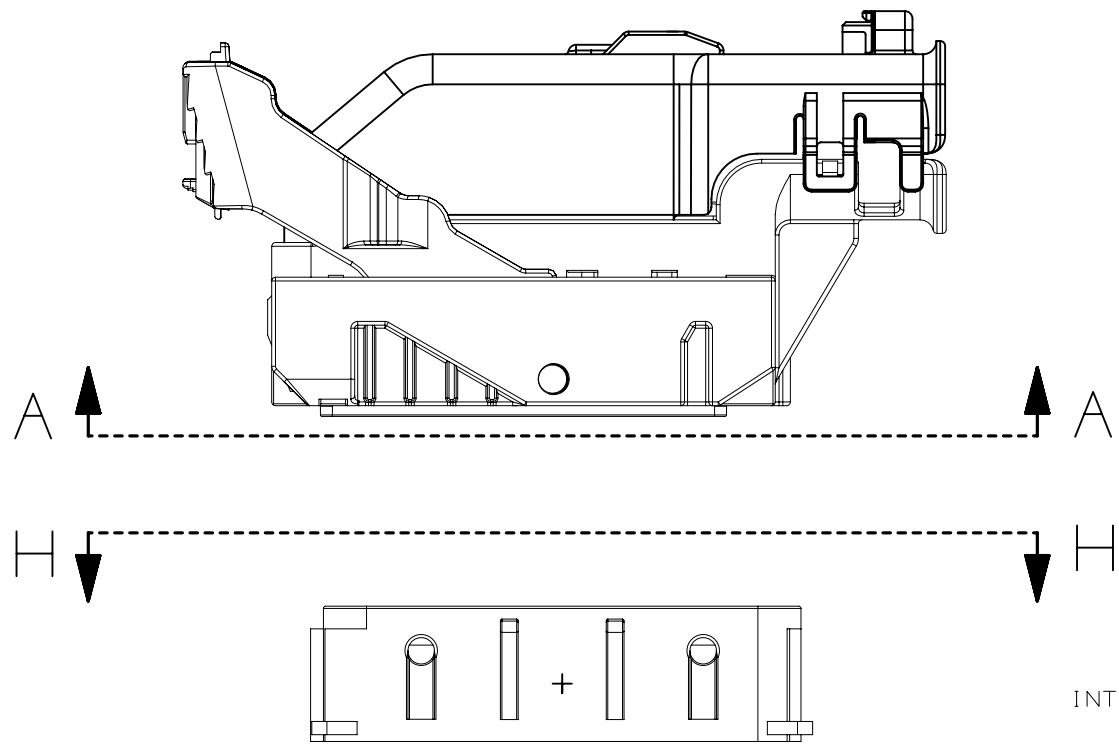


PAGE TITLE  
 LOCATION AND PACKAGING DIMENSIONS  
 REFERENCING INTERFACE DATUM A

DRAWING NUMBER  
 12642695

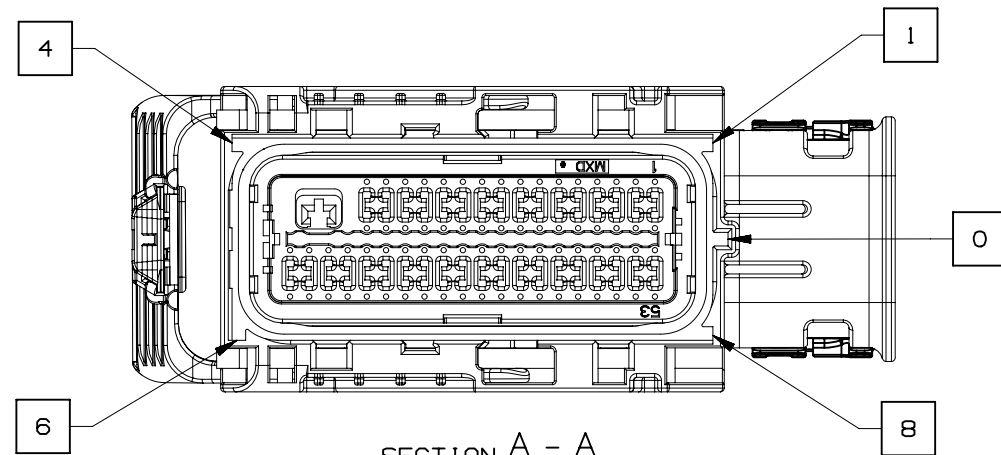
DWG STATUS		
ST	REV	PD1
R	002	

PAGE NUMBER  
 10 OF 21

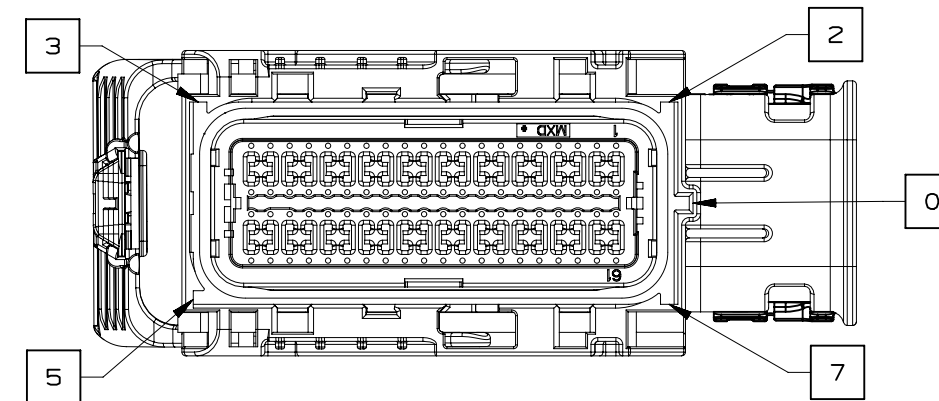


NOTE: REFERENCE THE COMPONENT TABLE FOR KEY OPTIONS AND CONFIGURATIONS

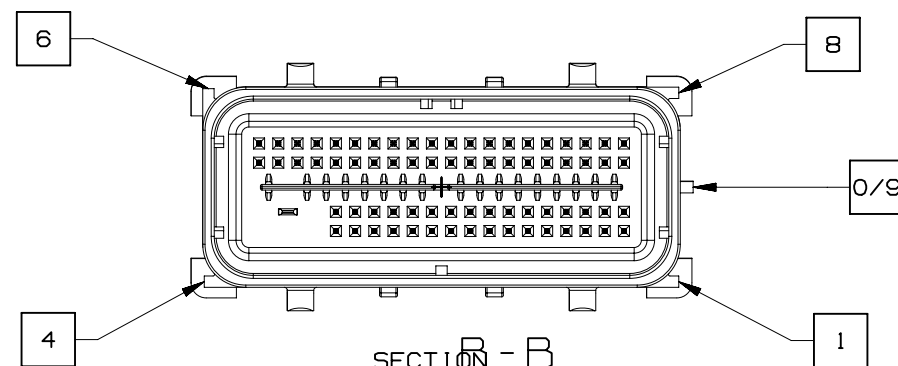
INTERFACE SIDE SHOWN ON ALL SECTION VIEWS



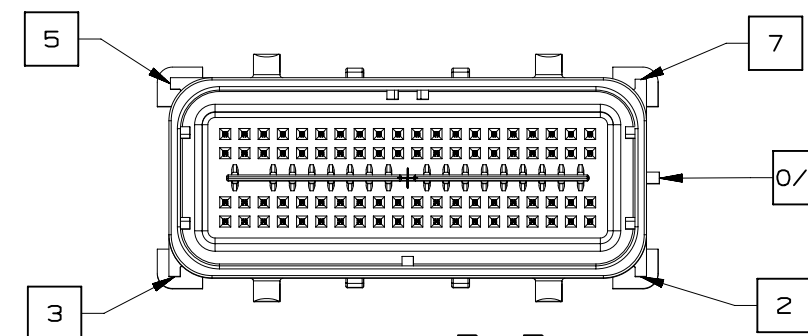
SECTION A - A  
KEY OPTION B SHOWN



SECTION A - A  
KEY OPTION K SHOWN



SECTION B - B  
KEY OPTION B SHOWN



SECTION B - B  
KEY OPTION K SHOWN

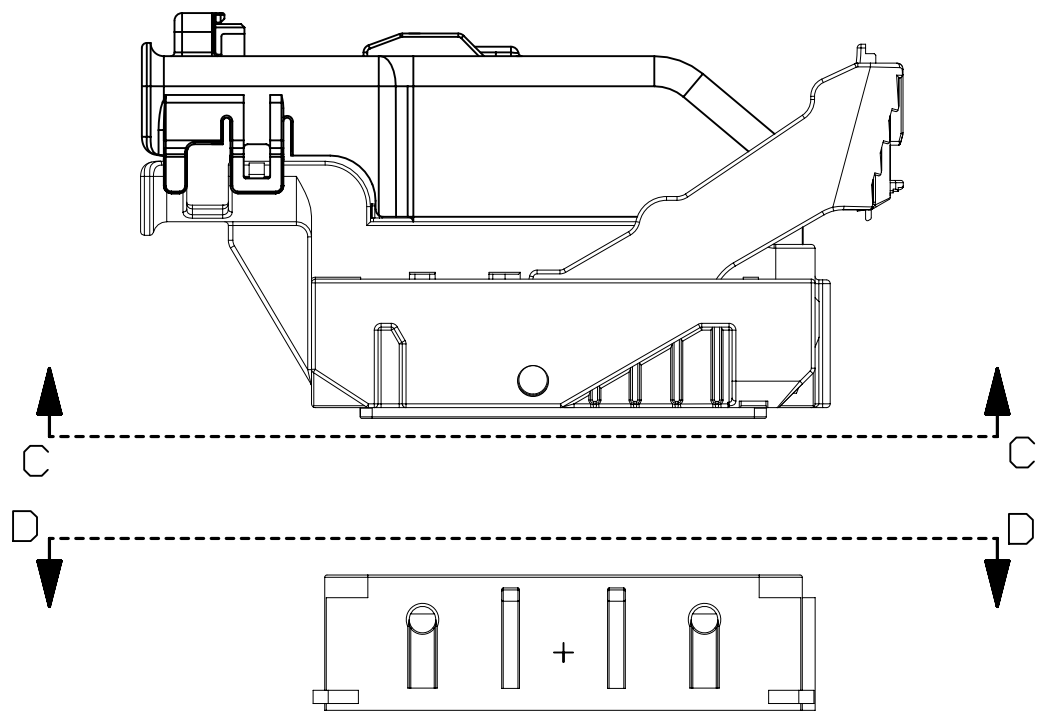


PAGE TITLE  
KEY ID REF - WIRE DRESS OPTION 0

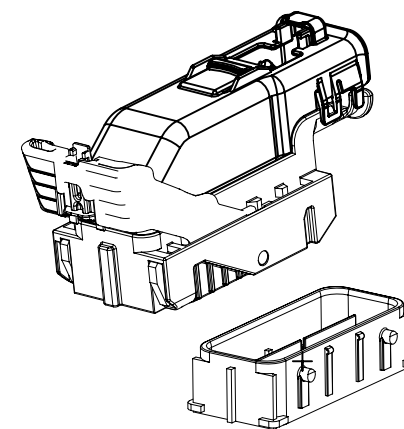
DRAWING NUMBER  
12642695

DWG STATUS		
ST	REV	PD1
R	002	

PAGE NUMBER  
11 OF 21

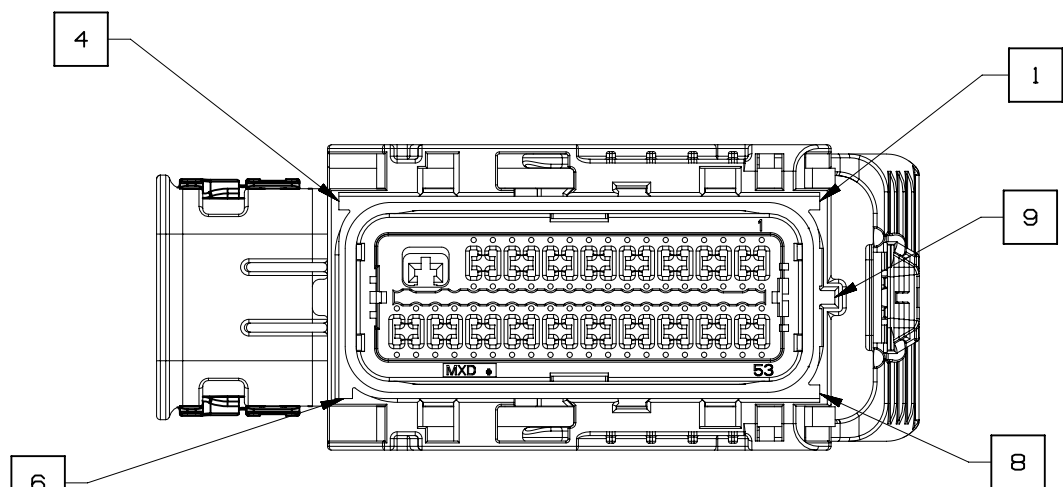


INTERFACE SIDE SHOWN ON ALL SECTION VIEWS

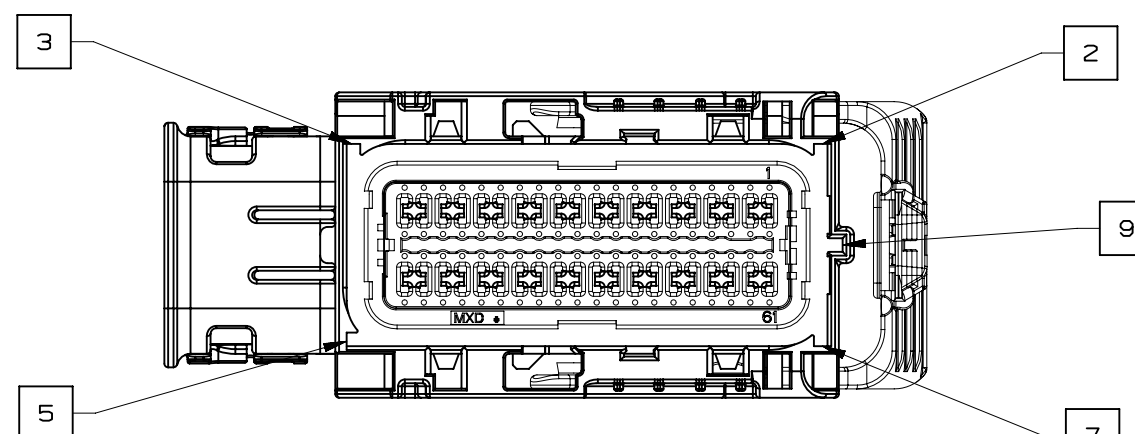


NOTE: REFERENCE THE COMPONENT TABLE FOR KEY OPTIONS AND CONFIGURATIONS

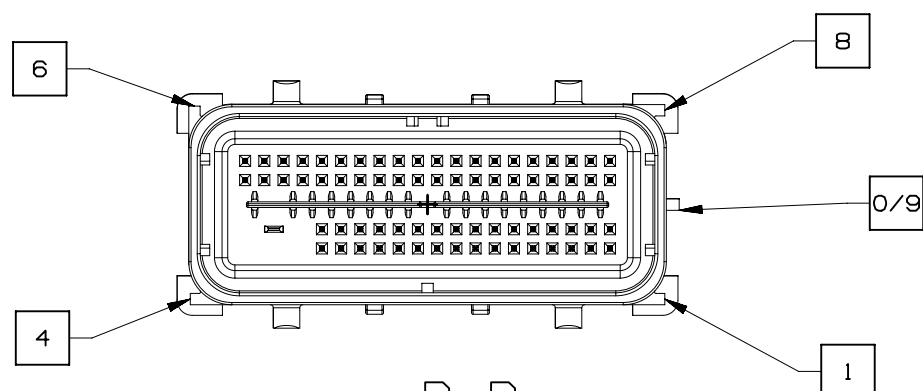
VIEW V



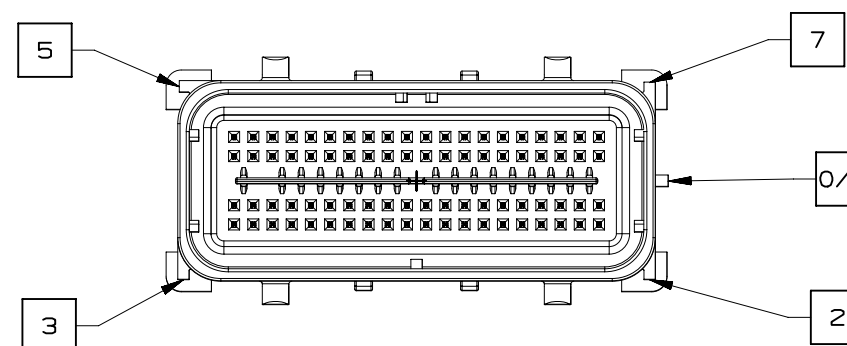
SECTION C-C  
KEY OPTION B SHOWN



SECTION C-C  
KEY OPTION K SHOWN



SECTION D-D  
KEY OPTION B SHOWN



SECTION D-D  
KEY OPTION K SHOWN

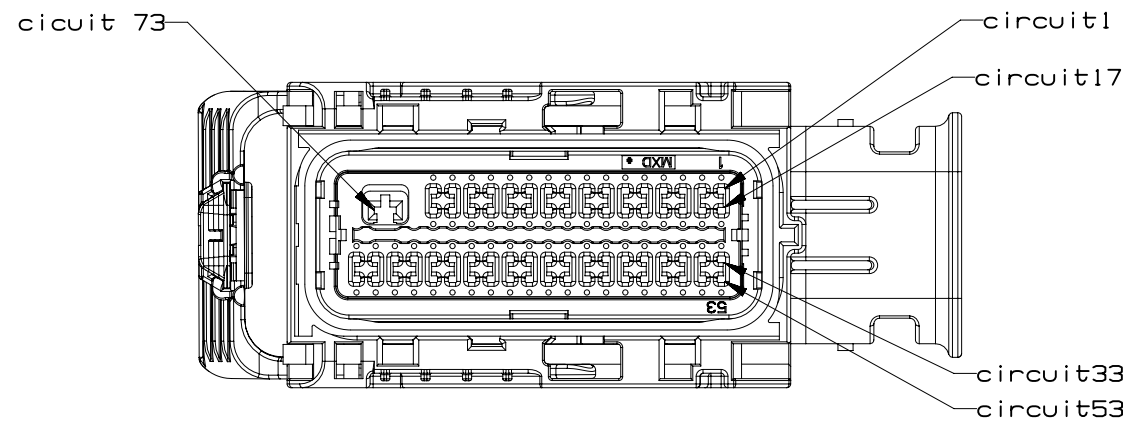


PAGE TITLE  
KEY ID REF - WIRE DRESS OPTION 9

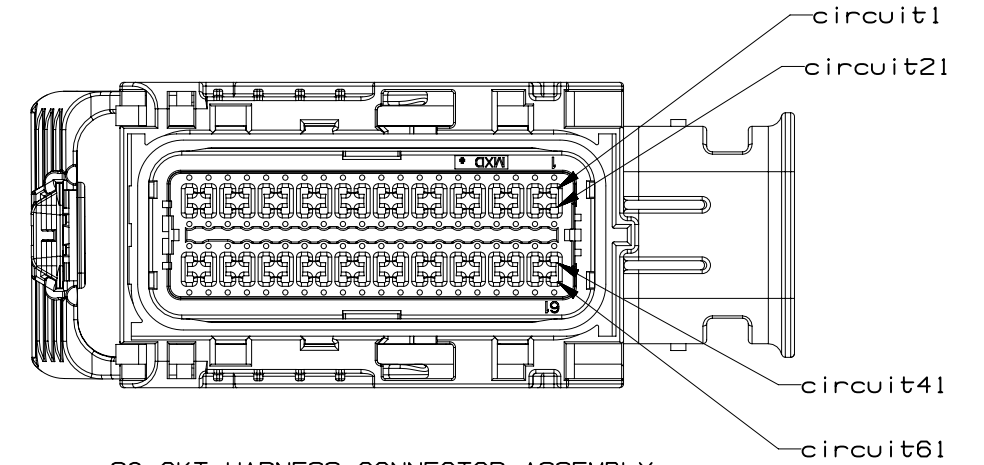
DRAWING NUMBER  
12642695

DWG STATUS		
ST	REV	PD1
R	002	

PAGE NUMBER  
12 OF 21

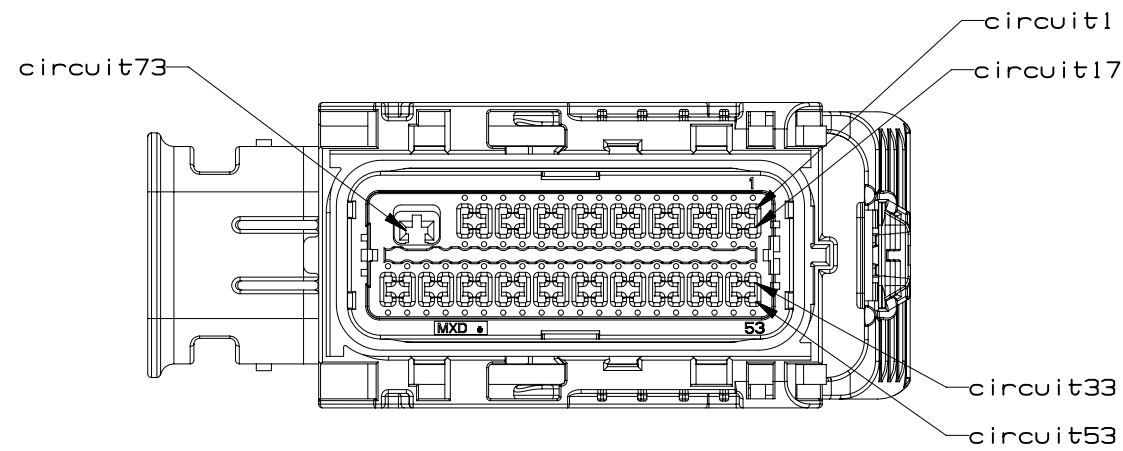


73 CKT HARNESS CONNECTOR ASSEMBLY  
WIRE DRESS OPTION 0

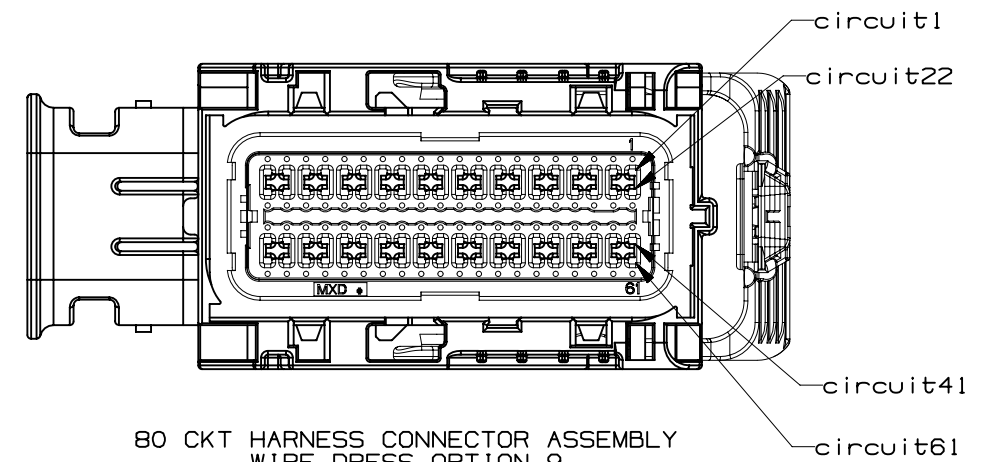


80 CKT HARNESS CONNECTOR ASSEMBLY  
WIRE DRESS OPTION 0

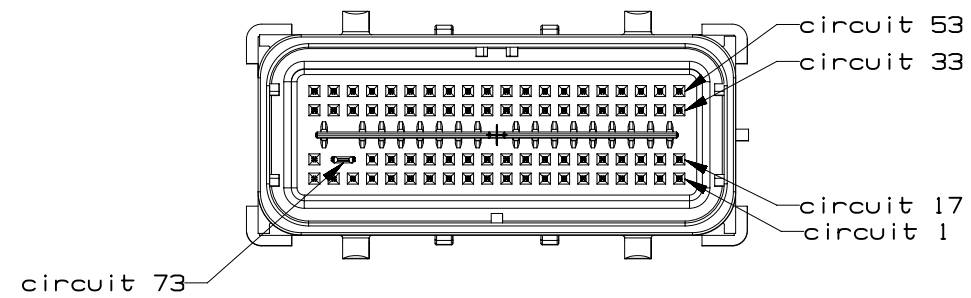
INTERFACE SIDE SHOWN ON ALL VIEWS



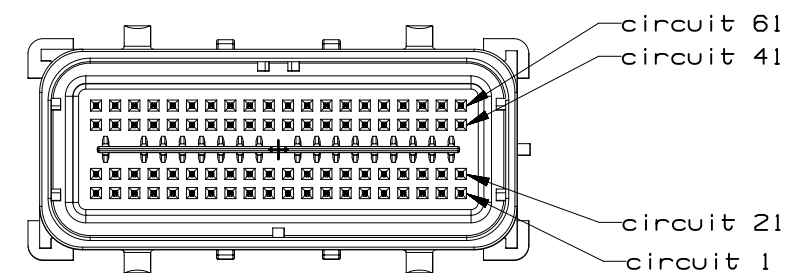
73 CKT HARNESS CONNECTOR ASSEMBLY  
WIRE DRESS OPTION 9



80 CKT HARNESS CONNECTOR ASSEMBLY  
WIRE DRESS OPTION 9

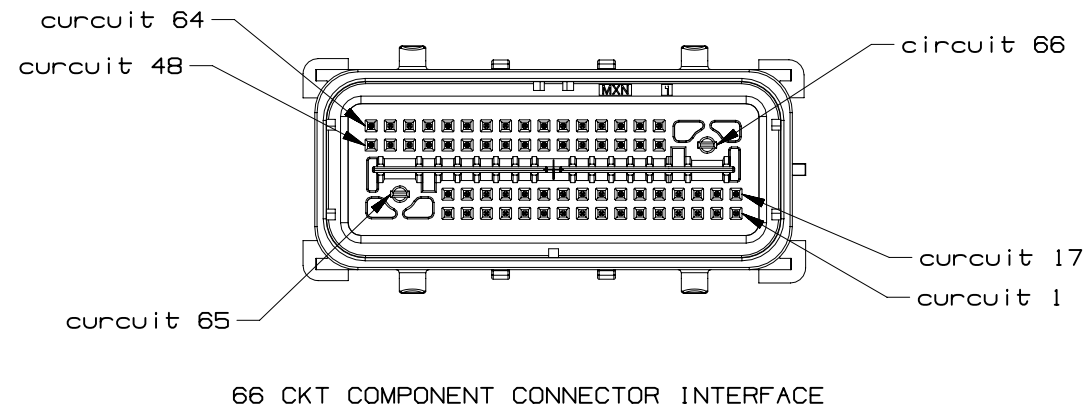
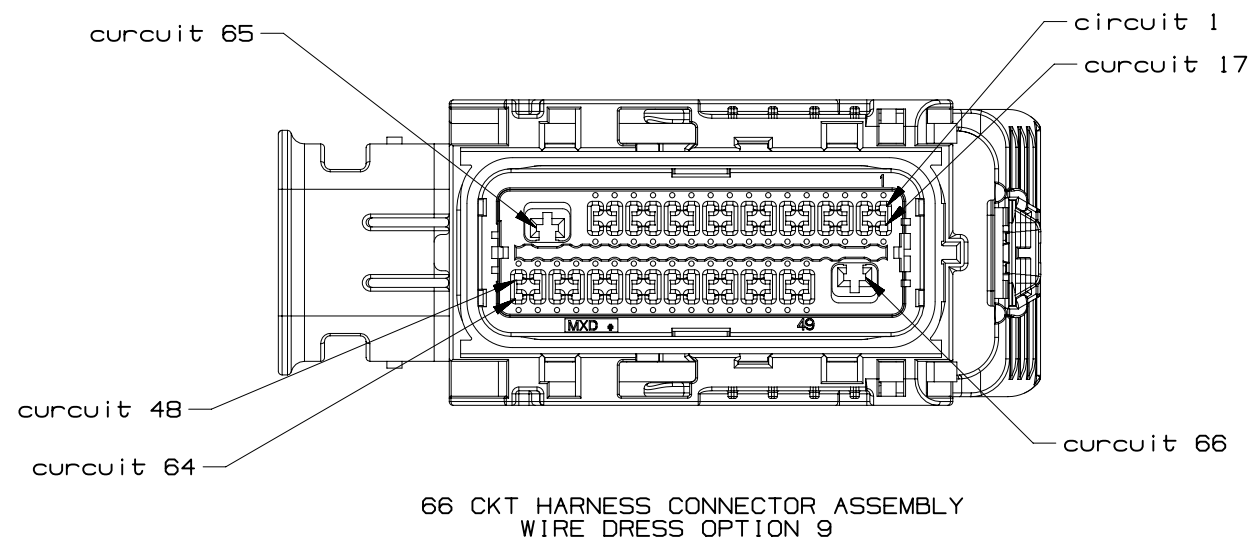
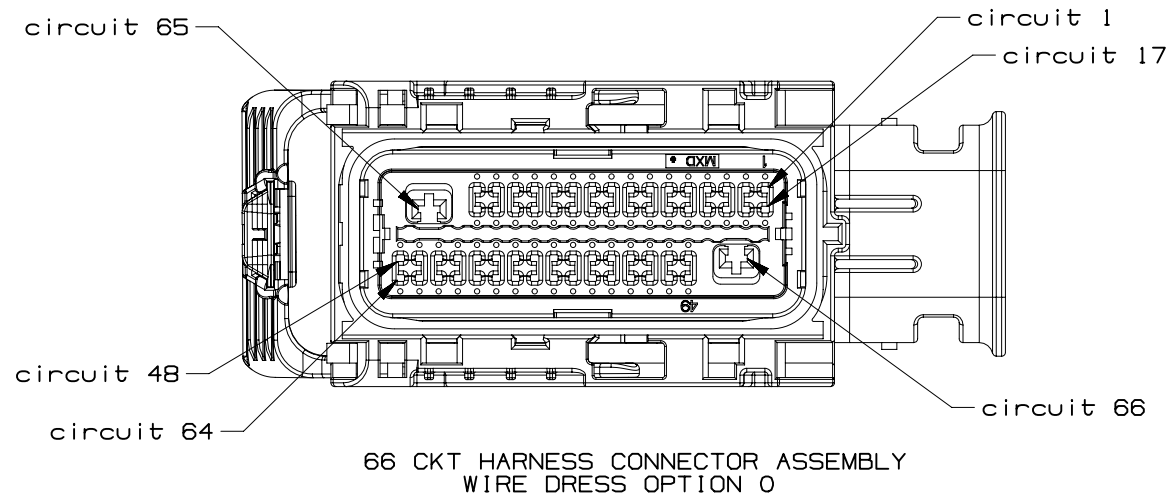


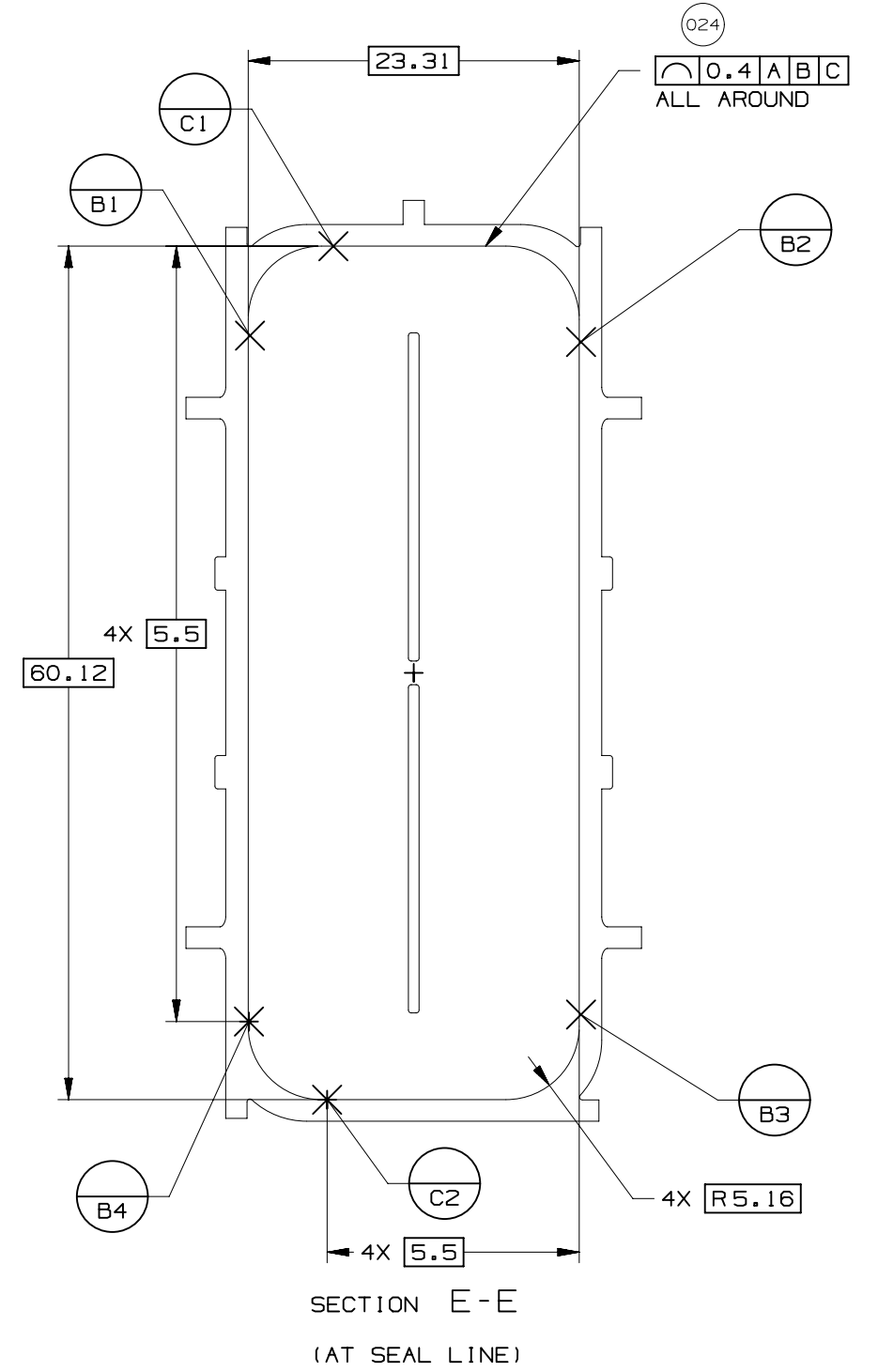
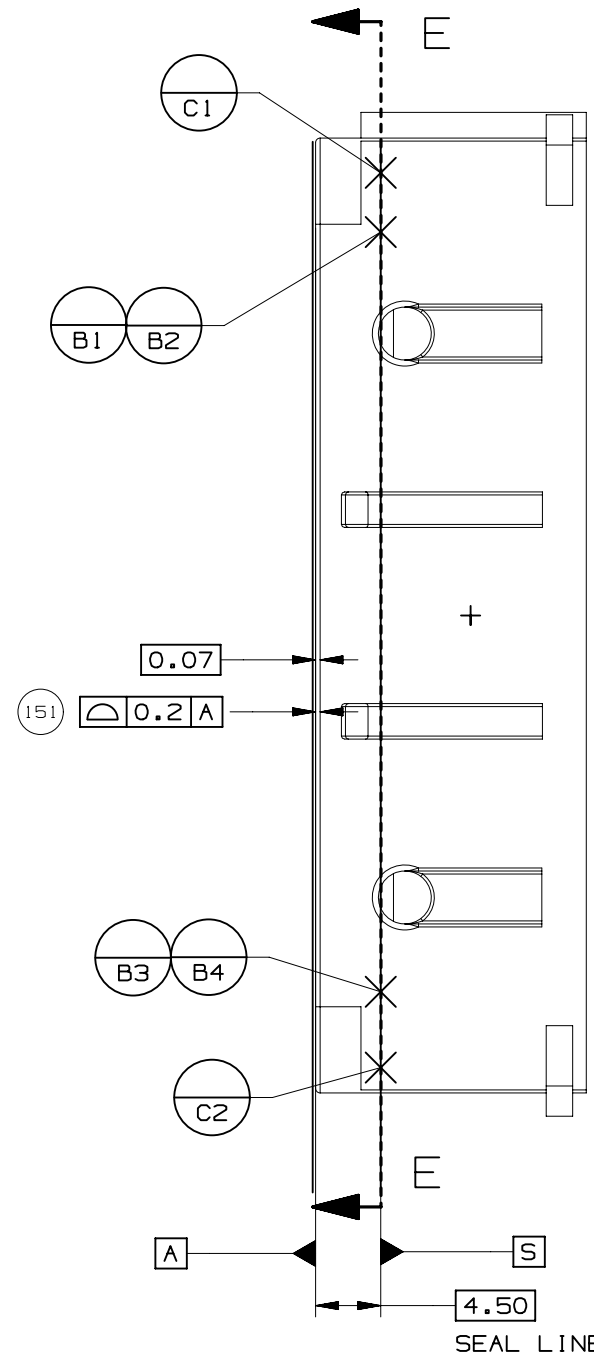
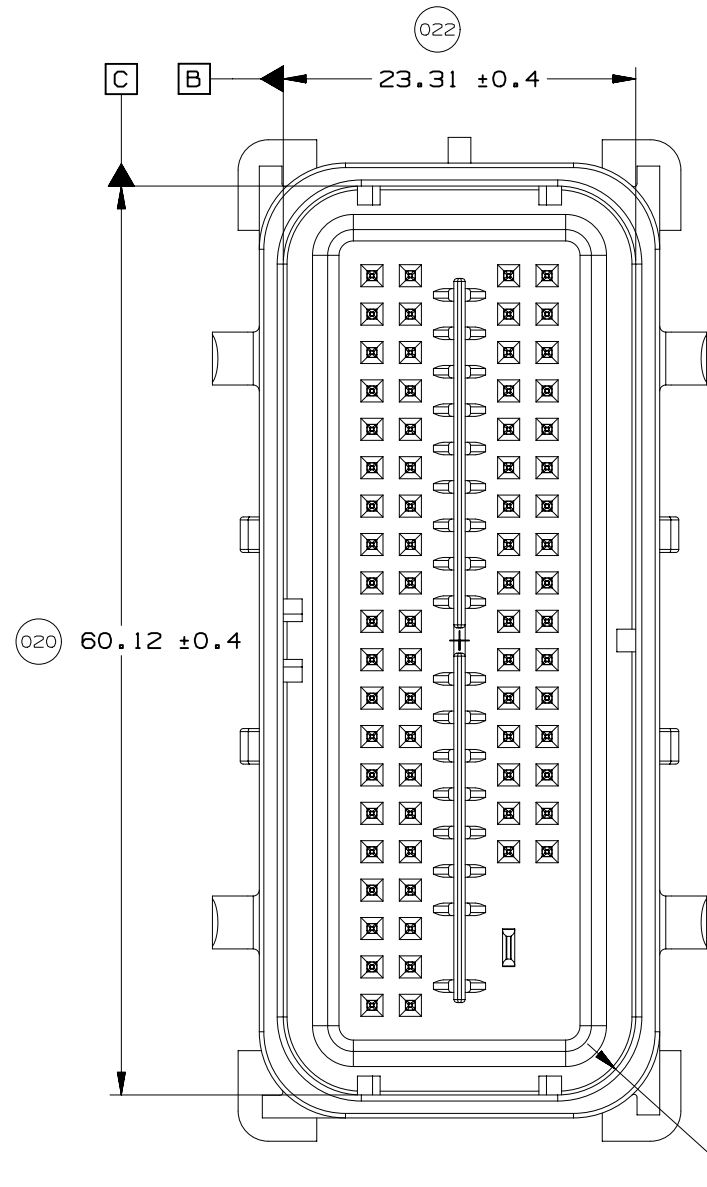
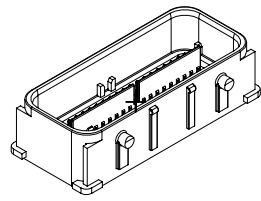
73 CKT COMPONENT CONNECTOR INTERFACE



80 CKT COMPONENT CONNECTOR INTERFACE







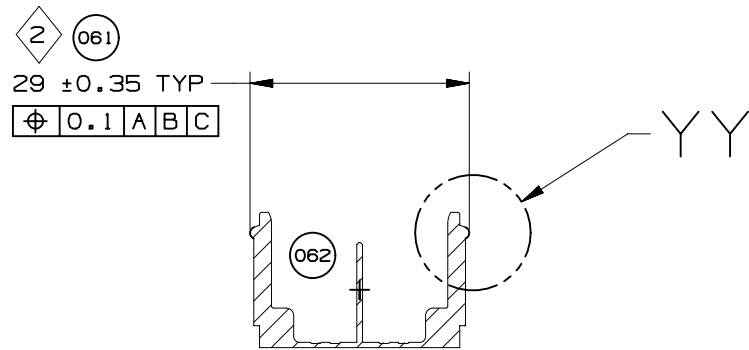
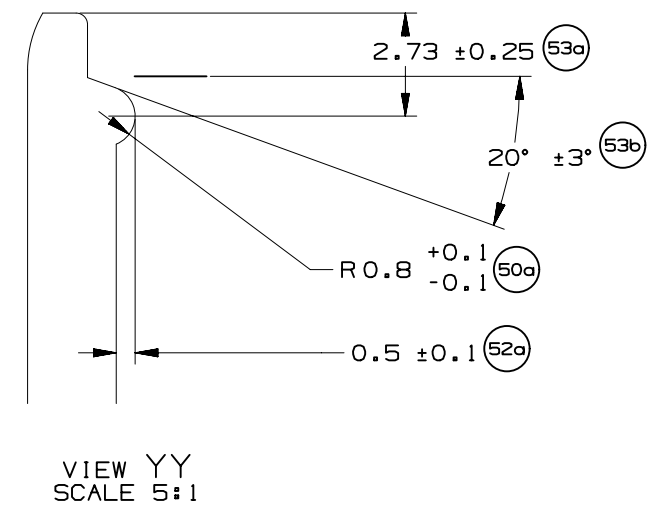
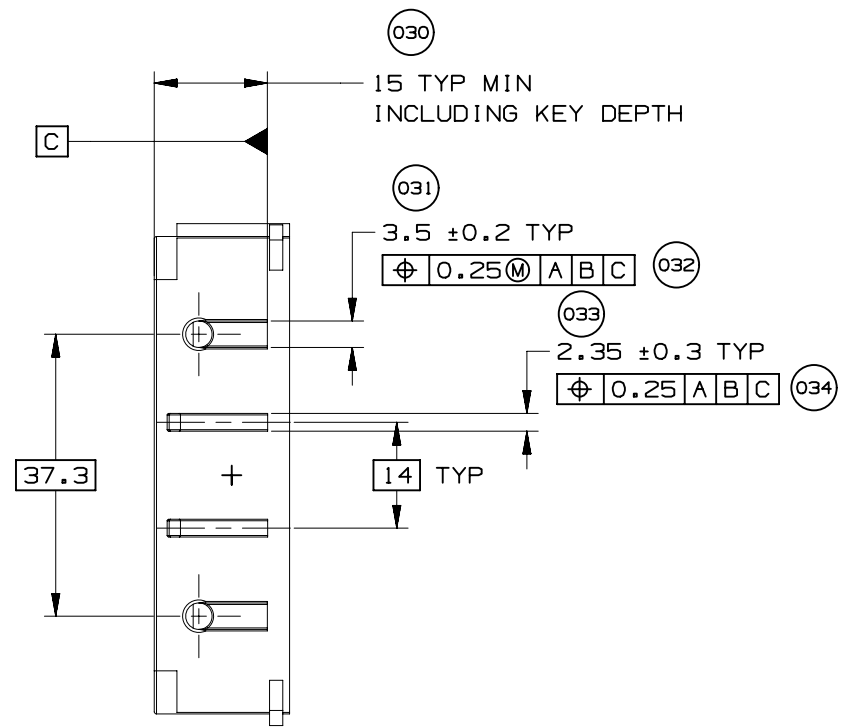
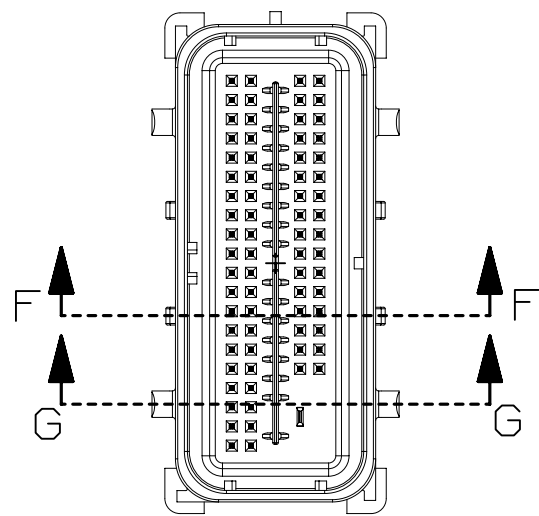
UNLESS SPECIFIED, TOLERANCE OF THE COMPONENT CONNECTOR INTERFACE TO BE  $\sqrt[0.13]{A B C}$



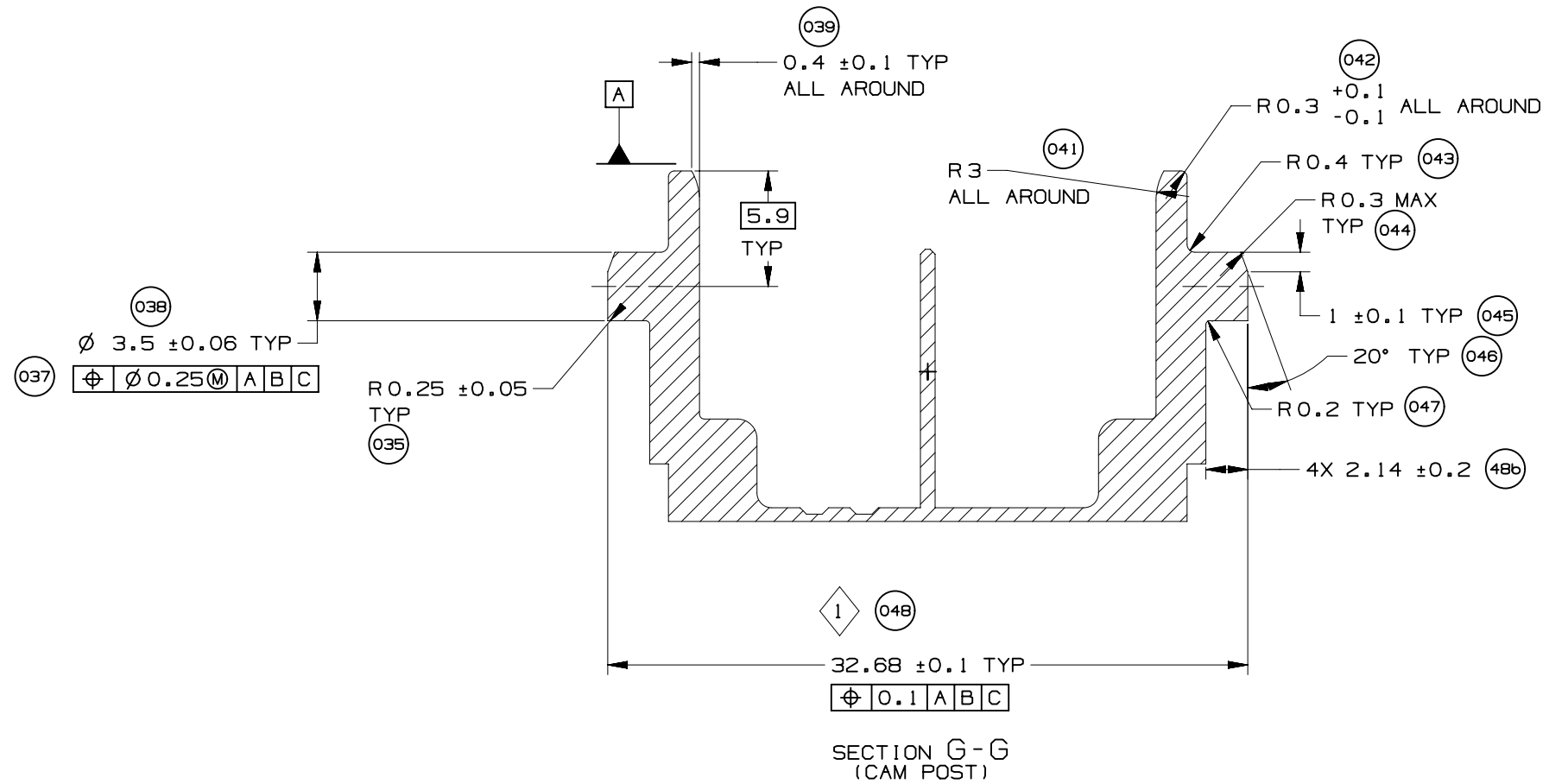
PAGE TITLE  
COMPONENT CONNECTOR INTERFACE

DRAWING NUMBER  
12642695

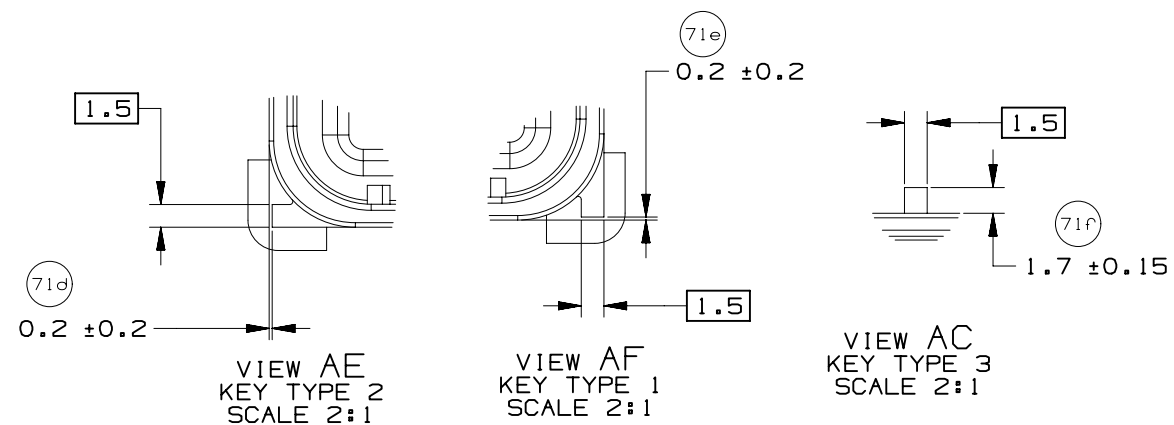
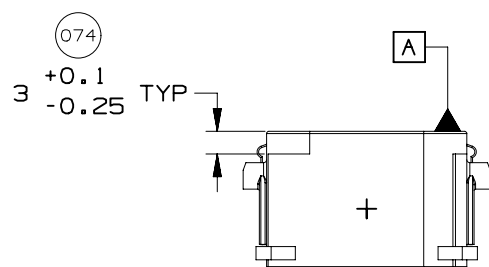
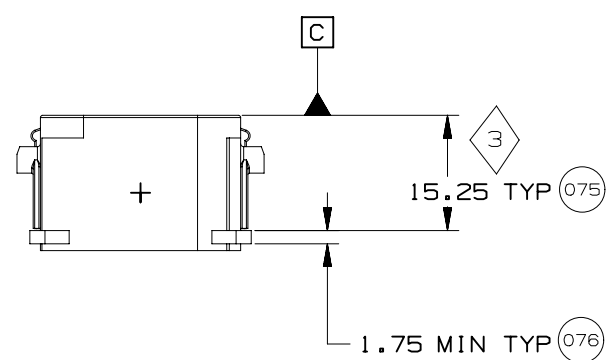
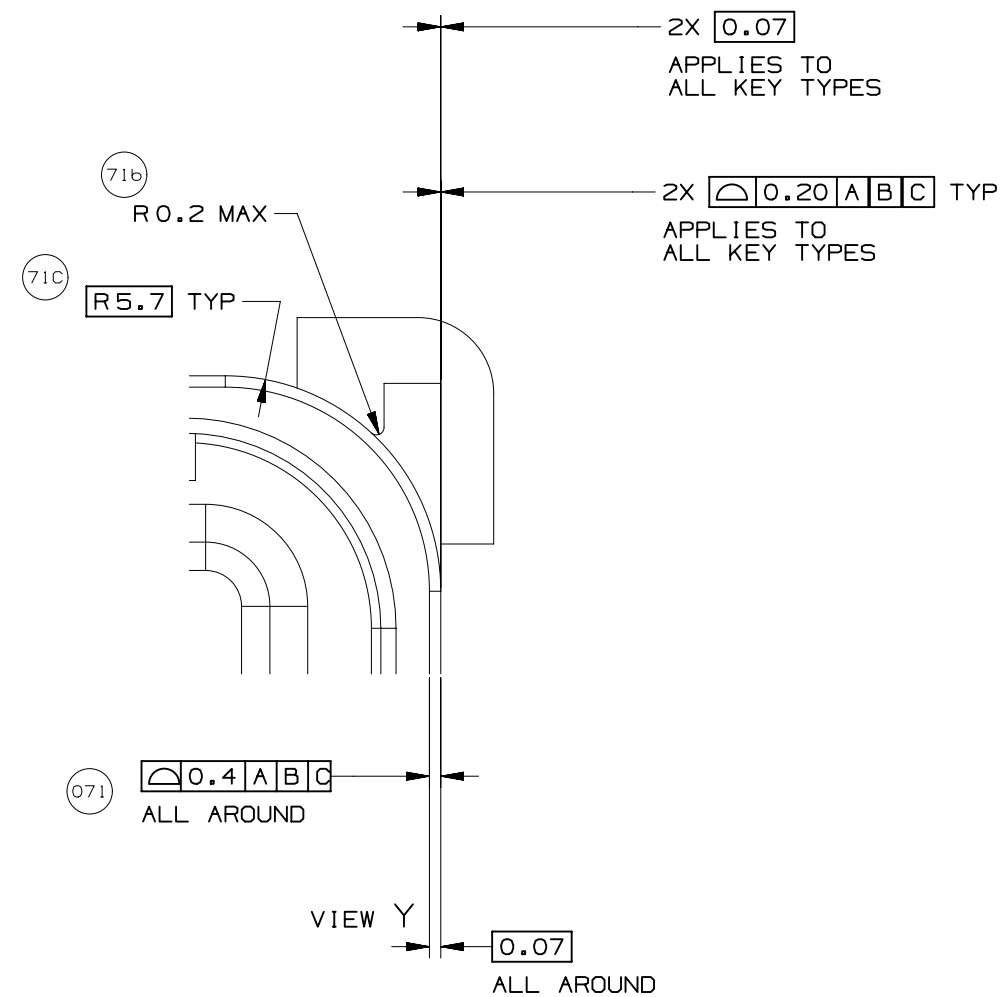
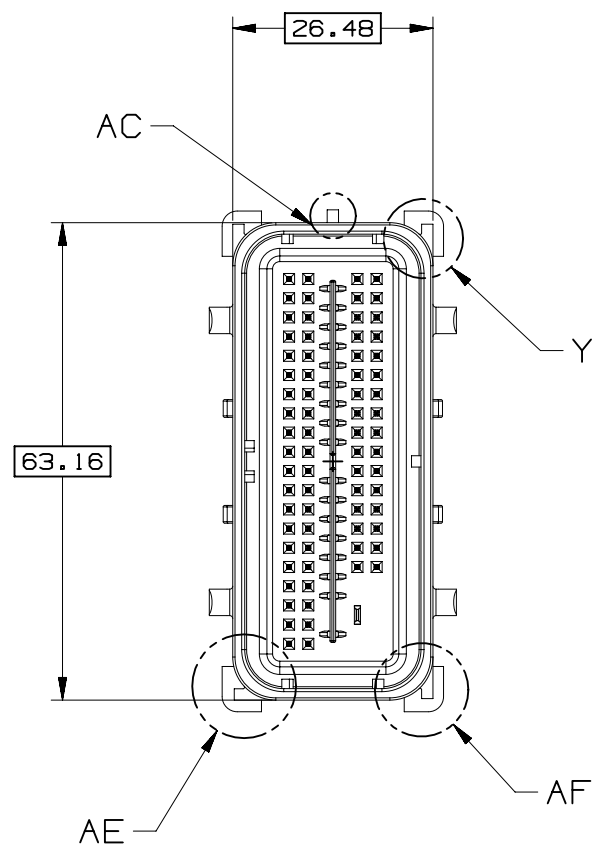
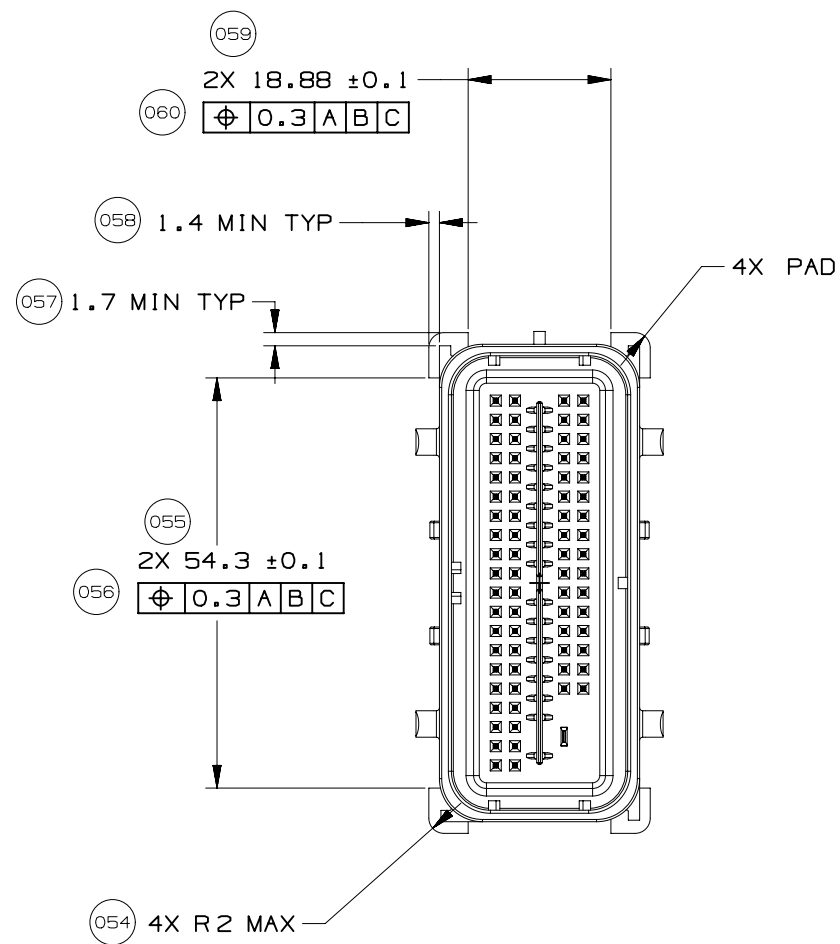
DWG STATUS			PAGE NUMBER
ST	REV	PD1	
R	002		15 OF 21



SECTION F-F



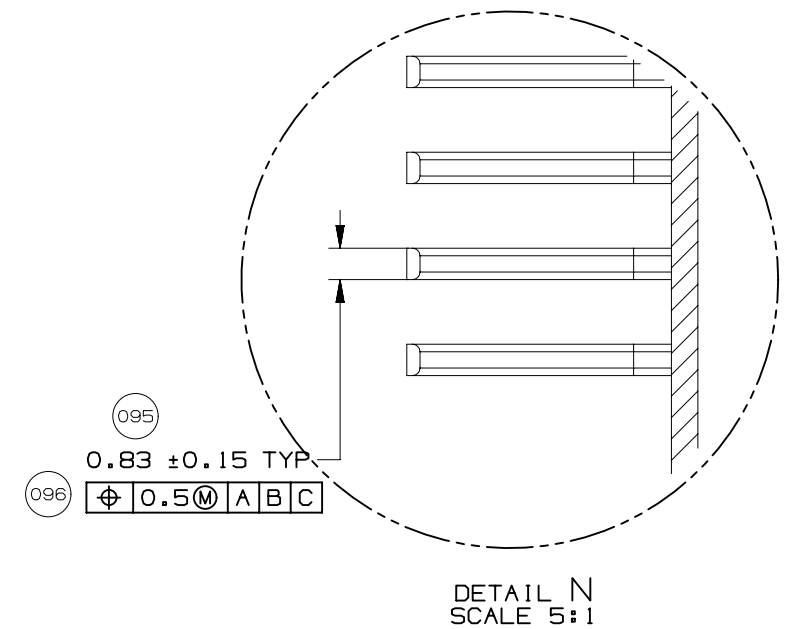
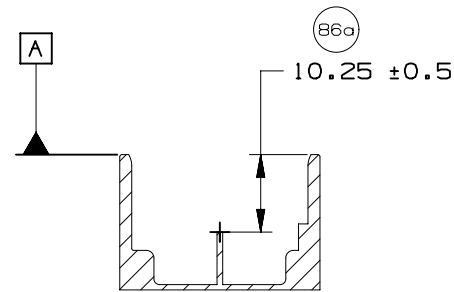
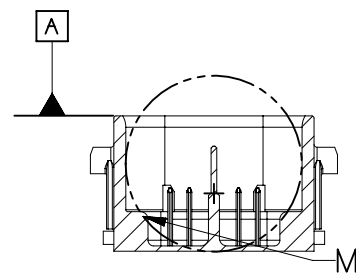
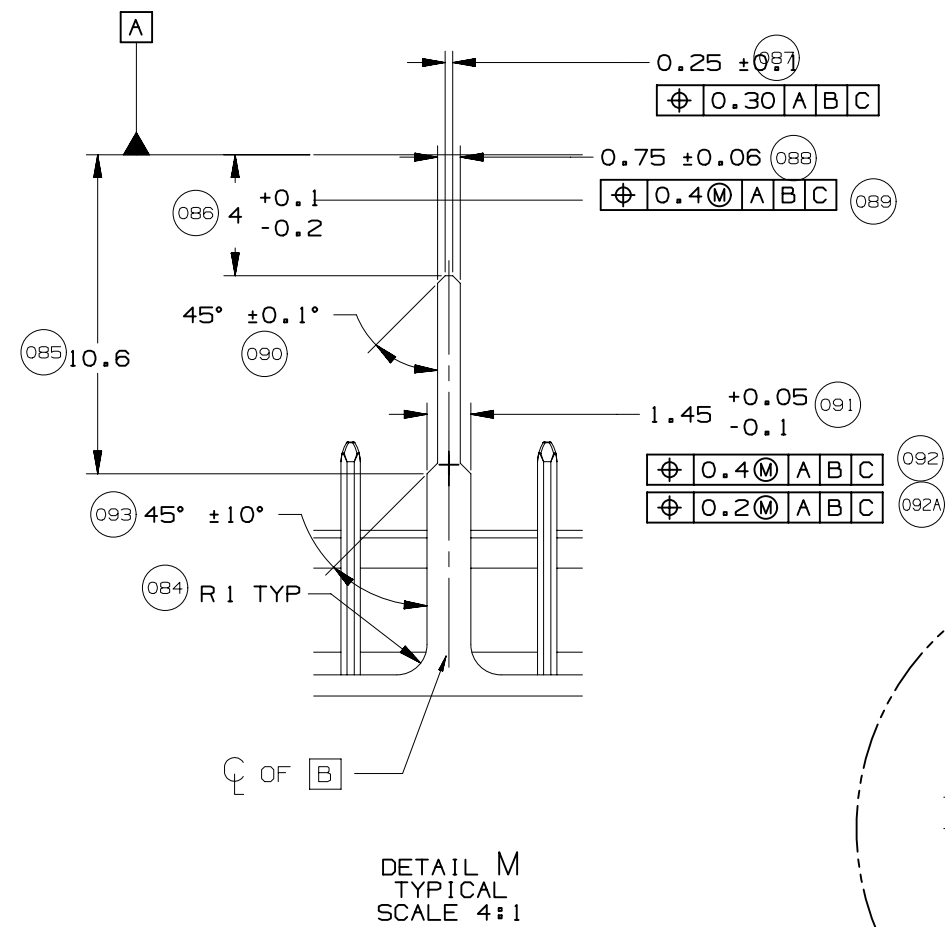
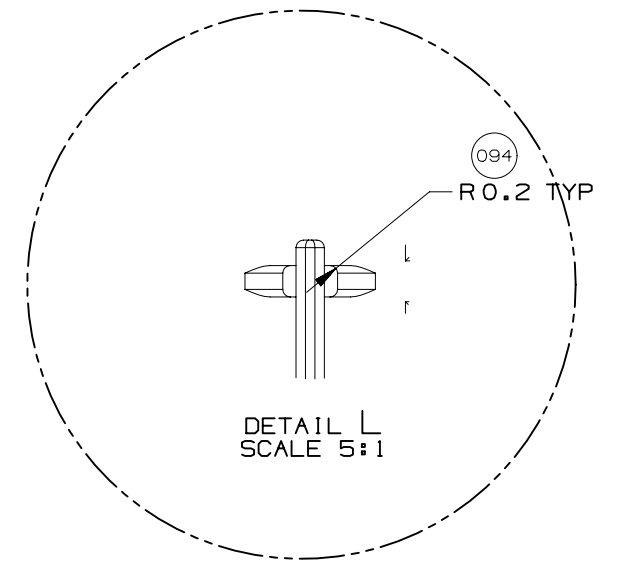
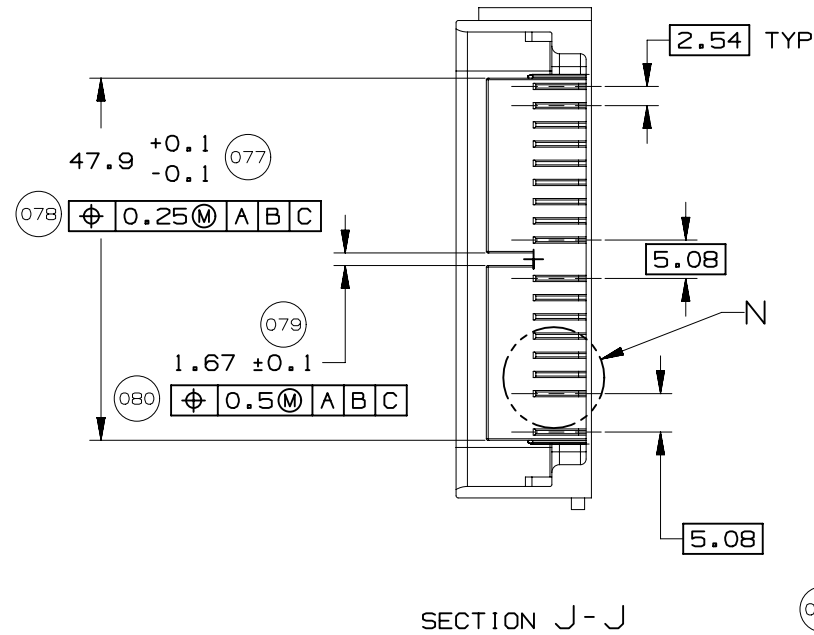
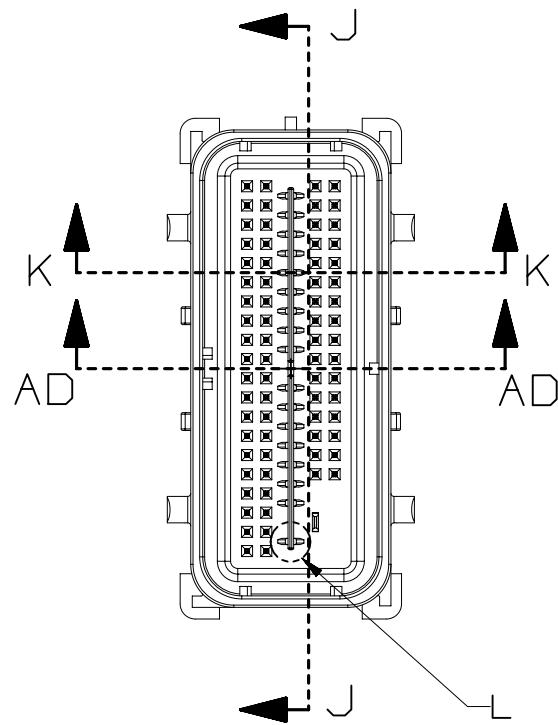




PAGE TITLE  
 COMPONENT CONNECTOR INTERFACE

DRAWING NUMBER  
 12642695

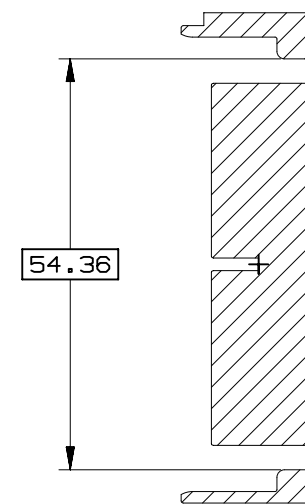
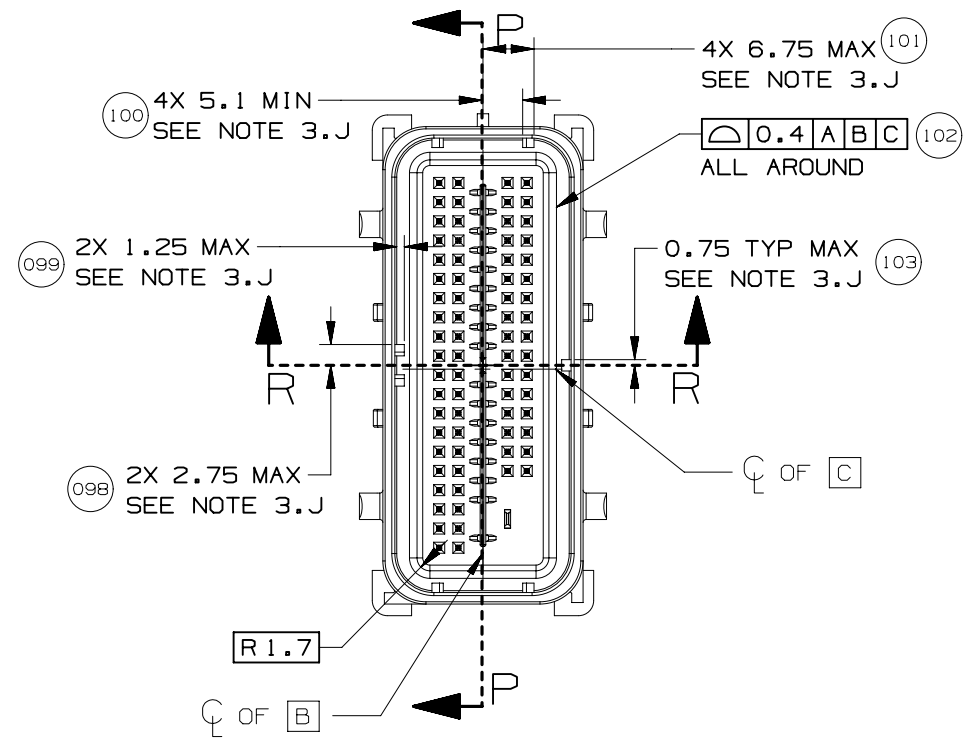
DWG STATUS			PAGE NUMBER	
ST	REV	PD1		
R	002		17	OF 21



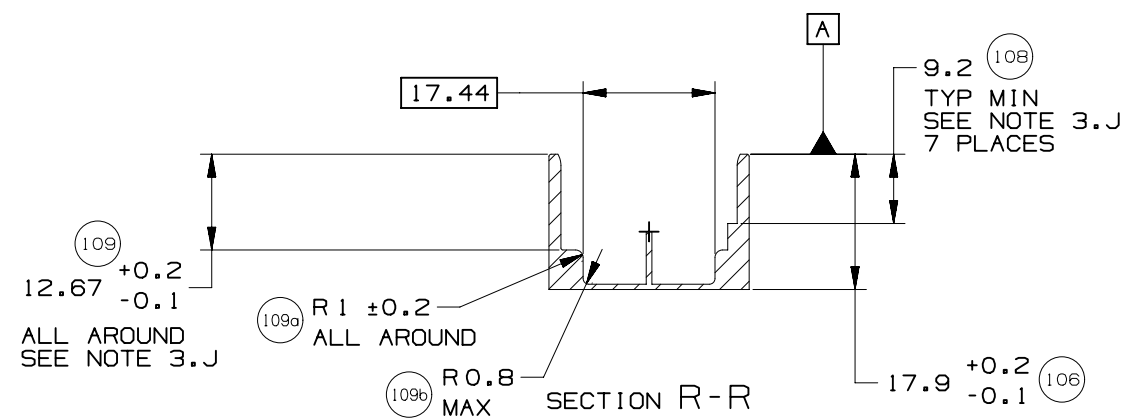
PAGE TITLE  
COMPONENT CONNECTOR INTERFACE

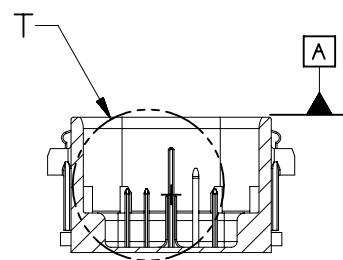
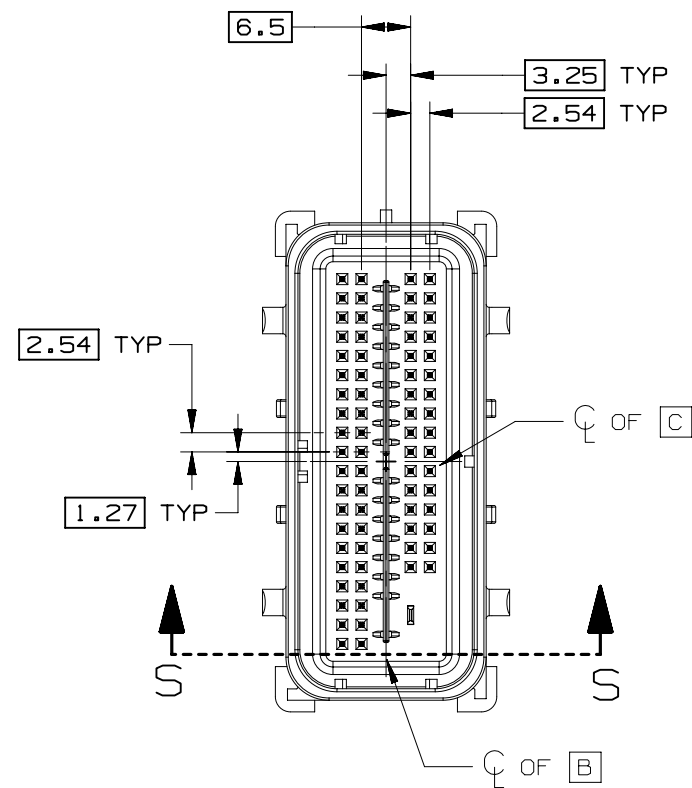
DRAWING NUMBER  
12642695

DWG STATUS			PAGE NUMBER
ST	REV	PD1	
R	002		18 OF 21

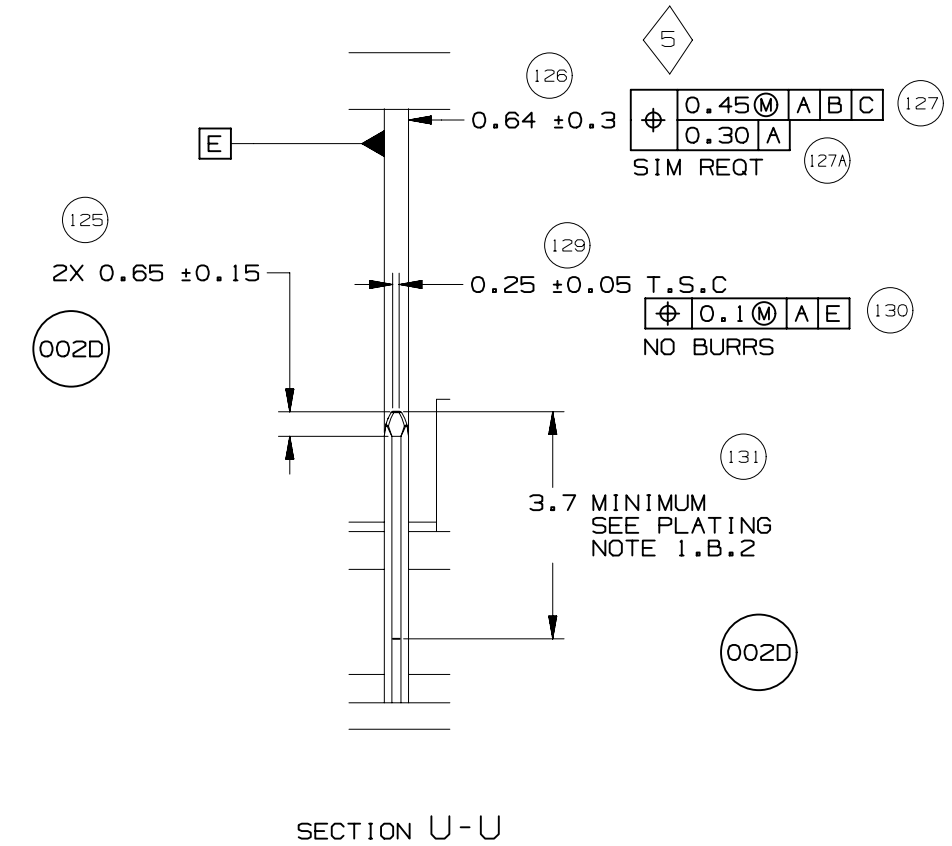
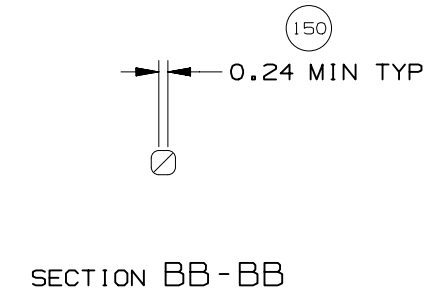
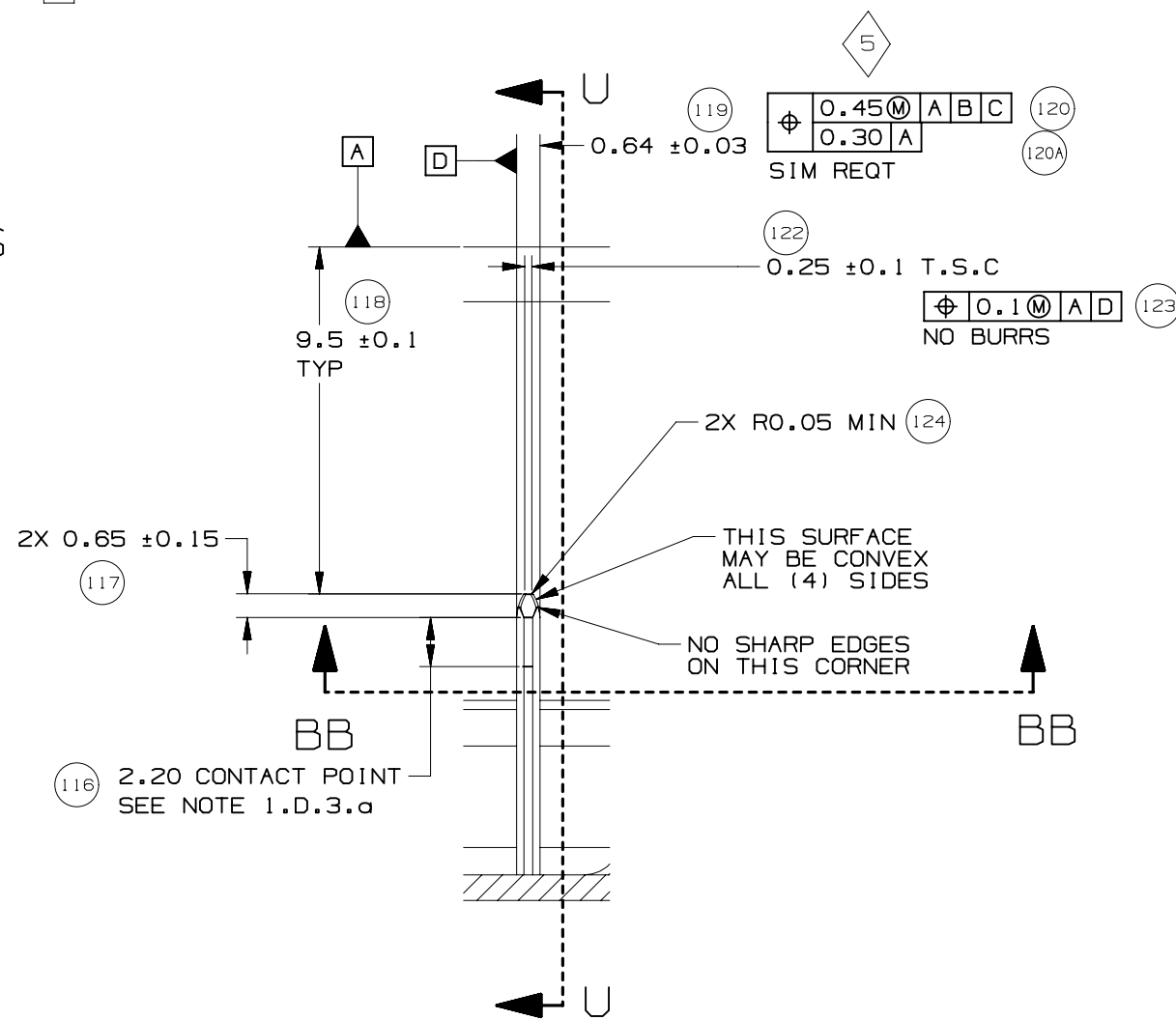


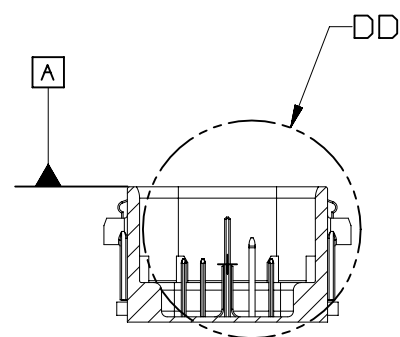
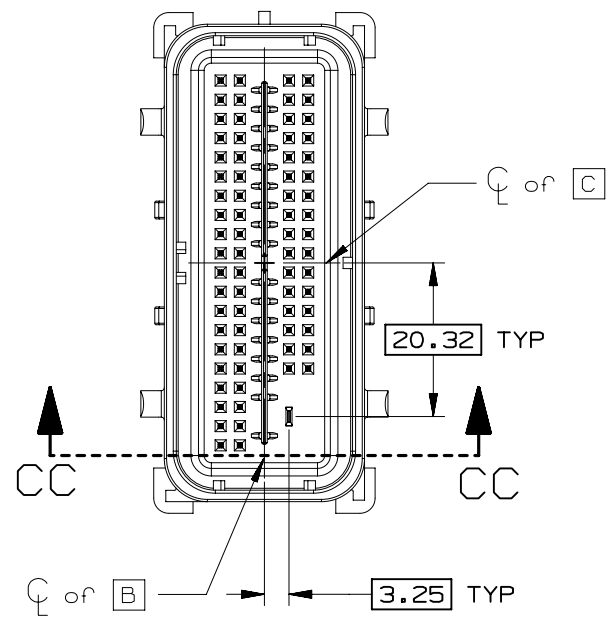
SECTION P-P



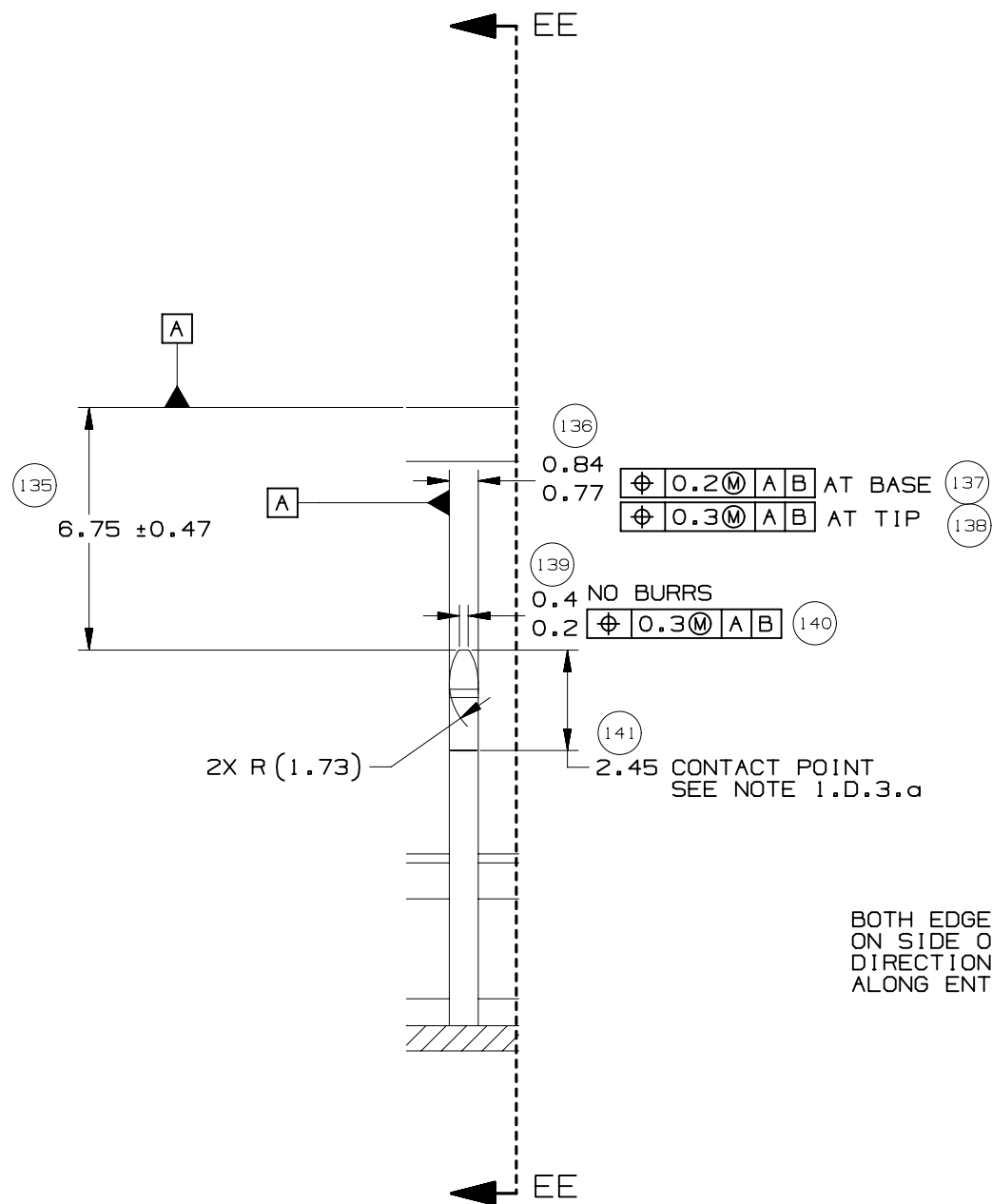


SECTION S-S

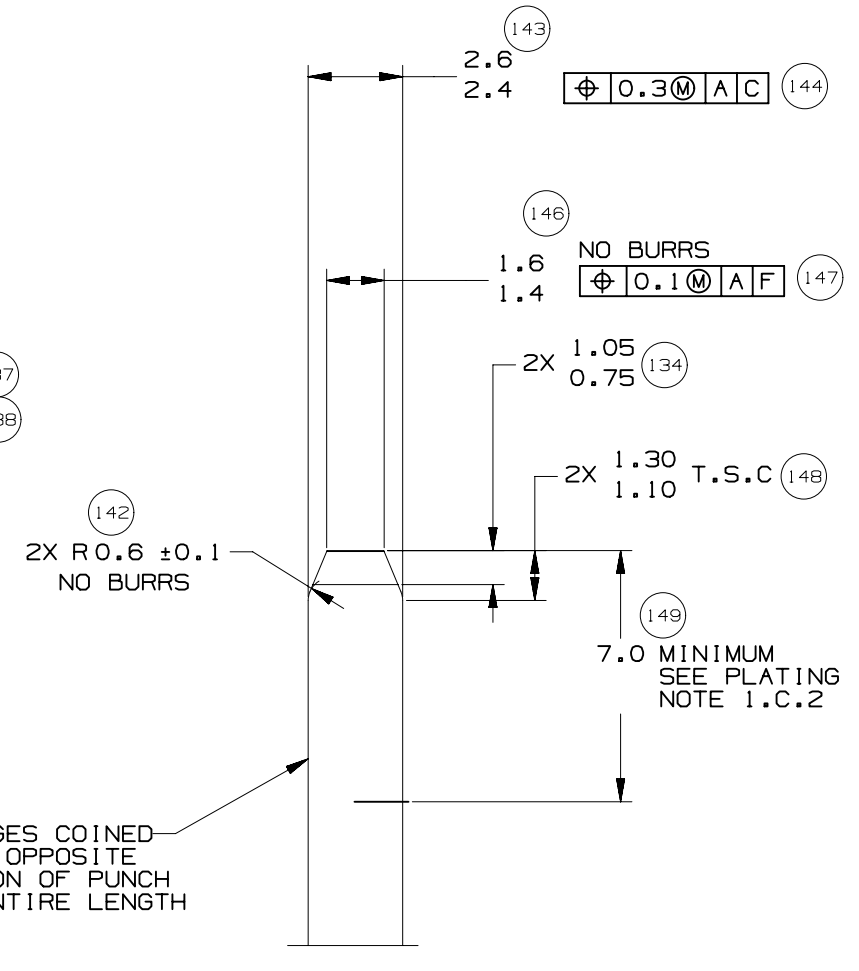




SECTION CC-CC



DETAIL DD  
TYPICAL  
SCALE 5:1

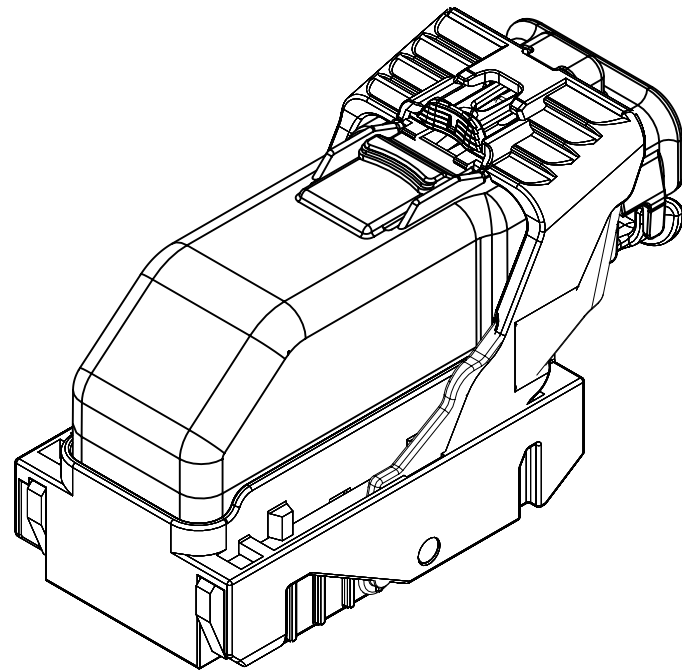


SECTION EE-EE  
TYPICAL


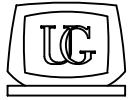
BOTH EDGES COINED  
ON SIDE OPPOSITE  
DIRECTION OF PUNCH  
ALONG ENTIRE LENGTH



INDEX	
PAGE TITLE	PAGE
TITLE BLOCK	1
REVISION BLOCK	2
PART BLOCK	3
KPC BLOCK	4
COMPONENT TABLE	5
NOTES	6
NOTES	7
WIRE DRESS PACKAGING DIMENSIONS	8
LOCATION AND PACKAGING DIMENSIONS REFERENCING INTERFACE DATUMS B & C	9
LOCATION AND PACKAGING DIMENSIONS REFERENCING INTERFACE DATUM A	10
KEY ID REF - WIRE DRESS OPTION 0	11
KEY ID REF - WIRE DRESS OPTION 9	12
CIRCUIT CONFIGURATIONS	13
CIRCUIT CONFIGURATIONS	14
COMPONENT CONNECTOR INTERFACE	15
COMPONENT CONNECTOR INTERFACE	16
COMPONENT CONNECTOR INTERFACE	17
COMPONENT CONNECTOR INTERFACE	18
COMPONENT CONNECTOR INTERFACE	19
COMPONENT CONNECTOR INTERFACE	20
COMPONENT CONNECTOR INTERFACE	21



ISO VIEW

	<p><b>UNLESS OTHERWISE SPECIFIED:</b> THIS DOCUMENT IS IN ACCORDANCE WITH ASME Y14.5M-1994 AS AMMENDED BY THE GM GLOBAL DIMENSIONING AND TOLERANCING ADDENDUM-1997. ALL GEOMETRIC TOLERANCES AND RELATED DATUMS APPLY RFS. RULE #1 (PERFECT FORM AT MMC) DOES NOT APPLY WHEN A RELATIONSHIP BETWEEN FEATURES IS ESTABLISHED BY ORIENTATION OR LOCATION TOLERANCES. SEPARATE POSITION CALLOUTS MAY BE GAGED SEPARATELY REGARDLESS OF DATUM REFERENCES.</p>			DATE						
	 CHANGE RESTRICTED NO MANUAL CHANGES	REFERENCE 12H (MOLEX AUTOMOTIVE)	DRAFTER J SZYMKOWSKI APVD1 D PFAFFINGER APVD2 B BURT APVD3 APVD4 APVD5	22DE05 22DE05 22DE05    						
DO NOT SCALE	DRAWING NAME HARNESS CONN ASM 66/73/80 CKTS									
METRIC DIMENSIONS SHOWN IN MILLIMETERS UNLESS OTHERWISE SPECIFIED	DRAWING NUMBER 12642695		DWG STATUS <table border="1"> <tr> <td>ST</td> <td>REV</td> <td>PD1</td> </tr> <tr> <td>R</td> <td>002</td> <td></td> </tr> </table>		ST	REV	PD1	R	002	
ST	REV	PD1								
R	002									
			PAGE NUMBER 1 OF 21							

PAGE	DWG STATUS					REVISION HISTORY	AUTH	DR	CK	ENG
	DATE	ST	REV	CHG	PDI					
	19DE11	R	001			RELEASED TO PRODUCTION AT DLS A	CRMRJB	SC	MRO	GF
3	08MY15	R	002	A		REORDERED PART BLOCK AND ADDED MASS CORRECTED P/N TYPO FROM 12562676 TO 12582676				
3, 5		R	002	B		ADDED 12659312, 12659313, 12653574 AND 12653575				
6		R	002	C		REMOVED NOTE 1 . D . 3 . C				
20		R	002	D		DIM 125 WAS 3.25 DIM 131 WAS 5.5	CRMRJD	DFK	MRO	GF

PAGE	DWG STATUS					REVISION HISTORY	AUTH	DR	CK	ENG
	DATE	ST	REV	CHG	PDI					





KEY PRODUCT CHARACTERISTICS  
(IN ACCORDANCE WITH QN 1805 OR ON 1050)



SAFETY/COMPLIANCE

TOTAL ON  
DRAWING

5



FIT/FUNCTION

LAST NO.  
USED

5

NO	TYPE	DESCRIPTION	RATIONALE	PAGE/ZONE
1	F/F	32.68	IMPROVE CONNECTOR SYSTEM MATING	15
2	F/F	29.00	INSURE PROPER RELEASE OF LEVER	15
3	F/F	15.25	INSURE FINAL MATE POSITION	16
5	F/F	POSITIONAL TOLERANCE (2 PLACES)	INSURE CONNECTOR SYSTEM MATEABILITY	19



PAGE TITLE  
KPC BLOCK

DRAWING NUMBER

12642695

DWG STATUS

ST	REV	PDI
----	-----	-----

R	002	
---	-----	--


PAGE NUMBER

4 OF 21

LINE	MFG.	MFG. P/N	GM P/N	EFFECTIVE DATE	APPLICABLE COMPONENTS	KEY OPTION	WIRE DRESS OPTION	KEY CONFIG.	COLOR	STATUS
					DESCRIPTION					
-										
1	MOLEX	34565-0003	12582676	02JN03	MX123 DRESS COVER 66/73/80 CKT	N/A	N/A	N/A	BLACK	AVAILABLE
2	MOLEX	34822-0013	12642692	01SP13	MX123 HRNS CONN ASSY 66 CKT	A	0	1458	BLACK	AVAILABLE
3	MOLEX	34822-0033	12659312	01SP13	MX123 HRNS CONN ASSY 66 CKT	C	0	2467	BLUE	AVAILABLE
4	MOLEX	34822-0023	12642693	01SP13	MX123 HRNS CONN ASSY 66 CKT	A	9	1458	BLACK	AVAILABLE
5	MOLEX	34822-0043	12659313	01SP13	MX123 HRNS CONN ASSY 66 CKT	C	9	2467	BLUE	AVAILABLE
6	MOLEX	34566-0103	12582677	11JN04	MX123 HRNS CONN ASSY 73 CKT	A	0	1458	BLACK	AVAILABLE
7	MOLEX	34566-0203	12582678	11JN04	MX123 HRNS CONN ASSY 73 CKT	B	0	1468	ST GRAY	AVAILABLE
8	MOLEX	34566-0303	12615654	09AP08	MX123 HRNS CONN ASSY 73 CKT	C	0	2467	BLUE	AVAILABLE
9	MOLEX	34566-0403	12647268	T.B.D	MX123 HRNS CONN ASSY 73 CKT	D	0	2367	BROWN	NOT ACTIVE
10	MOLEX	34566-0503	AMJ28633	T.B.D	MX123 HRNS CONN ASSY 73 CKT	E	0	2468	GREEN	NOT ACTIVE
11	MOLEX	34566-0603	12653574	05DC14	MX123 HRNS CONN ASSY 73 CKT	F	0	1357	NATURAL	AVAILABLE
12	MOLEX	34566-0703	12588057	09AP08	MX123 HRNS CONN ASSY 80 CKT	G	0	1358	BLUE	AVAILABLE
13	MOLEX	34566-0803	12588058	11JN04	MX123 HRNS CONN ASSY 80 CKT	H	0	2458	ST GRAY	AVAILABLE
14	MOLEX	34566-0903	12615656	T.B.D	MX123 HRNS CONN ASSY 80 CKT	J	0	2457	BLACK	NOT ACTIVE
15	MOLEX	34566-1003	AMJ28595	T.B.D	MX123 HRNS CONN ASSY 80 CKT	K	0	2357	BROWN	NOT ACTIVE
16	MOLEX	34566-1103	AMJ29057	T.B.D	MX123 HRNS CONN ASSY 80 CKT	L	0	2368	GREEN	NOT ACTIVE
17	MOLEX	34566-1203	AMJ28669	T.B.D	MX123 HRNS CONN ASSY 80 CKT	M	0	2358	NATURAL	NOT ACTIVE
18	MOLEX	34566-1303	12603596	11JN04	MX123 HRNS CONN ASSY 73 CKT	A	9	1458	BLACK	AVAILABLE
19	MOLEX	34566-1403	12603597	11JN04	MX123 HRNS CONN ASSY 73 CKT	B	9	1468	ST GRAY	AVAILABLE
20	MOLEX	34566-1503	12615655	09AP08	MX123 HRNS CONN ASSY 73 CKT	C	9	2467	BLUE	AVAILABLE
21	MOLEX	34566-1603	12647269	T.B.D	MX123 HRNS CONN ASSY 73 CKT	D	9	2367	BROWN	NOT ACTIVE
22	MOLEX	34566-1703	AMJ28698	T.B.D	MX123 HRNS CONN ASSY 73 CKT	E	9	2468	GREEN	NOT ACTIVE
23	MOLEX	34566-1803	12653575	05DC14	MX123 HRNS CONN ASSY 73 CKT	F	9	1357	NATURAL	AVAILABLE
24	MOLEX	34566-1903	12603598	09AP08	MX123 HRNS CONN ASSY 80 CKT	G	9	1358	BLUE	AVAILABLE
25	MOLEX	34566-2003	12603599	11JN04	MX123 HRNS CONN ASSY 80 CKT	H	9	2458	ST GRAY	AVAILABLE
26	MOLEX	34566-2103	12615657	T.B.D	MX123 HRNS CONN ASSY 80 CKT	J	9	2457	BLACK	NOT ACTIVE
27	MOLEX	34566-2203	AMJ29117	T.B.D	MX123 HRNS CONN ASSY 80 CKT	K	9	2357	BROWN	NOT ACTIVE
28	MOLEX	34566-2303	AMJ29136	T.B.D	MX123 HRNS CONN ASSY 80 CKT	L	9	2368	GREEN	NOT ACTIVE
29	MOLEX	34566-2403	AMJ29214	T.B.D	MX123 HRNS CONN ASSY 80 CKT	M	9	2358	NATURAL	NOT ACTIVE
30	MOLEX	34736-2002	12642697	01AU10	MX64 RCPT TERM Ag 18/20 GAGE B (RIGHT PAYOFF)	N/A	N/A	N/A	N/A	AVAILABLE
31	MOLEX	34736-2001	12642696	01AU10	MX64 RCPT TERM Ag 22 GAGE B (RIGHT PAYOFF)	N/A	N/A	N/A	N/A	AVAILABLE
32	MOLEX	34586-0001	T.B.D.	11JN04	MX123 0.64MM GROMMET PLUG	N/A	N/A	N/A	NATURAL	AVAILABLE
33	YAZAKI	7116-4150-02	12588066	02JN03	2.8mm YESC SEALED FEMALE TERMINAL TIN 20/22 GAGE (CABLE RANGE 0.30mm-0.60mm)	N/A	N/A	N/A	N/A	NOT ACTIVE
34	YAZAKI	7116-4151-02	12588067	02JN03	2.8mm YESC SEALED FEMALE TERMINAL TIN 16/18 GAGE (CABLE RANGE 0.75mm-1.40mm)	N/A	N/A	N/A	N/A	NOT ACTIVE
35	YAZAKI	7116-4152-02	12582685	02JN03	2.8mm YESC SEALED FEMALE TERMINAL TIN 14 GAGE (CABLE RANGE 1.50mm-2.50mm)	N/A	N/A	N/A	N/A	AVAILABLE
36	YAZAKI	7158-3111-60	12588068	02JN03	2.8mm CABLE SEAL (wire O.D. range 1.20mm-1.90mm)	N/A	N/A	N/A	GREEN	NOT ACTIVE
37	YAZAKI	7158-3112-70	12588069	02JN03	2.8mm CABLE SEAL (wire O.D. range 1.80mm-2.30mm)	N/A	N/A	N/A	YELLOW	NOT ACTIVE
38	YAZAKI	7158-3113-40	12582686	02JN03	2.8mm CABLE SEAL (wire O.D. range 2.18mm-3.00mm)	N/A	N/A	N/A	WHITE	AVAILABLE
39	YAZAKI	7158-3114-90	T.B.D	02JN03	2.8mm YESC CAVITY PLUG	N/A	N/A	N/A	BLUE	AVAILABLE
40	MOLEX	63811-4200	XX019825	02JN03	MX64 TERM HAND CRIMP TOOL	N/A	N/A	N/A	N/A	AVAILABLE
41	MOLEX	63813-1400	XX019826	02JN03	MX64 TERM SERVICE TOOL	N/A	N/A	N/A	N/A	AVAILABLE
42	MOLEX	63865-8000	XX019827	02JN03	MX64 CRIMP APPLICATOR with TOOL KIT 18/20 GAGE PAYOFF DIRECTION D (left payoff) (contact Molex for payoff detail)	N/A	N/A	N/A	N/A	AVAILABLE
43	MOLEX	63865-8070	XX019828	02JN03	MX64 APPLICATOR TOOL KIT 18/20 GAGE	N/A	N/A	N/A	N/A	AVAILABLE
44	MOLEX	63865-8100	XX019829	02JN03	MX64 CRIMP APPLICATOR with TOOL KIT 22 GAGE PAYOFF DIRECTION D (left payoff) (contact Molex for payoff detail)	N/A	N/A	N/A	N/A	AVAILABLE
45	MOLEX	63865-8170	XX019830	02JN03	MX64 APPLICATOR TOOL KIT 22 GAGE	N/A	N/A	N/A	N/A	AVAILABLE
46	SPX	J35616-64	T.B.D.	02JN03	0.64mm PROBE TOOL (for rcpt)	N/A	N/A	N/A	N/A	AVAILABLE
47	SPX	J35616-64A	T.B.D.	02JN03	0.64mm PROBE TOOL WITH EXT (for rcpt)	N/A	N/A	N/A	N/A	AVAILABLE
48	SPX	J35616-65	T.B.D.	02JN03	0.64mm PROBE TOOL WITH EXT (for pin)	N/A	N/A	N/A	N/A	AVAILABLE
49	SPX	J35616-4A	T.B.D.	02JN03	2.8mm PROBE TOOL (for rcpt)	N/A	N/A	N/A	N/A	AVAILABLE
50	YAZAKI	X39899-J374	12094430	02JN03	2.8mm TERM SERVICE TOOL	N/A	N/A	N/A	N/A	AVAILABLE

002B

\* - MX123 DRESS COVER 73/80/66 CKT MATES TO ANY MX123 HARN CONN ASSY SHOWN ON TABLE ABOVE

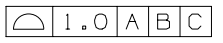
	PAGE TITLE	DRAWING NUMBER	DWG STATUS			PAGE NUMBER
	COMPONENT TABLE	12642695	ST	REV	PDI	5 OF 21
			R	002		

NOTES: UNLESS OTHERWISE SPECIFIED

1. MATERIAL FOR INTERFACE:

- A. RESIN:
  - 1. 30% G.F. PBT; 20% MAX. (BY WEIGHT) REGRIND.
  - 2. MATING CONNECTOR INTERFACE PART COLOR MUST BE SAME AS MATCHING KEYED HARNESS CONNECTOR ASSEMBLY.
  - 3. MUST BE VALIDATED FOR INDIVIDUAL DEVICE APPLICATION REQUIREMENTS.
- B. 0.64MM PINS:
  - 1. BASE MATERIAL: COPPER ALLOY; CONDUCTIVITY >= 28% IACS AT 20°C; TENSILE STRENGTH >= 635 N/mm<sup>2</sup>; SURFACE ROUGHNESS R<sub>a</sub> 6 MAX.
  - 2. PLATING FINISH: SILVER (Ag). PLATING TO BE 1.9-3.3 μm ELECTRODEPOSITED SEMI-BRIGHT SILVER OVER 1.25-2.25 μm DUCTILE SULPHAMATE NICKEL PER NOTE 1(D).
  - 3. ANTI-TARNISH: SYNTHETIC HYDROCARBON CONTACT SURFACE FINISH OR EQUIVALENT APPLIED WITHOUT VOID TO CONTACT AREA (MIN 3.7mm FROM PIN TIP).
- C. 2.8MM BLADE:
  - 1. BASE MATERIAL: COPPER ALLOY; CONDUCTIVITY >= 28% IACS AT 20°C; TENSILE STRENGTH >= 350 N/mm<sup>2</sup>; SURFACE ROUGHNESS R<sub>a</sub> 6 MAX.
  - 2. PLATING FINISH: TIN. PLATING TO BE 2.5-5.0 μm ELECTRODEPOSITED TIN, MATTE FINISH OVER 1.25-2.5 μm DUCTILE SULPHAMATE NICKEL PER NOTE 1(D).
- D. PLATING REQUIREMENTS:
  - 1. SILVER PLATING
    - a. 99.5% PURE SEMI-BRIGHT WITH NO ORGANIC BRIGHTNERS OR CHROMATES.
  - 2. NICKEL PLATING
    - a. ELECTRODEPOSITED DUCTILE SULFAMATE NICKEL WITH A NON-BRIGHTENED FINISH. NO ORGANIC OR BRIGHTENING AGENTS SHALL BE ALLOWED.
    - b. SHALL ONLY BE USED AS AN UNDERLYING PLATING AND MAY NOT BE USED AS AN ELECTRICAL CONTACT SURFACE PLATING.
    - c. SHALL BE NODULE FREE WHEN VIEWED AT 10X MAGNIFICATION IN MEASURED IN CONTACT SURFACE AREA PLUS 0.5MM PERIMETER AROUND THE CONTACT SURFACE AREA.
    - d. ALL PLATINGS SHALL HAVE A 1.0% MAXIMUM BY WEIGHT IMPURITIES. IMPURITIES ARE DEFINED AS ALL ELEMENTS NOT THE PRIMARY PLATING OR HARDENING AGENT IF APPLICABLE, AS DETERMINED BY WET CHEMICAL ANALYSIS OR AUGER METHOD. NO SINGLE IMPURITY SHALL EXCEED 0.1% MAXIMUM BY WEIGHT.
  - 3. TESTING
    - a. THICKNESS TO BE MEASURED IN CONTACT SURFACE AREA PLUS 0.5MM PERIMETER AROUND THE CONTACT SURFACE AREA AS DESIGNATED IN THE DRAWING. THICKNESS SHALL BE DETERMINED BY METHOD OF X-RAY (XRF).
    - b. PLATING ADHESION SHALL BE TESTED BY A BEND TEST FOR ALL METALS. THE TEST SAMPLE SHALL BE BENT 90 DEGREES TO DETERMINE DEPOSIT ADHESION. TESTING SHALL BE COMPLETED IN ACCORDANCE WITH ASTM SPEC B571.


2. DESIGN - GENERAL:

- A. THIS IS A 100% CAD GENERATED PART. THE CAD MATHEMATICAL DATA IS THE MASTER FOR THIS PART. FOR DIMENSIONAL OR ANY INFORMATION NOT SHOWN ON THIS DRAWING, ANALYZE THE CAD MODEL.
- B. TOLERANCES:
  - 1. LINEAR
    - 0.X ± 0.30
    - 0.XX ± 0.10
    - 0.XXX ± 0.10
  - 2. ANGULAR X° ± 3°
  - 3. 
- C. MINIMUM WALL THICKNESS REQUIRED: 1.3mm.
- D. CORNERS SHOWN AS SHARP TO BE R 0.2 MAX.
- E. LETTERING SHALL BE 0.15 MAX RAISED IN 0.20 MAX RECESS PAD. THIS INCLUDES MATERIAL CODE, RECYCLING CODE, CAVITY ID AND DATE CODE.
- F-1. PARTS MUST BE FREE OF DISCOLORATION, SALT RESIDUE AND OTHER IMPERFECTIONS THAT AFFECT FIT OR FUNCTION.
- F-2. SCRATCHES OR DENTS NOT TO EXCEED 0.013mm IN DEPTH.
- G. FOLLOWING PRODUCTION CODES TO BE PERMANENTLY MARKED & HUMAN READABLE TO A LETTER HEIGHT OF 1.5 ± 0.5MM X 0.3 MAX DEEP
  - 1. MATERIAL #: XXXXX-XXXX
  - 2. DATE CODE: JJJY (JULIAN DAY, LAST DIGIT OF YEAR)
  - 3. INSPECTION MACHINE CODE + SERIAL #: X\_XXXXX

3. DESIGN - MANUFACTURING:

- A. DRAFT TO BE WITHIN TOLERANCE.
- B. ALLOWABLE FLASH MAX 0.2 HIGH X MAX 0.13 THICK.
- C. ALLOWABLE PARTING LINE MISMATCH 0.2 MAX.
- D. EJECTOR PINS MARK TO BE FLUSH TO 0.25 MAX DEPRESSED.
- E. ALLOWABLE GATE VESTIGE FLUSH TO 0.25 MAX PROTRUSION.
- F. NO EXTERNAL MOLD RELEASE AGENT ALLOWED DURING MANUFACTURING.
- G. STEEL THAT FORMS THE INDICATED SURFACE MUST BE POLISHED WITH A DIAMOND FINISH (SPI A-2) OVER THE FULL PERIPHERY OF THE TOOL. SURFACE MUST HAVE NO MISMATCH.
- H. ANY PROCESS LUBRICANT REMAINING ON THE TERMINAL MUST NOT VARNISH OR DEGRADE IT'S ELECTRICAL PERFORMANCE UP TO A MAXIMUM CLASS AMBIENT TEMPERATURE PER SAE USCAR-2 FOR 1008 HOURS. PROCESS LUBRICANTS SHOULD BE APPROVED BY THE RESPONSIBLE ENGINEER.
- J. OPTIONAL FEATURES PROVIDED FOR AUTOMATION.
- K. PART MUST BE FREE FROM BURRS AND SHARP EDGES, WHICH MIGHT BE DETRIMENTAL TO SATISFACTORY ASSEMBLY, SAFE HANDLING OR FUNCTION OF PART.
- L. PARTS AS DELIVERED TO ASSEMBLY SHALL BE CLEAN AND FREE OF DEBRIS, RESIDUAL ABRASIVE MATERIAL AND CORROSION PRODUCTS ADVERESLY AFFECTING FUNCTION OR APPEARANCE.
- M. RESTRICTED AND REPORTABLE SUBSTANCES FOR PARTS PER GMW3059.

002C

	PAGE TITLE	DRAWING NUMBER	DWG STATUS			PAGE NUMBER	
	NOTES		12642695	ST	REV	PDI	6 OF 21
				R	002		

NOTES: UNLESS OTHERWISE SPECIFIED

4. SYSTEM REQUIREMENTS:

- A. HARNESS CONNECTOR IS COMPATIBLE WITH THE FOLLOWING SAE WIRE SIZE NO'S:
  - 14, MEETING SAE J1128
  - 18, MEETING SAE J1128, MAX O.D. OF 2.06 MM
  - 20, MEETING SAE J1128
  - 22, MEETING SAE J1128, MIN O.D. OF 1.47 MM
- B. CABLE TIE SPECIFICATIONS:
  - 1. CABLE TIE:
    - TENSILE RATING: 220N / (50lbs) MIN
    - TIE LENGTH: 186mm MIN
    - TIE WIDTH: 4.75mm MAX
    - MATERIAL: NYLON
  - 2. INSTALLATION:
    - CABLE TIE TENSION: 190N MIN
  - 3. DRESSED WIRE BUNDLE PACKAGING: SEE FIG. 1
- C. WHEN MATED WITH COMPONENT CONNECTOR INTERFACE AND/OR DRESS COVER, HARNESS CONNECTOR SYSTEM CONFORMS TO THE FOLLOWING:
  - 1. SAE/USCAR-2, REV: 3 APRIL, 2001; CLASS 3
  - 2. FIELD CORRELATED LIFE TEST, SAE/USCAR-20, NOV. 2001
  - 3. GMW #3191 AUGUST 22, 2000 (DRAFT); TEMPERATURE CLASS 3, SEALING CLASS 1, VIBRATION CLASS 2
  - 4. RESTRICTED AND REPORTABLE CHEMICALS PER GMW #3059, REV: D AUGUST 2002
  - 5. TPA USER FORCES (FULLY POPULATED WITH TERMINALS)
    - a. REMOVAL FROM LOCK TO PRE-SET: <=120N
- D. WIRE SPECIFICATIONS:
  - 1. WIRE SURFACE MUST BE FREE OF SCRATCHES, GROOVES OR DENTS WHERE FUNCTIONAL

5. TERMINAL CURRENT RATINGS:

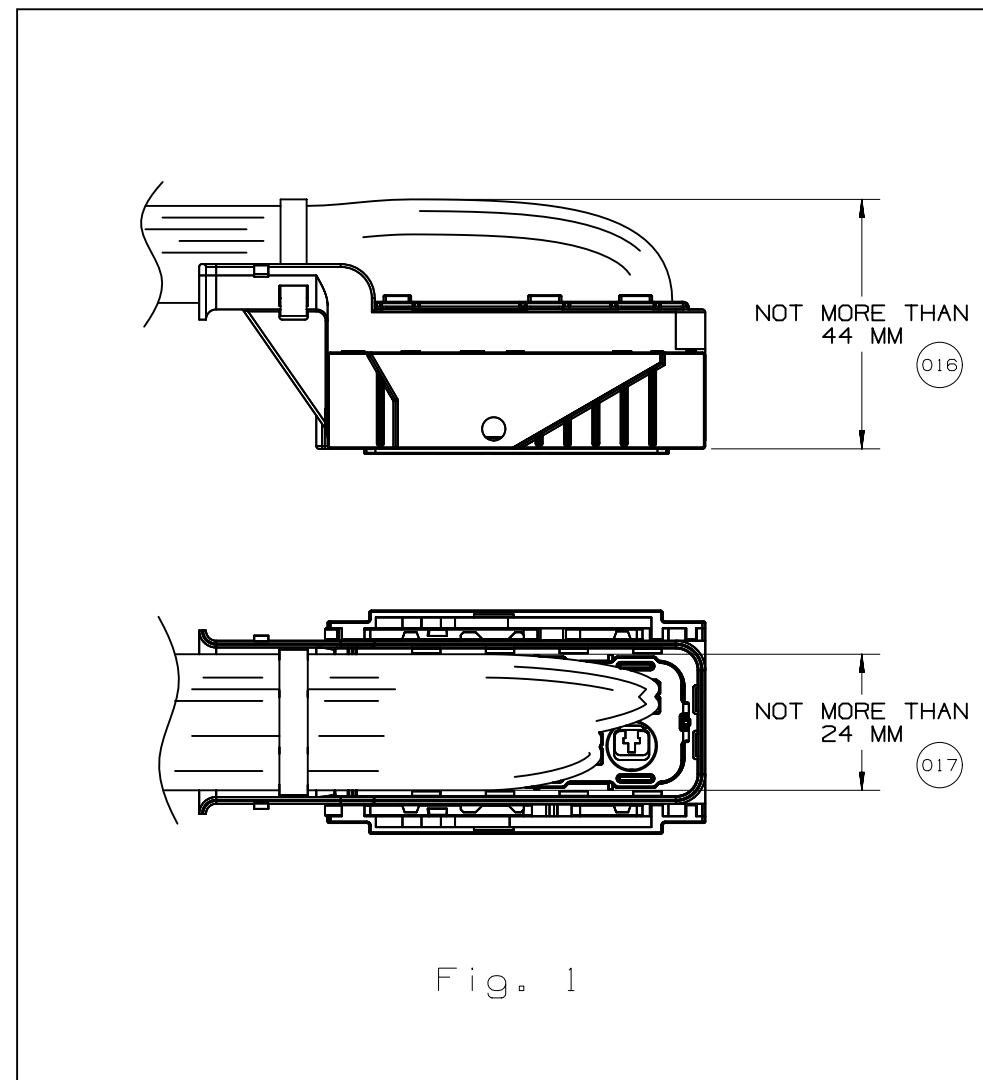
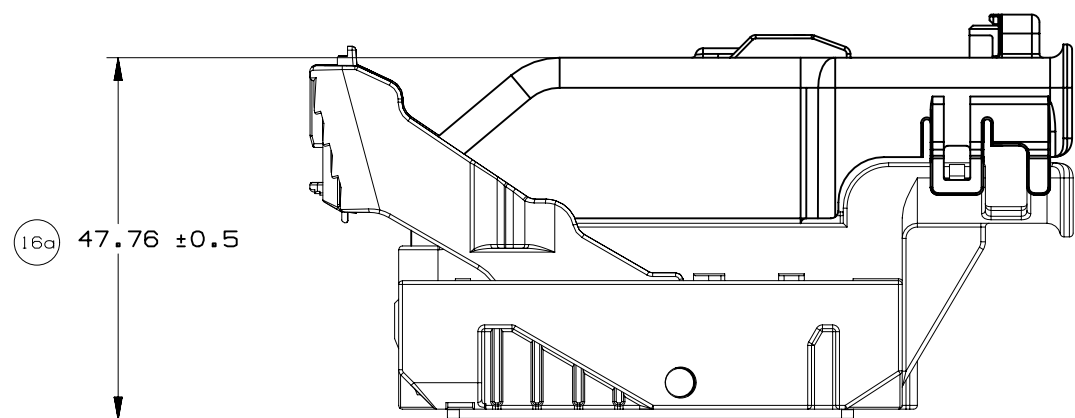
ALL TESTING DONE IN ACCORDANCE WITH USCAR-2 REV5 SECTION 5.3

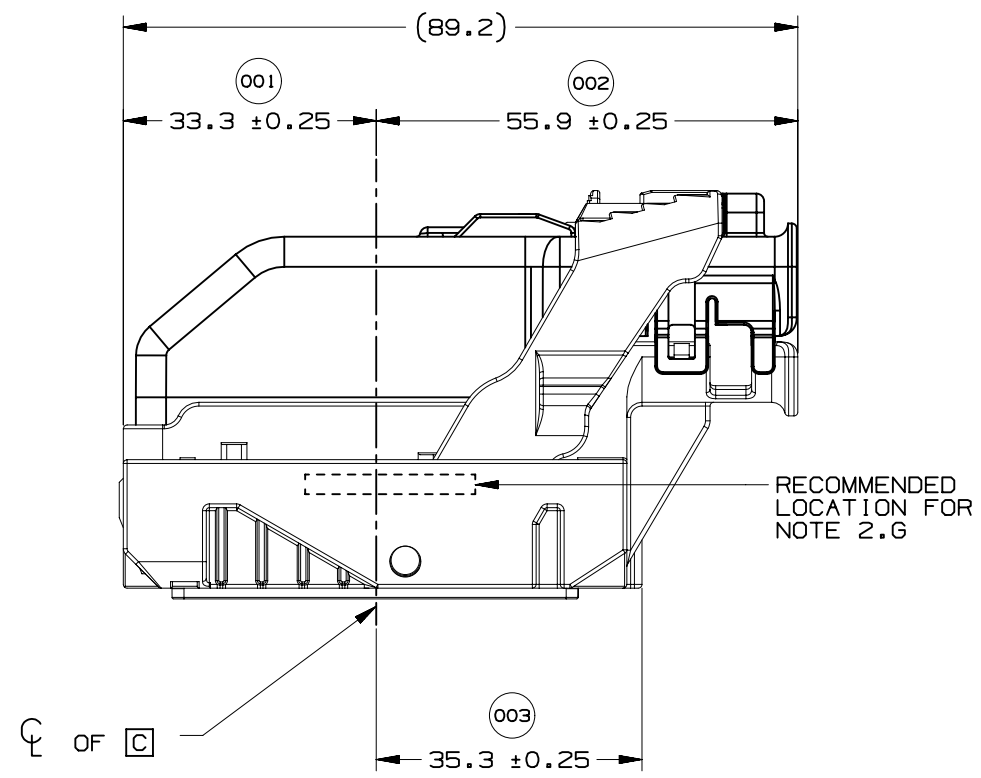
- A. MX64 RCPT TERM
  - 1. MX64 RCPT TERM Ag 18/20 GAGE CRIMPED TO SAE WIRE SIZE NO.18 AND MATED TO MX123 0.64MM PIN: 11.3 AMPS
  - 2. MX64 RCPT TERM Ag 22 GAGE CRIMPED TO SAE WIRE SIZE NO.22 AND MATED TO MX123 0.64MM PIN:8.5 AMPS

WIRE	CURRENT RATING			
	23°C	85°C	105°C	125°C
18AWG	11.3A	11.3A	9.5A	6.6A
20AWG	10.0A	10.0A	8.3A	5.7A
22AWG	8.6A	8.6A	7.1A	5.0A

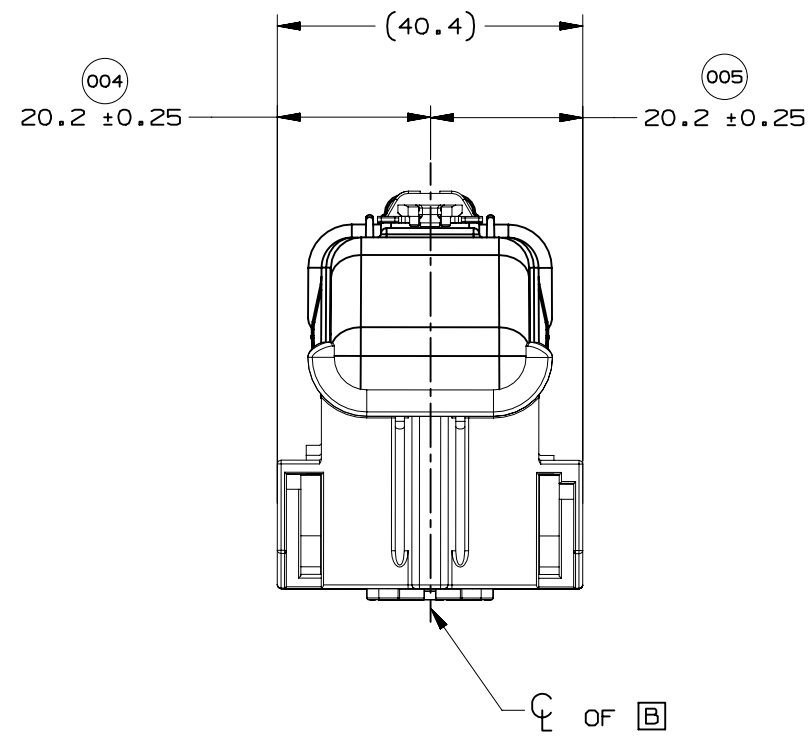
- B. 2.8MM RCPT TERM
  - 1. 2.8MM RCPT TERM TIN 14 GAGE CRIMPED TO SAE WIRE SIZE NO.14 AND MATED TO MX123 2.8MM BLADE: 25.6 AMPS

6. CONTACT MOLEX AUTOMOTIVE FOR AVAILABLE CUSTOM PATTERNS OF CAVITIES OPEN FOR CIRCUITS

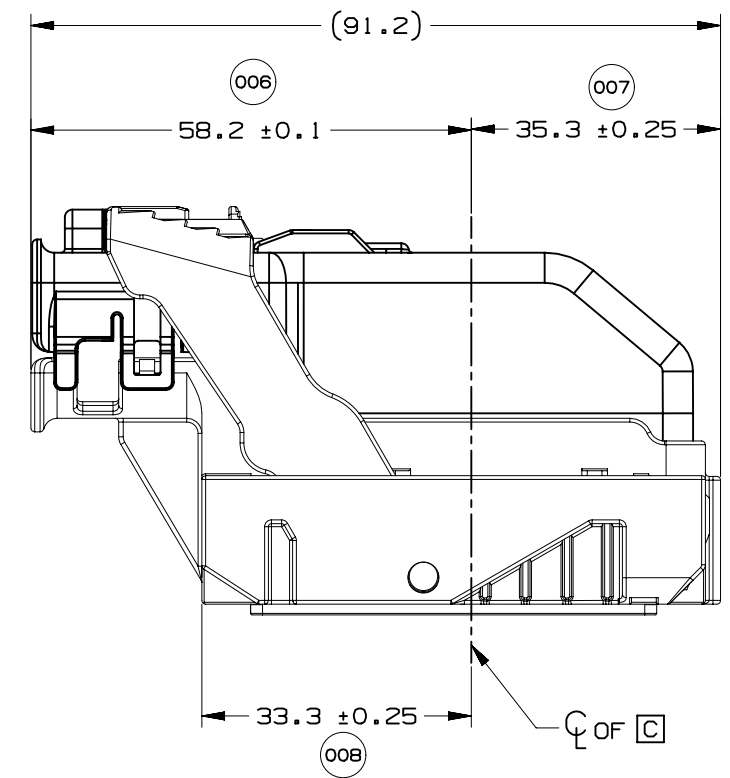




WIRE DRESS OPTION 0 SHOWN

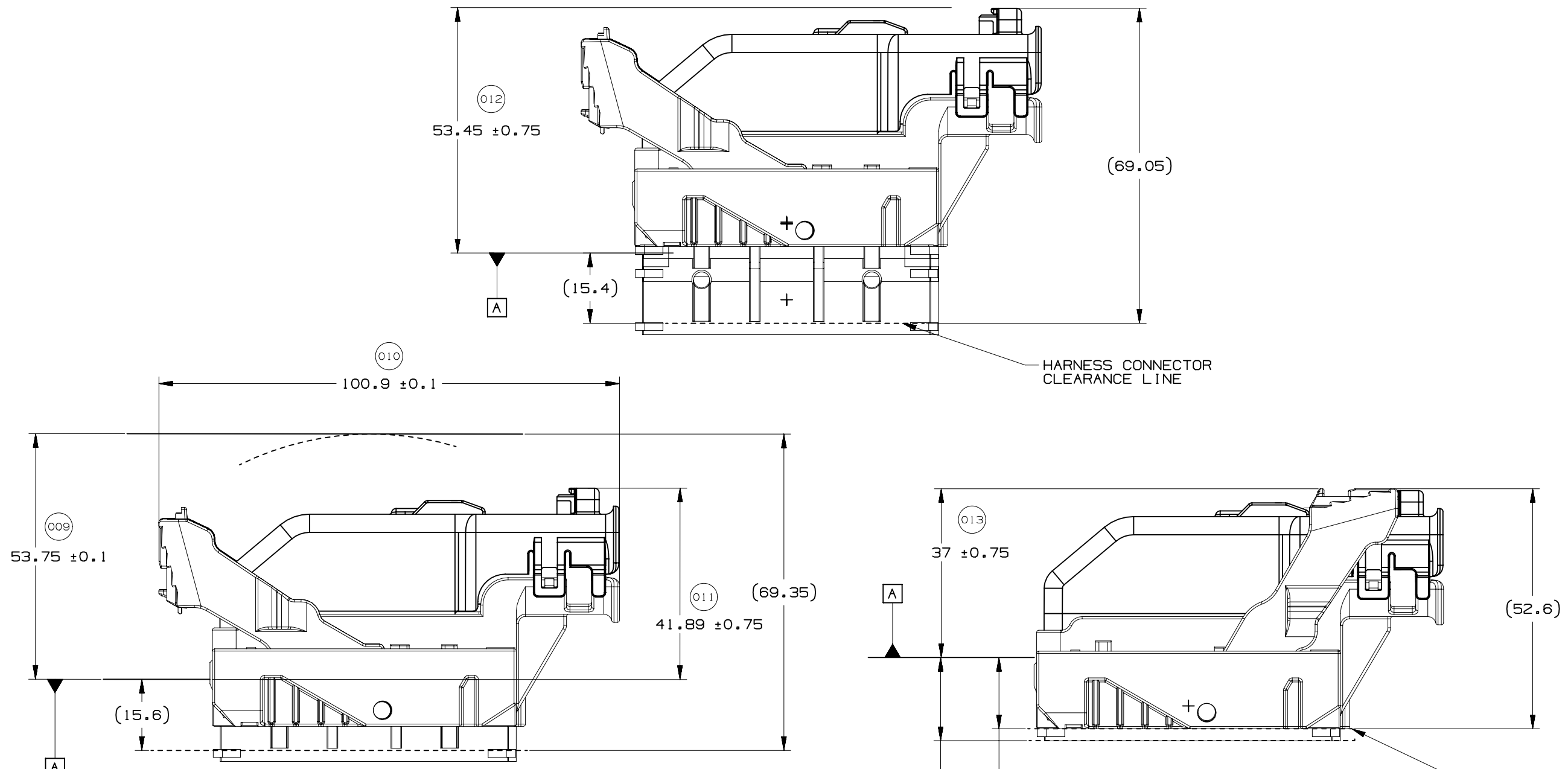


WIRE DRESS OPTION 0 SHOWN



WIRE DRESS OPTION 9 SHOWN





HARNESS CONNECTOR CLEARANCE LINE

HARNESS CONNECTOR ASSEMBLY IN FULLY-MATED POSITION

HARNESS CONNECTOR CLEARANCE LINE

15.6 MIN. ALL AROUND CLEARANCE REQUIRED FOR HARNESS CONNECTOR (014)

17.9 MIN. AT PAD LOCATION CLEARANCE REQUIRED FOR HARNESS CONNECTOR CONSTRUCTION BELOW THIS PLANE IS NOT CONTROLLED (015)

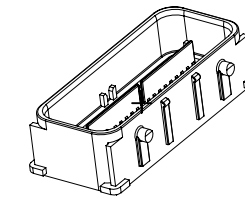
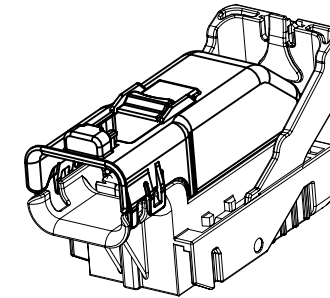
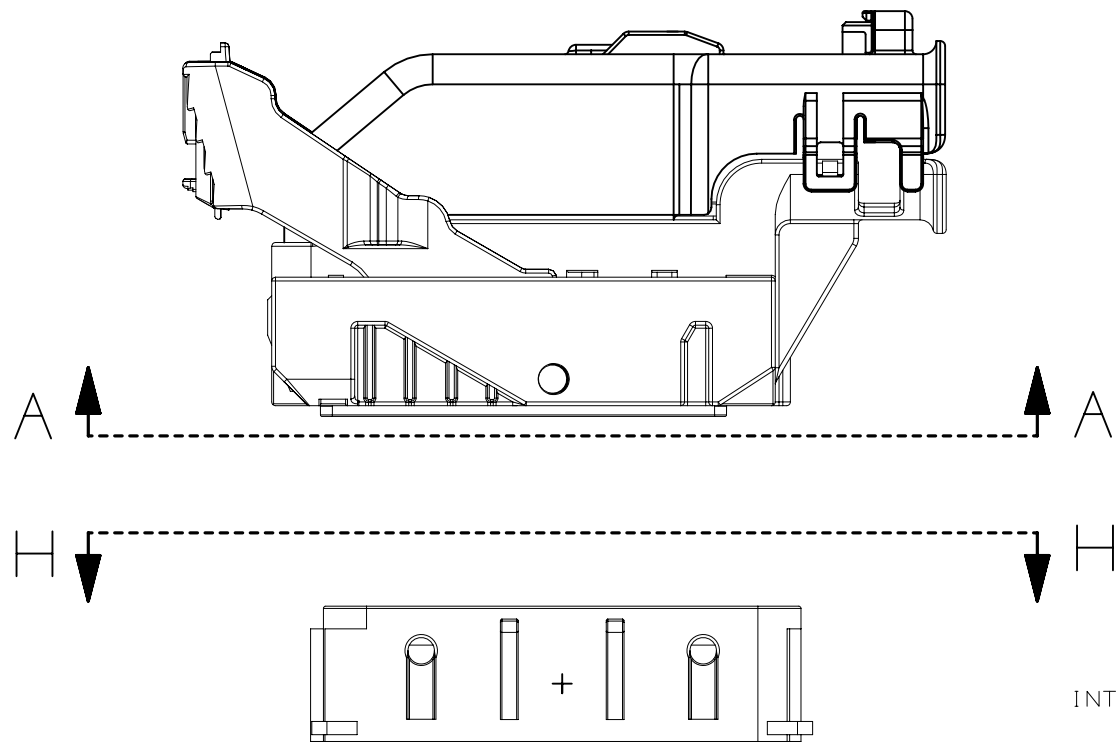


PAGE TITLE  
 LOCATION AND PACKAGING DIMENSIONS  
 REFERENCING INTERFACE DATUM A

DRAWING NUMBER  
 12642695

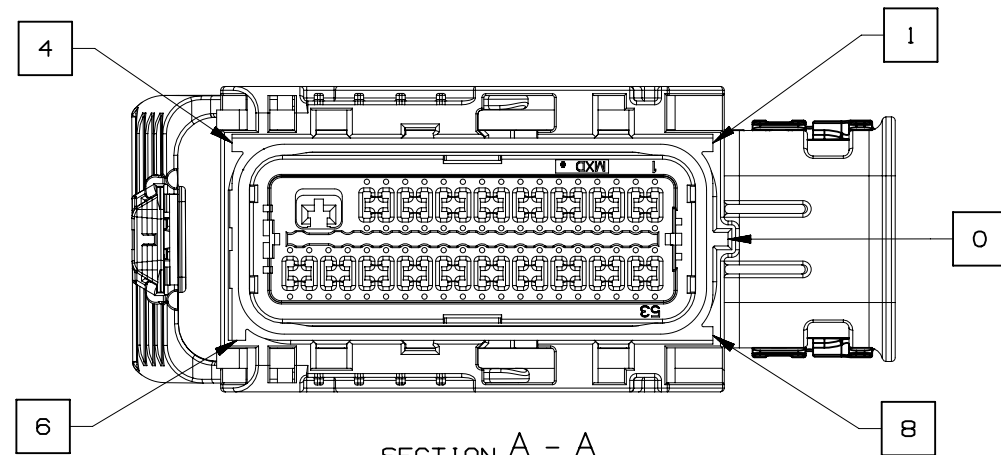
DWG STATUS		
ST	REV	PD1
R	002	

PAGE NUMBER  
 10 OF 21

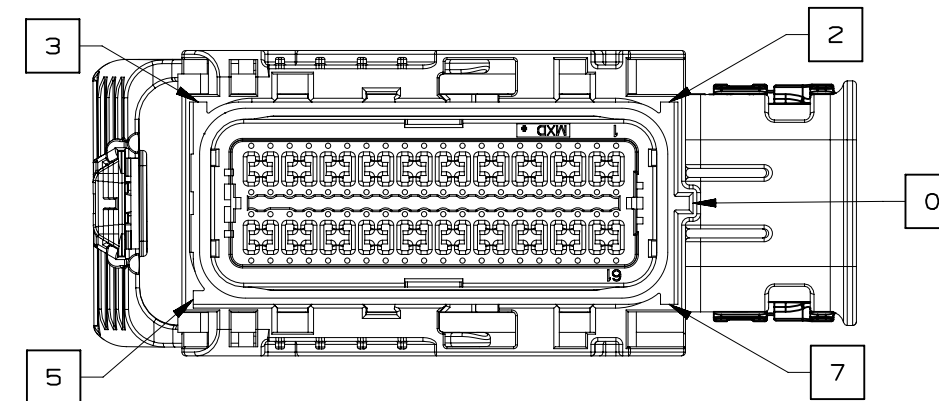


NOTE: REFERENCE THE COMPONENT TABLE FOR KEY OPTIONS AND CONFIGURATIONS

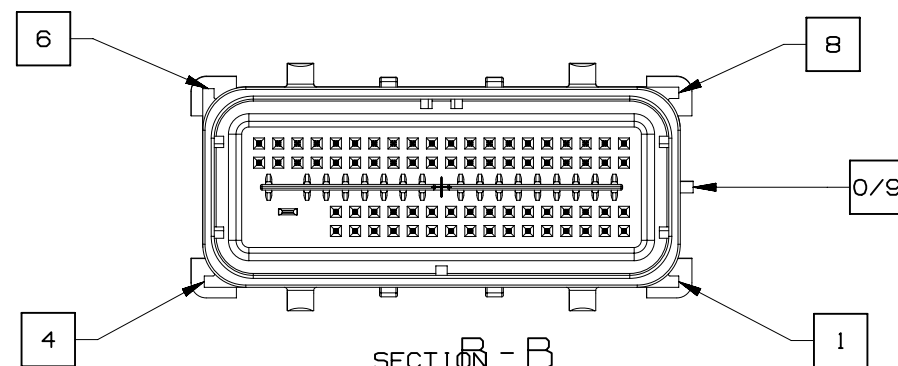
INTERFACE SIDE SHOWN ON ALL SECTION VIEWS



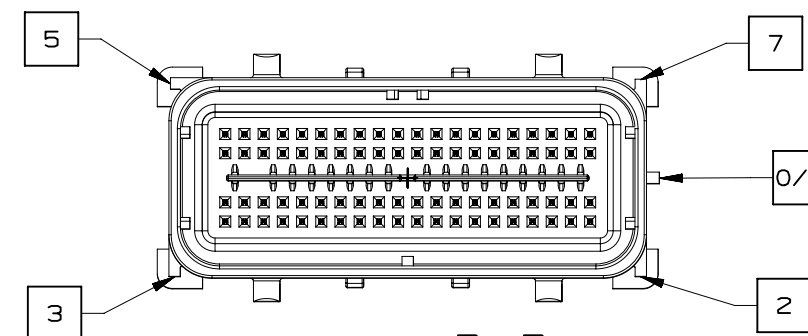
SECTION A - A  
KEY OPTION B SHOWN



SECTION A - A  
KEY OPTION K SHOWN



SECTION B - B  
KEY OPTION B SHOWN



SECTION B - B  
KEY OPTION K SHOWN



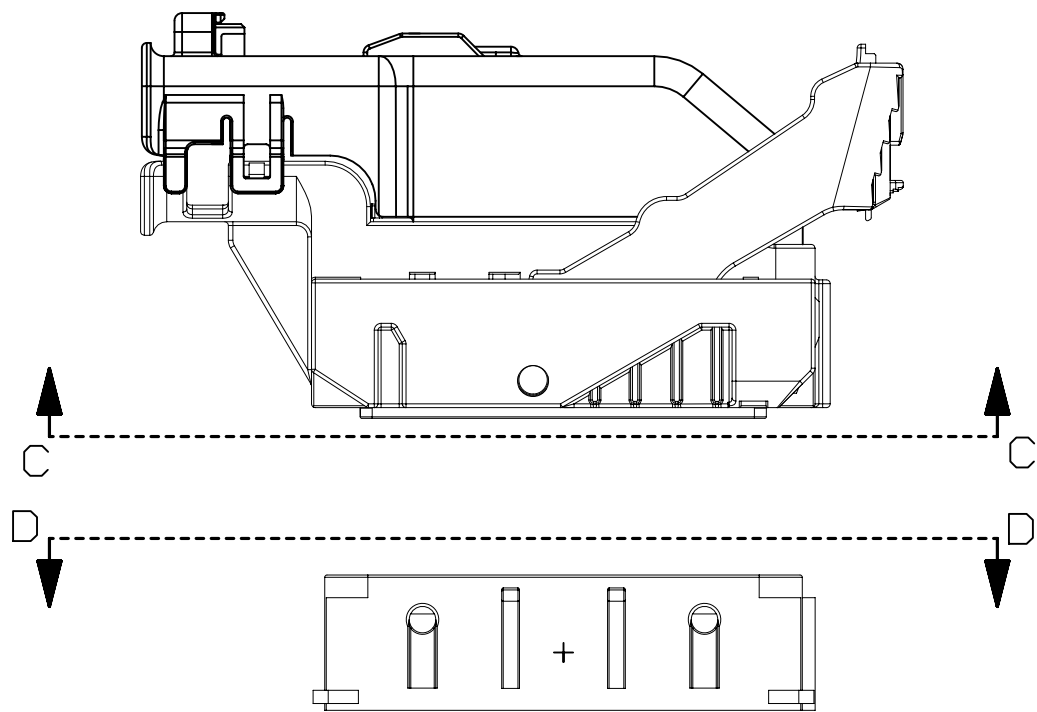
PAGE TITLE  
KEY ID REF - WIRE DRESS OPTION 0

DRAWING NUMBER  
12642695

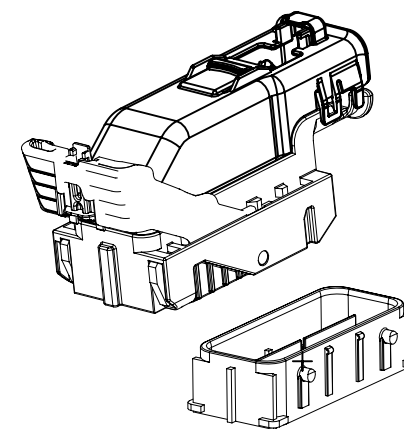
DWG STATUS		
ST	REV	PD1
R	002	

PAGE NUMBER  
11 OF 21



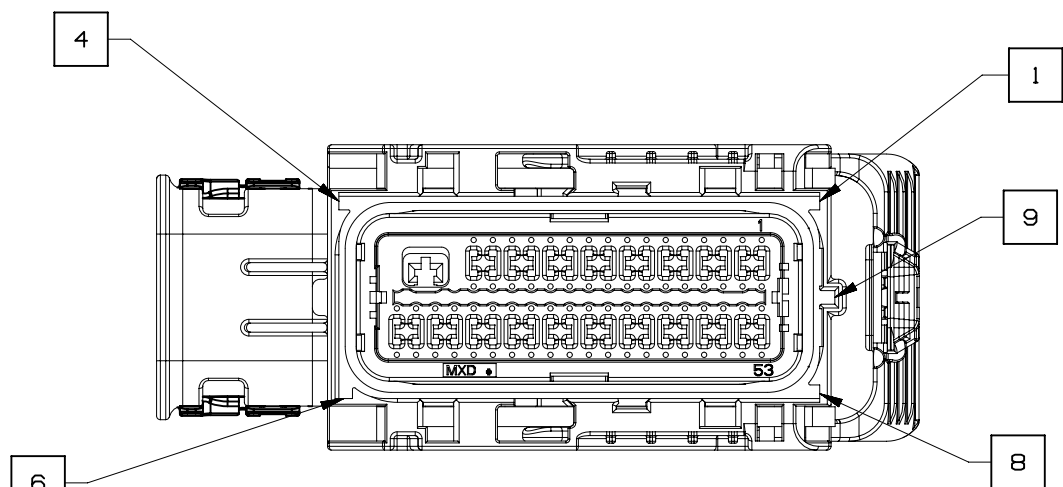


INTERFACE SIDE SHOWN ON ALL SECTION VIEWS

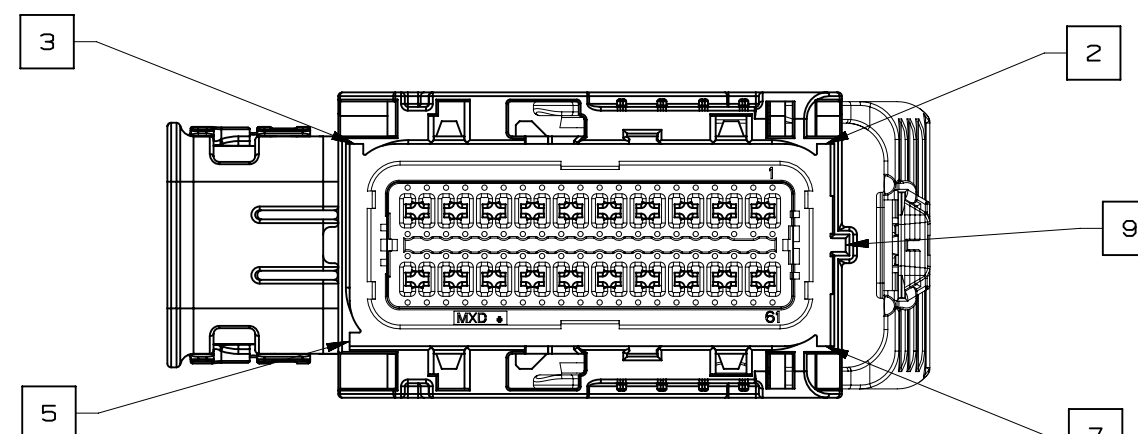


NOTE: REFERENCE THE COMPONENT TABLE FOR KEY OPTIONS AND CONFIGURATIONS

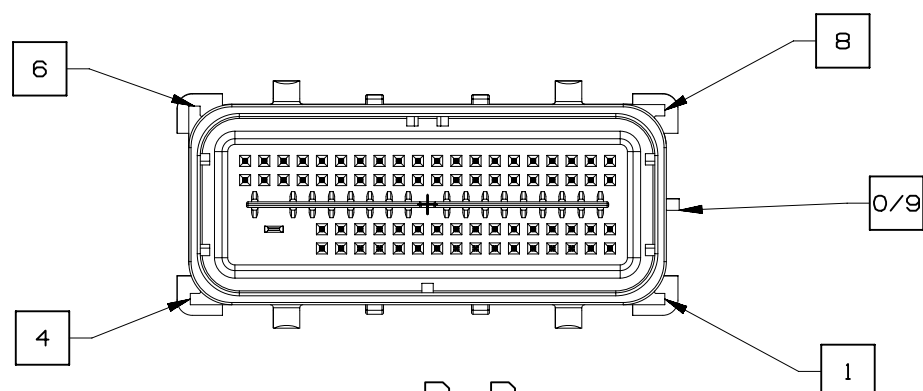
VIEW V



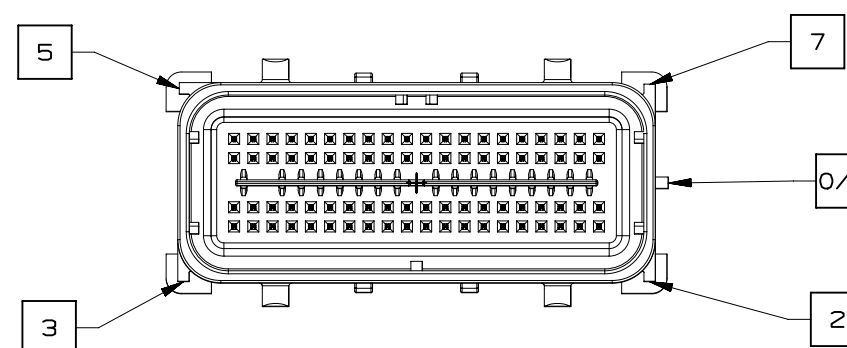
SECTION C-C  
KEY OPTION B SHOWN



SECTION C-C  
KEY OPTION K SHOWN



SECTION D-D  
KEY OPTION B SHOWN



SECTION D-D  
KEY OPTION K SHOWN

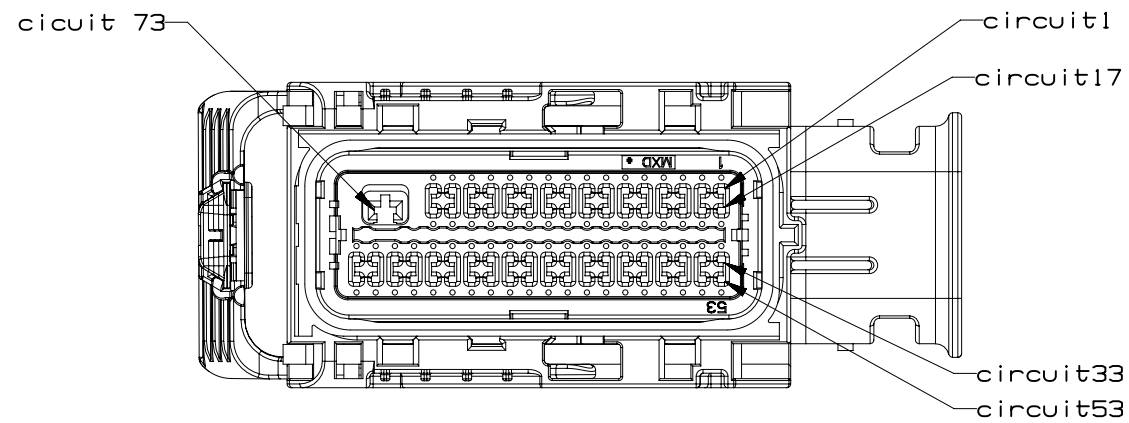


PAGE TITLE  
KEY ID REF - WIRE DRESS OPTION 9

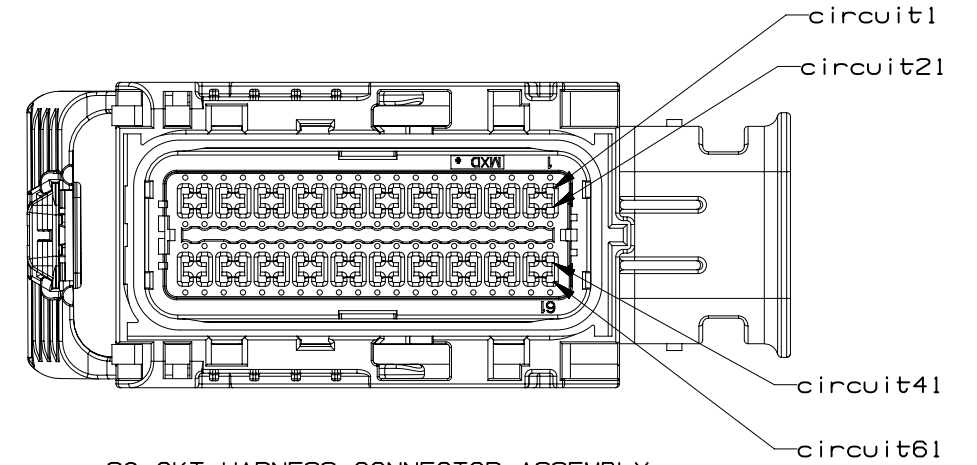
DRAWING NUMBER  
12642695

DWG STATUS		
ST	REV	PD1
R	002	

PAGE NUMBER  
12 OF 21

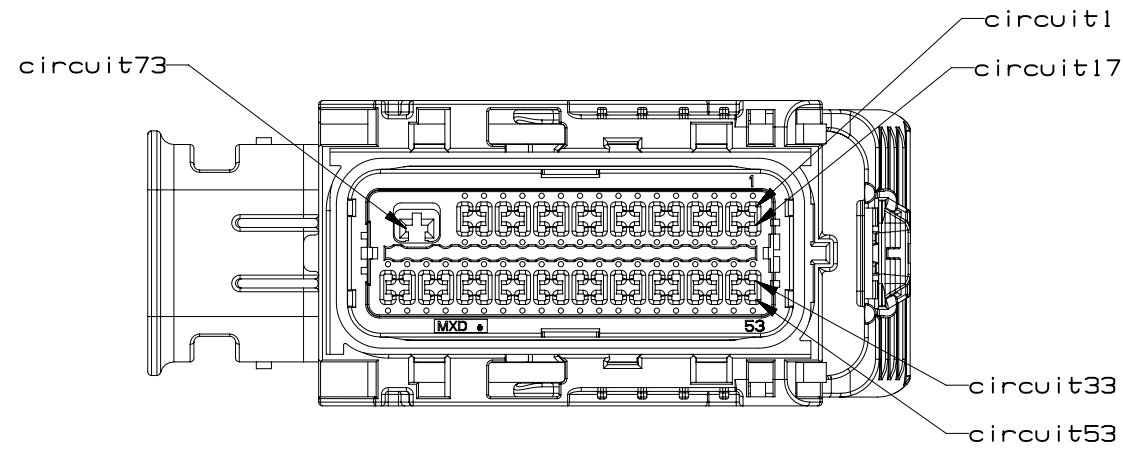


73 CKT HARNESS CONNECTOR ASSEMBLY  
WIRE DRESS OPTION 0

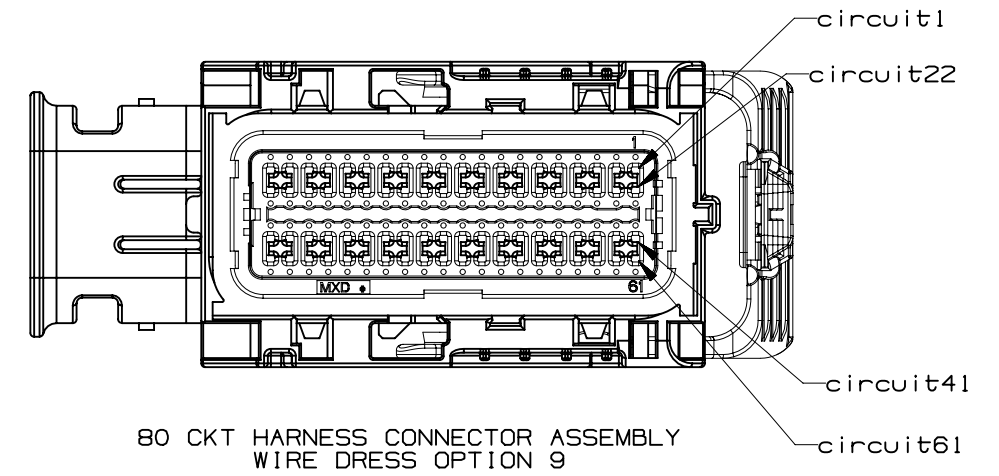


80 CKT HARNESS CONNECTOR ASSEMBLY  
WIRE DRESS OPTION 0

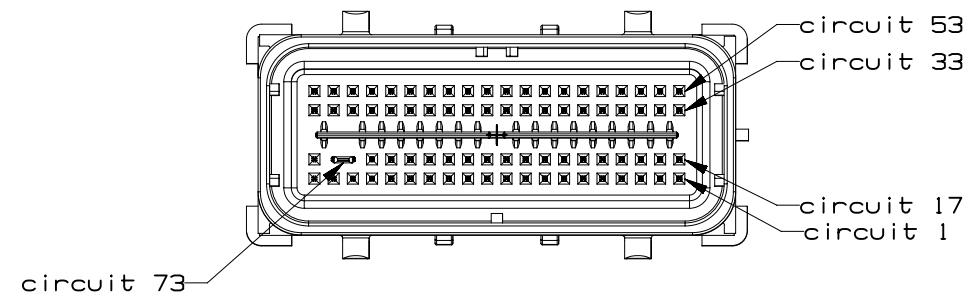
INTERFACE SIDE SHOWN ON ALL VIEWS



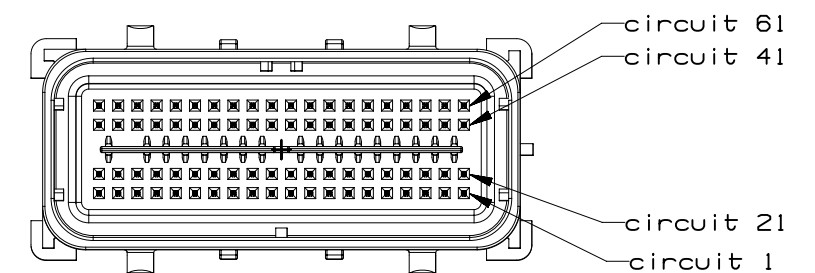
73 CKT HARNESS CONNECTOR ASSEMBLY  
WIRE DRESS OPTION 9



80 CKT HARNESS CONNECTOR ASSEMBLY  
WIRE DRESS OPTION 9

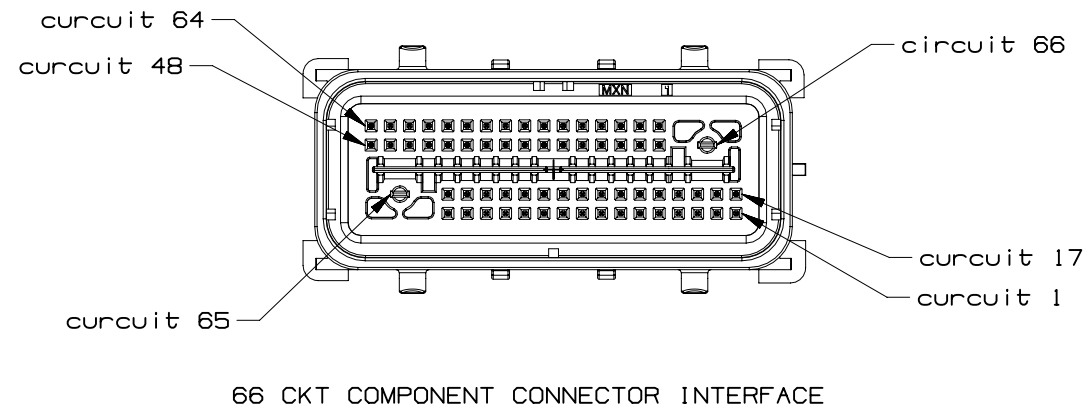
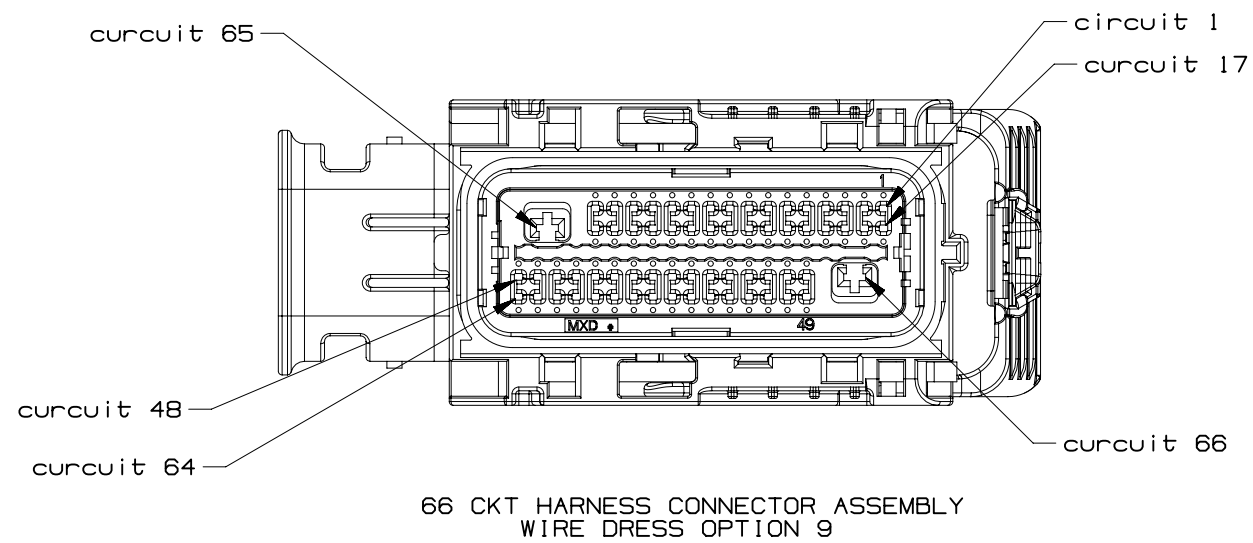
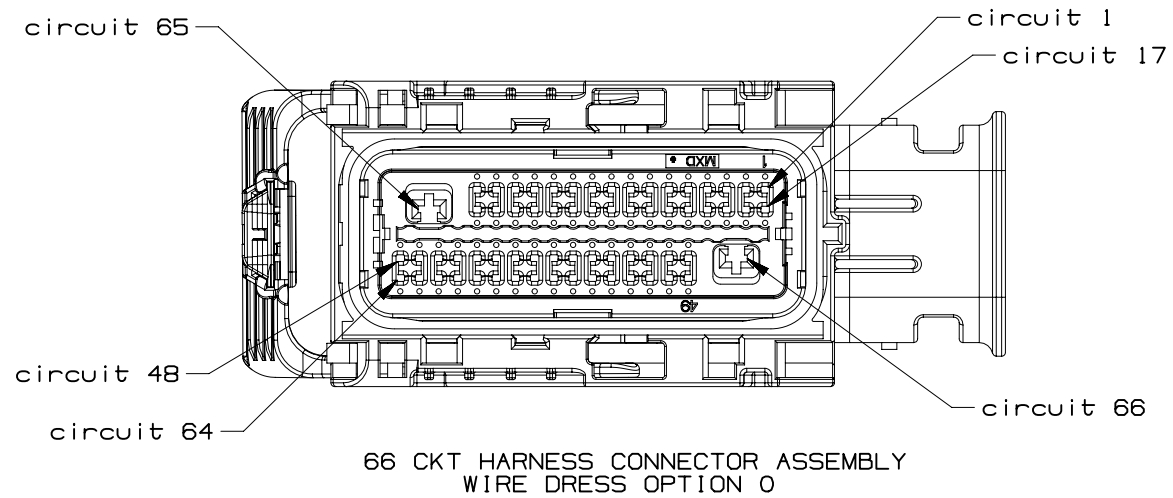


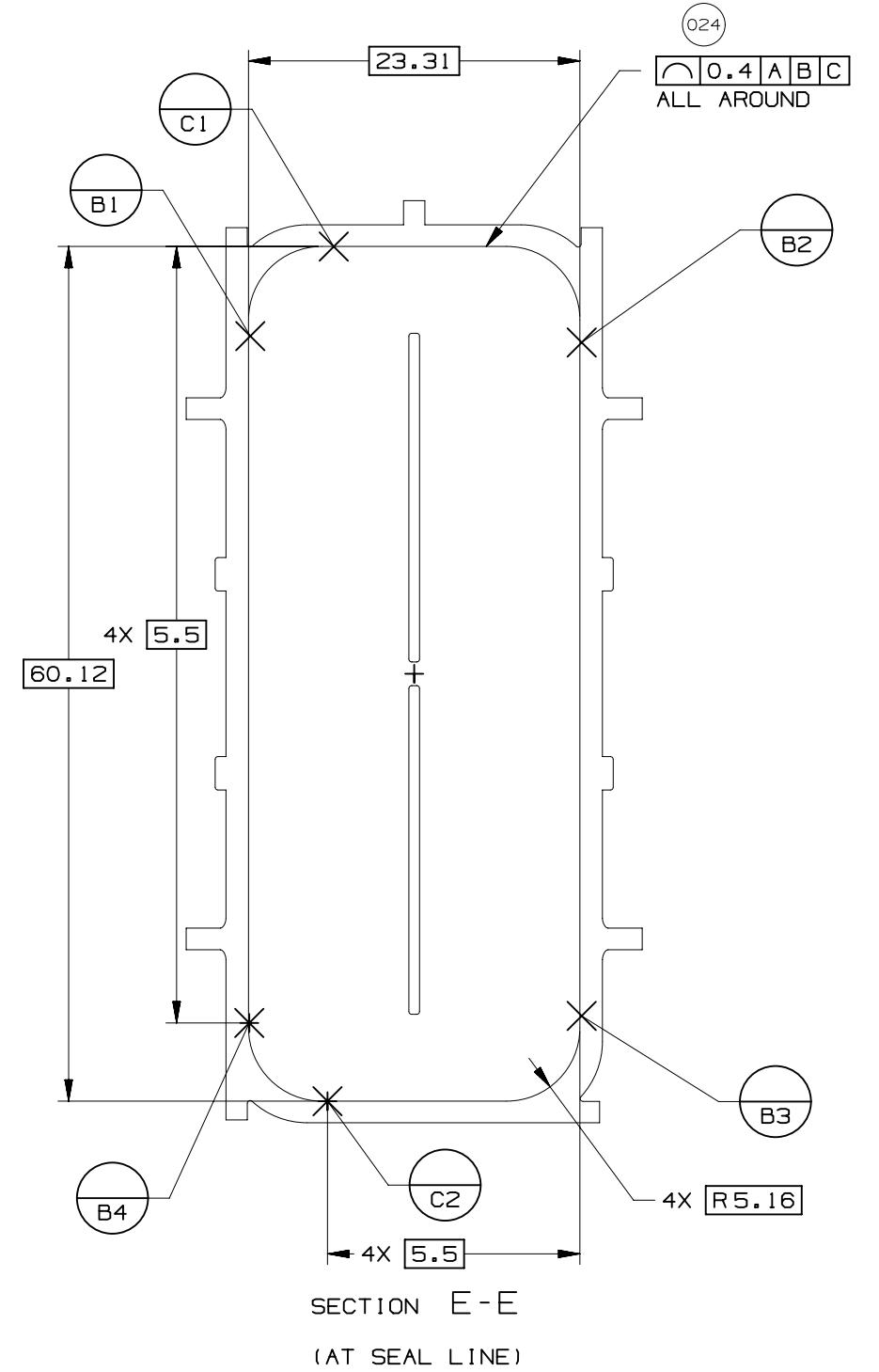
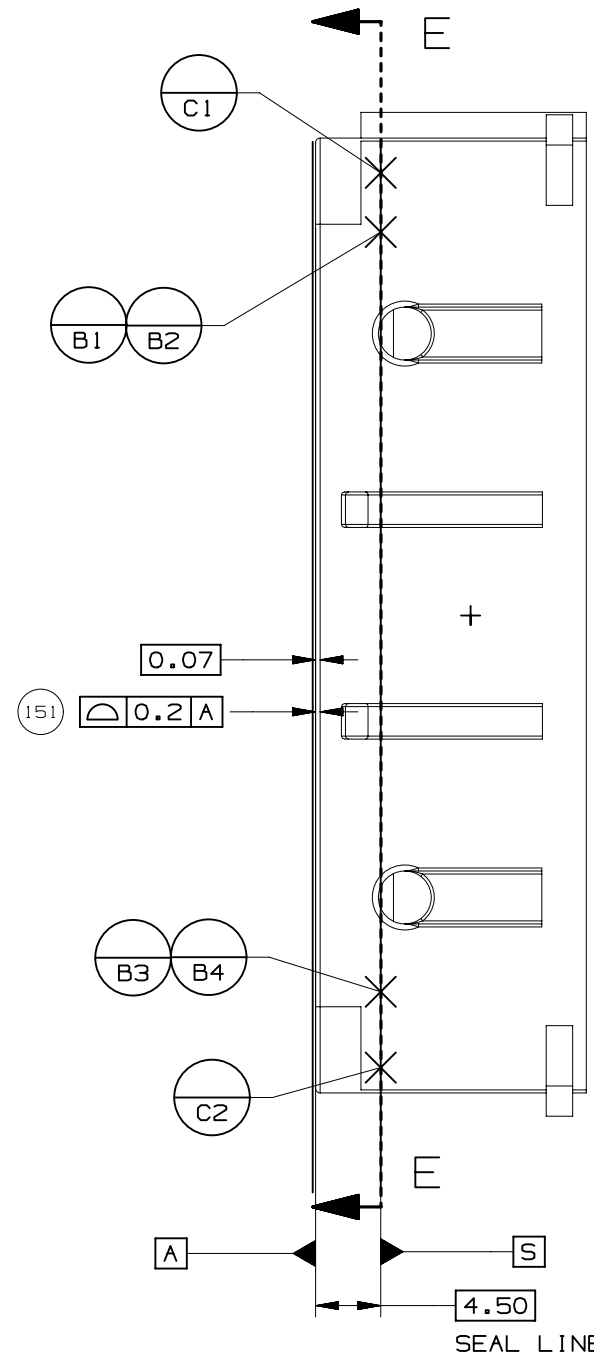
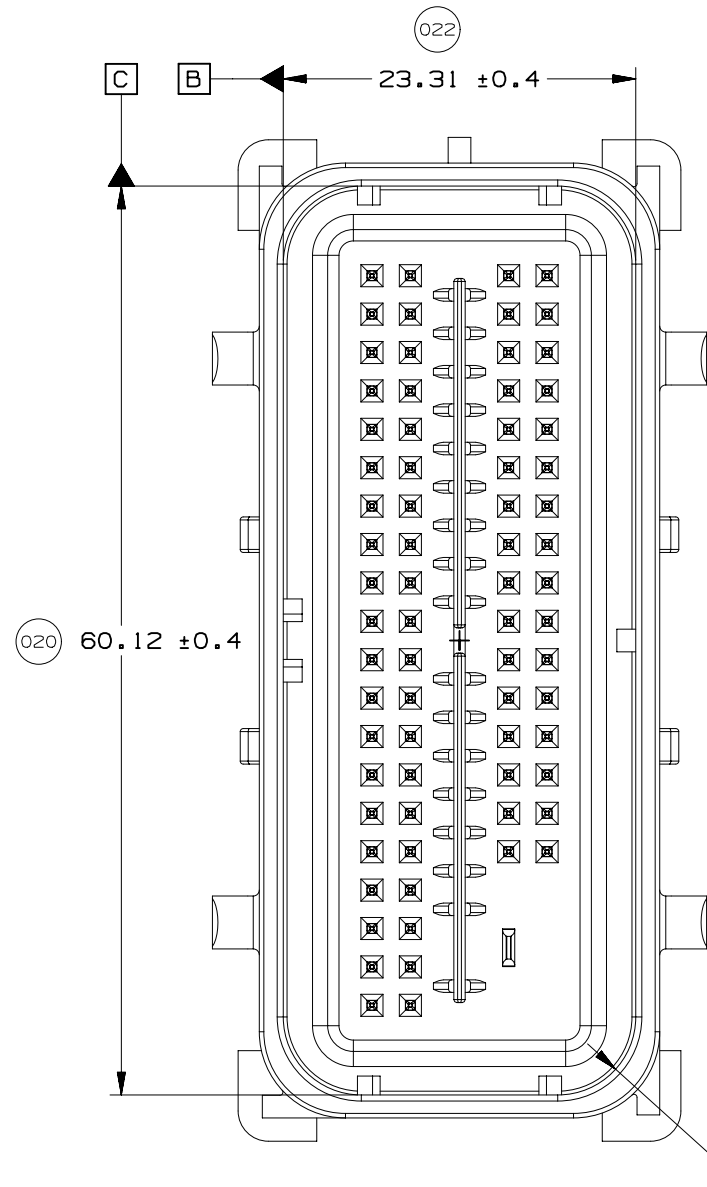
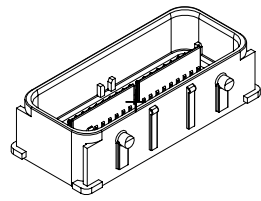
73 CKT COMPONENT CONNECTOR INTERFACE



80 CKT COMPONENT CONNECTOR INTERFACE







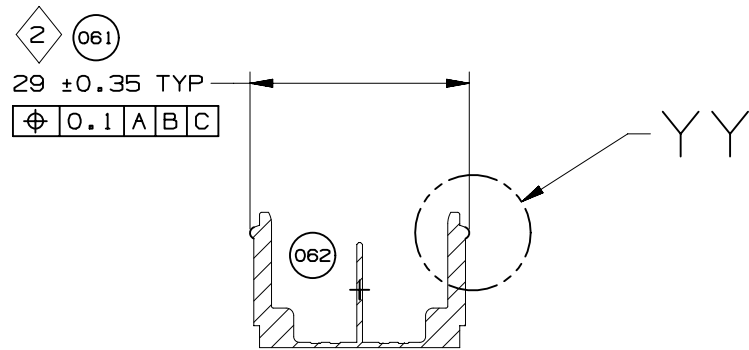
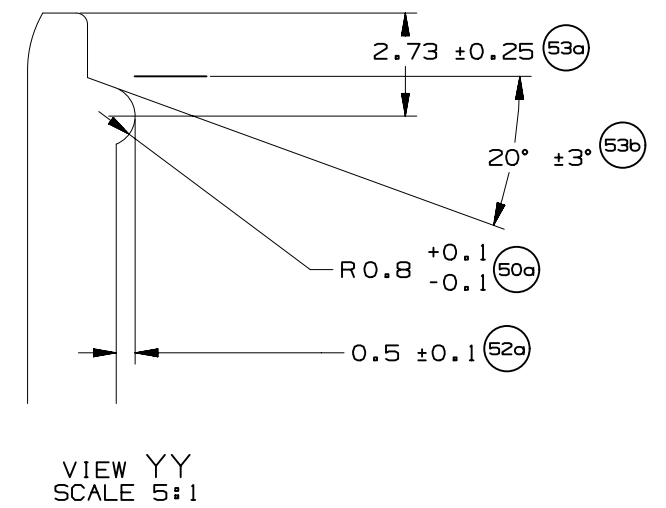
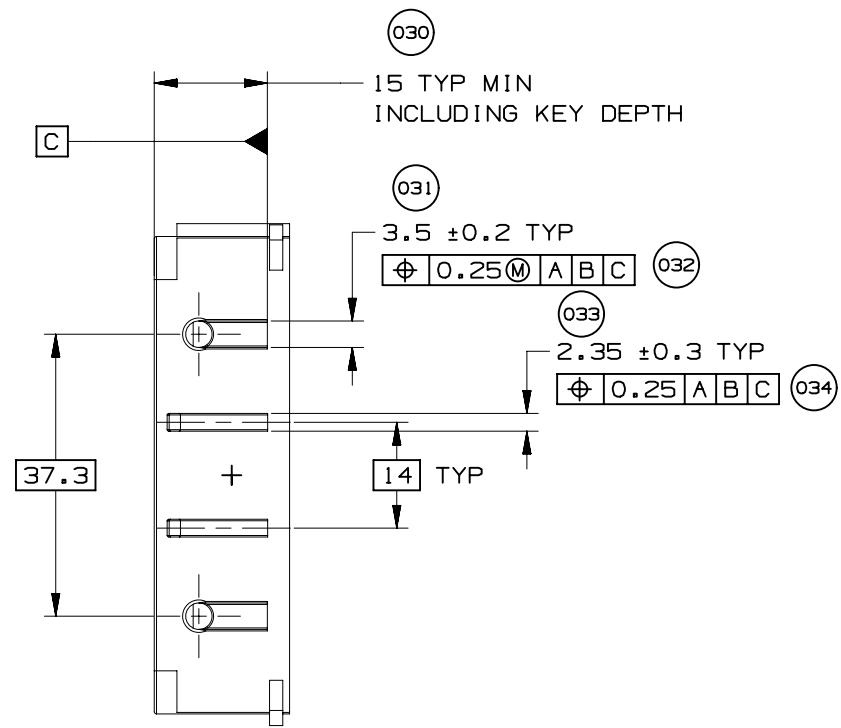
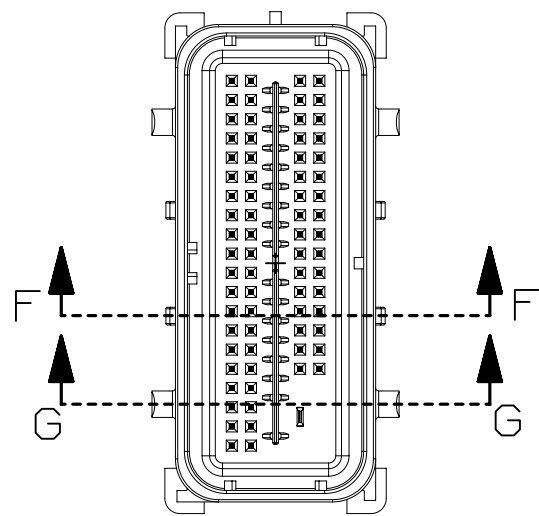
UNLESS SPECIFIED, TOLERANCE OF THE COMPONENT CONNECTOR INTERFACE TO BE  $\nabla 0.13 \text{ A B C}$



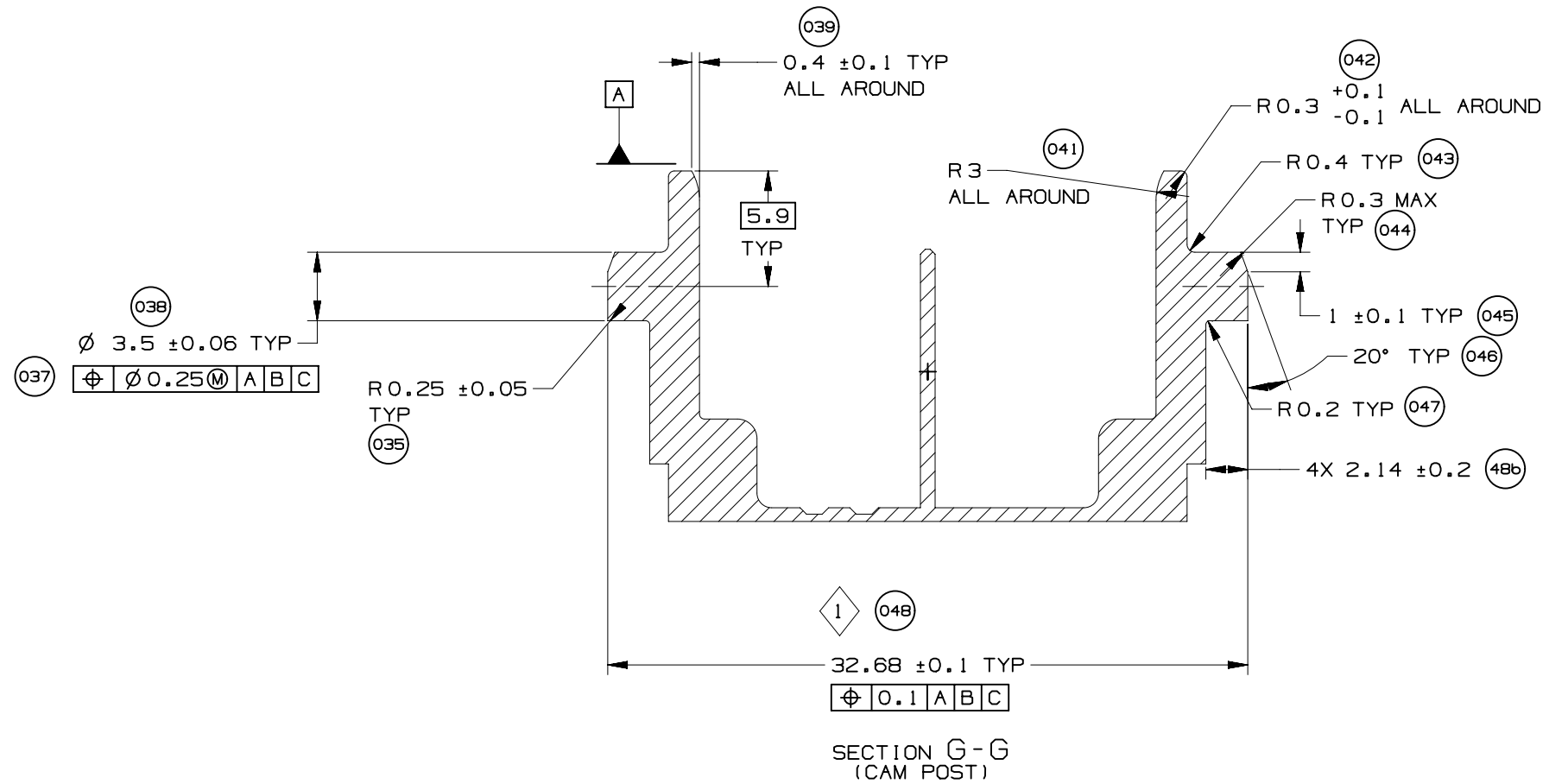
PAGE TITLE  
COMPONENT CONNECTOR INTERFACE

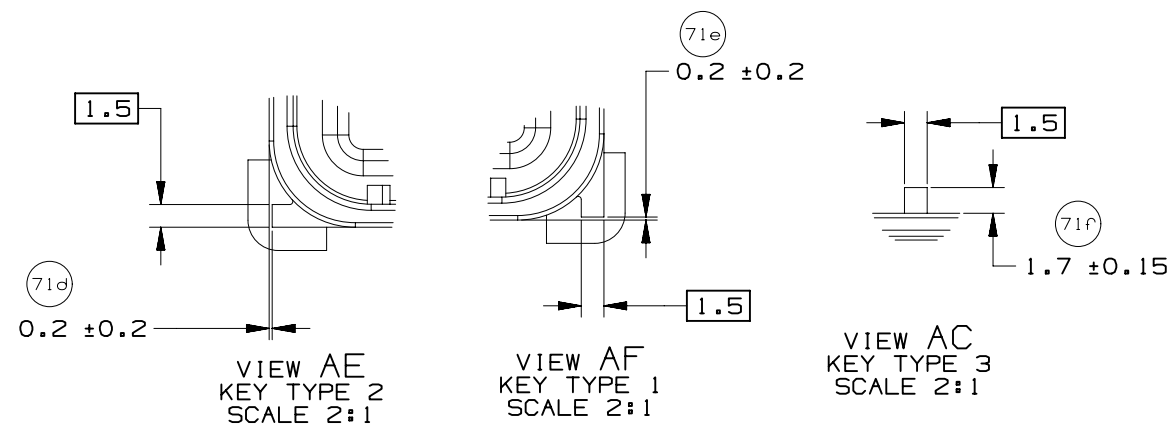
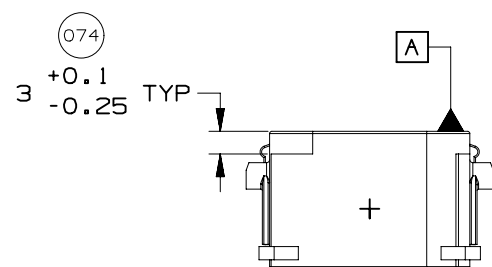
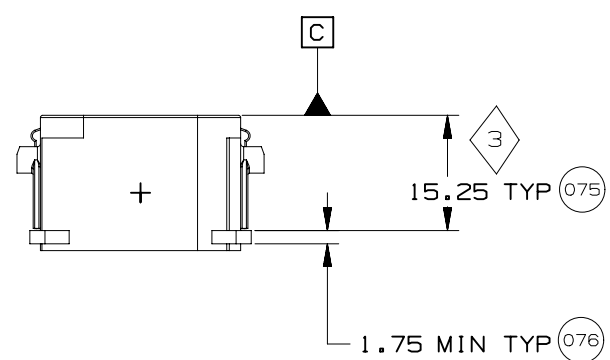
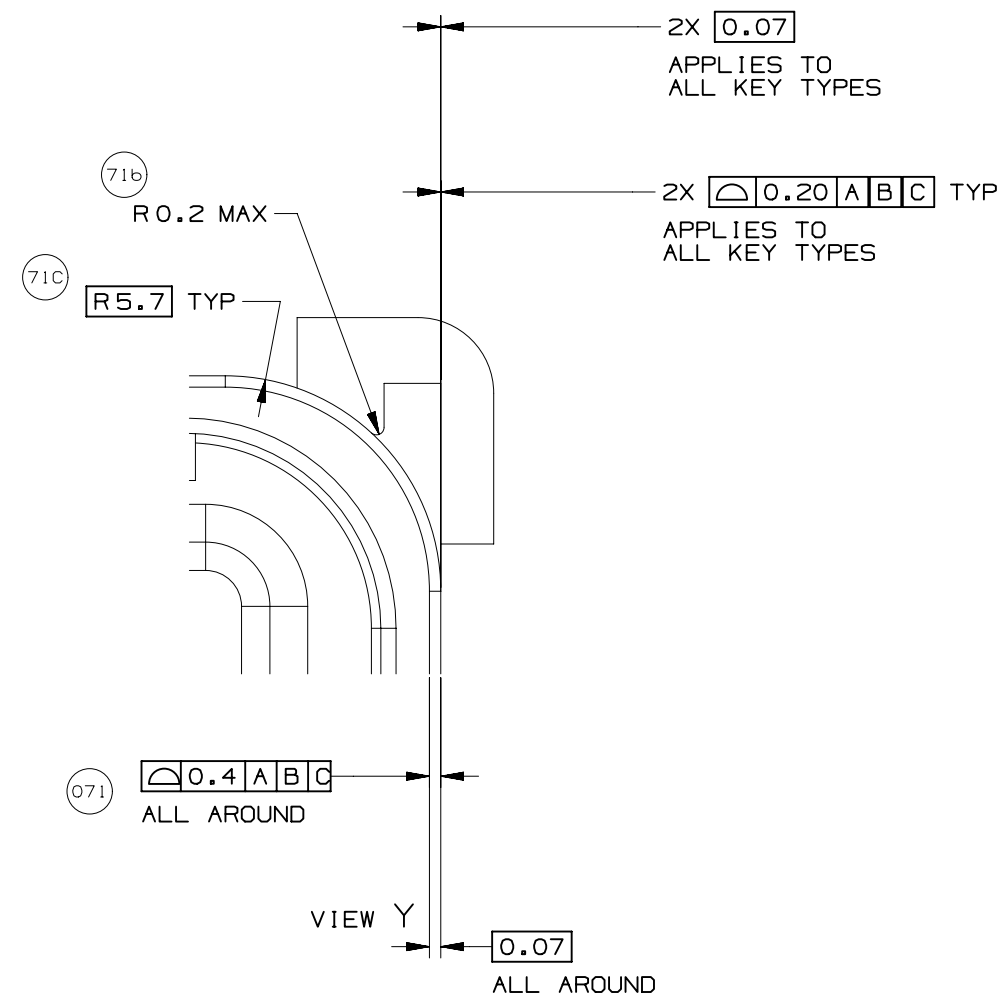
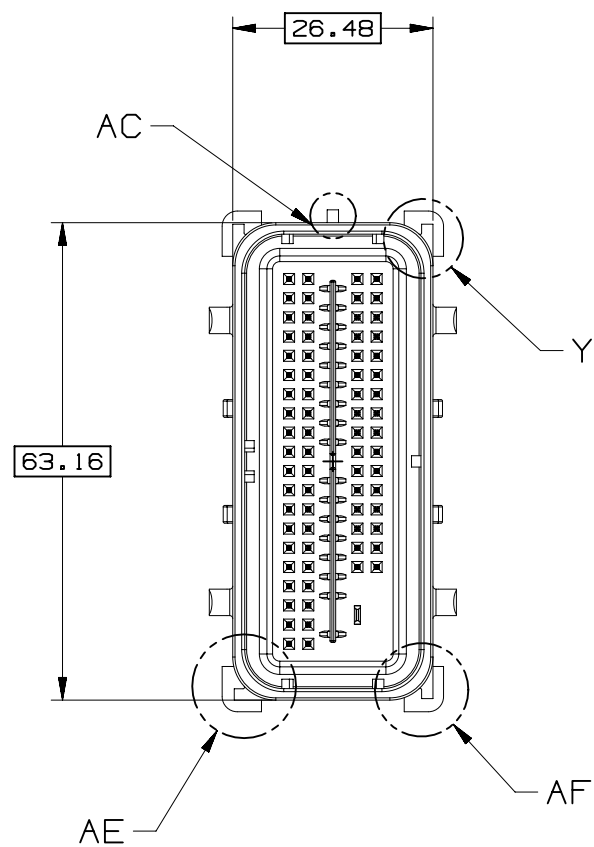
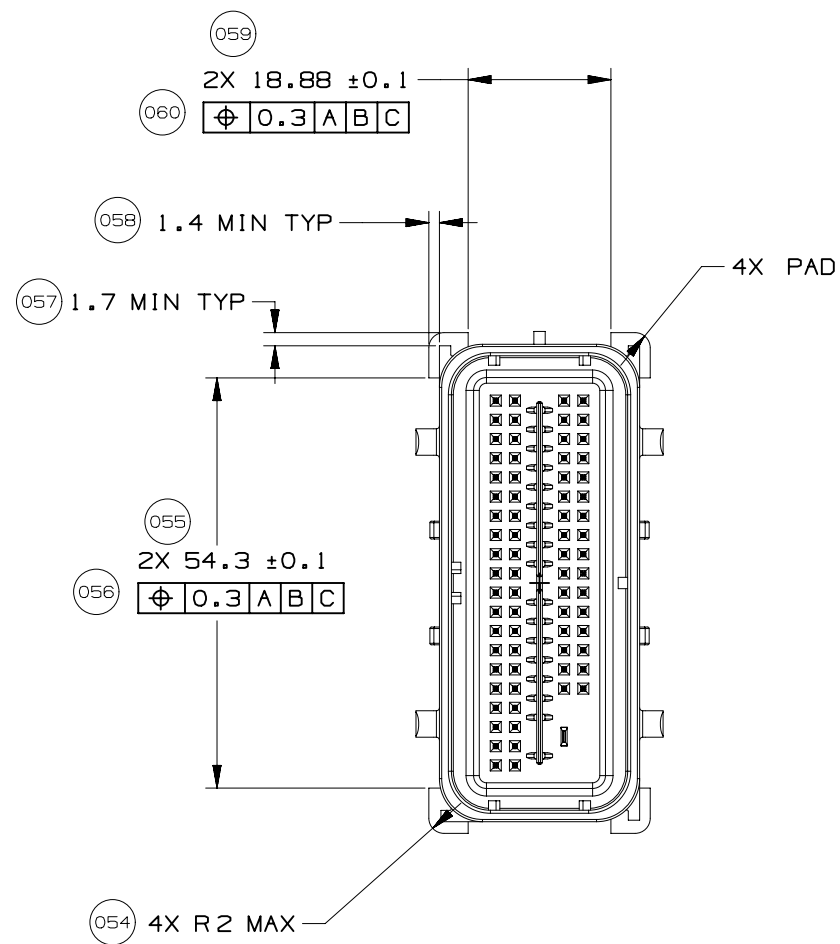
DRAWING NUMBER  
12642695

DWG STATUS			PAGE NUMBER
ST	REV	PD1	
R	002		15 OF 21



SECTION F-F

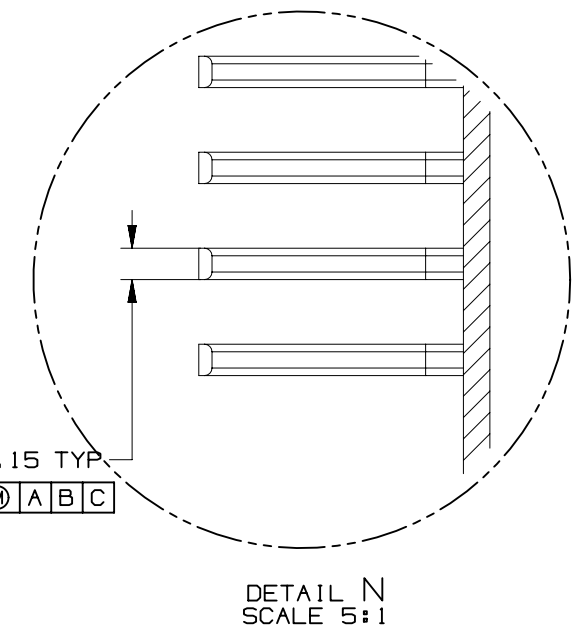
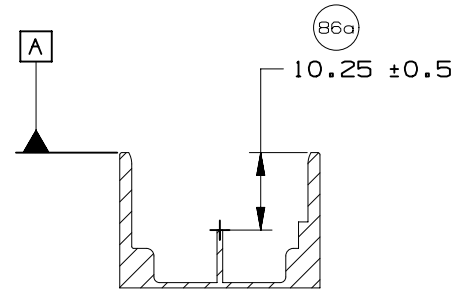
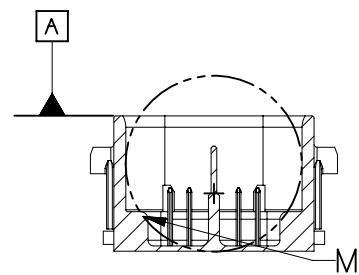
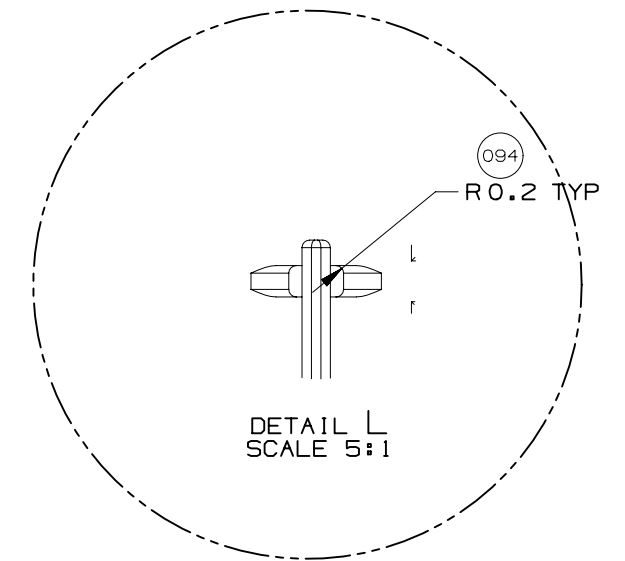
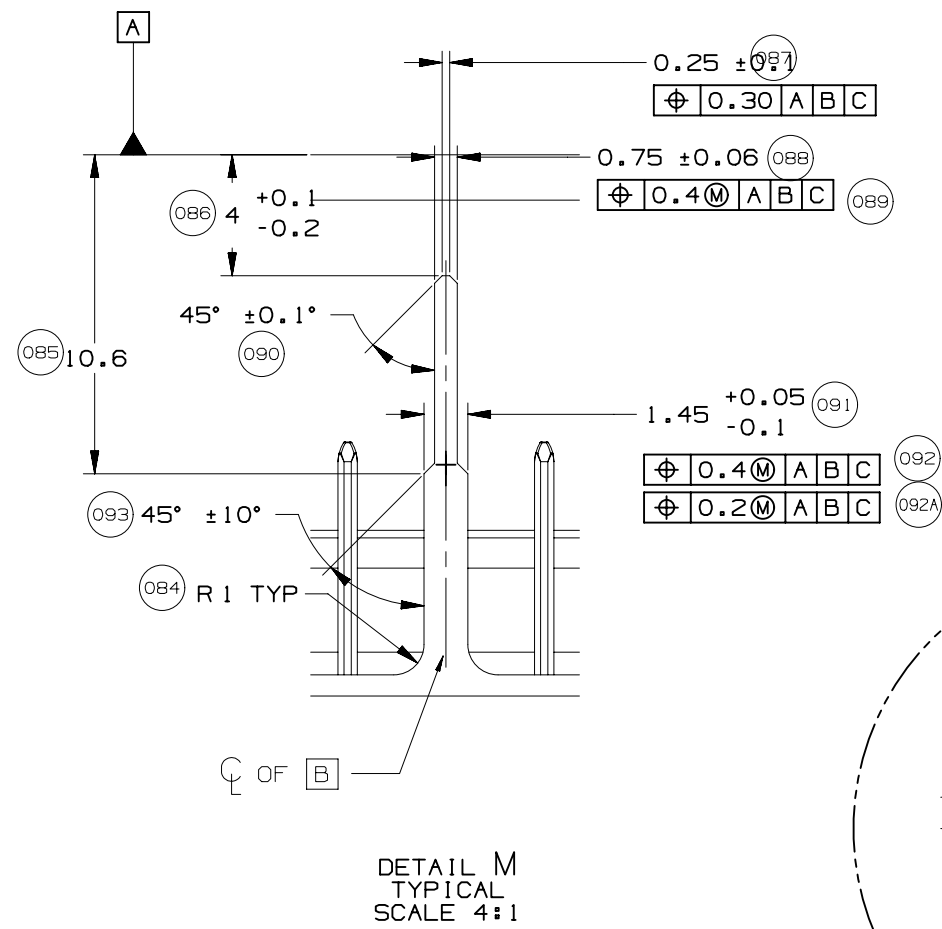
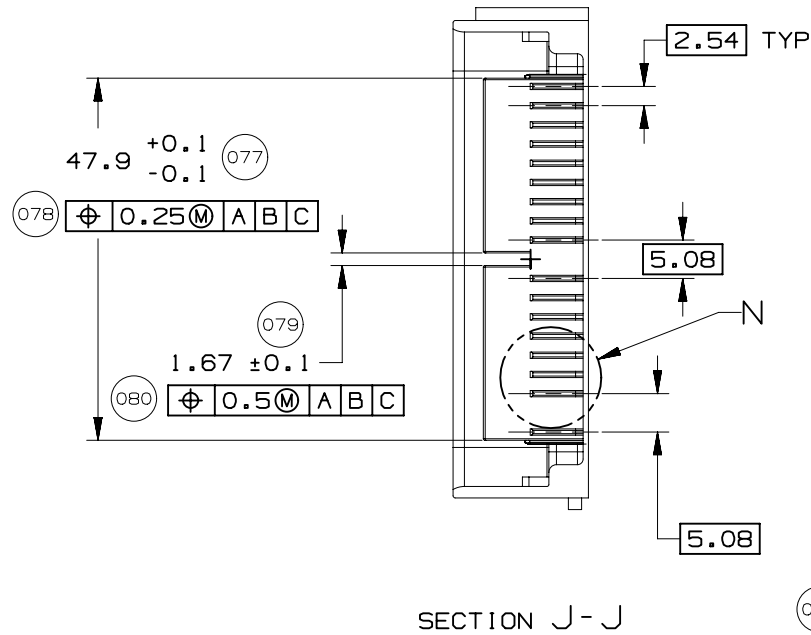
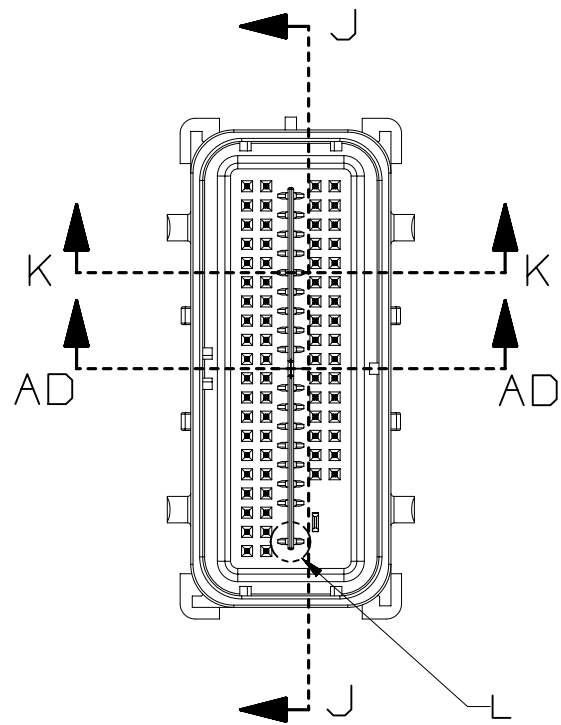


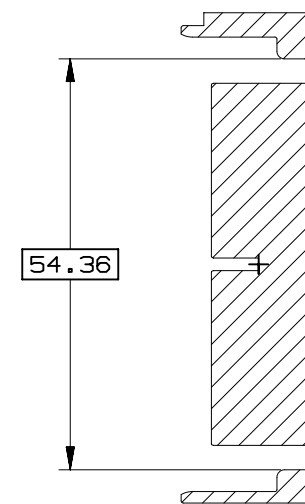
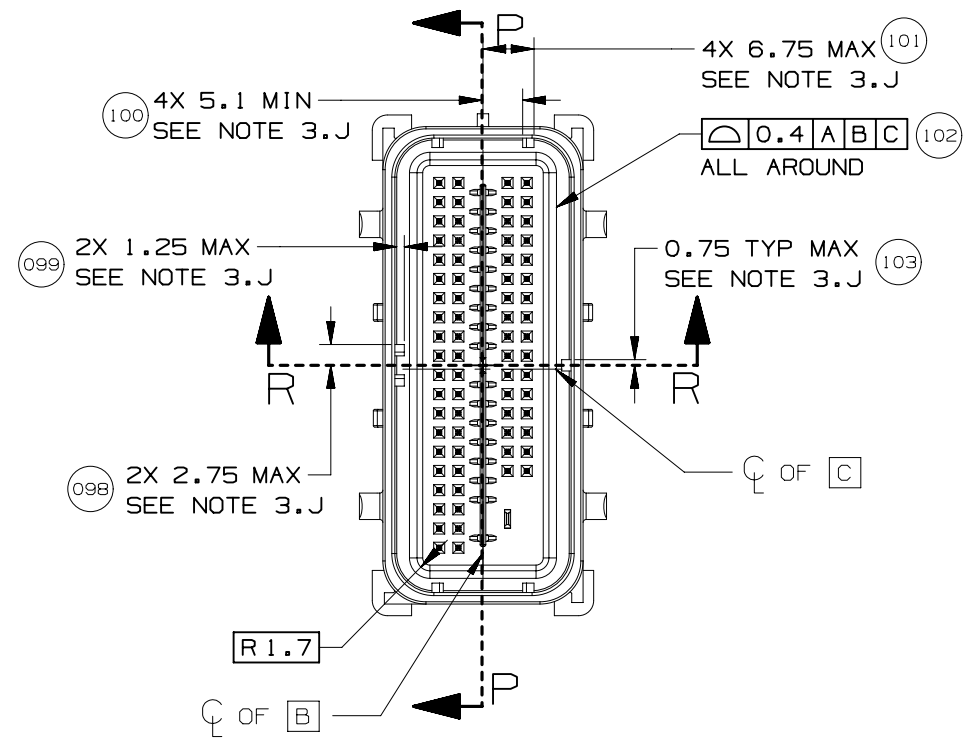


PAGE TITLE  
 COMPONENT CONNECTOR INTERFACE

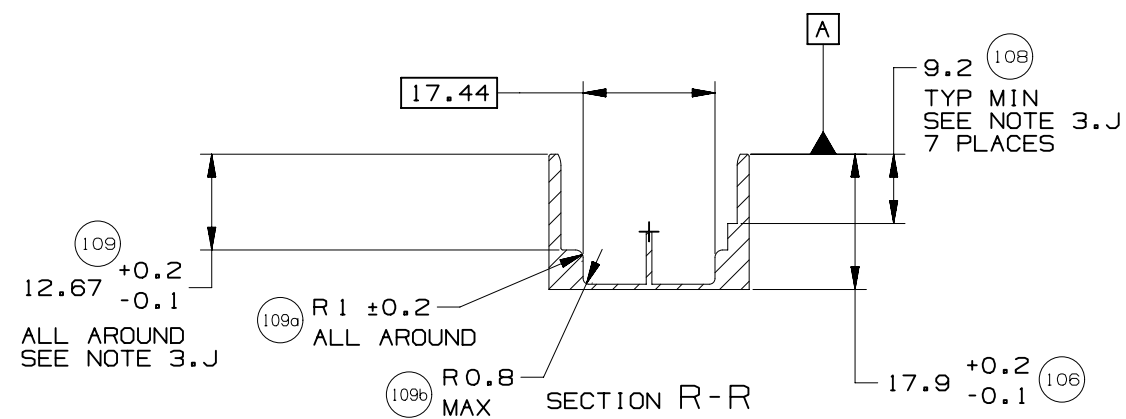
DRAWING NUMBER  
 12642695

DWG STATUS			PAGE NUMBER
ST	REV	PD1	
R	002		17 OF 21

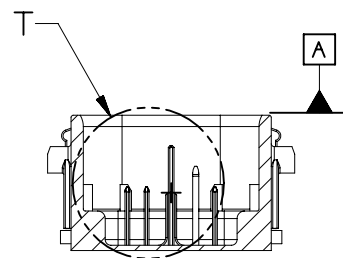
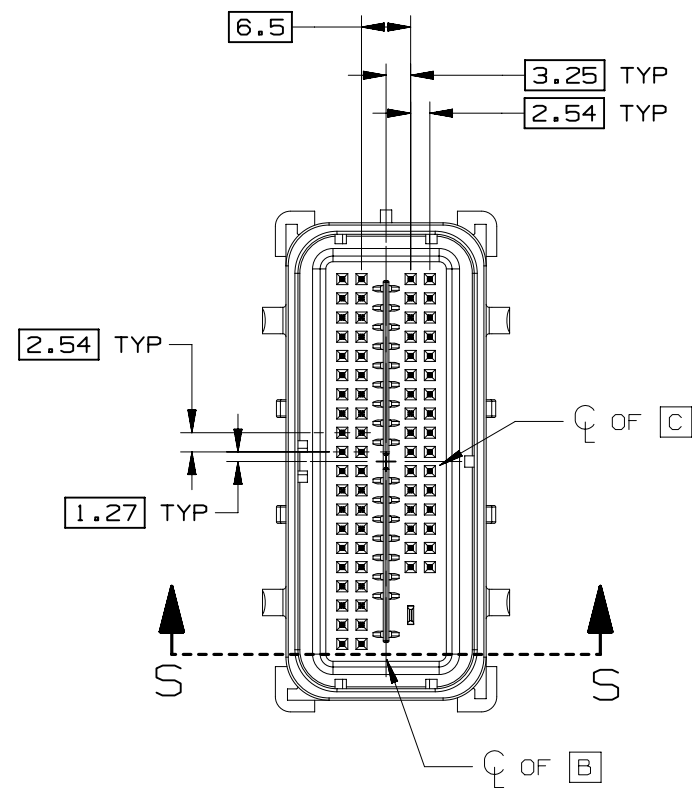




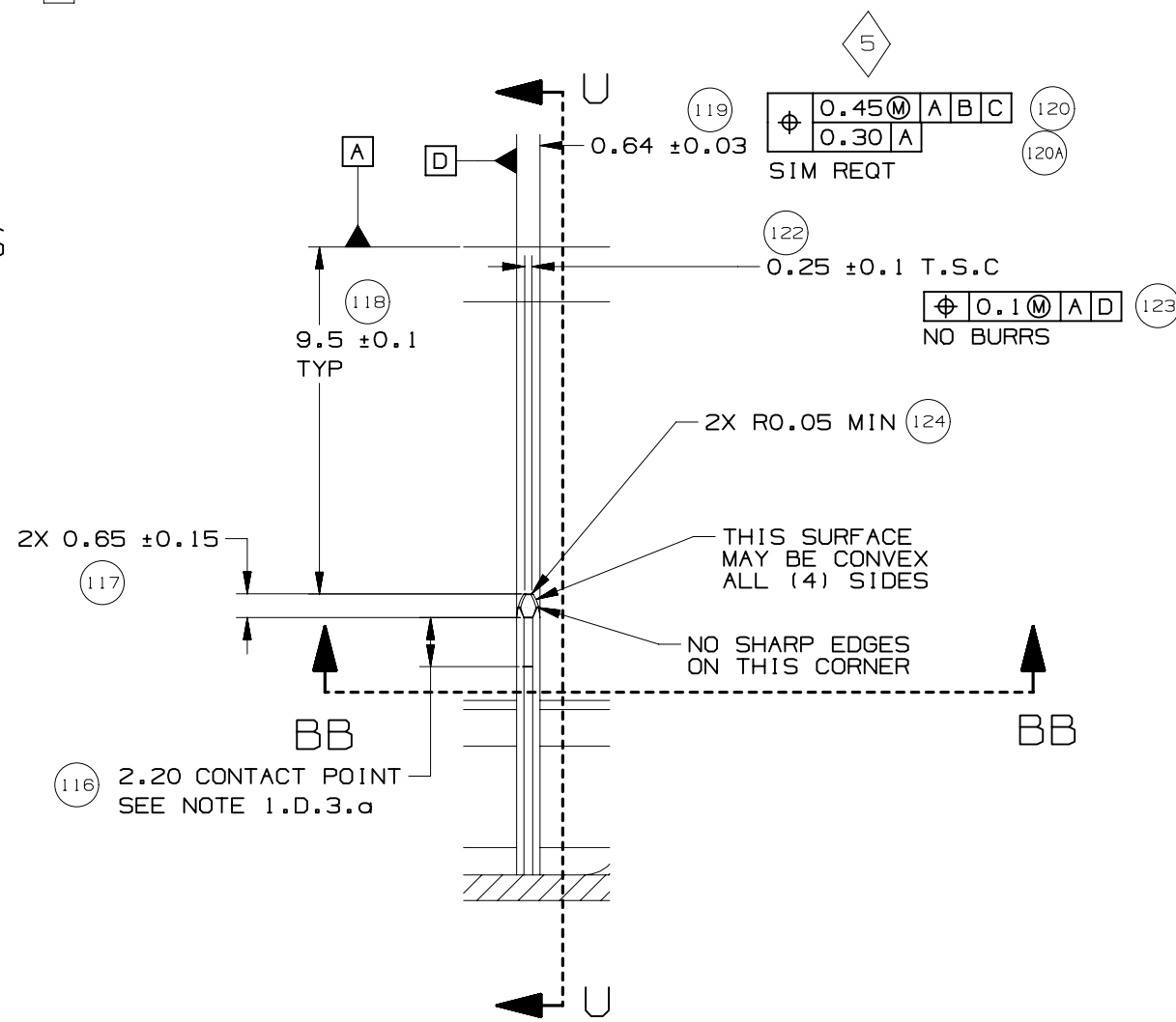
SECTION P-P



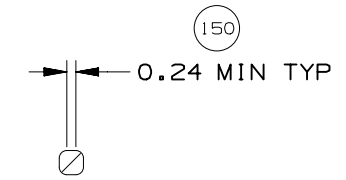




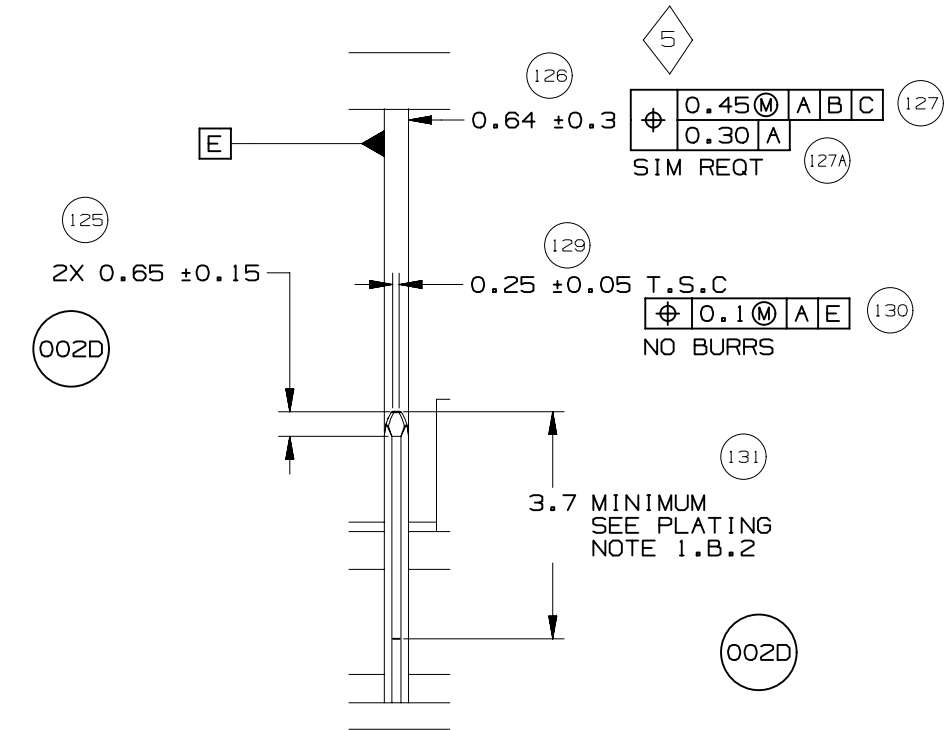
SECTION S-S



DETAIL T  
TYPICAL  
SCALE 5:1

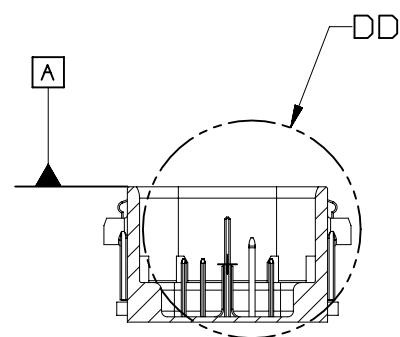
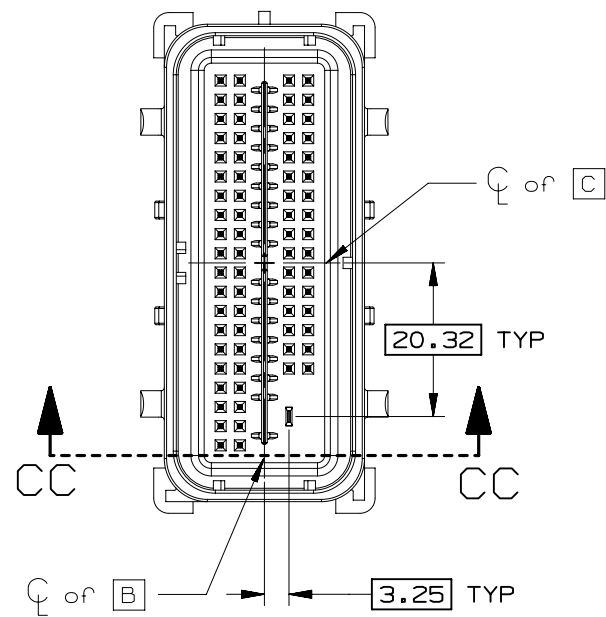


SECTION BB-BB

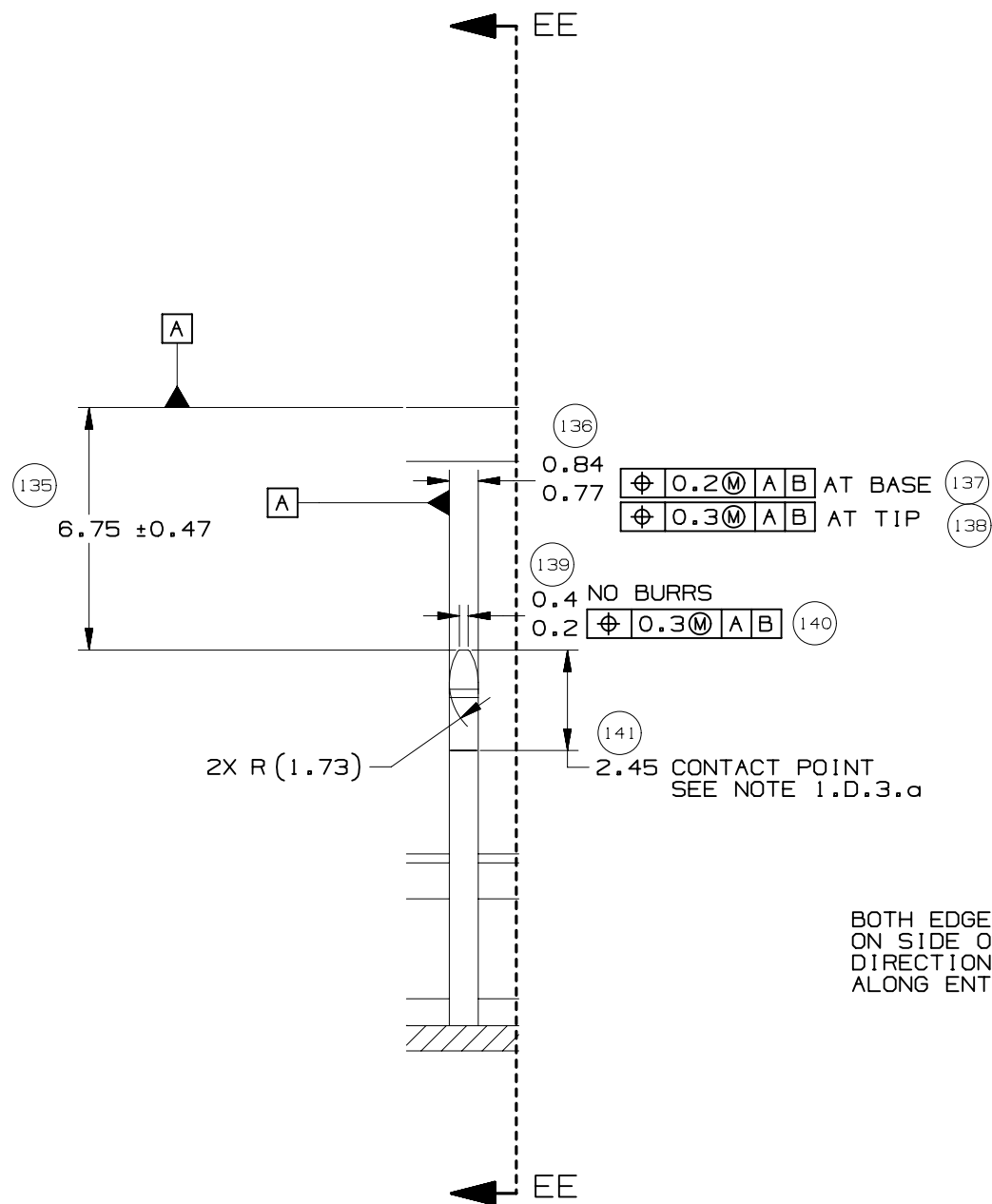


SECTION U-U

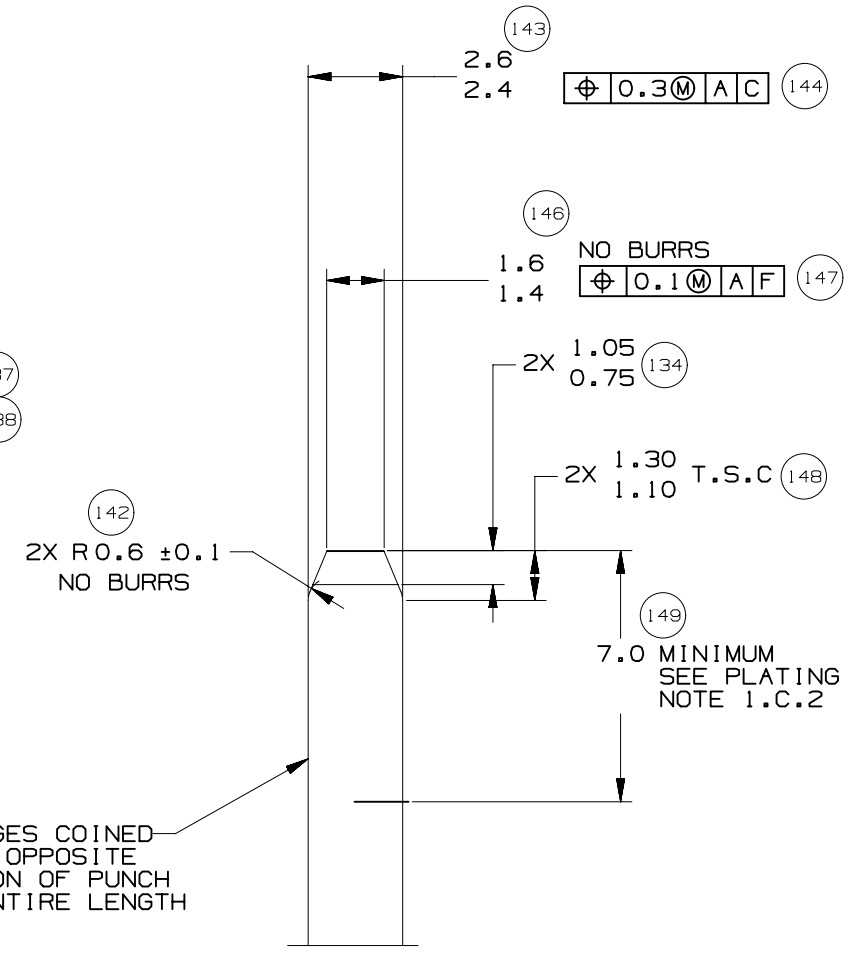




SECTION CC-CC



DETAIL DD  
TYPICAL  
SCALE 5:1

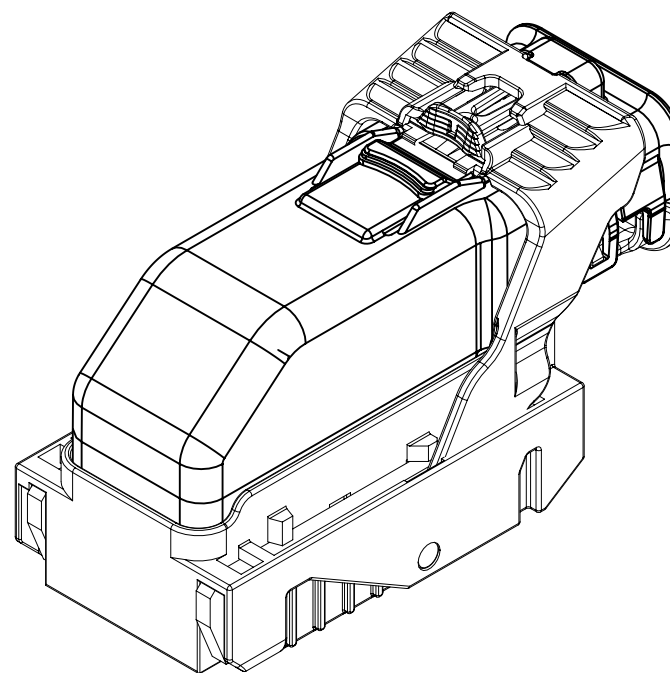


SECTION EE-EE  
TYPICAL


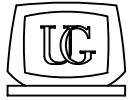
BOTH EDGES COINED  
ON SIDE OPPOSITE  
DIRECTION OF PUNCH  
ALONG ENTIRE LENGTH



INDEX	
PAGE TITLE	PAGE
TITLE BLOCK	1
REVISION BLOCK	2
PART BLOCK	3
KPC BLOCK	4
COMPONENT TABLE	5
NOTES	6
NOTES	7
WIRE DRESS PACKAGING DIMENSIONS	8
LOCATION AND PACKAGING DIMENSIONS REFERENCING INTERFACE DATUMS B & C	9
LOCATION AND PACKAGING DIMENSIONS REFERENCING INTERFACE DATUM A	10
KEY ID REF - WIRE DRESS OPTION 0	11
KEY ID REF - WIRE DRESS OPTION 9	12
CIRCUIT CONFIGURATIONS	13
CIRCUIT CONFIGURATIONS	14
COMPONENT CONNECTOR INTERFACE	15
COMPONENT CONNECTOR INTERFACE	16
COMPONENT CONNECTOR INTERFACE	17
COMPONENT CONNECTOR INTERFACE	18
COMPONENT CONNECTOR INTERFACE	19
COMPONENT CONNECTOR INTERFACE	20
COMPONENT CONNECTOR INTERFACE	21
ADDITIONAL COMPONENTS REQUIRED	22




ISO VIEW

	<p><b>UNLESS OTHERWISE SPECIFIED:</b> THIS DOCUMENT IS IN ACCORDANCE WITH ASME Y14.5M-1994 AS AMMENDED BY THE GM GLOBAL DIMENSIONING AND TOLERANCING ADDENDUM-1997. ALL GEOMETRIC TOLERANCES AND RELATED DATUMS APPLY RFS. RULE #1 (PERFECT FORM AT MMC) DOES NOT APPLY WHEN A RELATIONSHIP BETWEEN FEATURES IS ESTABLISHED BY ORIENTATION OR LOCATION TOLERANCES. SEPARATE POSITION CALLOUTS MAY BE GAGED SEPARATELY REGARDLESS OF DATUM REFERENCES.</p>			DATE	
	 CHANGE RESTRICTED NO MANUAL CHANGES	REFERENCE 12H (MOLEX AUTOMOTIVE)	DRAFTER APVD1 APVD2 APVD3 APVD4 APVD5	05JN15	
DO NOT SCALE		DRAWING NAME  HARNESS CONN ASM-SEALED 52/66/73/80 CKTS, MX123			
METRIC DIMENSIONS SHOWN IN MILLIMETERS UNLESS OTHERWISE SPECIFIED					
		DRAWING NUMBER		PAGE NUMBER	
		12672833		1 OF 22	
		DWG STATUS			
		ST	REV	PDI	
		R	001		

PAGE	DWG STATUS					REVISION HISTORY	AUTH	DR	CK	ENG
	DATE	ST	REV	CHG	PDI					
	05JN15	R	001			RELEASED TO PRODUCTION AT DLS A	CRMRJE	DFK		

PAGE	DWG STATUS					REVISION HISTORY	AUTH	DR	CK	ENG
	DATE	ST	REV	CHG	PDI					

	PAGE TITLE	DRAWING NUMBER	DWG STATUS			PAGE NUMBER	
	REVISION BLOCK		12672833	ST	REV	PDI	2 OF 22
				R	001		



KEY PRODUCT CHARACTERISTICS  
(IN ACCORDANCE WITH QN 1805 OR ON 1050)



SAFETY/COMPLIANCE

TOTAL ON  
DRAWING

4



FIT/FUNCTION

LAST NO.  
USED

4

NO	TYPE	DESCRIPTION	RATIONALE	PAGE/ZONE
1	F/F	32.68	IMPROVE CONNECTOR SYSTEM MATING	16
2	F/F	29.00	INSURE PROPER RELEASE OF LEVER	16
3	F/F	15.25	INSURE FINAL MATE POSITION	17
4	F/F	POSITIONAL TOLERANCE (2 PLACES)	INSURE CONNECTOR SYSTEM MATEABILITY	20



PAGE TITLE  
KPC BLOCK

DRAWING NUMBER

12672833

DWG STATUS

ST	REV	PDI
----	-----	-----

R	001	
---	-----	--

PAGE NUMBER

4 OF 22

LINE	MFG.	MFG. P/N	GM P/N	EFFECTIVE DATE	APPLICABLE COMPONENTS	KEY OPTION	WIRE DRESS OPTION	KEY CONFIG.	COLOR	STATUS
					DESCRIPTION					
-										
1	MOLEX	34565-0003	12582676	02JN03	MX123 DRESS COVER 52/66/73/80 CKT	N/A	N/A	N/A	BLACK	AVAILABLE
2	MOLEX	160094-0001	12672852	01SP13	MX123 HRNS CONN ASSY 52 CKT	A	0	1458	BLACK	AVAILABLE
3	MOLEX	160094-0003	12672854	01SP13	MX123 HRNS CONN ASSY 52 CKT	C	0	2467	BLUE	AVAILABLE
4	MOLEX	160094-0013	12672853	01SP13	MX123 HRNS CONN ASSY 52 CKT	A	9	1458	BLACK	AVAILABLE
5	MOLEX	160094-0015	12672855	01SP13	MX123 HRNS CONN ASSY 52 CKT	C	9	2467	BLUE	AVAILABLE
6	MOLEX	34822-0013	12672856	01SP13	MX123 HRNS CONN ASSY 66 CKT	A	0	1458	BLACK	AVAILABLE
7	MOLEX	34822-0033	12672858	01SP13	MX123 HRNS CONN ASSY 66 CKT	C	0	2467	BLUE	AVAILABLE
8	MOLEX	34822-0023	12672857	01SP13	MX123 HRNS CONN ASSY 66 CKT	A	9	1458	BLACK	AVAILABLE
9	MOLEX	34822-0043	12672859	01SP13	MX123 HRNS CONN ASSY 66 CKT	C	9	2467	BLUE	AVAILABLE
10	MOLEX	34566-0103	12672860	11JN04	MX123 HRNS CONN ASSY 73 CKT	A	0	1458	BLACK	AVAILABLE
11	MOLEX	34566-0203	12672862	11JN04	MX123 HRNS CONN ASSY 73 CKT	B	0	1468	ST GRAY	AVAILABLE
12	MOLEX	34566-0303	12672864	09AP08	MX123 HRNS CONN ASSY 73 CKT	C	0	2467	BLUE	AVAILABLE
13	MOLEX	34566-0603	12672866	05DC14	MX123 HRNS CONN ASSY 73 CKT	F	0	1357	NATURAL	AVAILABLE
14	MOLEX	34566-1303	12672861	11JN04	MX123 HRNS CONN ASSY 73 CKT	A	9	1458	BLACK	AVAILABLE
15	MOLEX	34566-1403	12672863	11JN04	MX123 HRNS CONN ASSY 73 CKT	B	9	1468	ST GRAY	AVAILABLE
16	MOLEX	34566-1503	12672865	09AP08	MX123 HRNS CONN ASSY 73 CKT	C	9	2467	BLUE	AVAILABLE
17	MOLEX	34566-1803	12672867	05DC14	MX123 HRNS CONN ASSY 73 CKT	F	9	1357	NATURAL	AVAILABLE
18	MOLEX	34566-0703	12672872	09AP08	MX123 HRNS CONN ASSY 80 CKT	G	0	1358	BLUE	AVAILABLE
19	MOLEX	34566-0803	12672870	11JN04	MX123 HRNS CONN ASSY 80 CKT	H	0	2458	ST GRAY	AVAILABLE
20	MOLEX	34566-0903	12672868	T.B.D	MX123 HRNS CONN ASSY 80 CKT	J	0	2457	BLACK	NOT ACTIVE
21	MOLEX	34566-1903	12672873	09AP08	MX123 HRNS CONN ASSY 80 CKT	G	9	1358	BLUE	AVAILABLE
22	MOLEX	34566-2003	12672871	11JN04	MX123 HRNS CONN ASSY 80 CKT	H	9	2458	ST GRAY	AVAILABLE
23	MOLEX	34566-2103	12672869	T.B.D	MX123 HRNS CONN ASSY 80 CKT	J	9	2457	BLACK	NOT ACTIVE
24	MOLEX	34736-0028	12672851	01AU10	MX64 RCPT TERM Ag 0.5mm/0.75mm ISO GAGE B (RIGHT PAYOFF)	N/A	N/A	N/A	N/A	AVAILABLE
25	MOLEX	34736-0026	12672850	01AU10	MX64 RCPT TERM Ag 0.35mm ISO GAGE B (RIGHT PAYOFF)	N/A	N/A	N/A	N/A	AVAILABLE
26	MOLEX	34586-0001	12674820	11JN04	MX123 0.64mm GROMMET PLUG	N/A	N/A	N/A	NATURAL	AVAILABLE
27	YAZAKI	7116-4150-02	12588066	02JN03	2.8mm YESC SEALED FEMALE TERMINAL TIN 0.35mm2-0.50mm2	N/A	N/A	N/A	N/A	NOT ACTIVE
28	YAZAKI	7116-4151-02	12588067	02JN03	2.8mm YESC SEALED FEMALE TERMINAL TIN 0.75mm2-1.0mm2	N/A	N/A	N/A	N/A	NOT ACTIVE
29	YAZAKI	7116-4152-02	12582685	02JN03	2.8mm YESC SEALED FEMALE TERMINAL TIN 1.5mm2-2.5mm2	N/A	N/A	N/A	N/A	AVAILABLE
30	YAZAKI	7158-3111-60	12588068	02JN03	2.8mm CABLE SEAL (wire O.D. range 1.2mm-1.9mm)	N/A	N/A	N/A	GREEN	NOT ACTIVE
31	YAZAKI	7158-3112-70	12588069	02JN03	2.8mm CABLE SEAL (wire O.D. range 1.8mm-2.3mm)	N/A	N/A	N/A	YELLOW	NOT ACTIVE
32	YAZAKI	7158-3113-40	12582686	02JN03	2.8mm CABLE SEAL (wire O.D. range 2.1mm-3.0mm)	N/A	N/A	N/A	WHITE	AVAILABLE
33	YAZAKI	7158-3114-90	12674821	02JN03	2.8mm YESC CAVITY PLUG	N/A	N/A	N/A	BLUE	AVAILABLE
34	MOLEX	63825-8400	N/A	02JN03	MX64 TERM HAND CRIMP TOOL	N/A	N/A	N/A	N/A	AVAILABLE
35	MOLEX	63813-1400	XX019826	02JN03	MX64 TERM SERVICE TOOL	N/A	N/A	N/A	N/A	AVAILABLE
36	MOLEX	63902-5300	N/A	02JN03	MX64 CRIMP APPLICATOR with TOOL KIT 0.5/0.75mm2 PAYOFF DIRECTION D (left payoff) (contact Molex for payoff detail)	N/A	N/A	N/A	N/A	AVAILABLE
37	MOLEX	63902-5370	N/A	02JN03	MX64 APPLICATOR TOOL KIT 0.5/0.75mm2	N/A	N/A	N/A	N/A	AVAILABLE
38	MOLEX	63902-5100	N/A	02JN03	MX64 CRIMP APPLICATOR with TOOL KIT 0.35mm2 PAYOFF DIRECTION D (left payoff) (contact Molex for payoff detail)	N/A	N/A	N/A	N/A	AVAILABLE
39	MOLEX	63902-5170	N/A	02JN03	MX64 APPLICATOR TOOL KIT 0.35mm2	N/A	N/A	N/A	N/A	AVAILABLE
40	SPX	J35616-64	T.B.D.	02JN03	0.64mm PROBE TOOL (for rcpt)	N/A	N/A	N/A	N/A	AVAILABLE
41	SPX	J35616-64A	T.B.D.	02JN03	0.64mm PROBE TOOL WITH EXT (for rcpt)	N/A	N/A	N/A	N/A	AVAILABLE
42	SPX	J35616-65	T.B.D.	02JN03	0.64mm PROBE TOOL WITH EXT (for pin)	N/A	N/A	N/A	N/A	AVAILABLE
43	SPX	J35616-4A	T.B.D.	02JN03	2.8mm PROBE TOOL (for rcpt)	N/A	N/A	N/A	N/A	AVAILABLE
44	YAZAKI	X39899-J374	12094430	02JN03	2.8mm TERM SERVICE TOOL	N/A	N/A	N/A	N/A	AVAILABLE
45	TQI	7000-1006	N/A	15JN15	52 CKT PASS THROUGH ADAPTERS	N/A	N/A	N/A	BLACK	AVAILABLE
46	TQI	7000-1002	N/A	15JN15	66 CKT PASS THROUGH ADAPTERS	N/A	N/A	N/A	BLACK	AVAILABLE
47	TQI	79917-0061	N/A	15JN15	73 CKT PASS THROUGH ADAPTERS	N/A	N/A	N/A	BLACK	AVAILABLE
48	TQI	79917-0066	N/A	15JN15	80 CKT PASS THROUGH ADAPTERS	N/A	N/A	N/A	BLACK	AVAILABLE

\* - MX123 DRESS COVER 52/66/73/80 CKT MATES TO ANY MX123 HARN CONN ASSY SHOWN ON TABLE ABOVE



PAGE TITLE  
COMPONENT TABLE

DRAWING NUMBER

12672833

DWG STATUS

ST REV PDI

R 001

PAGE NUMBER

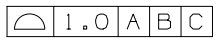
5 OF 22

NOTES: UNLESS OTHERWISE SPECIFIED

1. MATERIAL FOR INTERFACE:


- A. RESIN:
  - 1. 30% G.F. PBT; 20% MAX. (BY WEIGHT) REGRIND.
  - 2. MATING CONNECTOR INTERFACE PART COLOR MUST BE SAME AS MATCHING KEYED HARNESS CONNECTOR ASSEMBLY.
  - 3. MUST BE VALIDATED FOR INDIVIDUAL DEVICE APPLICATION REQUIREMENTS.
- B. 0.64MM PINS:
  - 1. BASE MATERIAL: COPPER ALLOY; CONDUCTIVITY >= 28% IACS AT 20°C; TENSILE STRENGTH >= 635 N/mm<sup>2</sup>; SURFACE ROUGHNESS R<sub>a</sub> 6 MAX.
  - 2. PLATING FINISH: SILVER (Ag). PLATING TO BE 1.9-3.3 μm ELECTRODEPOSITED SEMI-BRIGHT SILVER OVER 1.25-2.25 μm DUCTILE SULPHAMATE NICKEL PER NOTE 1(D).
  - 3. ANTI-TARNISH: SYNTHETIC HYDROCARBON CONTACT SURFACE FINISH OR EQUIVALENT APPLIED WITHOUT VOID TO CONTACT AREA (MIN 3.7mm FROM PIN TIP).
- C. 2.8MM BLADE:
  - 1. BASE MATERIAL: COPPER ALLOY; CONDUCTIVITY >= 28% IACS AT 20°C; TENSILE STRENGTH >= 350 N/mm<sup>2</sup>; SURFACE ROUGHNESS R<sub>a</sub> 6 MAX.
  - 2. PLATING FINISH: TIN. PLATING TO BE 2.5-5.0 μm ELECTRODEPOSITED TIN, MATTE FINISH OVER 1.25-2.5 μm DUCTILE SULPHAMATE NICKEL PER NOTE 1(D).
- D. PLATING REQUIREMENTS:
  - 1. SILVER PLATING
    - a. 99.5% PURE SEMI-BRIGHT WITH NO ORGANIC BRIGHTNERS OR CHROMATES.
  - 2. NICKEL PLATING
    - a. ELECTRODEPOSITED DUCTILE SULFAMATE NICKEL WITH A NON-BRIGHTENED FINISH. NO ORGANIC OR BRIGHTENING AGENTS SHALL BE ALLOWED.
    - b. SHALL ONLY BE USED AS AN UNDERLYING PLATING AND MAY NOT BE USED AS AN ELECTRICAL CONTACT SURFACE PLATING.
    - c. SHALL BE NODULE FREE WHEN VIEWED AT 10X MAGNIFICATION IN MEASURED IN CONTACT SURFACE AREA PLUS 0.5MM PERIMETER AROUND THE CONTACT SURFACE AREA.
    - d. ALL PLATINGS SHALL HAVE A 1.0% MAXIMUM BY WEIGHT IMPURITIES. IMPURITIES ARE DEFINED AS ALL ELEMENTS NOT THE PRIMARY PLATING OR HARDENING AGENT IF APPLICABLE, AS DETERMINED BY WET CHEMICAL ANALYSIS OR AUGER METHOD. NO SINGLE IMPURITY SHALL EXCEED 0.1% MAXIMUM BY WEIGHT.
  - 3. TESTING
    - a. THICKNESS TO BE MEASURED IN CONTACT SURFACE AREA PLUS 0.5MM PERIMETER AROUND THE CONTACT SURFACE AREA AS DESIGNATED IN THE DRAWING. THICKNESS SHALL BE DETERMINED BY METHOD OF X-RAY (XRF).
    - b. PLATING ADHESION SHALL BE TESTED BY A BEND TEST FOR ALL METALS. THE TEST SAMPLE SHALL BE BENT 90 DEGREES TO DETERMINE DEPOSIT ADHESION. TESTING SHALL BE COMPLETED IN ACCORDANCE WITH ASTM SPEC B571.

2. DESIGN - GENERAL:

- A. THIS IS A 100% CAD GENERATED PART. THE CAD MATHEMATICAL DATA IS THE MASTER FOR THIS PART. FOR DIMENSIONAL OR ANY INFORMATION NOT SHOWN ON THIS DRAWING, ANALYZE THE CAD MODEL.
- B. TOLERANCES:
  - 1. LINEAR
    - 0.X ± 0.30
    - 0.XX ± 0.10
    - 0.XXX ± 0.10
  - 2. ANGULAR X° ± 3°
  - 3. 
- C. MINIMUM WALL THICKNESS REQUIRED: 1.3mm.
- D. CORNERS SHOWN AS SHARP TO BE R 0.2 MAX.
- E. LETTERING SHALL BE 0.15 MAX RAISED IN 0.20 MAX RECESS PAD. THIS INCLUDES MATERIAL CODE, RECYCLING CODE, CAVITY ID AND DATE CODE.
- F-1. PARTS MUST BE FREE OF DISCOLORATION, SALT RESIDUE AND OTHER IMPERFECTIONS THAT AFFECT FIT OR FUNCTION.
- F-2. SCRATCHES OR DENTS NOT TO EXCEED 0.013mm IN DEPTH.
- G. FOLLOWING PRODUCTION CODES TO BE PERMANENTLY MARKED & HUMAN READABLE TO A LETTER HEIGHT OF 1.5 ± 0.5MM X 0.3 MAX DEEP
  - 1. MATERIAL #: XXXXX-XXXX
  - 2. DATE CODE: JJJY (JULIAN DAY, LAST DIGIT OF YEAR)
  - 3. INSPECTION MACHINE CODE + SERIAL #: X\_XXXXX

3. DESIGN - MANUFACTURING:

- A. DRAFT TO BE WITHIN TOLERANCE.
- B. ALLOWABLE FLASH MAX 0.2 HIGH X MAX 0.13 THICK.
- C. ALLOWABLE PARTING LINE MISMATCH 0.2 MAX.
- D. EJECTOR PINS MARK TO BE FLUSH TO 0.25 MAX DEPRESSED.
- E. ALLOWABLE GATE VESTIGE FLUSH TO 0.25 MAX PROTRUSION.
- F. NO EXTERNAL MOLD RELEASE AGENT ALLOWED DURING MANUFACTURING.
- G. STEEL THAT FORMS THE INDICATED SURFACE MUST BE POLISHED WITH A DIAMOND FINISH (SPI A-2) OVER THE FULL PERIPHERY OF THE TOOL. SURFACE MUST HAVE NO MISMATCH.
- H. ANY PROCESS LUBRICANT REMAINING ON THE TERMINAL MUST NOT VARNISH OR DEGRADE IT'S ELECTRICAL PERFORMANCE UP TO A MAXIMUM CLASS AMBIENT TEMPERATURE PER SAE USCAR-2 FOR 1008 HOURS. PROCESS LUBRICANTS SHOULD BE APPROVED BY THE RESPONSIBLE ENGINEER.
- J. OPTIONAL FEATURES PROVIDED FOR AUTOMATION.
- K. PART MUST BE FREE FROM BURRS AND SHARP EDGES, WHICH MIGHT BE DETRIMENTAL TO SATISFACTORY ASSEMBLY, SAFE HANDLING OR FUNCTION OF PART.
- L. PARTS AS DELIVERED TO ASSEMBLY SHALL BE CLEAN AND FREE OF DEBRIS, RESIDUAL ABRASIVE MATERIAL AND CORROSION PRODUCTS ADVERESLY AFFECTING FUNCTION OR APPEARANCE.
- M. RESTRICTED AND REPORTABLE SUBSTANCES FOR PARTS PER GMW3059.

	PAGE TITLE	DRAWING NUMBER	DWG STATUS			PAGE NUMBER	
	NOTES		12672833	ST	REV	PDI	6 OF 22
				R	001		



NOTES: UNLESS OTHERWISE SPECIFIED

4. SYSTEM REQUIREMENTS:

- A. HARNESS CONNECTOR IS COMPATIBLE WITH THE FOLLOWING ISO WIRE SIZE NO'S:  
 0.35mm<sup>2</sup>, MEETING GMW15626 - MIN OD OF 1.30MM  
 0.50mm<sup>2</sup>, MEETING GMW15626  
 0.75mm<sup>2</sup>, MEETING GMW15626 - MAX OD OF 2.06MM

B. CABLE TIE SPECIFICATIONS:

1. CABLE TIE:
  - TENSILE RATING: 220N / (50lbs) MIN
  - TIE LENGTH: 186mm MIN
  - TIE WIDTH: 4.75mm MAX
  - MATERIAL: NYLON
2. INSTALLATION:
  - CABLE TIE TENSION: 190N MIN
3. DRESSED WIRE BUNDLE PACKAGING: SEE FIG. 1

C. WHEN MATED WITH COMPONENT CONNECTOR INTERFACE AND/OR DRESS COVER, HARNESS CONNECTOR SYSTEM CONFORMS TO THE FOLLOWING:

1. SAE/USCAR-2, REV: 3 APRIL, 2001; CLASS 3
2. FIELD CORRELATED LIFE TEST, SAE/USCAR-20, NOV. 2001
3. GMW #3191 AUGUST 22, 2000 (DRAFT); TEMPERATURE CLASS 3, SEALING CLASS 1, VIBRATION CLASS 2
4. RESTRICTED AND REPORTABLE CHEMICALS PER GMW #3059, REV: D AUGUST 2002
5. TPA USER FORCES (FULLY POPULATED WITH TERMINALS)
  - a. REMOVAL FROM LOCK TO PRE-SET: <=120N

D. WIRE SPECIFICATIONS:

1. WIRE SURFACE MUST BE FREE OF SCRATCHES, GROOVES OR DENTS WHERE FUNCTIONAL

5. TERMINAL CURRENT RATINGS:

A. MX64 RCPT TERM

ALL TESTING DONE IN ACCORDANCE WITH USCAR-2 REV5 SECTION 5.3

1. MX64 RCPT TERM Ag 0.50/0.75mm<sup>2</sup> CRIMPED TO 0.75mm<sup>2</sup> ISO WIRE AND MATED TO MX123 0.64MM PIN: SEE TABLE BELOW
2. MX64 RCPT TERM Ag 0.35mm<sup>2</sup> CRIMPED TO 0.35mm<sup>2</sup> ISO WIRE AND MATED TO MX123 0.64MM PIN: SEE TABLE BELOW

WIRE	CURRENT RATING			
	23°C	85°C	105°C	125°C
0.75mm <sup>2</sup>	11.3A	11.3A	9.5A	6.6A
0.50mm <sup>2</sup>	10.0A	10.0A	8.3A	5.7A
0.35mm <sup>2</sup>	8.5A	8.5A	7.1A	5.0A

B. 2.8MM RCPT TERM

ALL TESTING DONE IN ACCORDANCE WITH MOLEX DVP&R 0279 (TR # 7125)

1. 2.8MM RCPT TERM TIN 2.0mm<sup>2</sup> CRIMPED TO 2.0mm<sup>2</sup> ISO WIRE AND MATED TO MX123 2.8MM BLADE: 25.6 AMPS AT 125°C

6. CONTACT MOLEX AUTOMOTIVE FOR AVAILABLE CUSTOM PATTERNS OF CAVITIES OPEN FOR CIRCUITS - SEE GM DRAWING 13507496



PAGE TITLE  
NOTES

DRAWING NUMBER

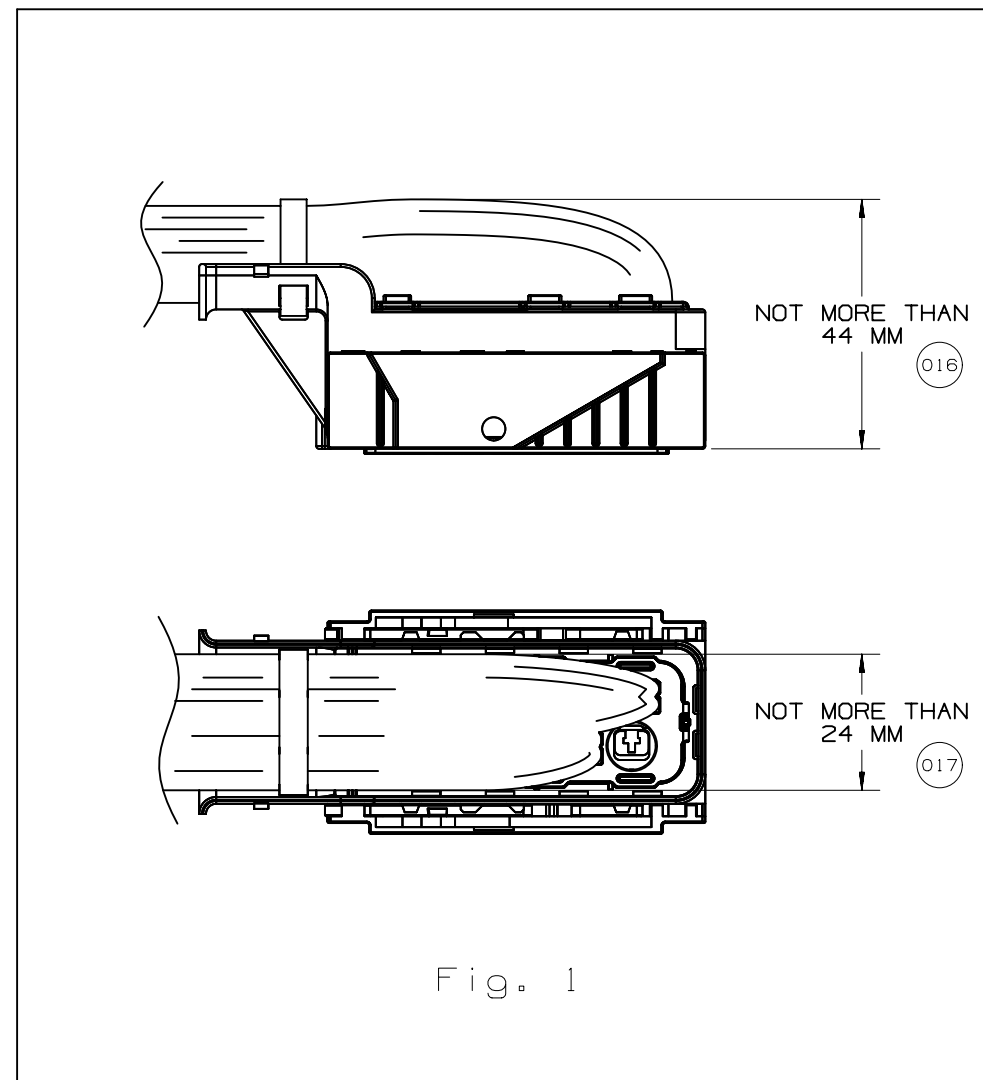
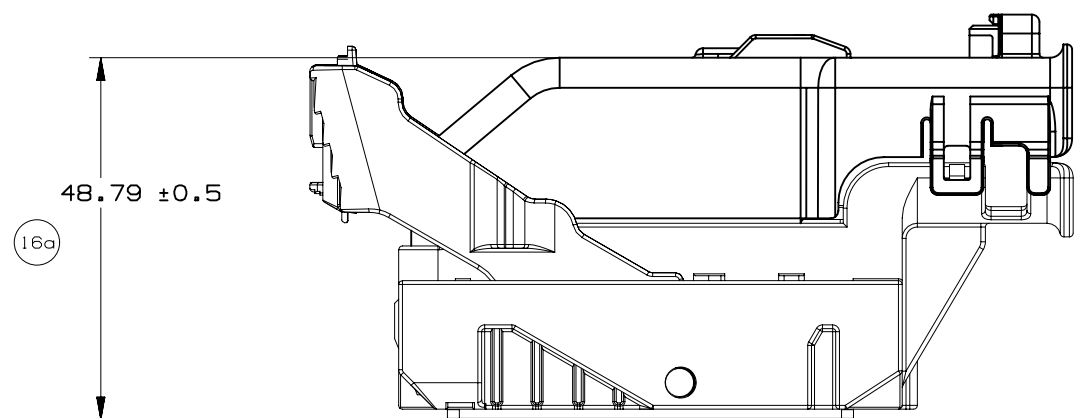
12672833

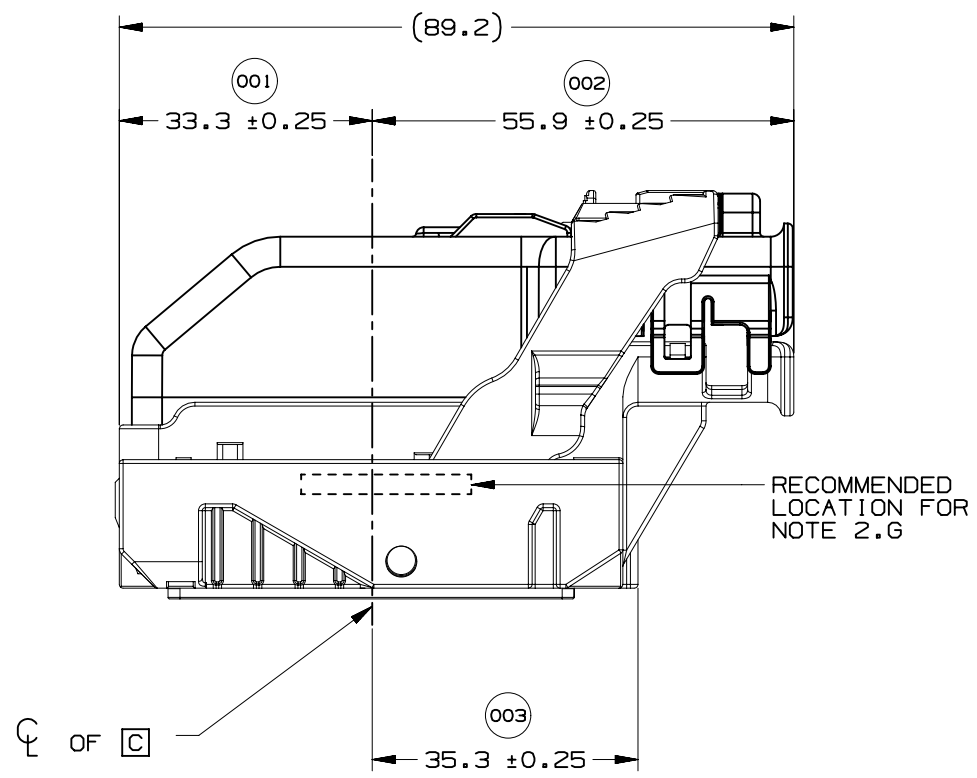
DWG STATUS

ST	REV	PDI
R	001	

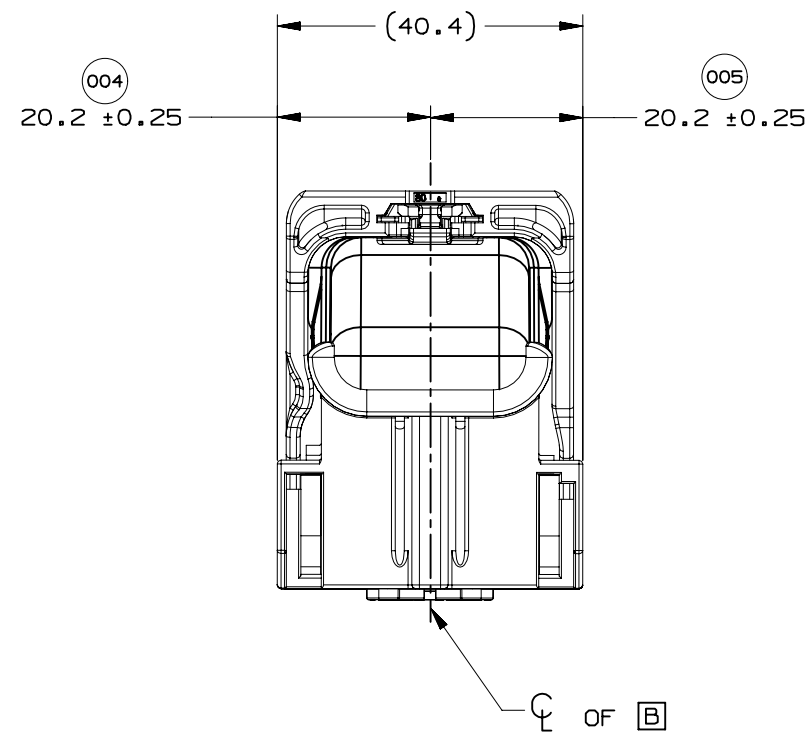
PAGE NUMBER

7 OF 22

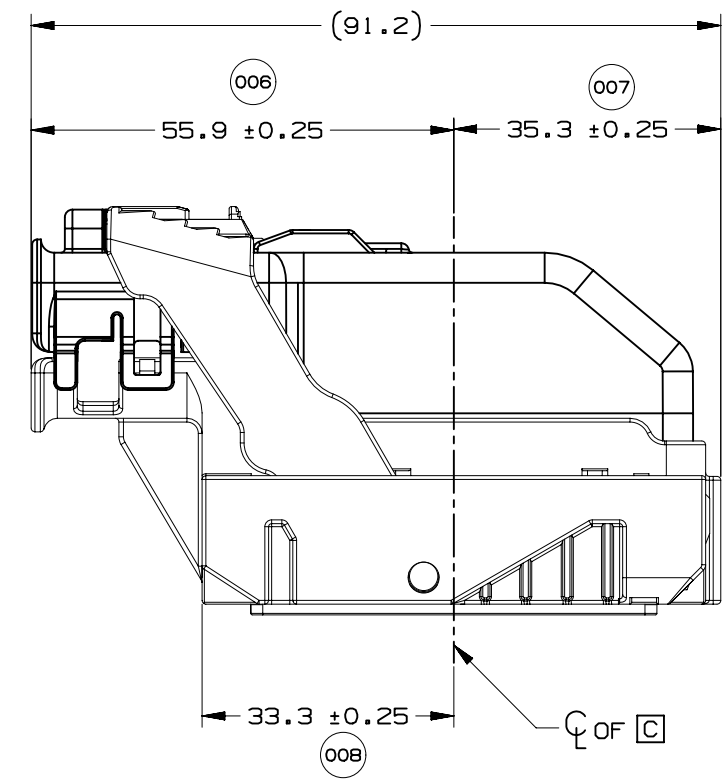




WIRE DRESS OPTION 0 SHOWN

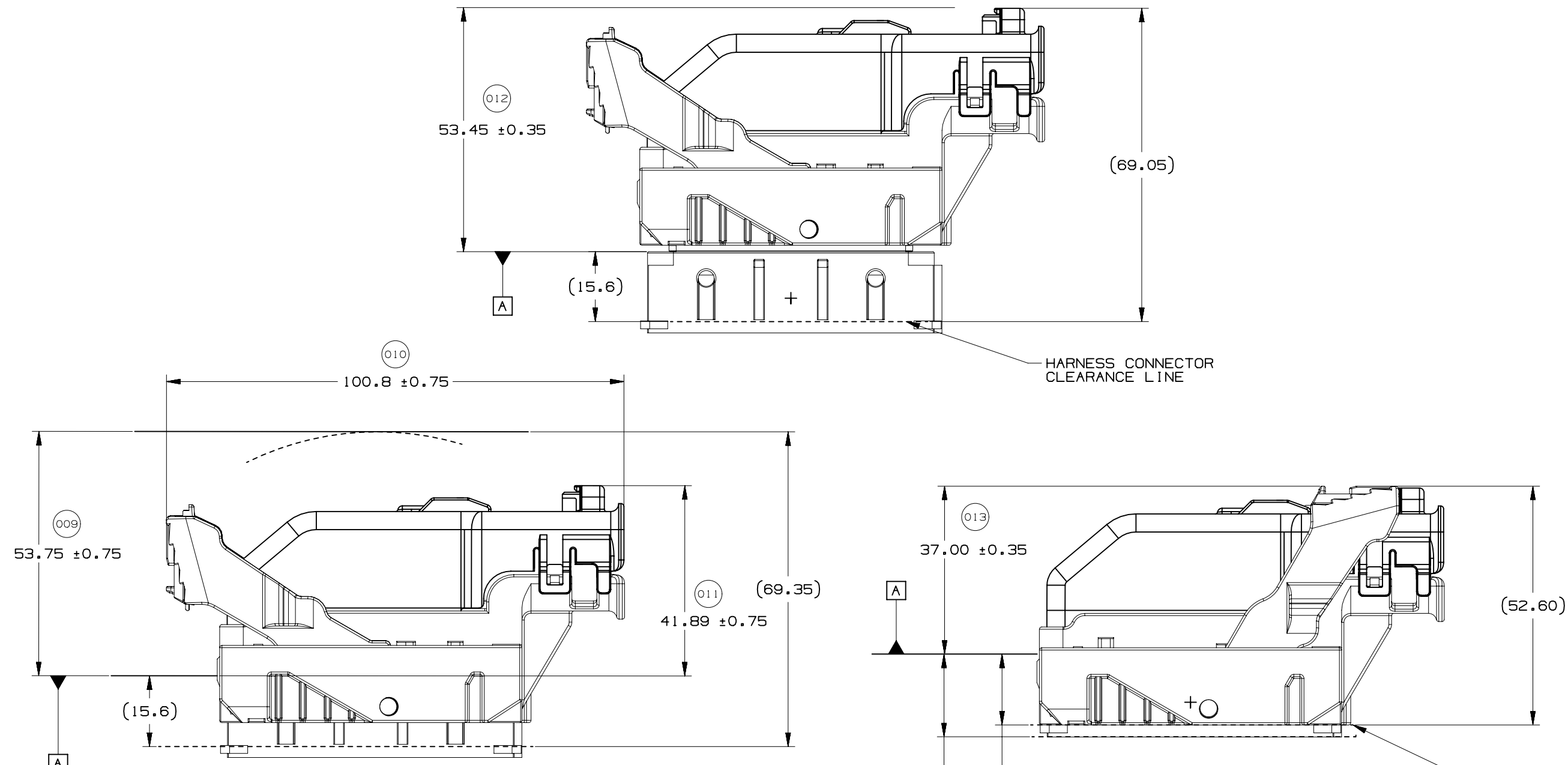


WIRE DRESS OPTION 0 SHOWN



WIRE DRESS OPTION 9 SHOWN





HARNESS CONNECTOR CLEARANCE LINE

HARNESS CONNECTOR ASSEMBLY IN FULLY-MATED POSITION

HARNESS CONNECTOR CLEARANCE LINE

15.6 MIN. ALL AROUND CLEARANCE REQUIRED FOR HARNESS CONNECTOR (014)

17.9 MIN. AT PAD LOCATION CLEARANCE REQUIRED FOR HARNESS CONNECTOR CONSTRUCTION BELOW THIS PLANE IS NOT CONTROLLED (015)

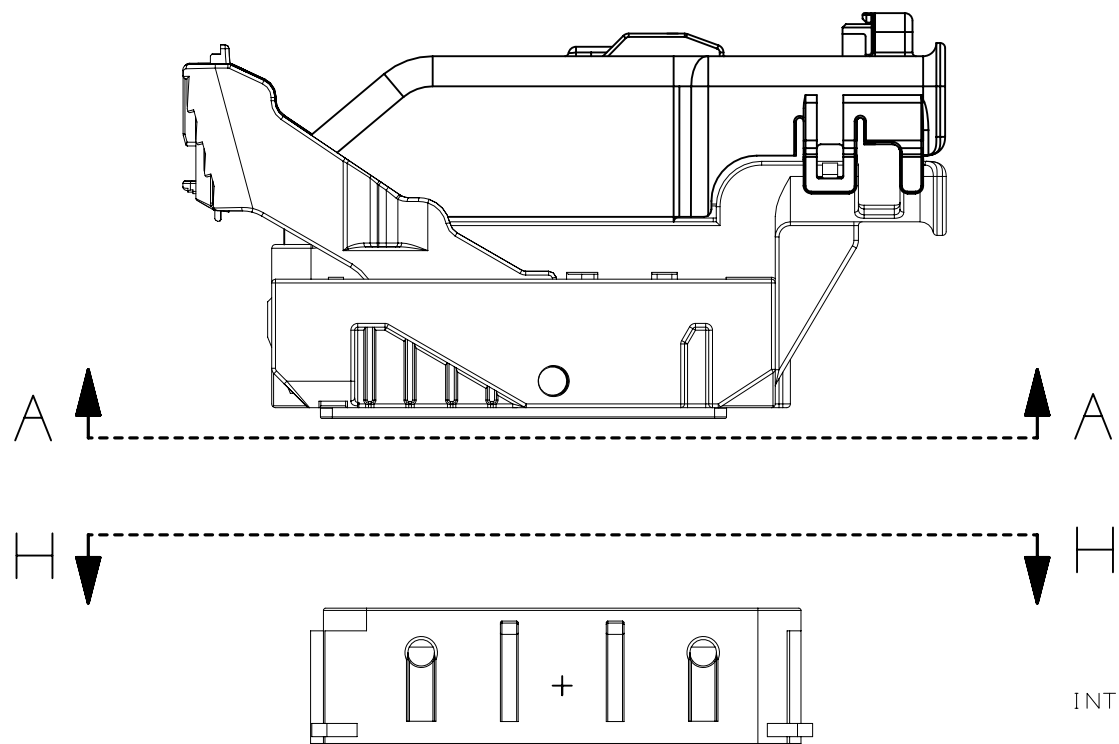


PAGE TITLE  
LOCATION AND PACKAGING DIMENSIONS  
REFERENCING INTERFACE DATUM A

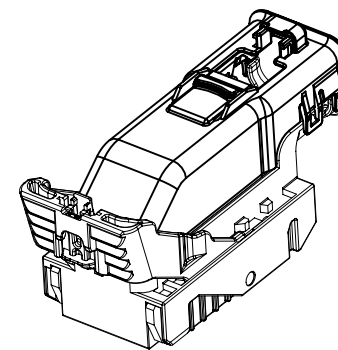
DRAWING NUMBER  
12672833

DWG STATUS		
ST	REV	PD1
R	001	

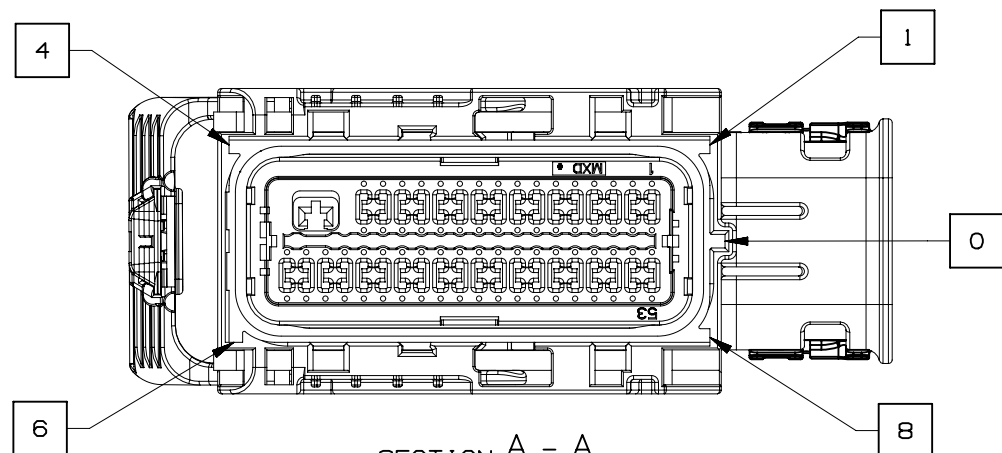
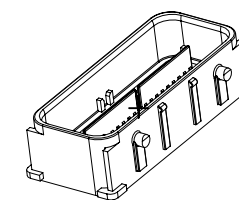
PAGE NUMBER  
10 OF 22



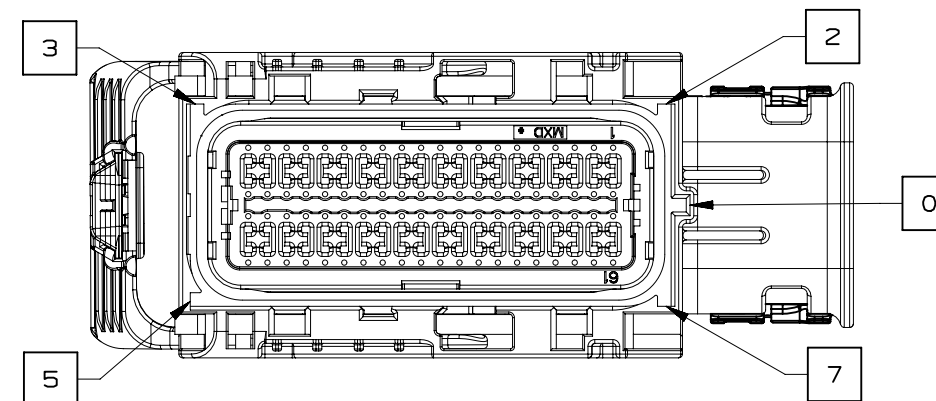
INTERFACE SIDE SHOWN ON ALL SECTION VIEWS



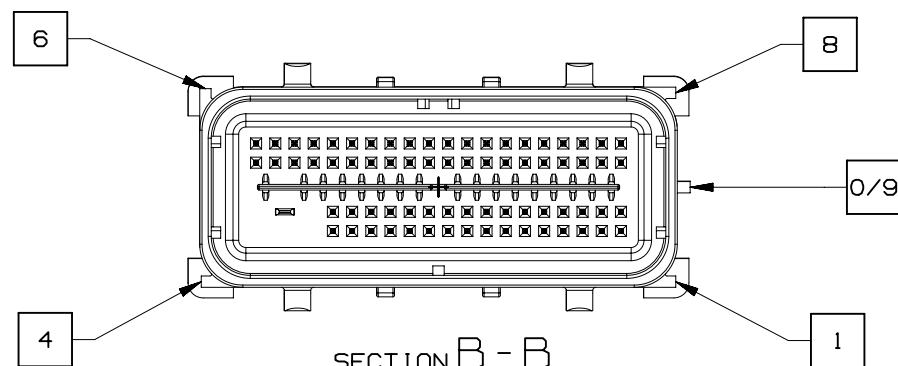
NOTE: REFERENCE THE COMPONENT TABLE FOR KEY OPTIONS AND CONFIGURATIONS



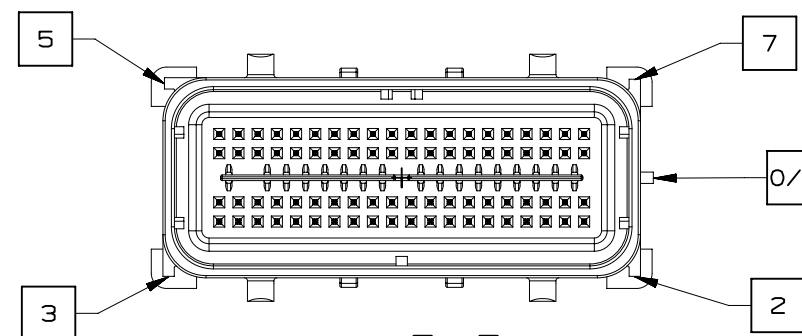
SECTION A - A  
73 CKT HARNESS CONNECTOR ASSEMBLY  
KEY OPTION B SHOWN



SECTION A - A  
80 CKT HARNESS CONNECTOR ASSEMBLY  
KEY OPTION K SHOWN



SECTION B - B  
73 CKT HARNESS CONNECTOR ASSEMBLY  
KEY OPTION B SHOWN



SECTION B - B  
80 CKT HARNESS CONNECTOR ASSEMBLY  
KEY OPTION K SHOWN

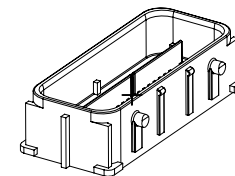
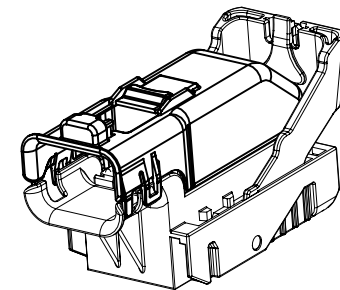
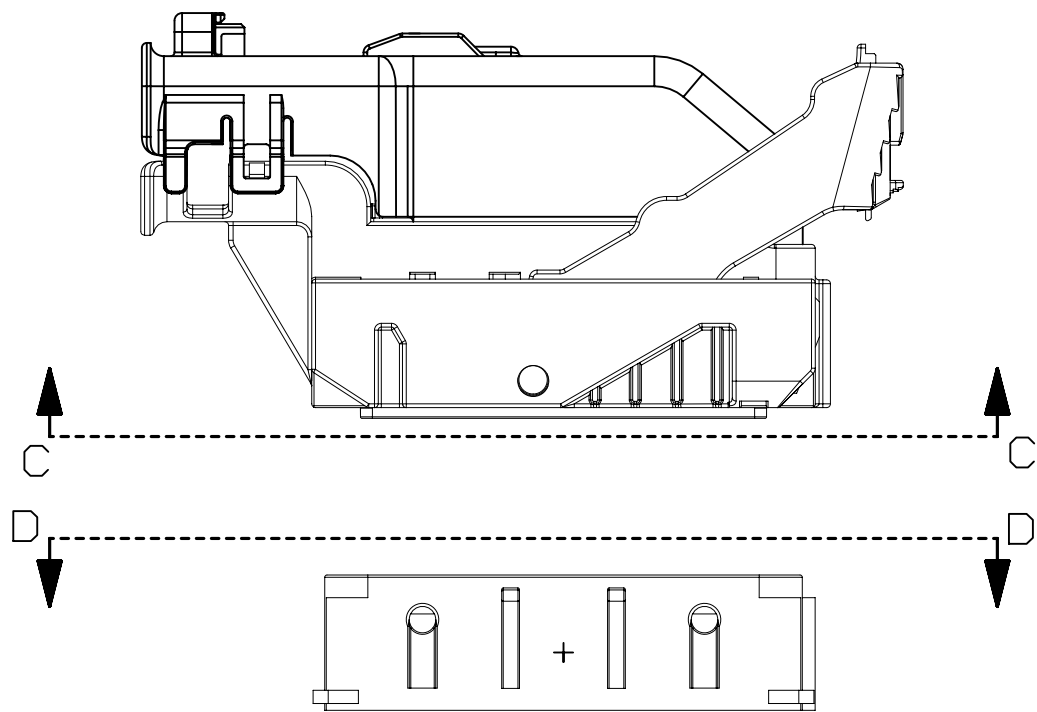


PAGE TITLE  
KEY ID REF - WIRE DRESS OPTION 0

DRAWING NUMBER  
12672833

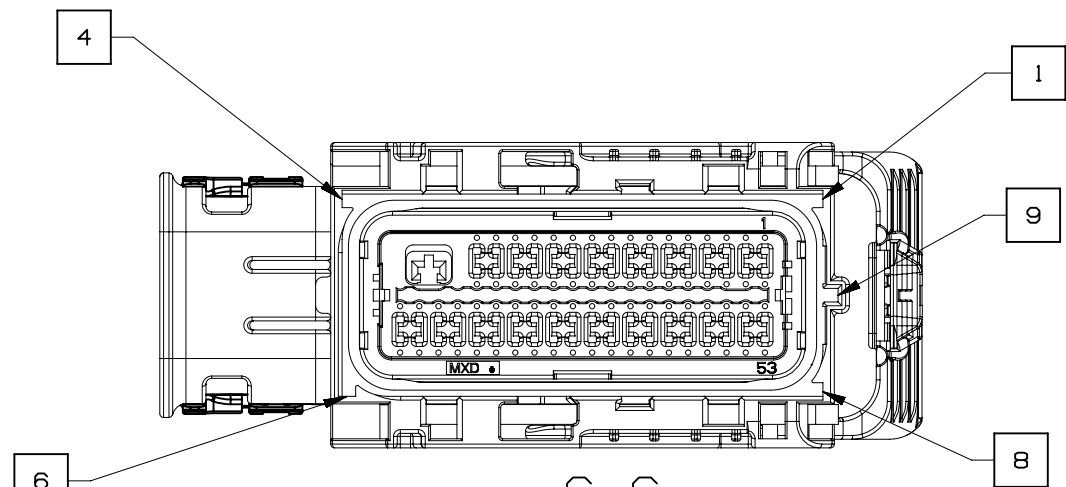
DWG STATUS		
ST	REV	PD1
R	001	

PAGE NUMBER  
11 OF 22

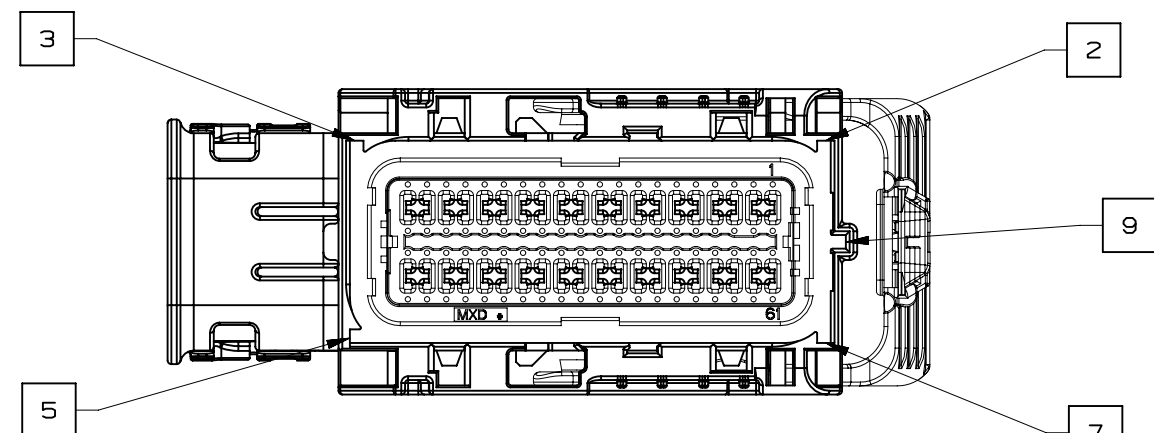


NOTE: REFERENCE THE COMPONENT TABLE FOR KEY OPTIONS AND CONFIGURATIONS

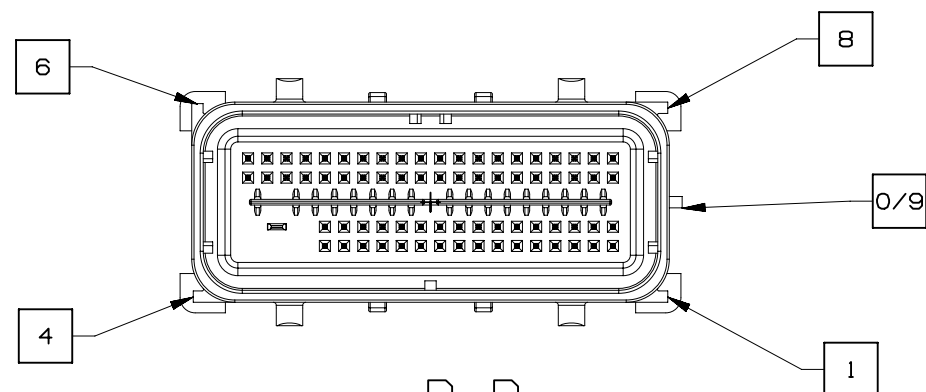
INTERFACE SIDE SHOWN ON ALL SECTION VIEWS



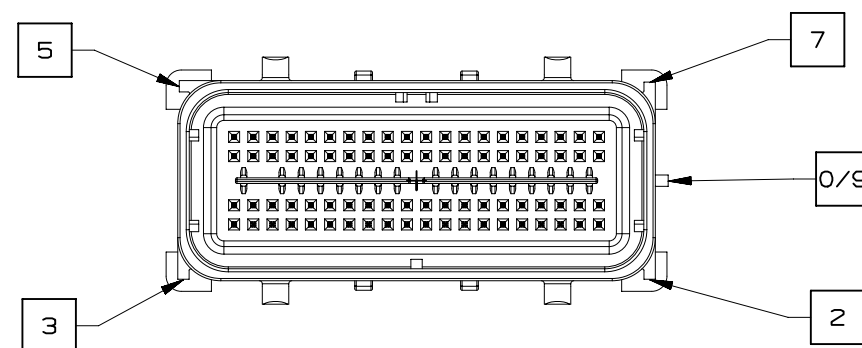
SECTION C - C  
73 CKT HARNESS CONNECTOR ASSEMBLY  
KEY OPTION B SHOWN



SECTION C - C  
80 CKT HARNESS CONNECTOR ASSEMBLY  
KEY OPTION K SHOWN



SECTION D - D  
73 CKT HARNESS CONNECTOR ASSEMBLY  
KEY OPTION B SHOWN



SECTION D - D  
80 CKT HARNESS CONNECTOR ASSEMBLY  
KEY OPTION K SHOWN

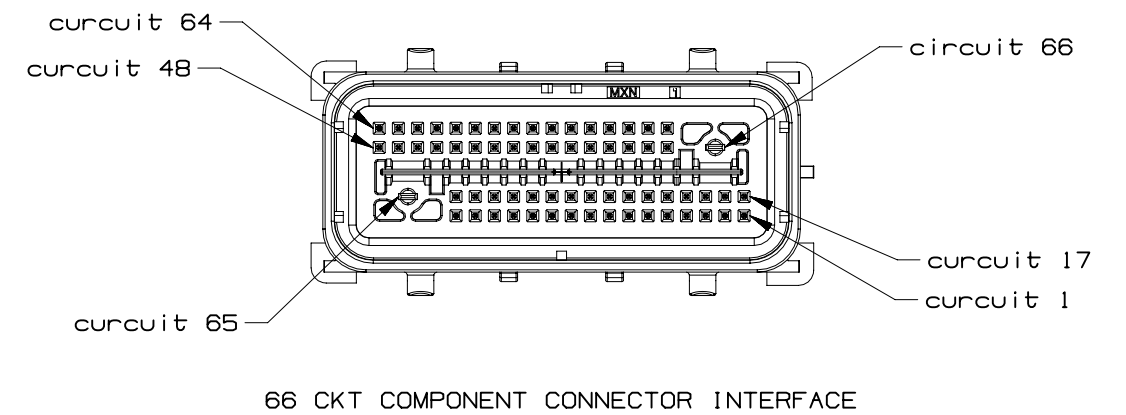
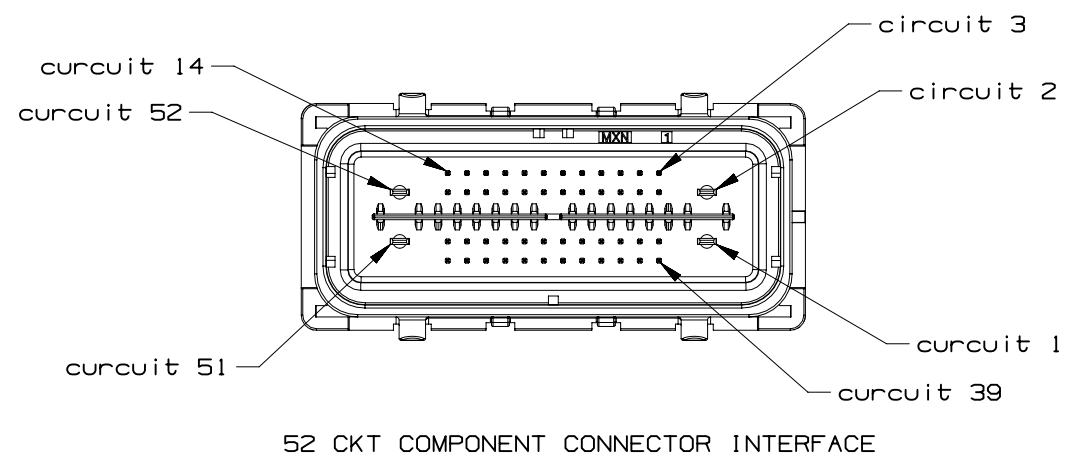
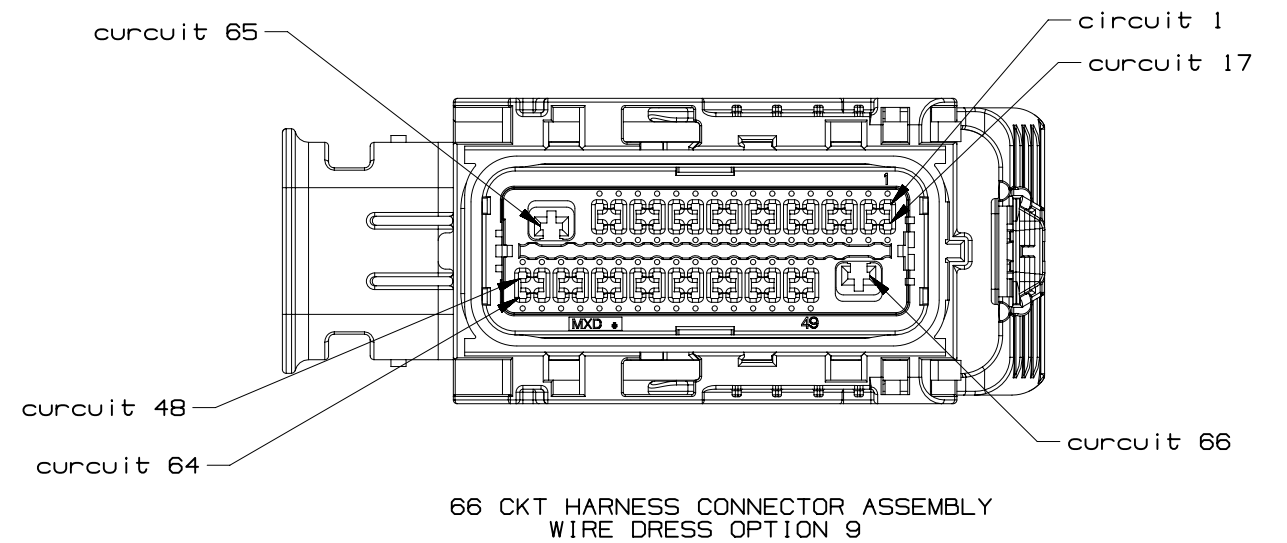
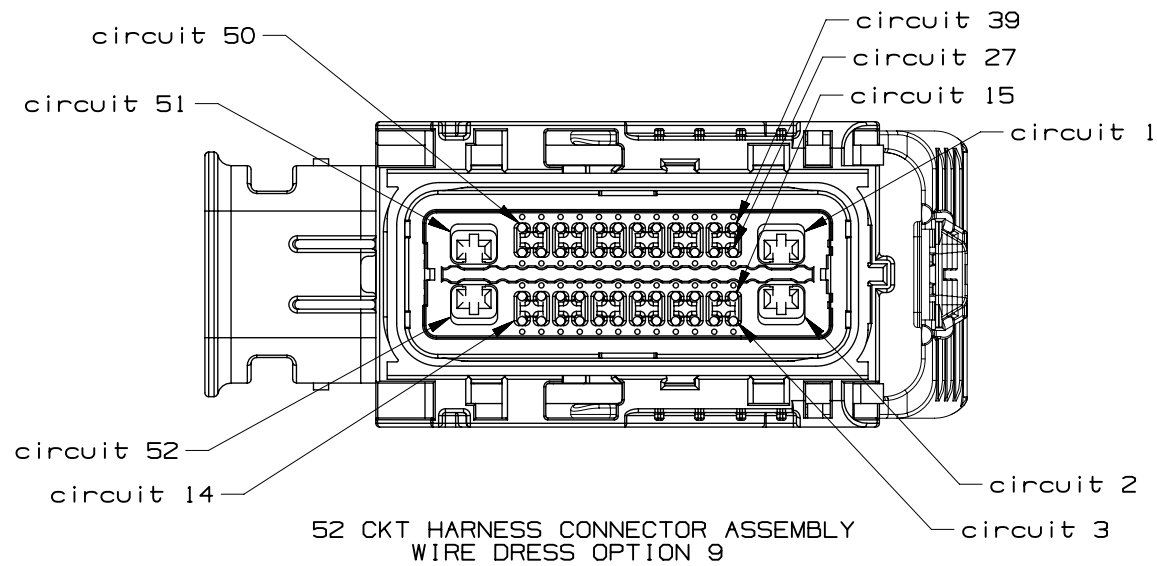
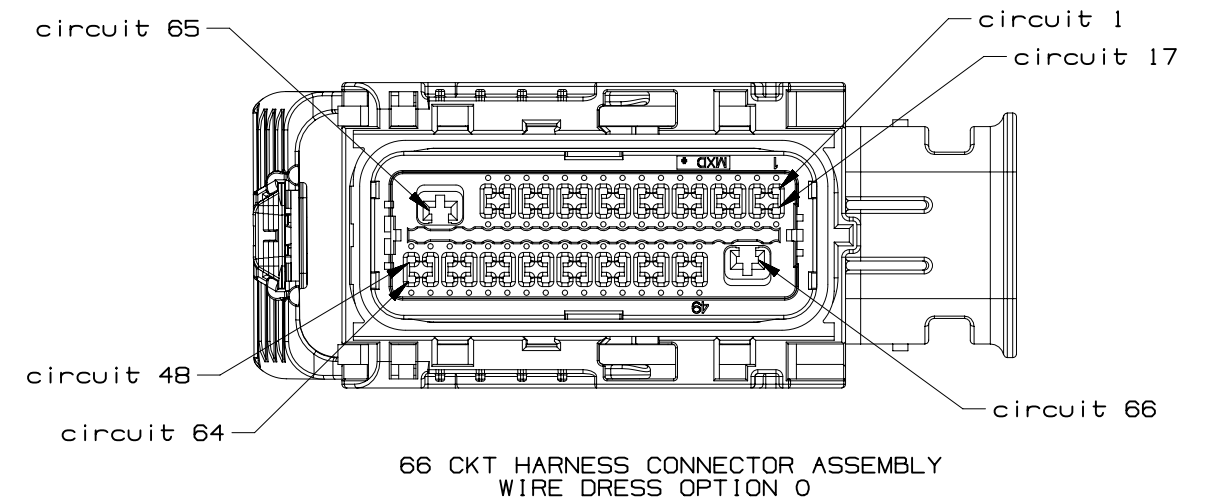
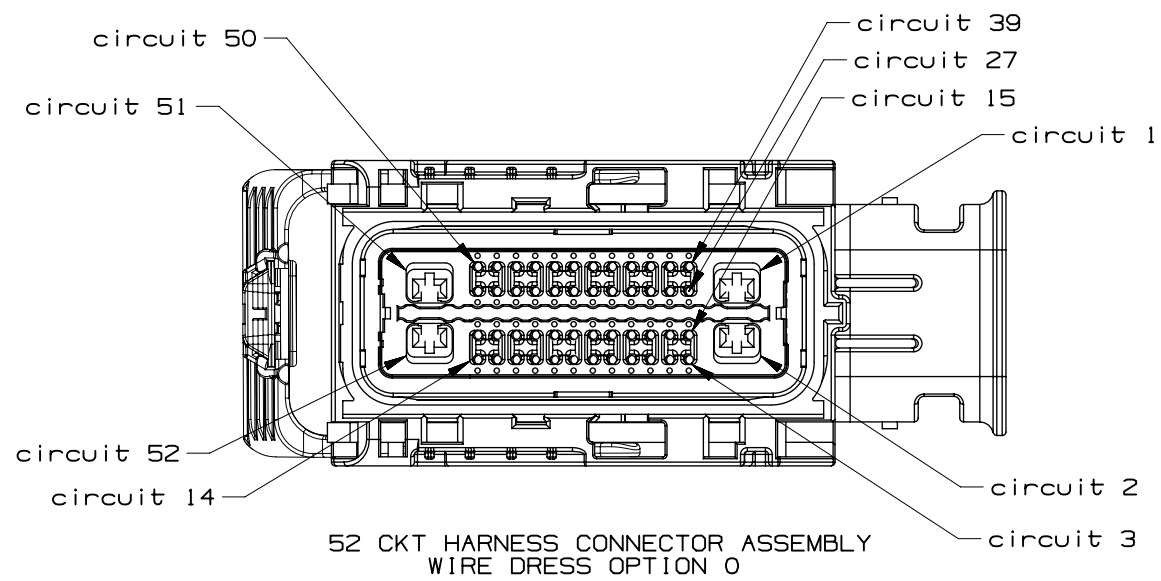


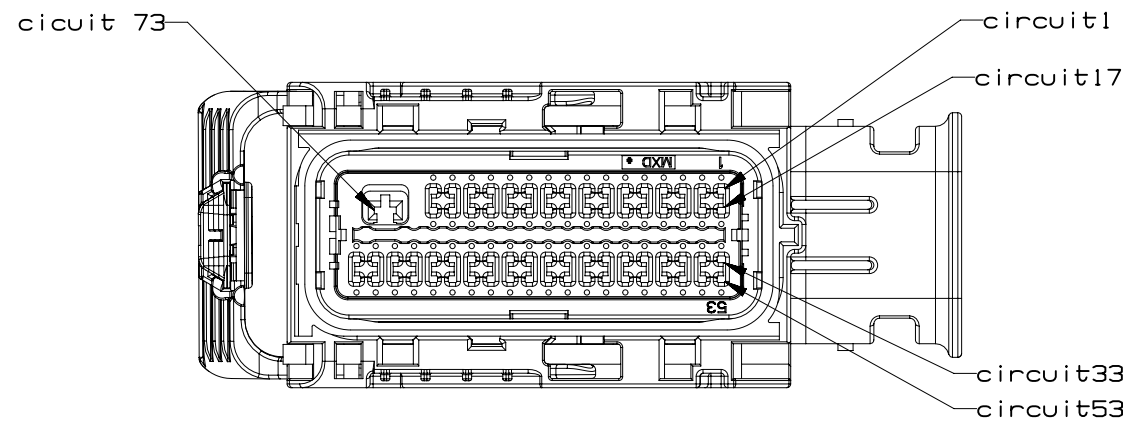
PAGE TITLE  
KEY ID REF - WIRE DRESS OPTION 9

DRAWING NUMBER  
12672833

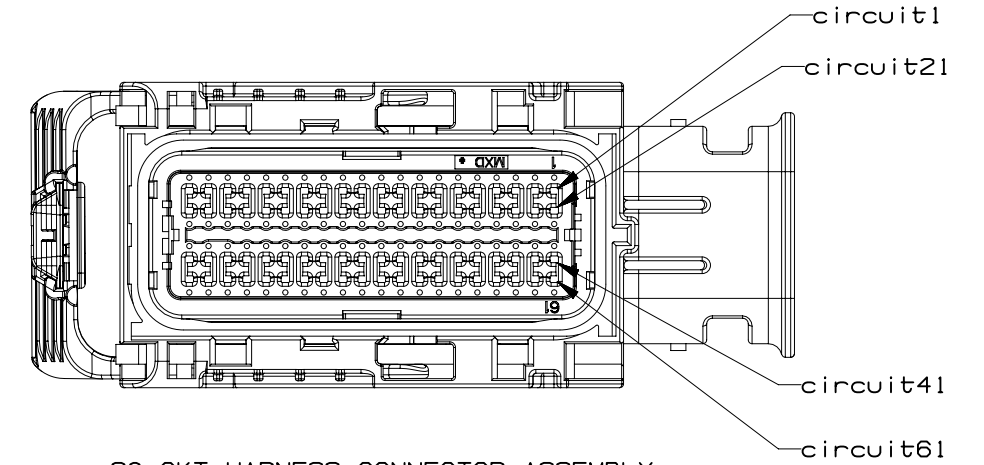
DWG STATUS		
ST	REV	PD1
R	001	

PAGE NUMBER  
12 OF 22



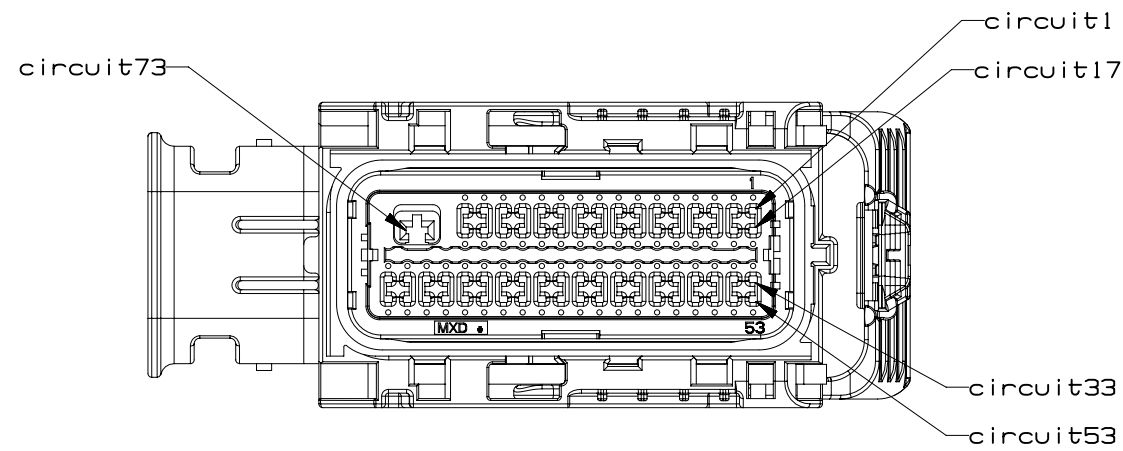


73 CKT HARNESS CONNECTOR ASSEMBLY  
WIRE DRESS OPTION 0

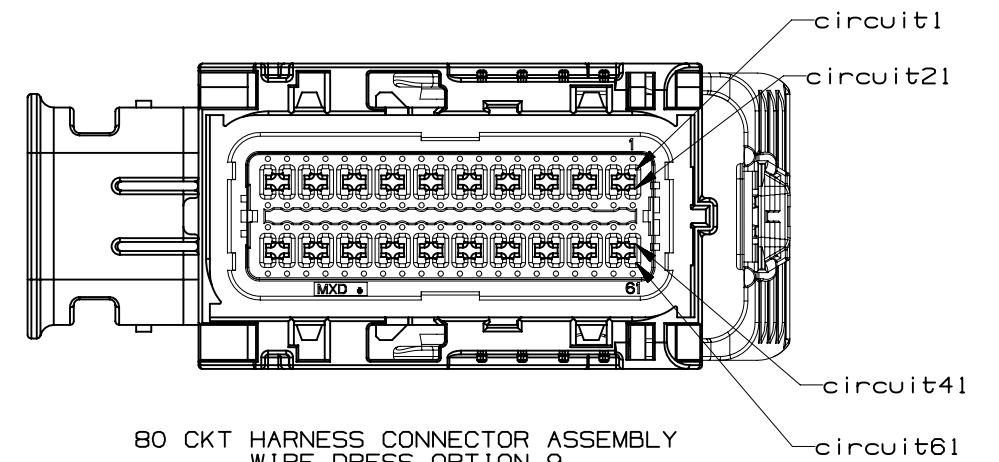


80 CKT HARNESS CONNECTOR ASSEMBLY  
WIRE DRESS OPTION 0

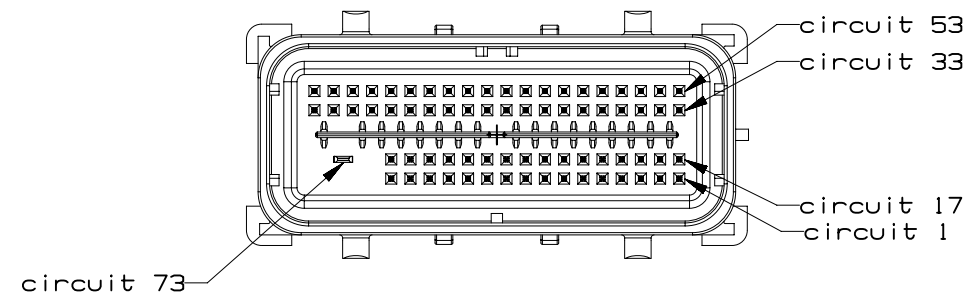
INTERFACE SIDE SHOWN ON ALL VIEWS



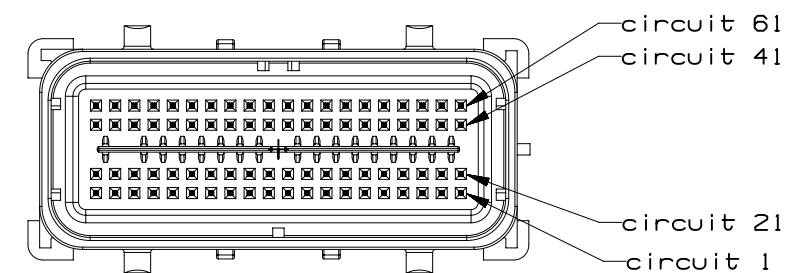
73 CKT HARNESS CONNECTOR ASSEMBLY  
WIRE DRESS OPTION 9



80 CKT HARNESS CONNECTOR ASSEMBLY  
WIRE DRESS OPTION 9



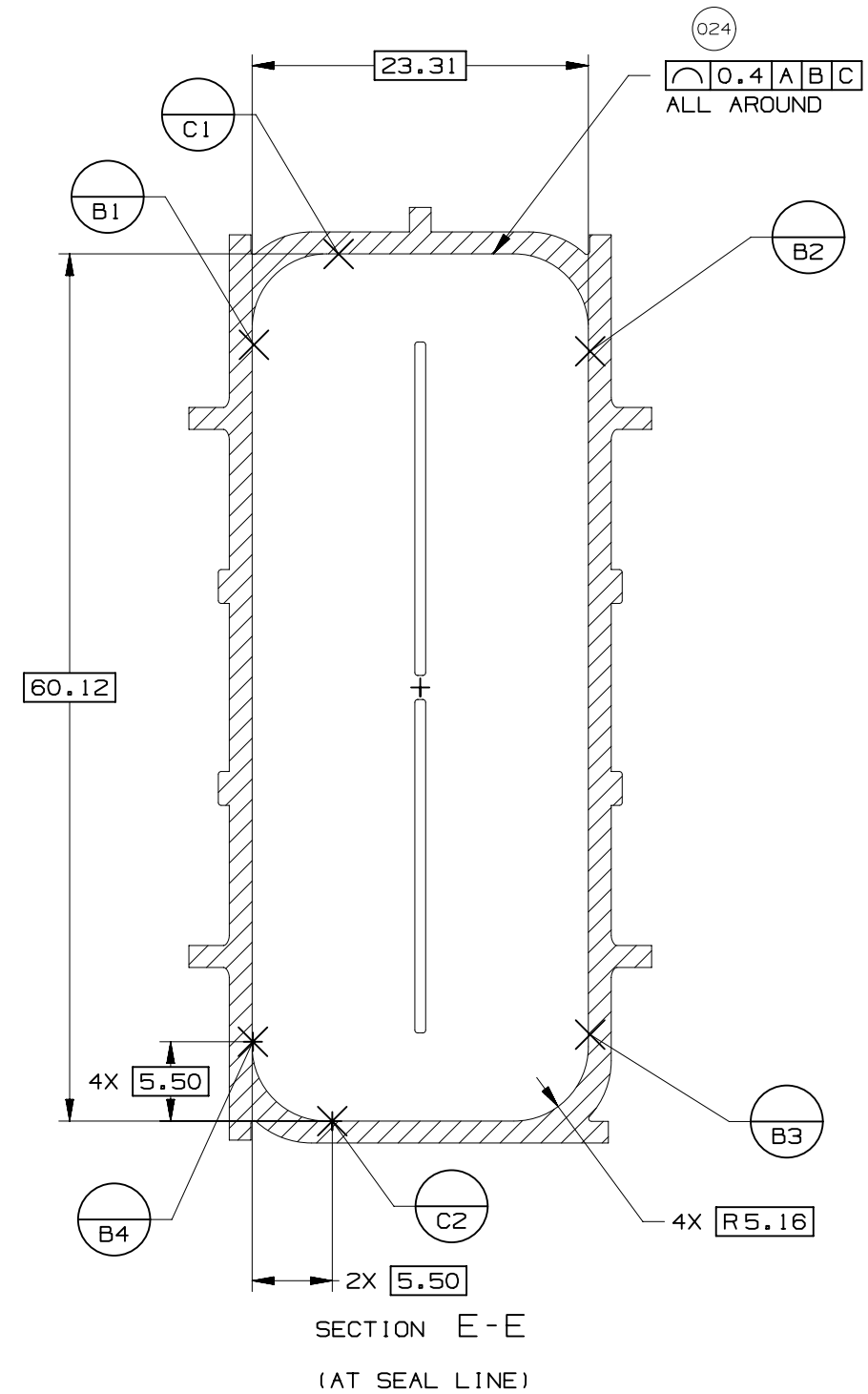
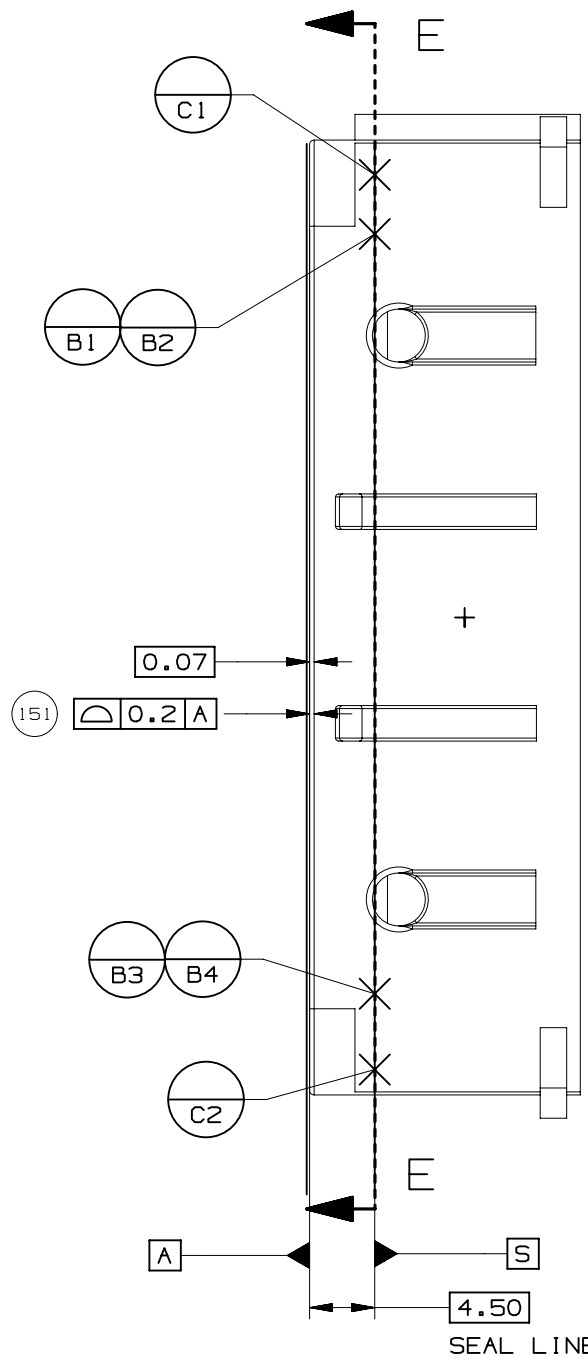
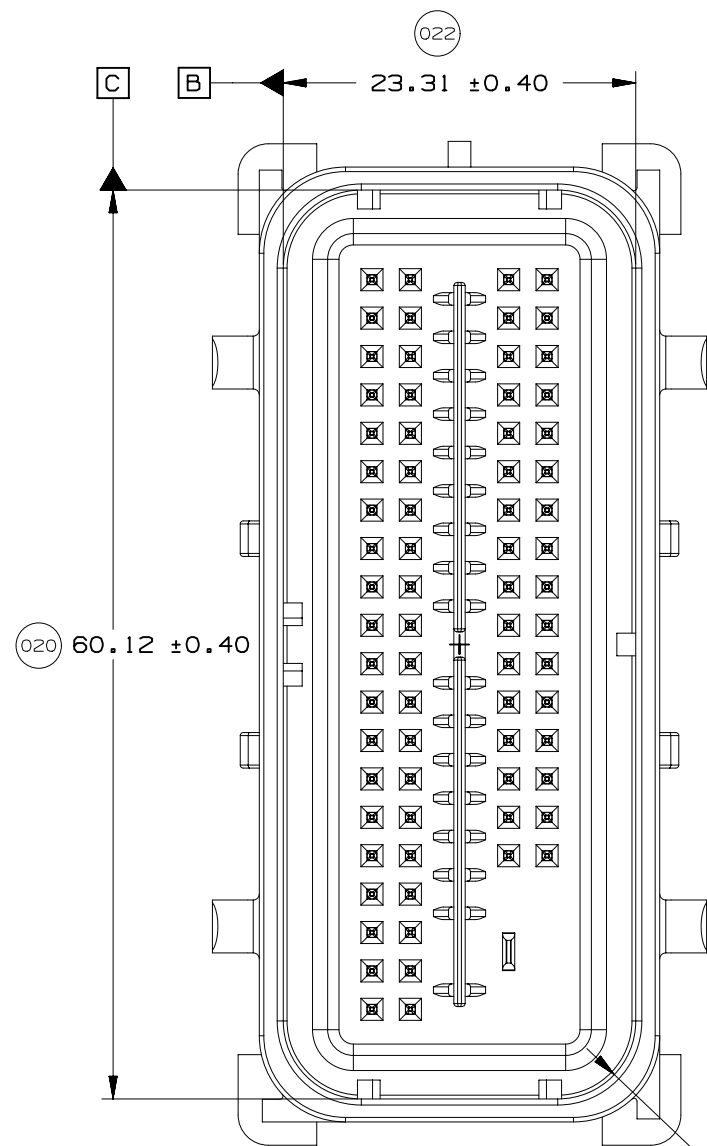
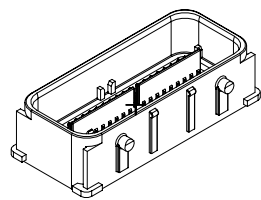
73 CKT COMPONENT CONNECTOR INTERFACE



80 CKT COMPONENT CONNECTOR INTERFACE







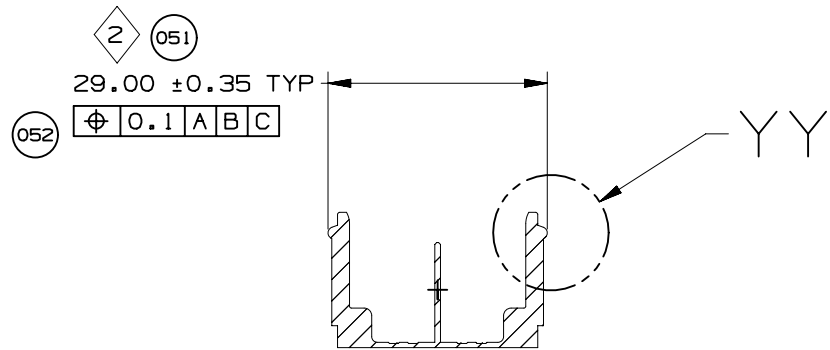
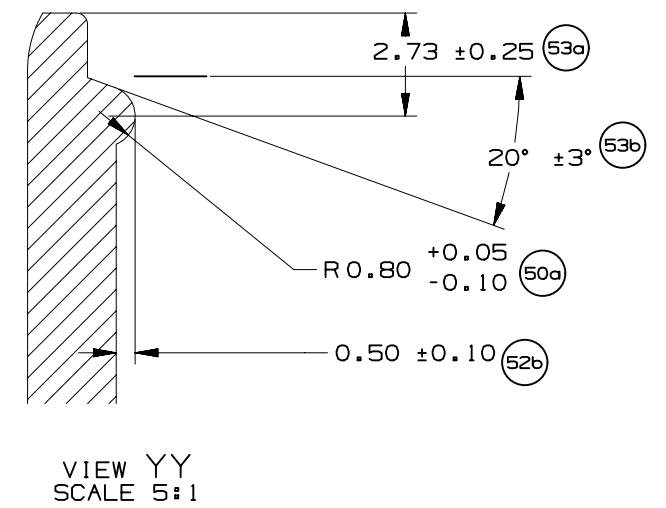
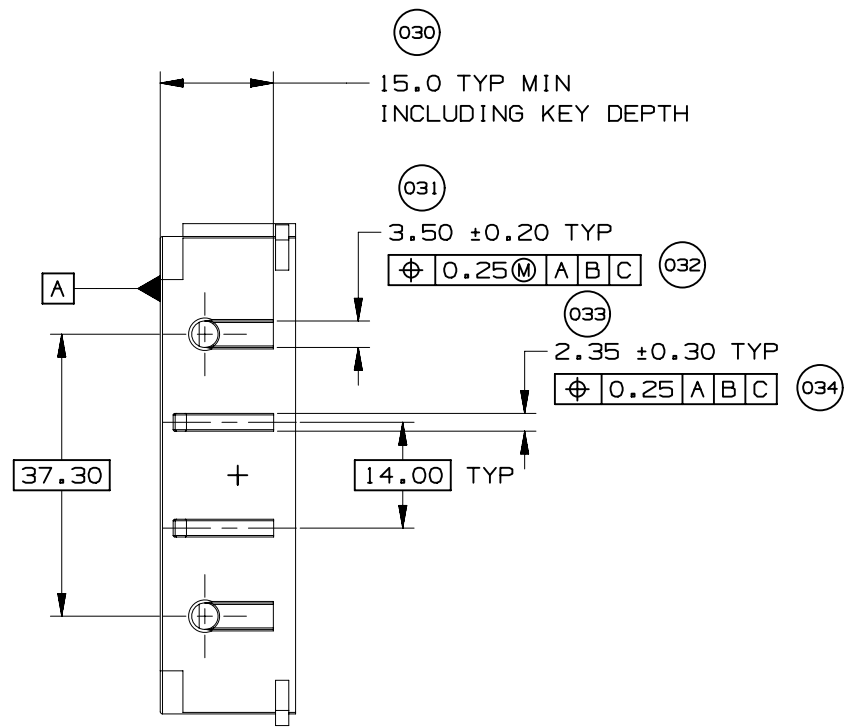
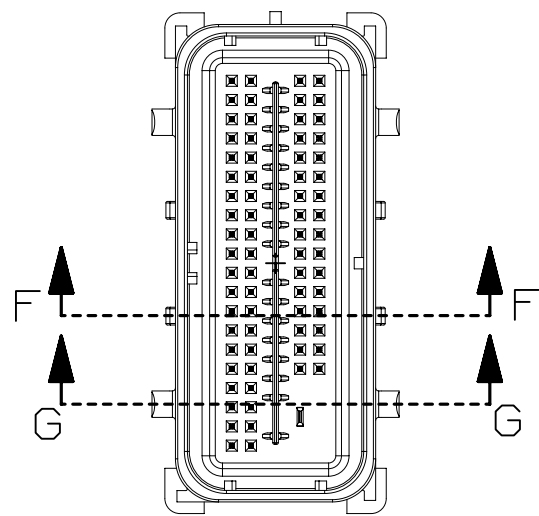
UNLESS SPECIFIED, TOLERANCE OF THE COMPONENT CONNECTOR INTERFACE TO BE 0.13 A B C



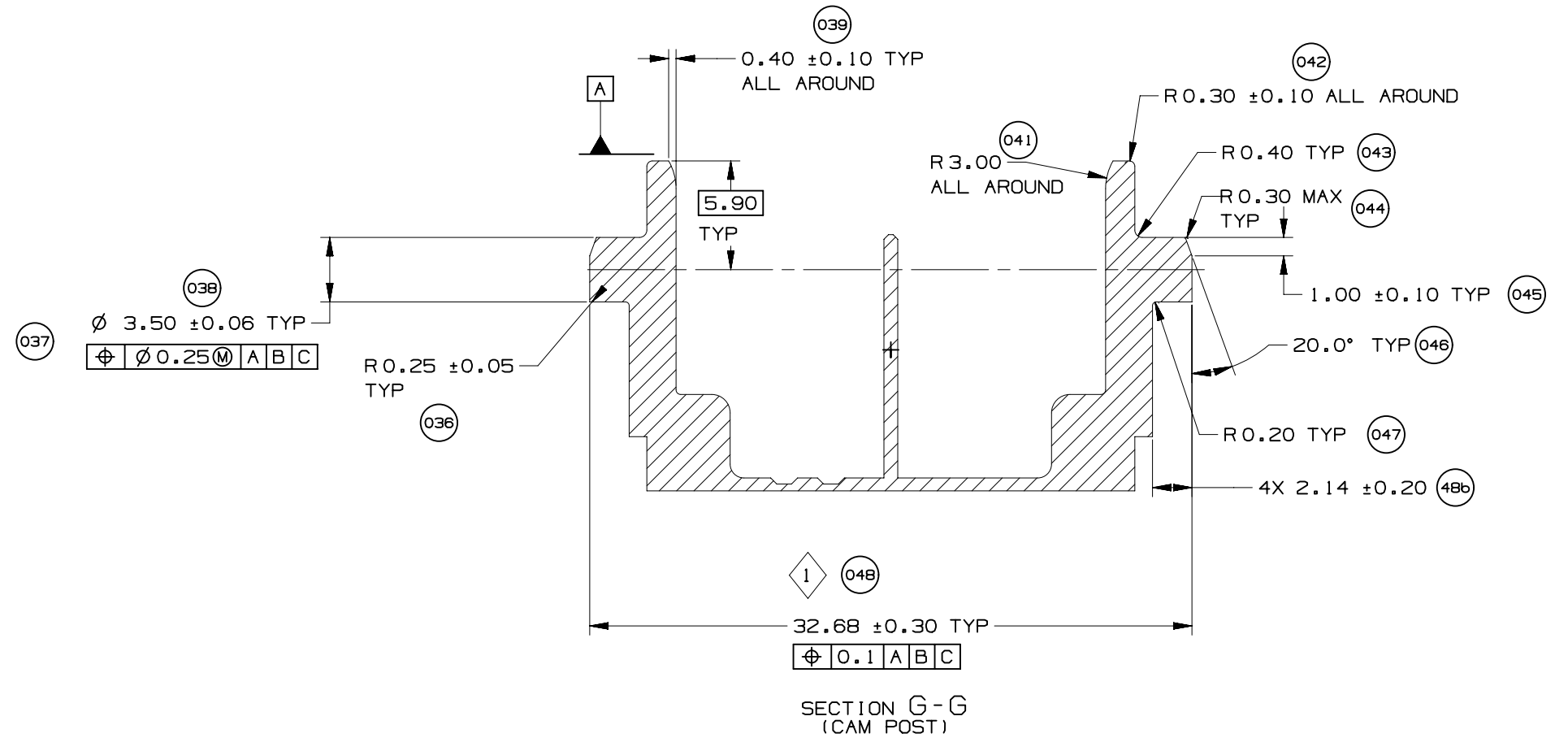
PAGE TITLE  
COMPONENT CONNECTOR INTERFACE

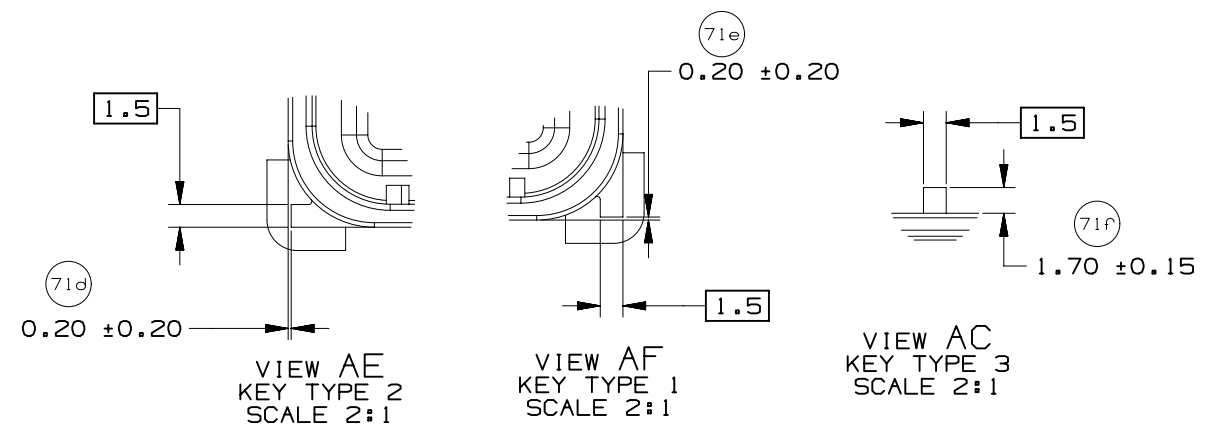
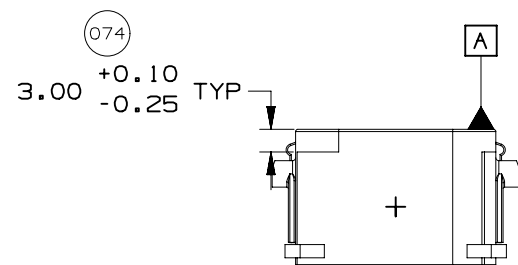
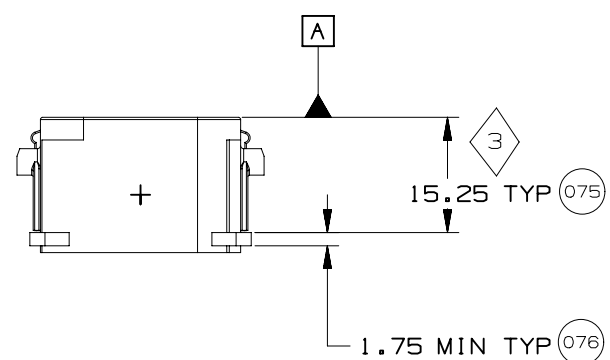
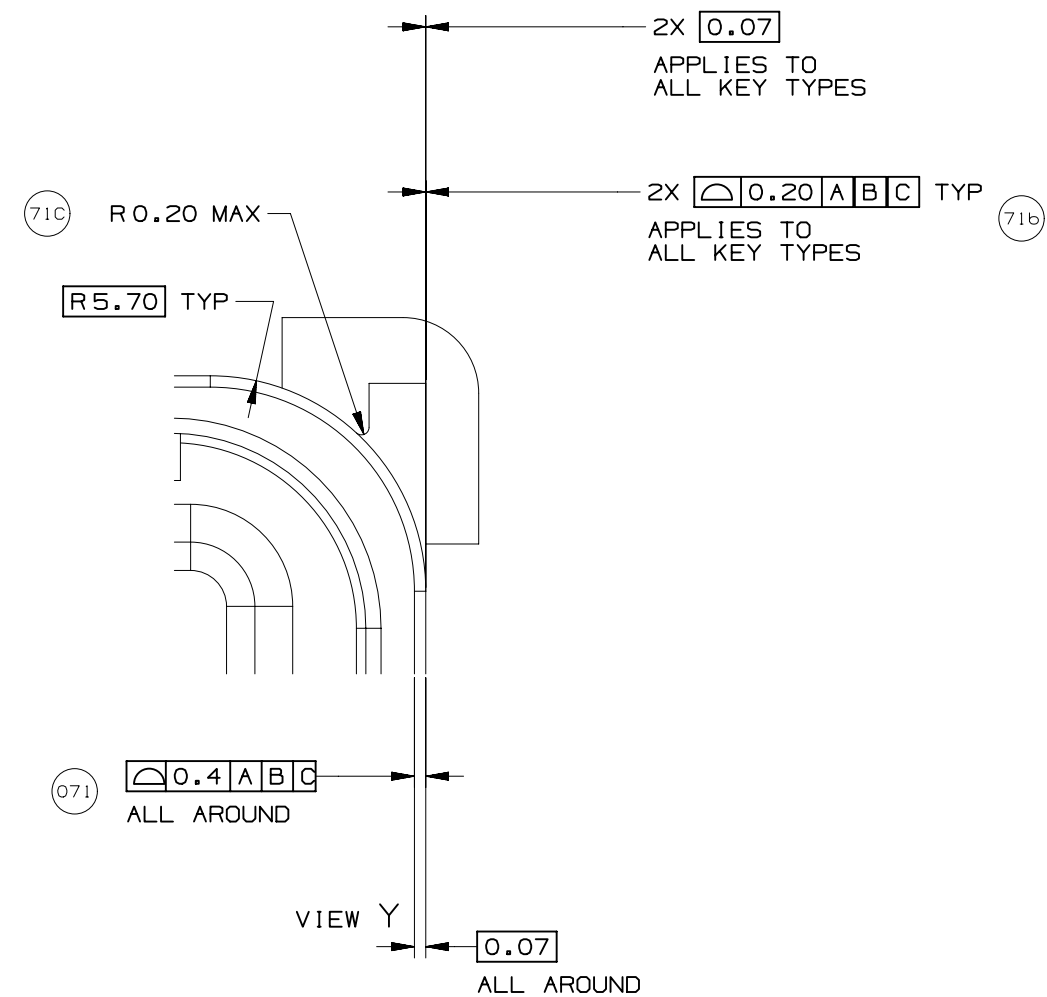
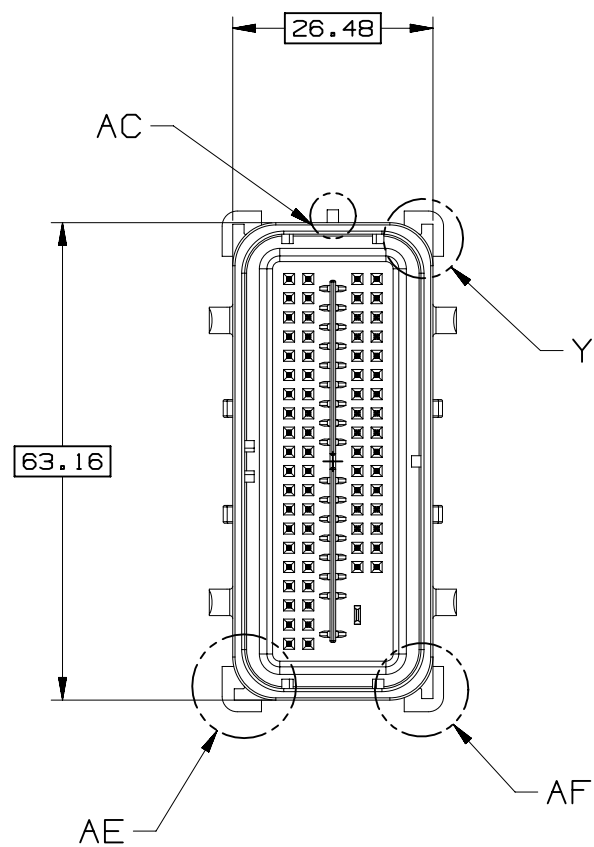
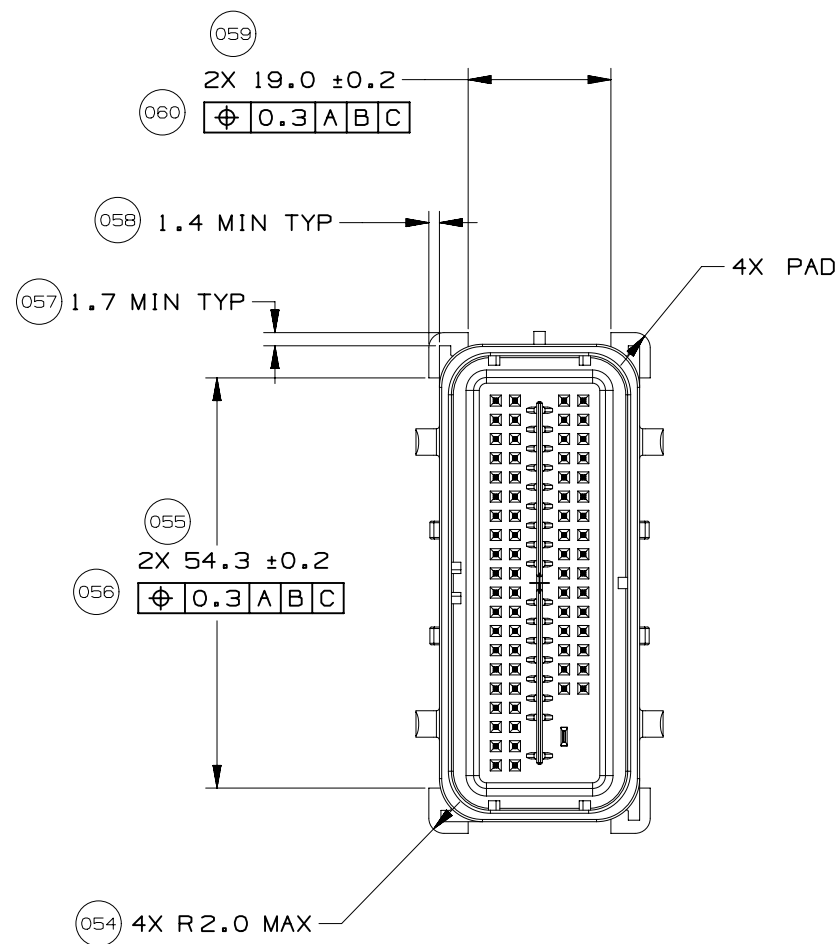
DRAWING NUMBER  
12672833

DWG STATUS			PAGE NUMBER
ST	REV	PD1	
R	001		15 OF 22



SECTION F-F  
(RELEASE FEATURE)

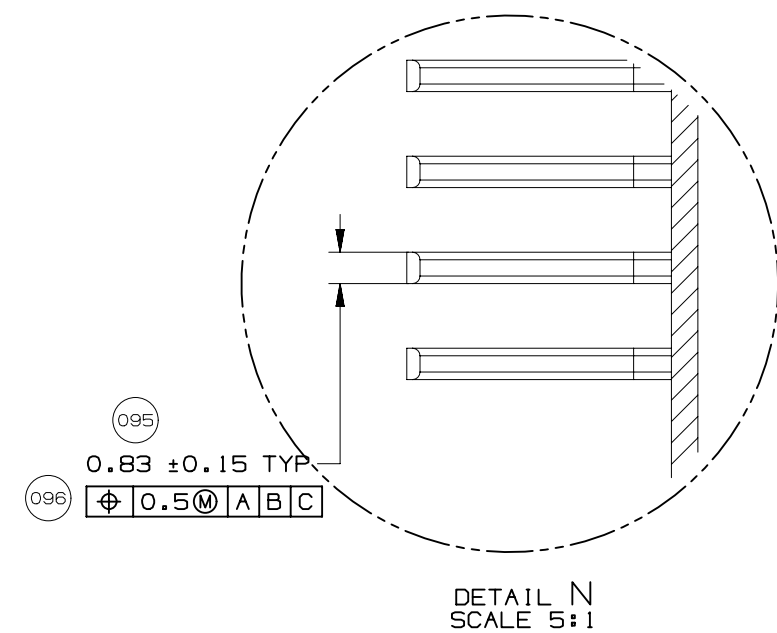
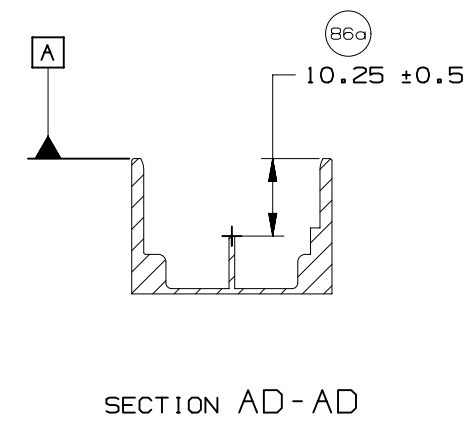
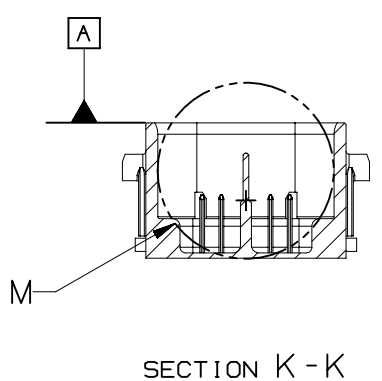
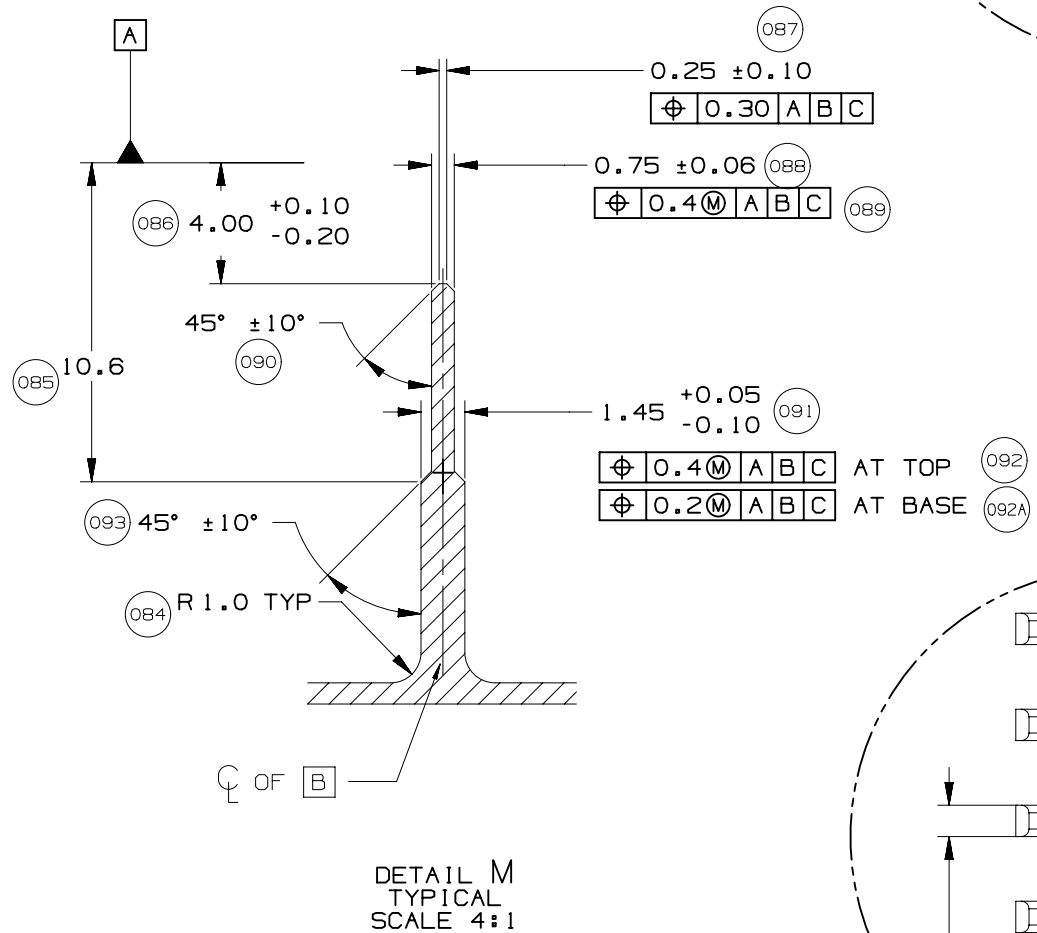
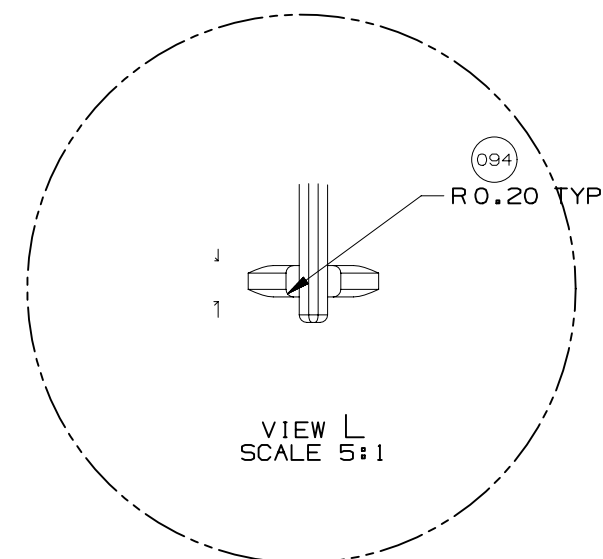
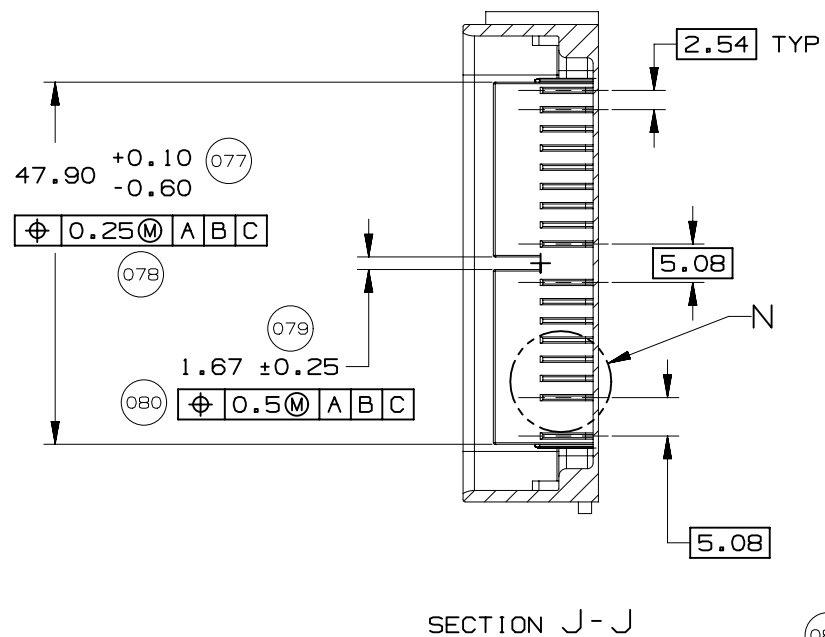
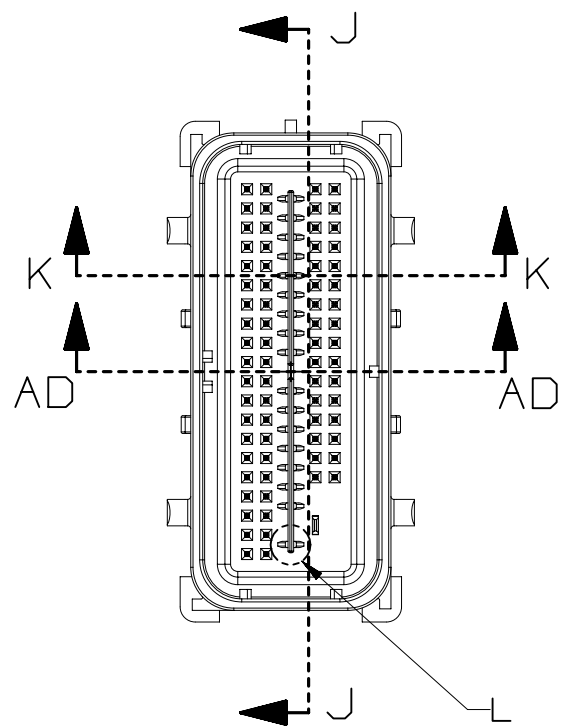


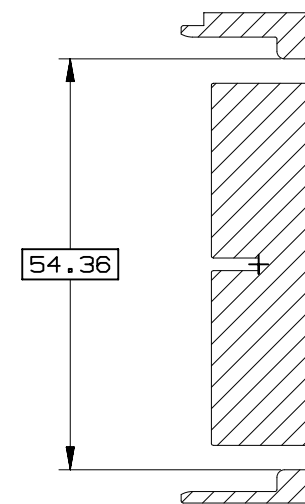
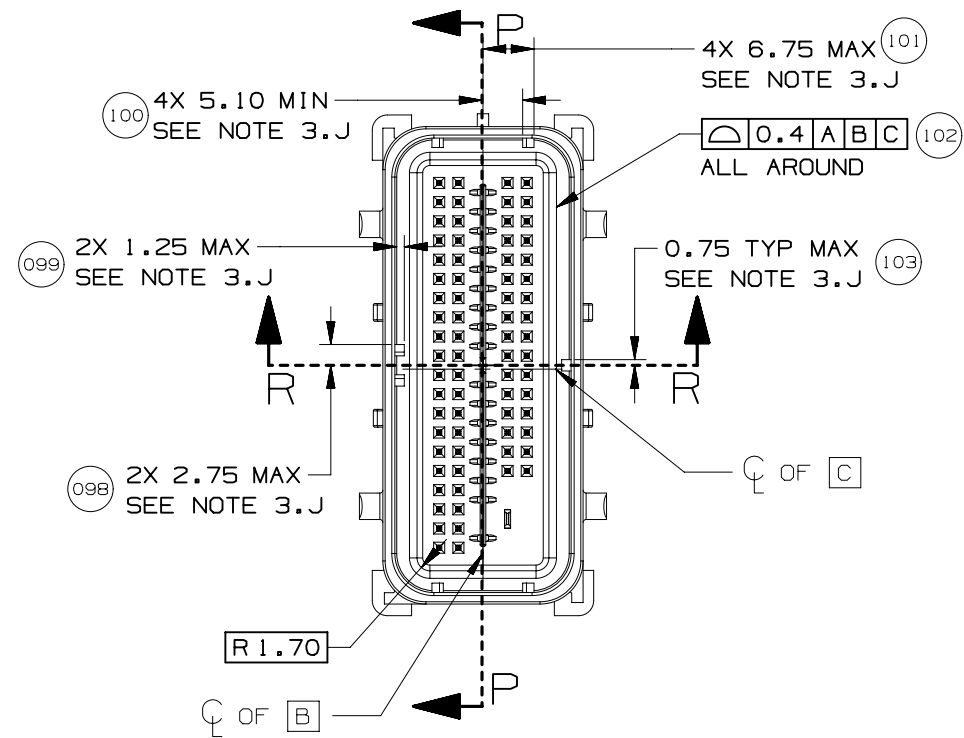


PAGE TITLE  
 COMPONENT CONNECTOR INTERFACE

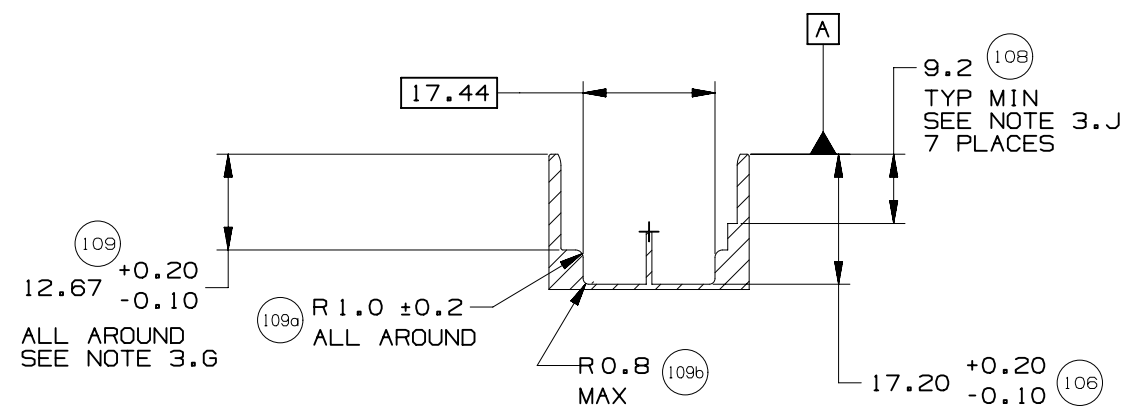
DRAWING NUMBER  
 12672833

DWG STATUS			PAGE NUMBER	
ST	REV	PD1	17	OF 22
R	001			





SECTION P-P



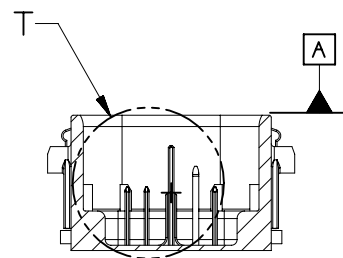
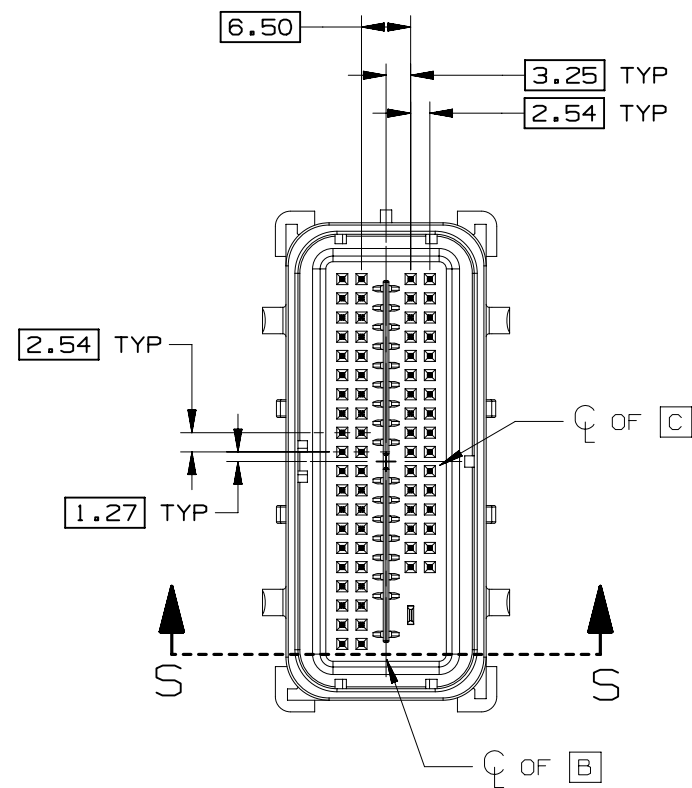
SECTION R-R



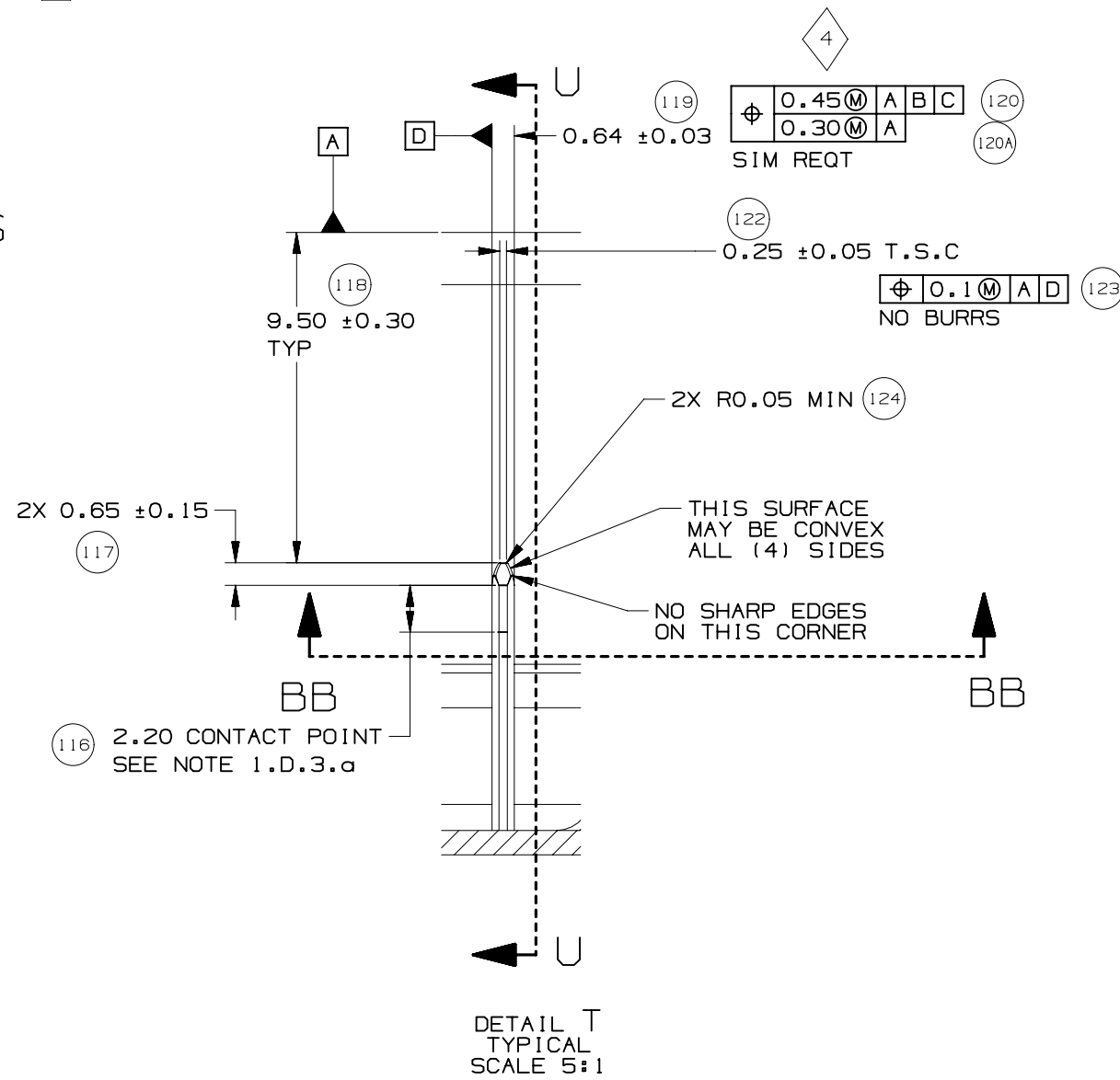
PAGE TITLE  
COMPONENT CONNECTOR INTERFACE

DRAWING NUMBER  
12672833

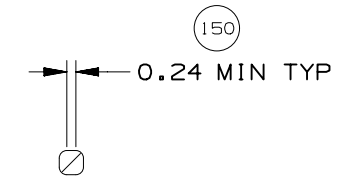
DWG STATUS			PAGE NUMBER	
ST	REV	PD1	19	OF 22
R	001			



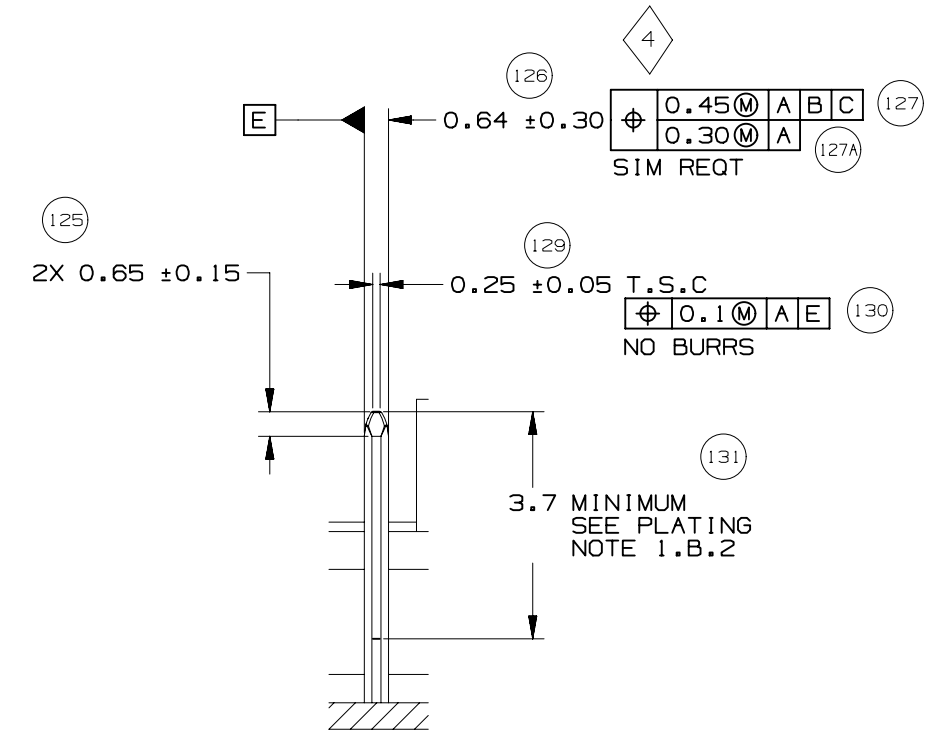
SECTION S-S



DETAIL T  
TYPICAL  
SCALE 5:1

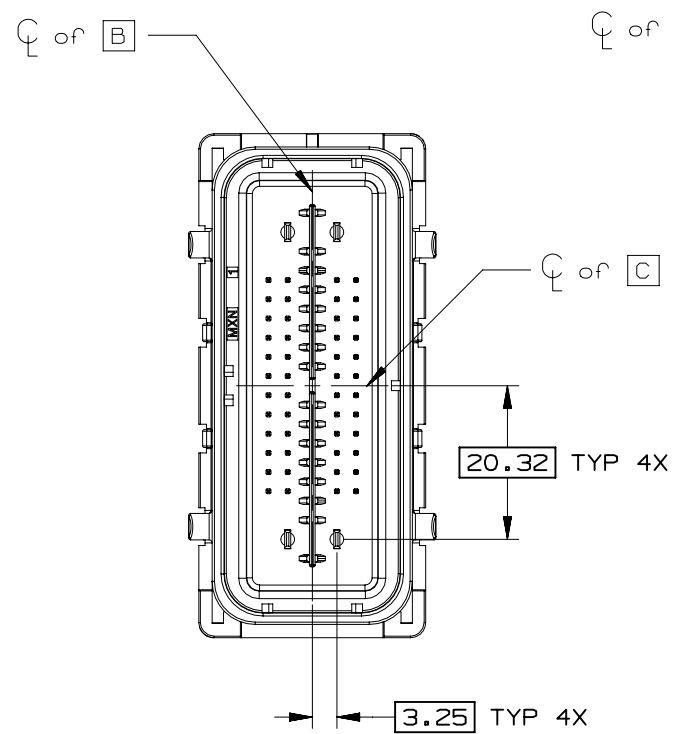


SECTION BB-BB

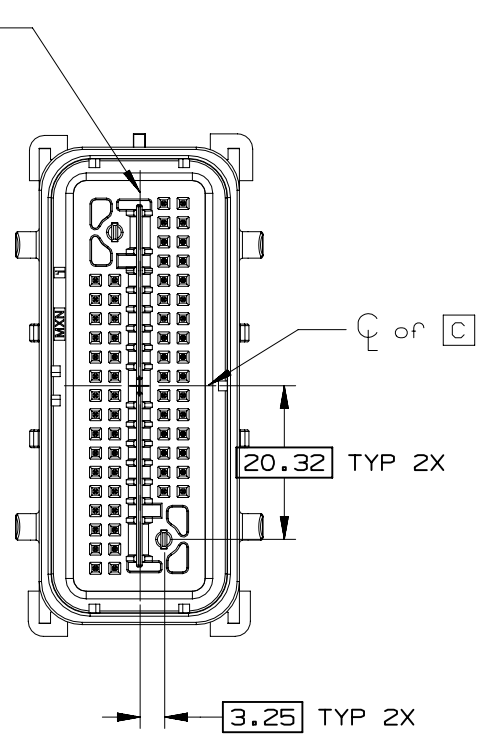


SECTION U-U  
TYPICAL

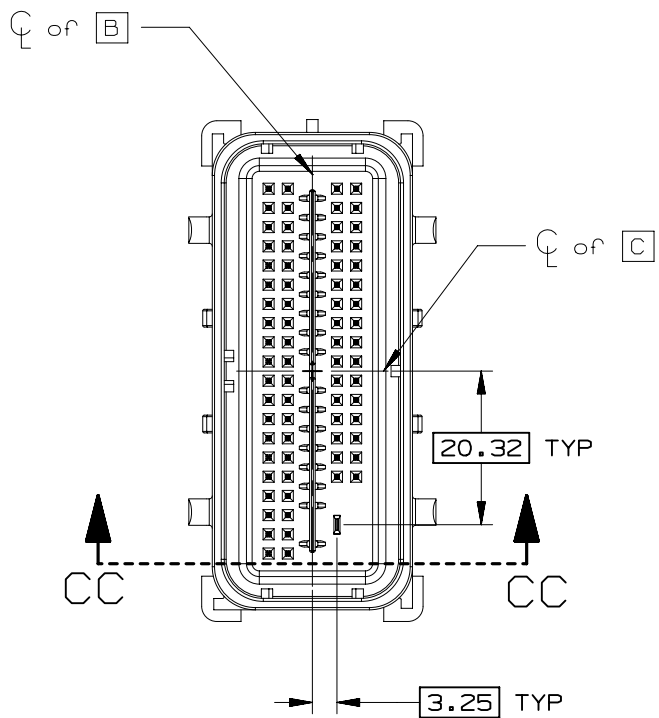




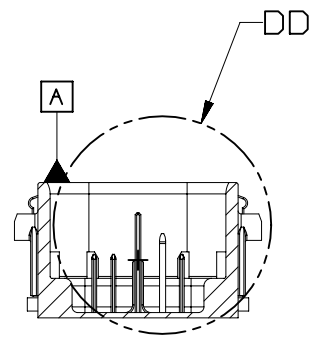
52 CKT COMPONENT  
CONNECTOR INTERFACE



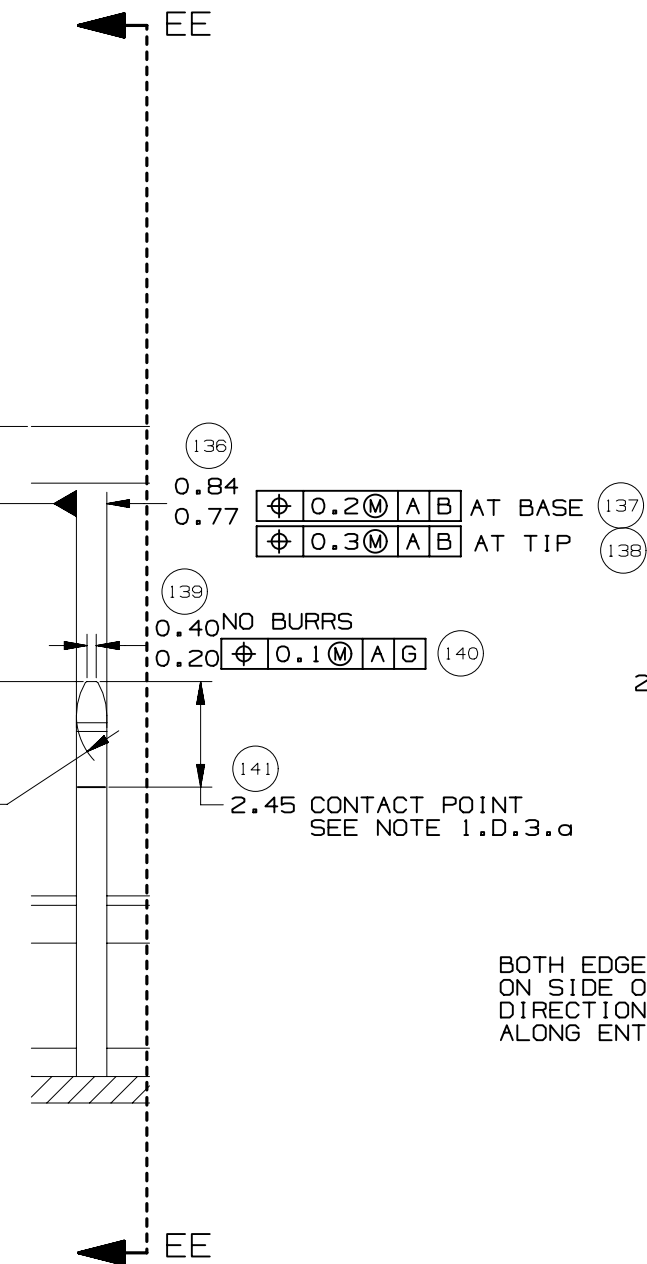
66 CKT COMPONENT  
CONNECTOR INTERFACE



73 CKT COMPONENT  
CONNECTOR INTERFACE



SECTION CC-CC



DETAIL DD  
TYPICAL  
SCALE 5:1

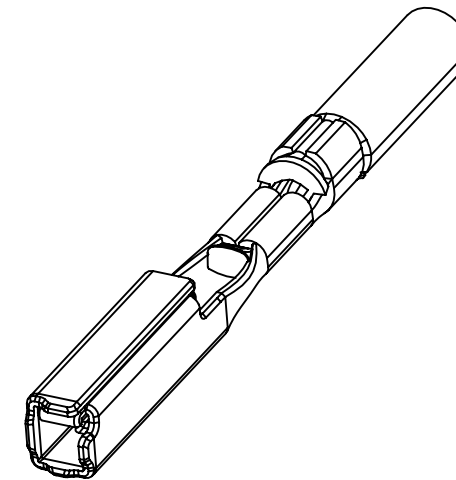
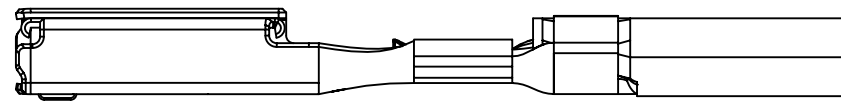
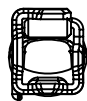
BOTH EDGES COINED  
ON SIDE OPPOSITE  
DIRECTION OF PUNCH  
ALONG ENTIRE LENGTH

SECTION EE-EE  
TYPICAL



MOLEX MX64 RECEPTACLE TERMINAL INFORMATION

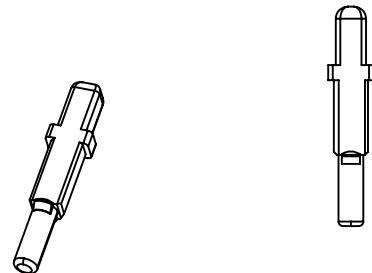
ITEM	MOLEX P/N	GM P/N	WIRE SIZE MM2	TYPE	PLATING	REEL WIND DIRECTION	COMMENTS
1	34736-0025		0.35	ISO	SILVER	LEFT	
2	34736-0026	12672850	0.35	ISO	SILVER	RIGHT	
3	34736-0027		0.5 / 0.75	ISO	SILVER	LEFT	
4	34736-0028	12672851	0.5 / 0.75	ISO	SILVER	RIGHT	



CAVITY PLUGS

ITEM	MFG	MFG P/N	GM P/N RD	SIZE	COLOR	MFG DRAWING	PROD SPEC	APP SPEC	COMMENTS
1	MOLEX	34586-0001	12674820	0.64	NATURAL	SD-34586-001	PS-34566-0000	AS-34566-001	
2	YAZAKI	7158-3114-90	12674821	2.8	BLUE	7158-3114-90	YPES-11-04-062	YPES-15-299	

ITEM 1



ITEM 2



PAGE TITLE  
ADDITIONAL COMPONENTS REQUIRED

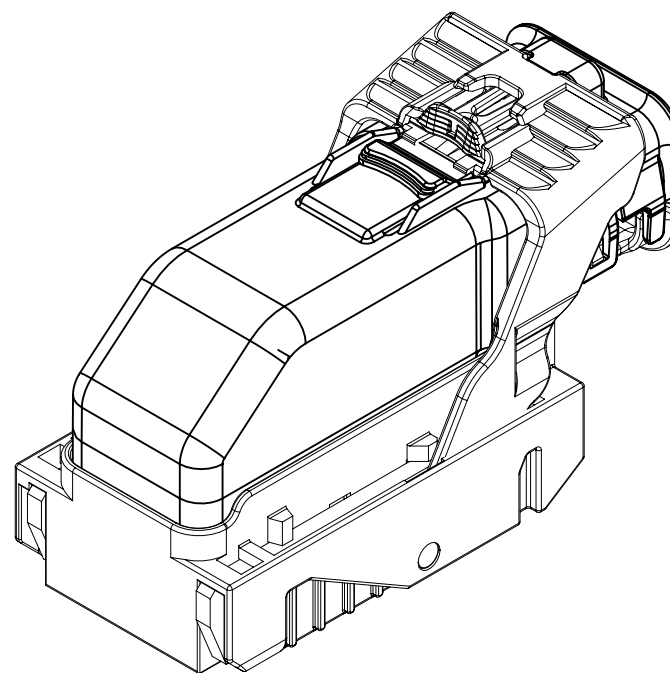
DRAWING NUMBER  
12672833

DWG STATUS		
ST	REV	PD1
R	001	


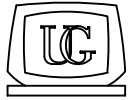
PAGE NUMBER  
22 OF 22



INDEX	
PAGE TITLE	PAGE
TITLE BLOCK	1
REVISION BLOCK	2
PART BLOCK	3
KPC BLOCK	4
COMPONENT TABLE	5
NOTES	6
NOTES	7
WIRE DRESS PACKAGING DIMENSIONS	8
LOCATION AND PACKAGING DIMENSIONS REFERENCING INTERFACE DATUMS B & C	9
LOCATION AND PACKAGING DIMENSIONS REFERENCING INTERFACE DATUM A	10
KEY ID REF - WIRE DRESS OPTION 0	11
KEY ID REF - WIRE DRESS OPTION 9	12
CIRCUIT CONFIGURATIONS	13
CIRCUIT CONFIGURATIONS	14
COMPONENT CONNECTOR INTERFACE	15
COMPONENT CONNECTOR INTERFACE	16
COMPONENT CONNECTOR INTERFACE	17
COMPONENT CONNECTOR INTERFACE	18
COMPONENT CONNECTOR INTERFACE	19
COMPONENT CONNECTOR INTERFACE	20
COMPONENT CONNECTOR INTERFACE	21
ADDITIONAL COMPONENTS REQUIRED	22




ISO VIEW

	<p><b>UNLESS OTHERWISE SPECIFIED:</b> THIS DOCUMENT IS IN ACCORDANCE WITH ASME Y14.5M-1994 AS AMMENDED BY THE GM GLOBAL DIMENSIONING AND TOLERANCING ADDENDUM-1997. ALL GEOMETRIC TOLERANCES AND RELATED DATUMS APPLY RFS. RULE #1 (PERFECT FORM AT MMC) DOES NOT APPLY WHEN A RELATIONSHIP BETWEEN FEATURES IS ESTABLISHED BY ORIENTATION OR LOCATION TOLERANCES. SEPARATE POSITION CALLOUTS MAY BE GAGED SEPARATELY REGARDLESS OF DATUM REFERENCES.</p>			DATE
	 CHANGE RESTRICTED NO MANUAL CHANGES	REFERENCE 12H (MOLEX AUTOMOTIVE)	DRAFTER APVD1	05JN15
DO NOT SCALE		APVD2		
METRIC DIMENSIONS SHOWN IN MILLIMETERS UNLESS OTHERWISE SPECIFIED		APVD3		
	DRAWING NAME	APVD4		
	HARNESS CONN ASM-SEALED 52/66/73/80 CKTS, MX123	APVD5		
	DRAWING NUMBER	DWG STATUS		
	12672833	ST	REV	
		R	001	
		PAGE NUMBER		
		1 OF 22		

PAGE	DWG STATUS					REVISION HISTORY	AUTH	DR	CK	ENG
	DATE	ST	REV	CHG	PDI					
	05JN15	R	001			RELEASED TO PRODUCTION AT DLS A	CRMRJE	DFK		

PAGE	DWG STATUS					REVISION HISTORY	AUTH	DR	CK	ENG
	DATE	ST	REV	CHG	PDI					

	PAGE TITLE	DRAWING NUMBER	DWG STATUS			PAGE NUMBER	
	REVISION BLOCK		12672833	ST	REV	PDI	2 OF 22
				R	001		



KEY PRODUCT CHARACTERISTICS  
(IN ACCORDANCE WITH QN 1805 OR ON 1050)



SAFETY/COMPLIANCE

TOTAL ON  
DRAWING

4



FIT/FUNCTION

LAST NO.  
USED

4

NO	TYPE	DESCRIPTION	RATIONALE	PAGE/ZONE
1	F/F	32.68	IMPROVE CONNECTOR SYSTEM MATING	16
2	F/F	29.00	INSURE PROPER RELEASE OF LEVER	16
3	F/F	15.25	INSURE FINAL MATE POSITION	17
4	F/F	POSITIONAL TOLERANCE (2 PLACES)	INSURE CONNECTOR SYSTEM MATEABILITY	20



PAGE TITLE  
KPC BLOCK

DRAWING NUMBER

12672833

DWG STATUS

ST	REV	PDI
----	-----	-----

R	001	
---	-----	--

PAGE NUMBER

4 OF 22

LINE	MFG.	MFG. P/N	GM P/N	EFFECTIVE DATE	APPLICABLE COMPONENTS	KEY OPTION	WIRE DRESS OPTION	KEY CONFIG.	COLOR	STATUS
					DESCRIPTION					
-										
1	MOLEX	34565-0003	12582676	02JN03	MX123 DRESS COVER 52/66/73/80 CKT	N/A	N/A	N/A	BLACK	AVAILABLE
2	MOLEX	160094-0001	12672852	01SP13	MX123 HRNS CONN ASSY 52 CKT	A	0	1458	BLACK	AVAILABLE
3	MOLEX	160094-0003	12672854	01SP13	MX123 HRNS CONN ASSY 52 CKT	C	0	2467	BLUE	AVAILABLE
4	MOLEX	160094-0013	12672853	01SP13	MX123 HRNS CONN ASSY 52 CKT	A	9	1458	BLACK	AVAILABLE
5	MOLEX	160094-0015	12672855	01SP13	MX123 HRNS CONN ASSY 52 CKT	C	9	2467	BLUE	AVAILABLE
6	MOLEX	34822-0013	12672856	01SP13	MX123 HRNS CONN ASSY 66 CKT	A	0	1458	BLACK	AVAILABLE
7	MOLEX	34822-0033	12672858	01SP13	MX123 HRNS CONN ASSY 66 CKT	C	0	2467	BLUE	AVAILABLE
8	MOLEX	34822-0023	12672857	01SP13	MX123 HRNS CONN ASSY 66 CKT	A	9	1458	BLACK	AVAILABLE
9	MOLEX	34822-0043	12672859	01SP13	MX123 HRNS CONN ASSY 66 CKT	C	9	2467	BLUE	AVAILABLE
10	MOLEX	34566-0103	12672860	11JN04	MX123 HRNS CONN ASSY 73 CKT	A	0	1458	BLACK	AVAILABLE
11	MOLEX	34566-0203	12672862	11JN04	MX123 HRNS CONN ASSY 73 CKT	B	0	1468	ST GRAY	AVAILABLE
12	MOLEX	34566-0303	12672864	09AP08	MX123 HRNS CONN ASSY 73 CKT	C	0	2467	BLUE	AVAILABLE
13	MOLEX	34566-0603	12672866	05DC14	MX123 HRNS CONN ASSY 73 CKT	F	0	1357	NATURAL	AVAILABLE
14	MOLEX	34566-1303	12672861	11JN04	MX123 HRNS CONN ASSY 73 CKT	A	9	1458	BLACK	AVAILABLE
15	MOLEX	34566-1403	12672863	11JN04	MX123 HRNS CONN ASSY 73 CKT	B	9	1468	ST GRAY	AVAILABLE
16	MOLEX	34566-1503	12672865	09AP08	MX123 HRNS CONN ASSY 73 CKT	C	9	2467	BLUE	AVAILABLE
17	MOLEX	34566-1803	12672867	05DC14	MX123 HRNS CONN ASSY 73 CKT	F	9	1357	NATURAL	AVAILABLE
18	MOLEX	34566-0703	12672872	09AP08	MX123 HRNS CONN ASSY 80 CKT	G	0	1358	BLUE	AVAILABLE
19	MOLEX	34566-0803	12672870	11JN04	MX123 HRNS CONN ASSY 80 CKT	H	0	2458	ST GRAY	AVAILABLE
20	MOLEX	34566-0903	12672868	T.B.D	MX123 HRNS CONN ASSY 80 CKT	J	0	2457	BLACK	NOT ACTIVE
21	MOLEX	34566-1903	12672873	09AP08	MX123 HRNS CONN ASSY 80 CKT	G	9	1358	BLUE	AVAILABLE
22	MOLEX	34566-2003	12672871	11JN04	MX123 HRNS CONN ASSY 80 CKT	H	9	2458	ST GRAY	AVAILABLE
23	MOLEX	34566-2103	12672869	T.B.D	MX123 HRNS CONN ASSY 80 CKT	J	9	2457	BLACK	NOT ACTIVE
24	MOLEX	34736-0028	12672851	01AU10	MX64 RCPT TERM Ag 0.5mm/0.75mm ISO GAGE B (RIGHT PAYOFF)	N/A	N/A	N/A	N/A	AVAILABLE
25	MOLEX	34736-0026	12672850	01AU10	MX64 RCPT TERM Ag 0.35mm ISO GAGE B (RIGHT PAYOFF)	N/A	N/A	N/A	N/A	AVAILABLE
26	MOLEX	34586-0001	12674820	11JN04	MX123 0.64mm GROMMET PLUG	N/A	N/A	N/A	NATURAL	AVAILABLE
27	YAZAKI	7116-4150-02	12588066	02JN03	2.8mm YESC SEALED FEMALE TERMINAL TIN 0.35mm2-0.50mm2	N/A	N/A	N/A	N/A	NOT ACTIVE
28	YAZAKI	7116-4151-02	12588067	02JN03	2.8mm YESC SEALED FEMALE TERMINAL TIN 0.75mm2-1.0mm2	N/A	N/A	N/A	N/A	NOT ACTIVE
29	YAZAKI	7116-4152-02	12582685	02JN03	2.8mm YESC SEALED FEMALE TERMINAL TIN 1.5mm2-2.5mm2	N/A	N/A	N/A	N/A	AVAILABLE
30	YAZAKI	7158-3111-60	12588068	02JN03	2.8mm CABLE SEAL (wire O.D. range 1.2mm-1.9mm)	N/A	N/A	N/A	GREEN	NOT ACTIVE
31	YAZAKI	7158-3112-70	12588069	02JN03	2.8mm CABLE SEAL (wire O.D. range 1.8mm-2.3mm)	N/A	N/A	N/A	YELLOW	NOT ACTIVE
32	YAZAKI	7158-3113-40	12582686	02JN03	2.8mm CABLE SEAL (wire O.D. range 2.1mm-3.0mm)	N/A	N/A	N/A	WHITE	AVAILABLE
33	YAZAKI	7158-3114-90	12674821	02JN03	2.8mm YESC CAVITY PLUG	N/A	N/A	N/A	BLUE	AVAILABLE
34	MOLEX	63825-8400	N/A	02JN03	MX64 TERM HAND CRIMP TOOL	N/A	N/A	N/A	N/A	AVAILABLE
35	MOLEX	63813-1400	XX019826	02JN03	MX64 TERM SERVICE TOOL	N/A	N/A	N/A	N/A	AVAILABLE
36	MOLEX	63902-5300	N/A	02JN03	MX64 CRIMP APPLICATOR with TOOL KIT 0.5/0.75mm2 PAYOFF DIRECTION D (left payoff) (contact Molex for payoff detail)	N/A	N/A	N/A	N/A	AVAILABLE
37	MOLEX	63902-5370	N/A	02JN03	MX64 APPLICATOR TOOL KIT 0.5/0.75mm2	N/A	N/A	N/A	N/A	AVAILABLE
38	MOLEX	63902-5100	N/A	02JN03	MX64 CRIMP APPLICATOR with TOOL KIT 0.35mm2 PAYOFF DIRECTION D (left payoff) (contact Molex for payoff detail)	N/A	N/A	N/A	N/A	AVAILABLE
39	MOLEX	63902-5170	N/A	02JN03	MX64 APPLICATOR TOOL KIT 0.35mm2	N/A	N/A	N/A	N/A	AVAILABLE
40	SPX	J35616-64	T.B.D.	02JN03	0.64mm PROBE TOOL (for rcpt)	N/A	N/A	N/A	N/A	AVAILABLE
41	SPX	J35616-64A	T.B.D.	02JN03	0.64mm PROBE TOOL WITH EXT (for rcpt)	N/A	N/A	N/A	N/A	AVAILABLE
42	SPX	J35616-65	T.B.D.	02JN03	0.64mm PROBE TOOL WITH EXT (for pin)	N/A	N/A	N/A	N/A	AVAILABLE
43	SPX	J35616-4A	T.B.D.	02JN03	2.8mm PROBE TOOL (for rcpt)	N/A	N/A	N/A	N/A	AVAILABLE
44	YAZAKI	X39899-J374	12094430	02JN03	2.8mm TERM SERVICE TOOL	N/A	N/A	N/A	N/A	AVAILABLE
45	TQI	7000-1006	N/A	15JN15	52 CKT PASS THROUGH ADAPTERS	N/A	N/A	N/A	BLACK	AVAILABLE
46	TQI	7000-1002	N/A	15JN15	66 CKT PASS THROUGH ADAPTERS	N/A	N/A	N/A	BLACK	AVAILABLE
47	TQI	79917-0061	N/A	15JN15	73 CKT PASS THROUGH ADAPTERS	N/A	N/A	N/A	BLACK	AVAILABLE
48	TQI	79917-0066	N/A	15JN15	80 CKT PASS THROUGH ADAPTERS	N/A	N/A	N/A	BLACK	AVAILABLE

\* - MX123 DRESS COVER 52/66/73/80 CKT MATES TO ANY MX123 HARN CONN ASSY SHOWN ON TABLE ABOVE



PAGE TITLE  
COMPONENT TABLE

DRAWING NUMBER

12672833

DWG STATUS

ST	REV	PD1
R	001	

PAGE NUMBER

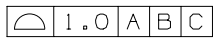
5 OF 22

NOTES: UNLESS OTHERWISE SPECIFIED

1. MATERIAL FOR INTERFACE:


- A. RESIN:
  - 1. 30% G.F. PBT; 20% MAX. (BY WEIGHT) REGRIND.
  - 2. MATING CONNECTOR INTERFACE PART COLOR MUST BE SAME AS MATCHING KEYED HARNESS CONNECTOR ASSEMBLY.
  - 3. MUST BE VALIDATED FOR INDIVIDUAL DEVICE APPLICATION REQUIREMENTS.
- B. 0.64MM PINS:
  - 1. BASE MATERIAL: COPPER ALLOY; CONDUCTIVITY >= 28% IACS AT 20°C; TENSILE STRENGTH >= 635 N/mm<sup>2</sup>; SURFACE ROUGHNESS R<sub>a</sub> 6 MAX.
  - 2. PLATING FINISH: SILVER (Ag). PLATING TO BE 1.9-3.3 μm ELECTRODEPOSITED SEMI-BRIGHT SILVER OVER 1.25-2.25 μm DUCTILE SULPHAMATE NICKEL PER NOTE 1(D).
  - 3. ANTI-TARNISH: SYNTHETIC HYDROCARBON CONTACT SURFACE FINISH OR EQUIVALENT APPLIED WITHOUT VOID TO CONTACT AREA (MIN 3.7mm FROM PIN TIP).
- C. 2.8MM BLADE:
  - 1. BASE MATERIAL: COPPER ALLOY; CONDUCTIVITY >= 28% IACS AT 20°C; TENSILE STRENGTH >= 350 N/mm<sup>2</sup>; SURFACE ROUGHNESS R<sub>a</sub> 6 MAX.
  - 2. PLATING FINISH: TIN. PLATING TO BE 2.5-5.0 μm ELECTRODEPOSITED TIN, MATTE FINISH OVER 1.25-2.5 μm DUCTILE SULPHAMATE NICKEL PER NOTE 1(D).
- D. PLATING REQUIREMENTS:
  - 1. SILVER PLATING
    - a. 99.5% PURE SEMI-BRIGHT WITH NO ORGANIC BRIGHTNERS OR CHROMATES.
  - 2. NICKEL PLATING
    - a. ELECTRODEPOSITED DUCTILE SULFAMATE NICKEL WITH A NON-BRIGHTENED FINISH. NO ORGANIC OR BRIGHTENING AGENTS SHALL BE ALLOWED.
    - b. SHALL ONLY BE USED AS AN UNDERLYING PLATING AND MAY NOT BE USED AS AN ELECTRICAL CONTACT SURFACE PLATING.
    - c. SHALL BE NODULE FREE WHEN VIEWED AT 10X MAGNIFICATION IN MEASURED IN CONTACT SURFACE AREA PLUS 0.5MM PERIMETER AROUND THE CONTACT SURFACE AREA.
    - d. ALL PLATINGS SHALL HAVE A 1.0% MAXIMUM BY WEIGHT IMPURITIES. IMPURITIES ARE DEFINED AS ALL ELEMENTS NOT THE PRIMARY PLATING OR HARDENING AGENT IF APPLICABLE, AS DETERMINED BY WET CHEMICAL ANALYSIS OR AUGER METHOD. NO SINGLE IMPURITY SHALL EXCEED 0.1% MAXIMUM BY WEIGHT.
  - 3. TESTING
    - a. THICKNESS TO BE MEASURED IN CONTACT SURFACE AREA PLUS 0.5MM PERIMETER AROUND THE CONTACT SURFACE AREA AS DESIGNATED IN THE DRAWING. THICKNESS SHALL BE DETERMINED BY METHOD OF X-RAY (XRF).
    - b. PLATING ADHESION SHALL BE TESTED BY A BEND TEST FOR ALL METALS. THE TEST SAMPLE SHALL BE BENT 90 DEGREES TO DETERMINE DEPOSIT ADHESION. TESTING SHALL BE COMPLETED IN ACCORDANCE WITH ASTM SPEC B571.

2. DESIGN - GENERAL:

- A. THIS IS A 100% CAD GENERATED PART. THE CAD MATHEMATICAL DATA IS THE MASTER FOR THIS PART. FOR DIMENSIONAL OR ANY INFORMATION NOT SHOWN ON THIS DRAWING, ANALYZE THE CAD MODEL.
- B. TOLERANCES:
  - 1. LINEAR
    - 0.X ± 0.30
    - 0.XX ± 0.10
    - 0.XXX ± 0.10
  - 2. ANGULAR X° ± 3°
  - 3. 
- C. MINIMUM WALL THICKNESS REQUIRED: 1.3mm.
- D. CORNERS SHOWN AS SHARP TO BE R 0.2 MAX.
- E. LETTERING SHALL BE 0.15 MAX RAISED IN 0.20 MAX RECESS PAD. THIS INCLUDES MATERIAL CODE, RECYCLING CODE, CAVITY ID AND DATE CODE.
- F-1. PARTS MUST BE FREE OF DISCOLORATION, SALT RESIDUE AND OTHER IMPERFECTIONS THAT AFFECT FIT OR FUNCTION.
- F-2. SCRATCHES OR DENTS NOT TO EXCEED 0.013mm IN DEPTH.
- G. FOLLOWING PRODUCTION CODES TO BE PERMANENTLY MARKED & HUMAN READABLE TO A LETTER HEIGHT OF 1.5 ± 0.5MM X 0.3 MAX DEEP
  - 1. MATERIAL #: XXXXX-XXXX
  - 2. DATE CODE: JJYY (JULIAN DAY, LAST DIGIT OF YEAR)
  - 3. INSPECTION MACHINE CODE + SERIAL #: X\_XXXXX

3. DESIGN - MANUFACTURING:

- A. DRAFT TO BE WITHIN TOLERANCE.
- B. ALLOWABLE FLASH MAX 0.2 HIGH X MAX 0.13 THICK.
- C. ALLOWABLE PARTING LINE MISMATCH 0.2 MAX.
- D. EJECTOR PINS MARK TO BE FLUSH TO 0.25 MAX DEPRESSED.
- E. ALLOWABLE GATE VESTIGE FLUSH TO 0.25 MAX PROTRUSION.
- F. NO EXTERNAL MOLD RELEASE AGENT ALLOWED DURING MANUFACTURING.
- G. STEEL THAT FORMS THE INDICATED SURFACE MUST BE POLISHED WITH A DIAMOND FINISH (SPI A-2) OVER THE FULL PERIPHERY OF THE TOOL. SURFACE MUST HAVE NO MISMATCH.
- H. ANY PROCESS LUBRICANT REMAINING ON THE TERMINAL MUST NOT VARNISH OR DEGRADE IT'S ELECTRICAL PERFORMANCE UP TO A MAXIMUM CLASS AMBIENT TEMPERATURE PER SAE USCAR-2 FOR 1008 HOURS. PROCESS LUBRICANTS SHOULD BE APPROVED BY THE RESPONSIBLE ENGINEER.
- J. OPTIONAL FEATURES PROVIDED FOR AUTOMATION.
- K. PART MUST BE FREE FROM BURRS AND SHARP EDGES, WHICH MIGHT BE DETRIMENTAL TO SATISFACTORY ASSEMBLY, SAFE HANDLING OR FUNCTION OF PART.
- L. PARTS AS DELIVERED TO ASSEMBLY SHALL BE CLEAN AND FREE OF DEBRIS, RESIDUAL ABRASIVE MATERIAL AND CORROSION PRODUCTS ADVERESLY AFFECTING FUNCTION OR APPEARANCE.
- M. RESTRICTED AND REPORTABLE SUBSTANCES FOR PARTS PER GMW3059.

	PAGE TITLE	DRAWING NUMBER	DWG STATUS			PAGE NUMBER	
	NOTES		12672833	ST	REV	PDI	6 OF 22
				R	001		

NOTES: UNLESS OTHERWISE SPECIFIED

4. SYSTEM REQUIREMENTS:

- A. HARNESS CONNECTOR IS COMPATIBLE WITH THE FOLLOWING ISO WIRE SIZE NO'S:  
 0.35mm<sup>2</sup>, MEETING GMW15626 - MIN OD OF 1.30MM  
 0.50mm<sup>2</sup>, MEETING GMW15626  
 0.75mm<sup>2</sup>, MEETING GMW15626 - MAX OD OF 2.06MM

B. CABLE TIE SPECIFICATIONS:

1. CABLE TIE:
  - TENSILE RATING: 220N / (50lbs) MIN
  - TIE LENGTH: 186mm MIN
  - TIE WIDTH: 4.75mm MAX
  - MATERIAL: NYLON
2. INSTALLATION:
  - CABLE TIE TENSION: 190N MIN
3. DRESSED WIRE BUNDLE PACKAGING: SEE FIG. 1

C. WHEN MATED WITH COMPONENT CONNECTOR INTERFACE AND/OR DRESS COVER, HARNESS CONNECTOR SYSTEM CONFORMS TO THE FOLLOWING:

1. SAE/USCAR-2, REV: 3 APRIL, 2001; CLASS 3
2. FIELD CORRELATED LIFE TEST, SAE/USCAR-20, NOV. 2001
3. GMW #3191 AUGUST 22, 2000 (DRAFT); TEMPERATURE CLASS 3, SEALING CLASS 1, VIBRATION CLASS 2
4. RESTRICTED AND REPORTABLE CHEMICALS PER GMW #3059, REV: D AUGUST 2002
5. TPA USER FORCES (FULLY POPULATED WITH TERMINALS)
  - a. REMOVAL FROM LOCK TO PRE-SET: <=120N

D. WIRE SPECIFICATIONS:

1. WIRE SURFACE MUST BE FREE OF SCRATCHES, GROOVES OR DENTS WHERE FUNCTIONAL

5. TERMINAL CURRENT RATINGS:

A. MX64 RCPT TERM

ALL TESTING DONE IN ACCORDANCE WITH USCAR-2 REV5 SECTION 5.3

1. MX64 RCPT TERM Ag 0.50/0.75mm<sup>2</sup> CRIMPED TO 0.75mm<sup>2</sup> ISO WIRE AND MATED TO MX123 0.64MM PIN: SEE TABLE BELOW
2. MX64 RCPT TERM Ag 0.35mm<sup>2</sup> CRIMPED TO 0.35mm<sup>2</sup> ISO WIRE AND MATED TO MX123 0.64MM PIN: SEE TABLE BELOW

WIRE	CURRENT RATING			
	23°C	85°C	105°C	125°C
0.75mm <sup>2</sup>	11.3A	11.3A	9.5A	6.6A
0.50mm <sup>2</sup>	10.0A	10.0A	8.3A	5.7A
0.35mm <sup>2</sup>	8.5A	8.5A	7.1A	5.0A

B. 2.8MM RCPT TERM

ALL TESTING DONE IN ACCORDANCE WITH MOLEX DVP&R 0279 (TR # 7125)

1. 2.8MM RCPT TERM TIN 2.0mm<sup>2</sup> CRIMPED TO 2.0mm<sup>2</sup> ISO WIRE AND MATED TO MX123 2.8MM BLADE: 25.6 AMPS AT 125°C

6. CONTACT MOLEX AUTOMOTIVE FOR AVAILABLE CUSTOM PATTERNS OF CAVITIES OPEN FOR CIRCUITS - SEE GM DRAWING 13507496



PAGE TITLE  
NOTES

DRAWING NUMBER

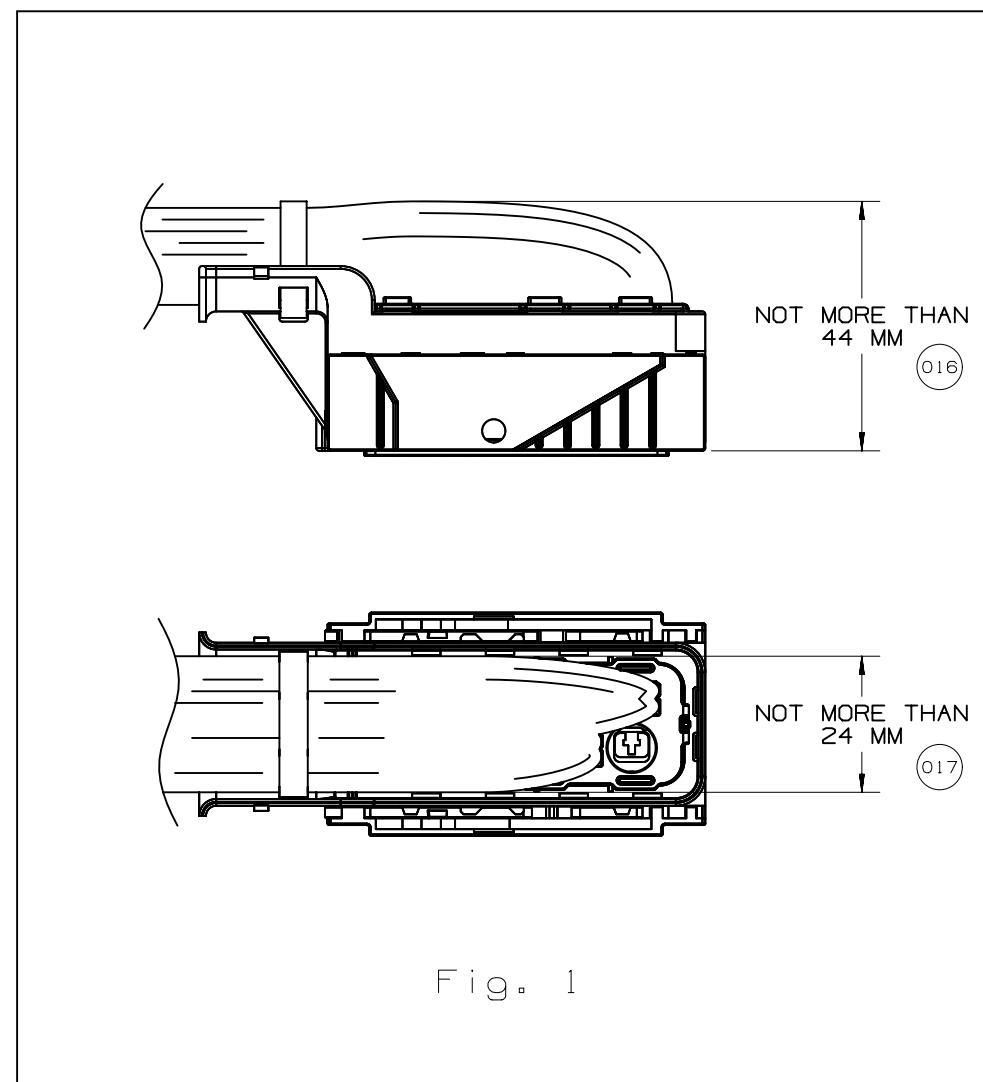
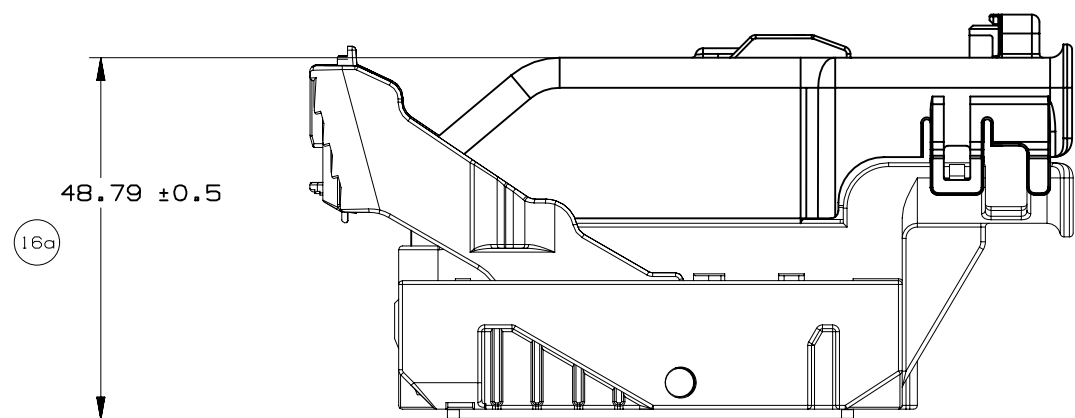
12672833

DWG STATUS

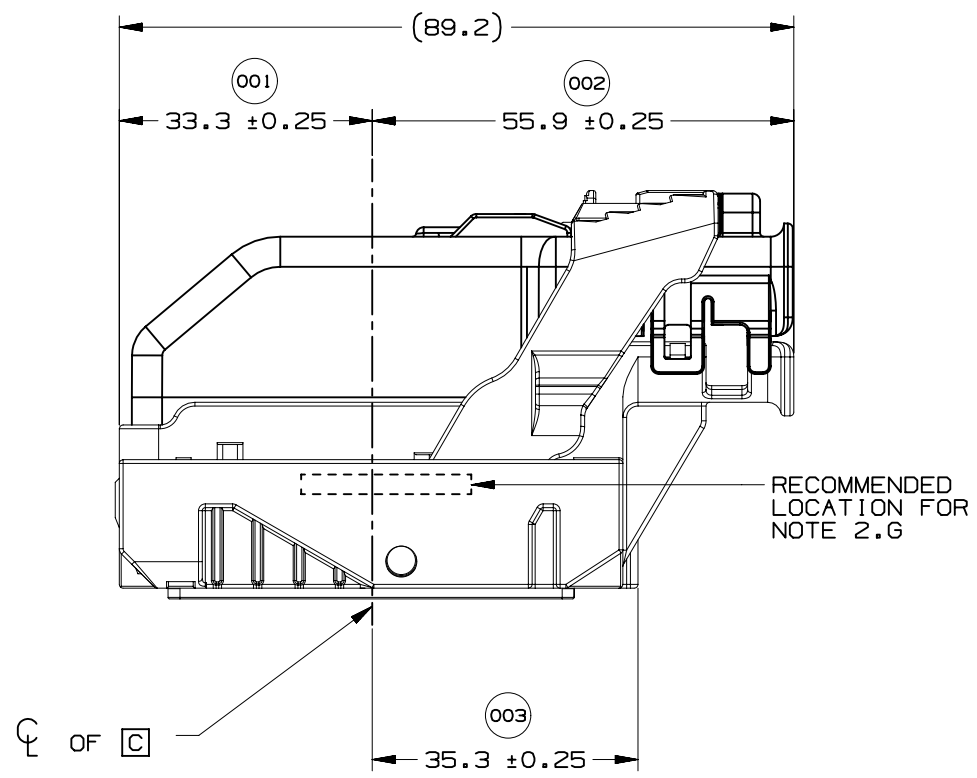
ST	REV	PDI
R	001	

PAGE NUMBER

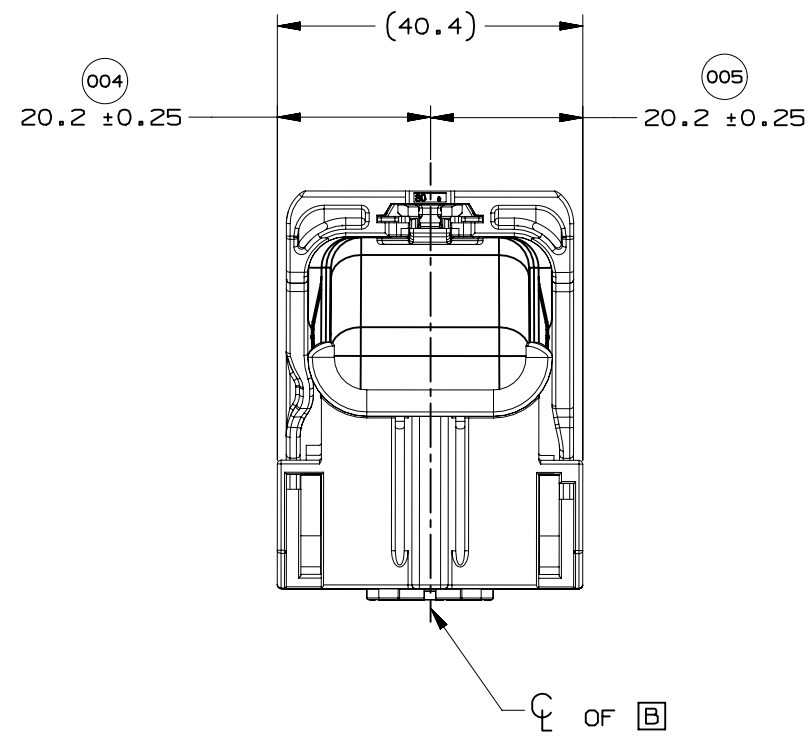
7 OF 22



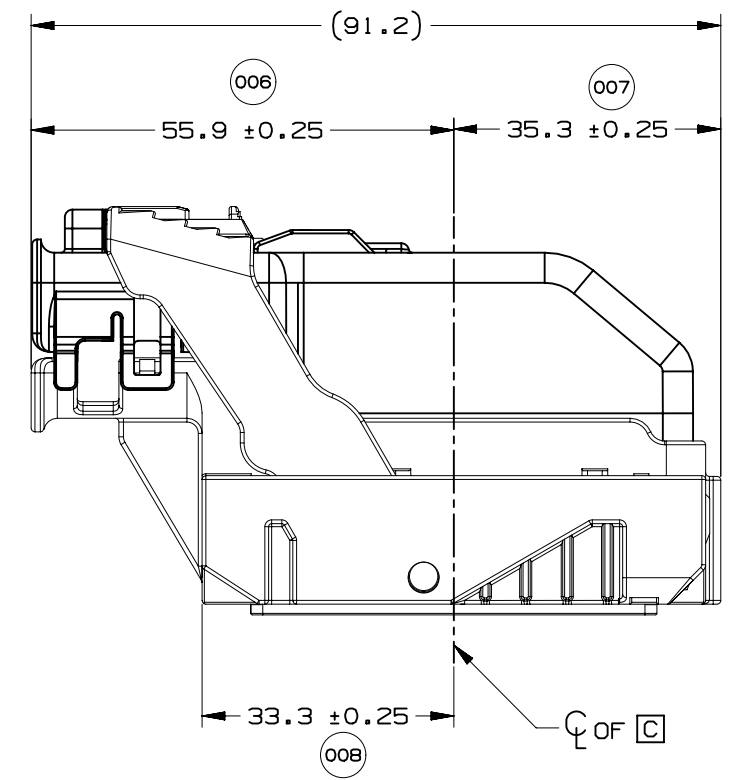




WIRE DRESS OPTION 0 SHOWN

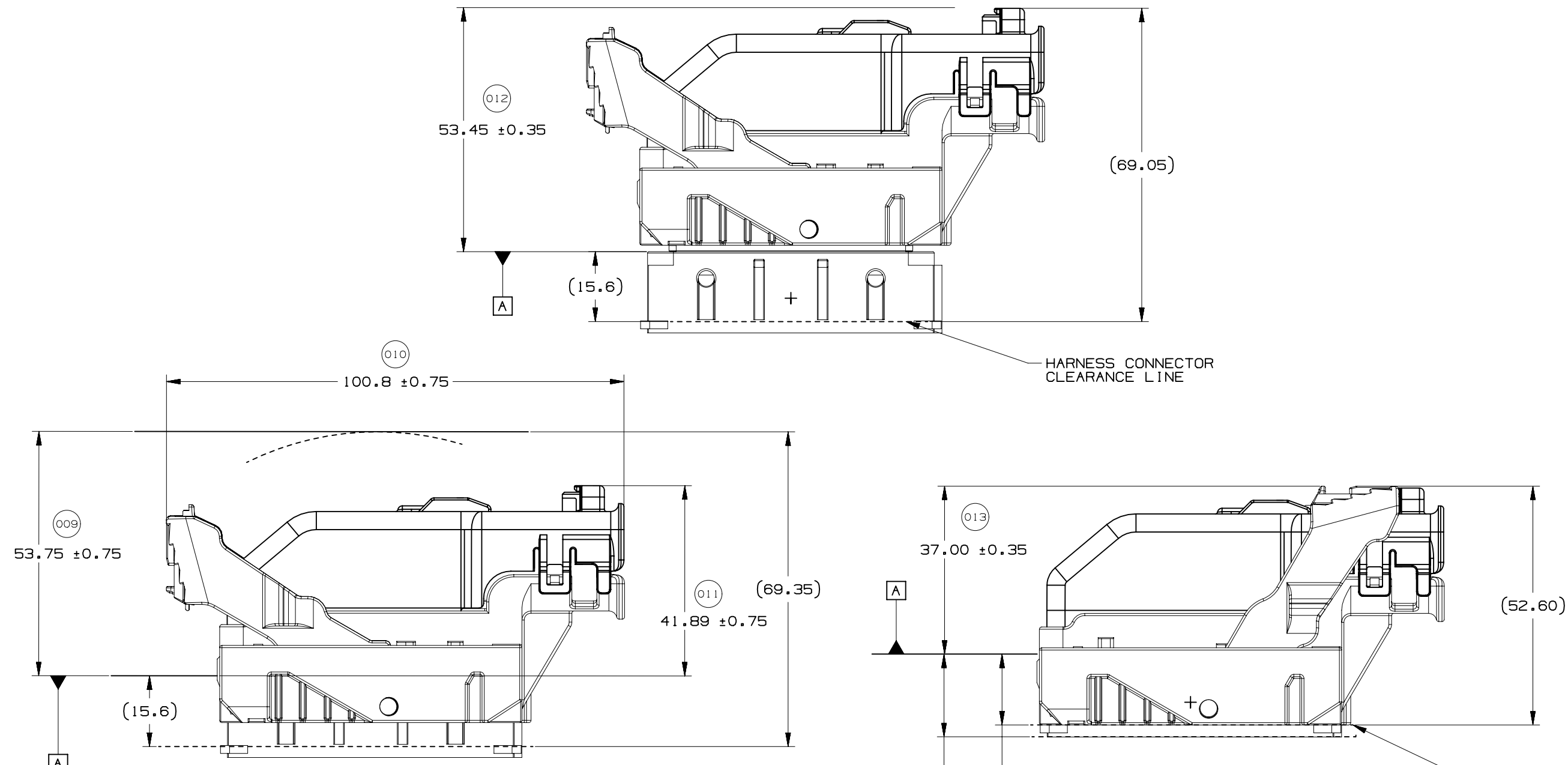


WIRE DRESS OPTION 0 SHOWN



WIRE DRESS OPTION 9 SHOWN





HARNESS CONNECTOR CLEARANCE LINE

HARNESS CONNECTOR ASSEMBLY IN FULLY-MATED POSITION

HARNESS CONNECTOR CLEARANCE LINE

15.6 MIN. ALL AROUND CLEARANCE REQUIRED FOR HARNESS CONNECTOR (014)

17.9 MIN. AT PAD LOCATION CLEARANCE REQUIRED FOR HARNESS CONNECTOR CONSTRUCTION BELOW THIS PLANE IS NOT CONTROLLED (015)

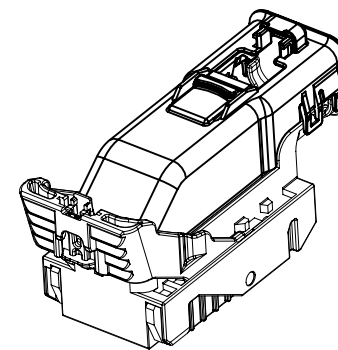
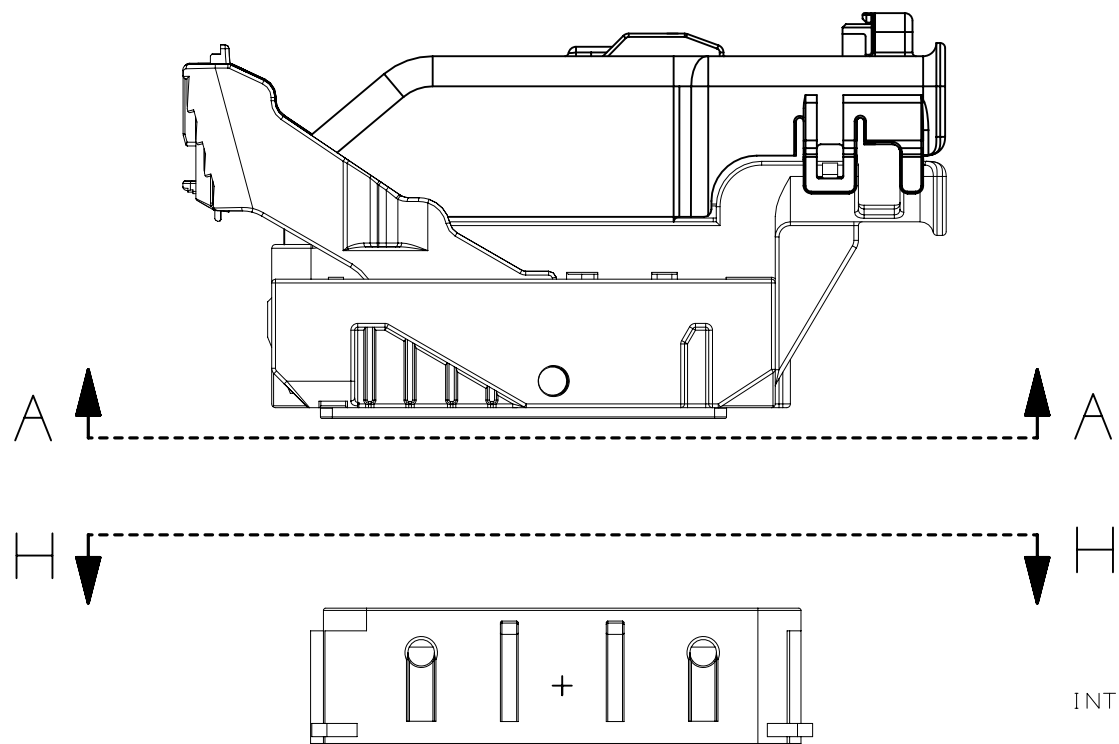


PAGE TITLE  
 LOCATION AND PACKAGING DIMENSIONS  
 REFERENCING INTERFACE DATUM A

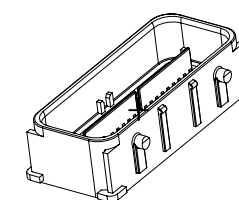
DRAWING NUMBER  
 12672833

DWG STATUS		
ST	REV	PD1
R	001	

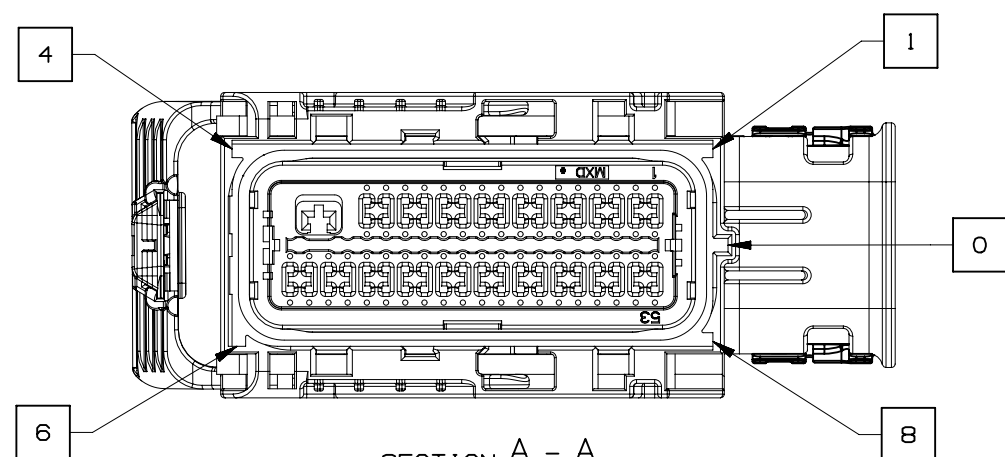
PAGE NUMBER  
 10 OF 22



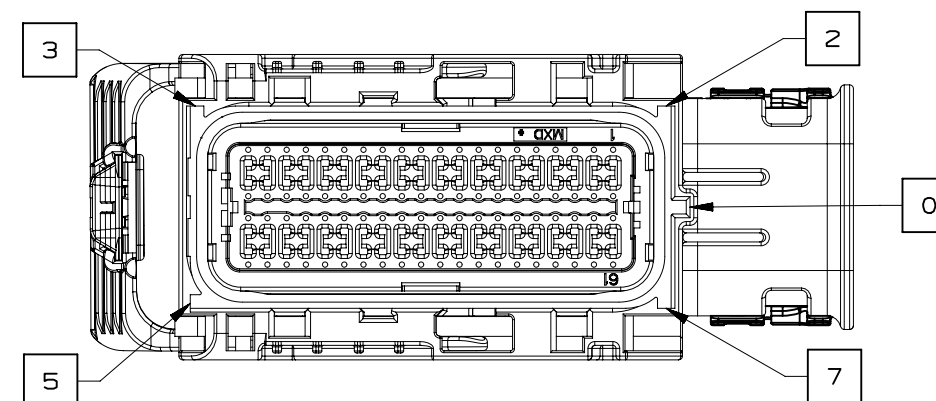
NOTE: REFERENCE THE COMPONENT TABLE FOR KEY OPTIONS AND CONFIGURATIONS



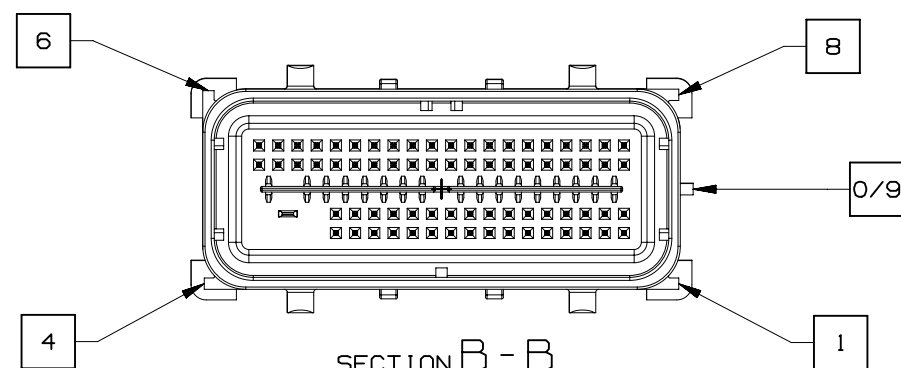
INTERFACE SIDE SHOWN ON ALL SECTION VIEWS



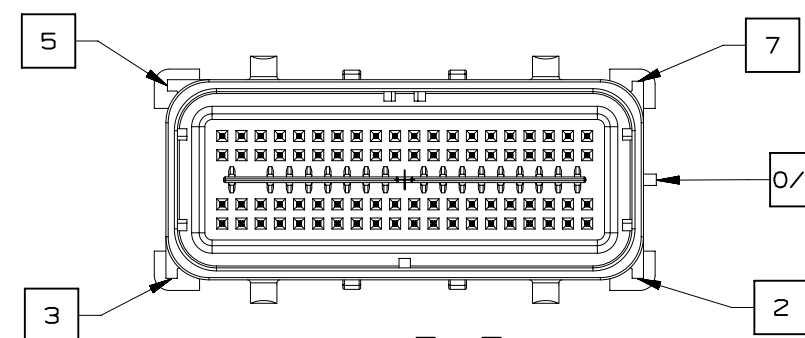
SECTION A - A  
73 CKT HARNESS CONNECTOR ASSEMBLY  
KEY OPTION B SHOWN



SECTION A - A  
80 CKT HARNESS CONNECTOR ASSEMBLY  
KEY OPTION K SHOWN



SECTION B - B  
73 CKT HARNESS CONNECTOR ASSEMBLY  
KEY OPTION B SHOWN



SECTION B - B  
80 CKT HARNESS CONNECTOR ASSEMBLY  
KEY OPTION K SHOWN

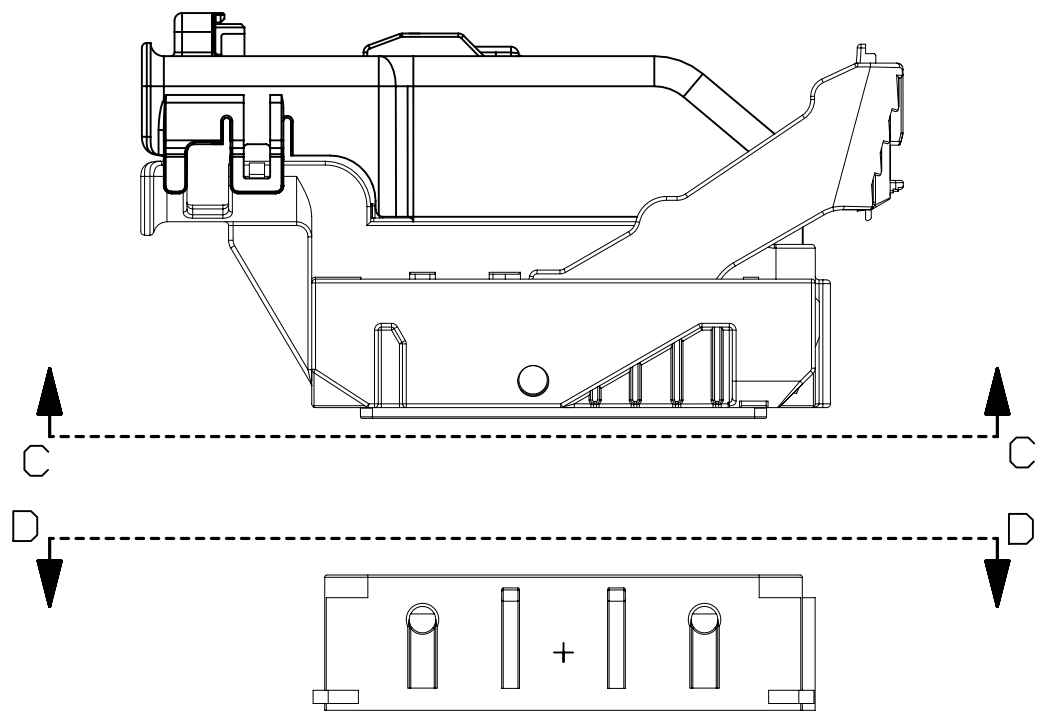


PAGE TITLE  
KEY ID REF - WIRE DRESS OPTION 0

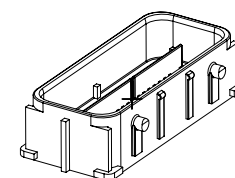
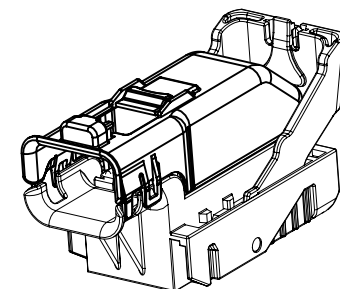
DRAWING NUMBER  
12672833

DWG STATUS		
ST	REV	PD1
R	001	

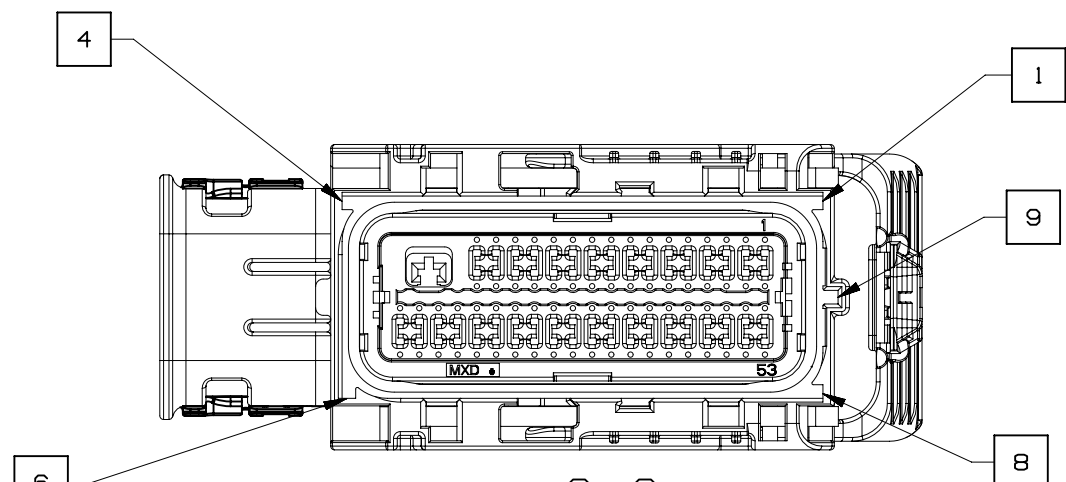
PAGE NUMBER  
11 OF 22



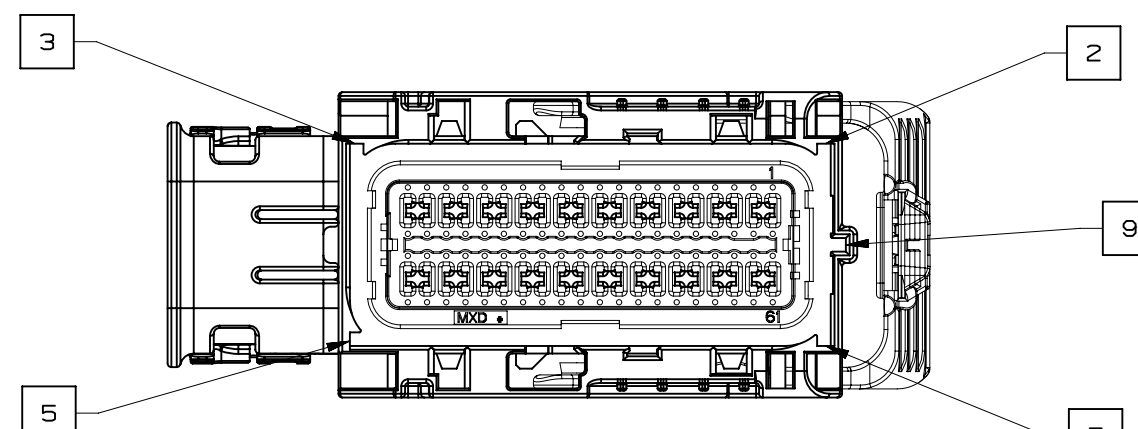
INTERFACE SIDE SHOWN ON ALL SECTION VIEWS



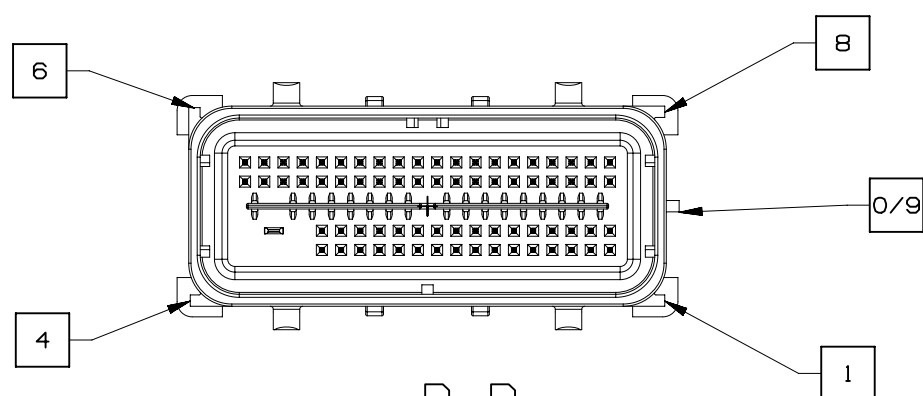
NOTE: REFERENCE THE COMPONENT TABLE FOR KEY OPTIONS AND CONFIGURATIONS



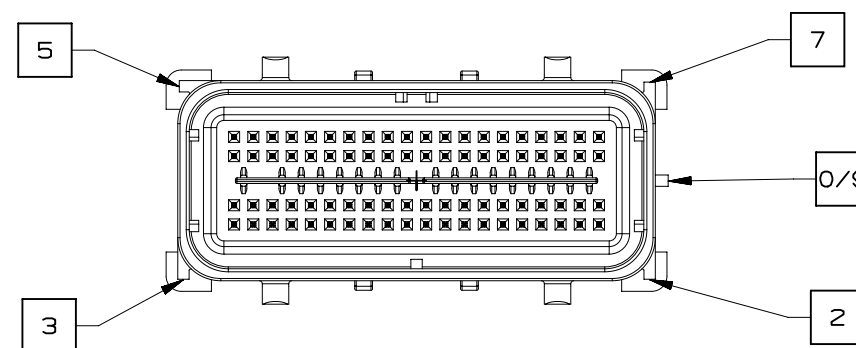
SECTION C - C  
73 CKT HARNESS CONNECTOR ASSEMBLY  
KEY OPTION B SHOWN



SECTION C - C  
80 CKT HARNESS CONNECTOR ASSEMBLY  
KEY OPTION K SHOWN



SECTION D - D  
73 CKT HARNESS CONNECTOR ASSEMBLY  
KEY OPTION B SHOWN



SECTION D - D  
80 CKT HARNESS CONNECTOR ASSEMBLY  
KEY OPTION K SHOWN

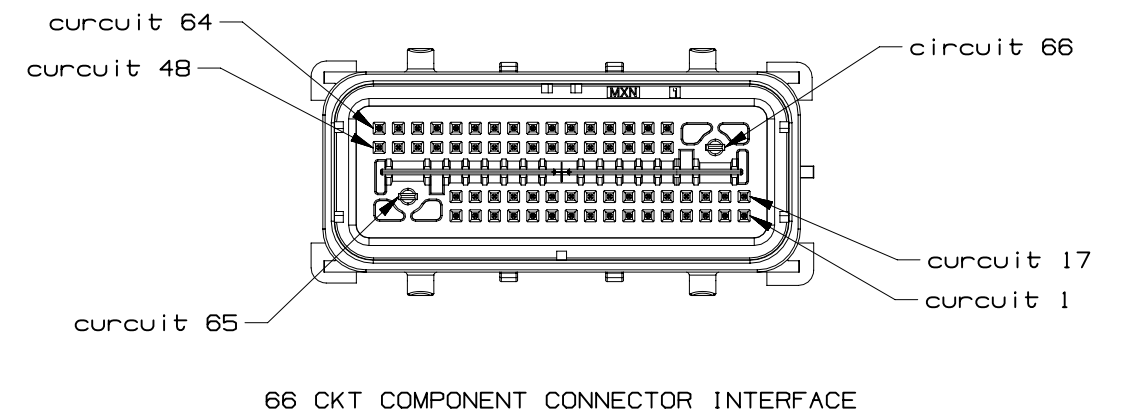
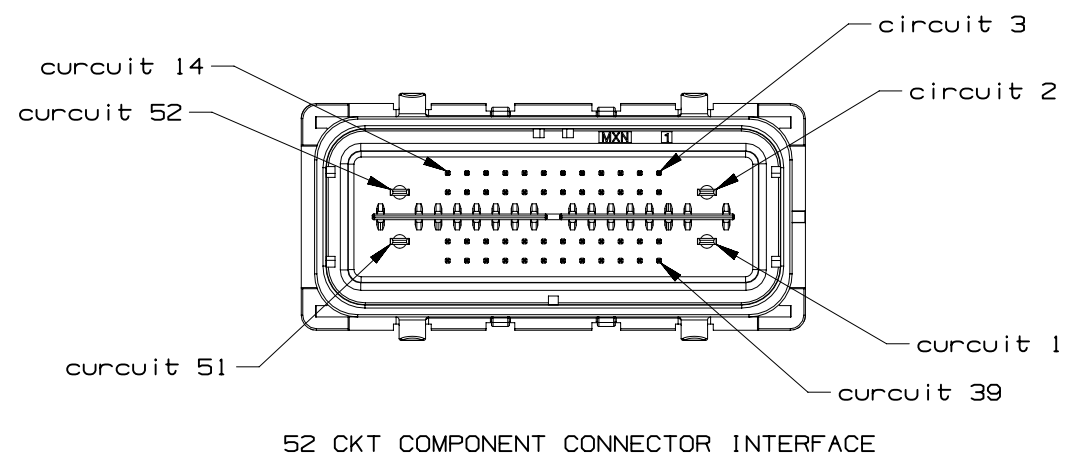
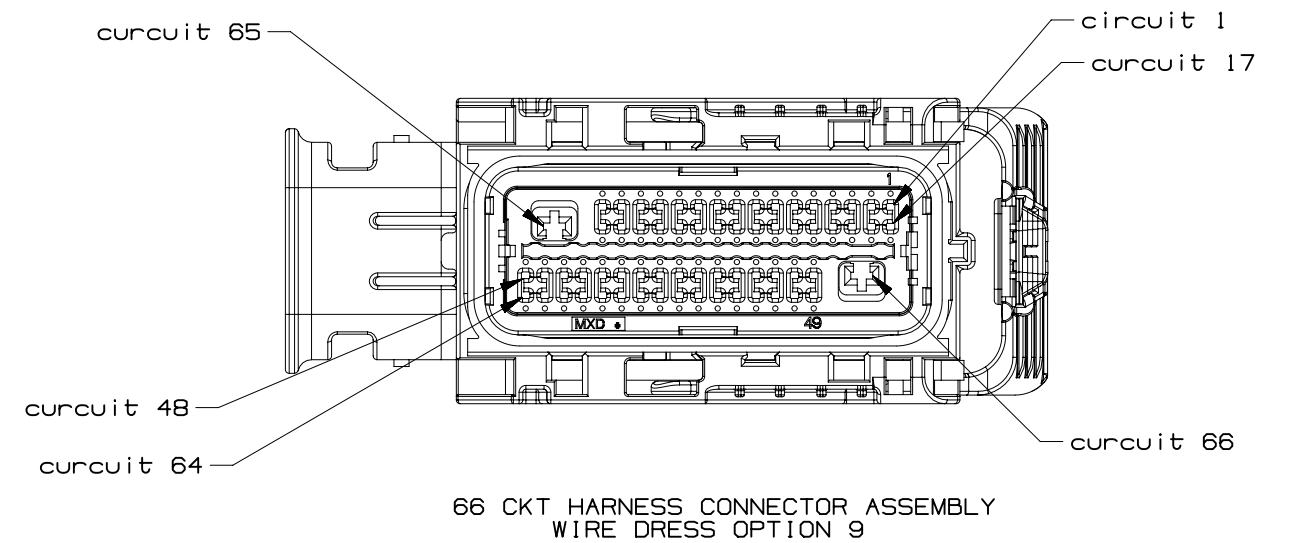
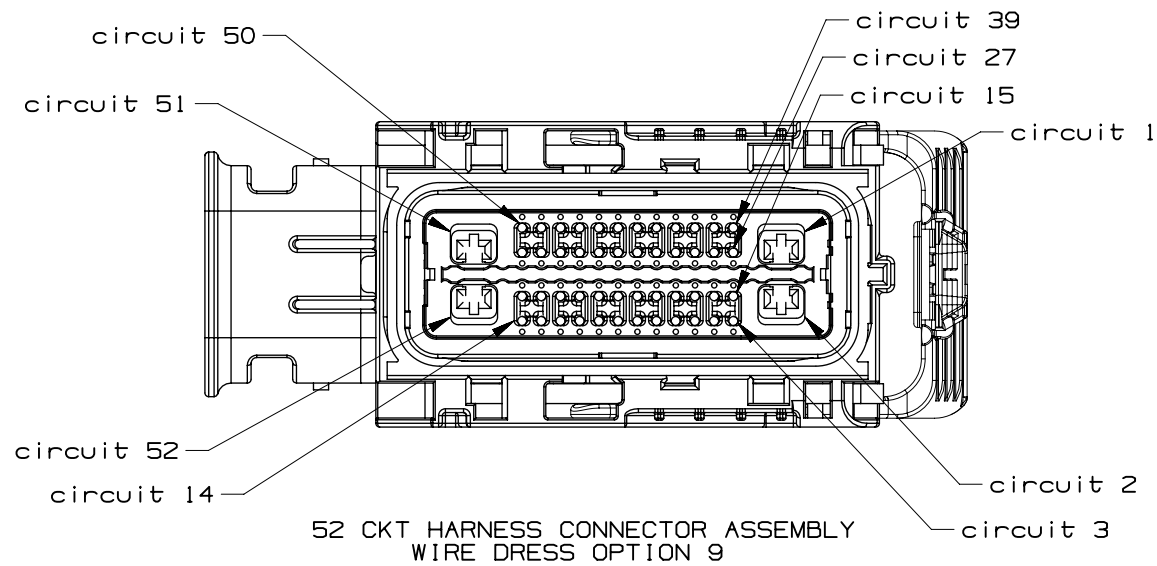
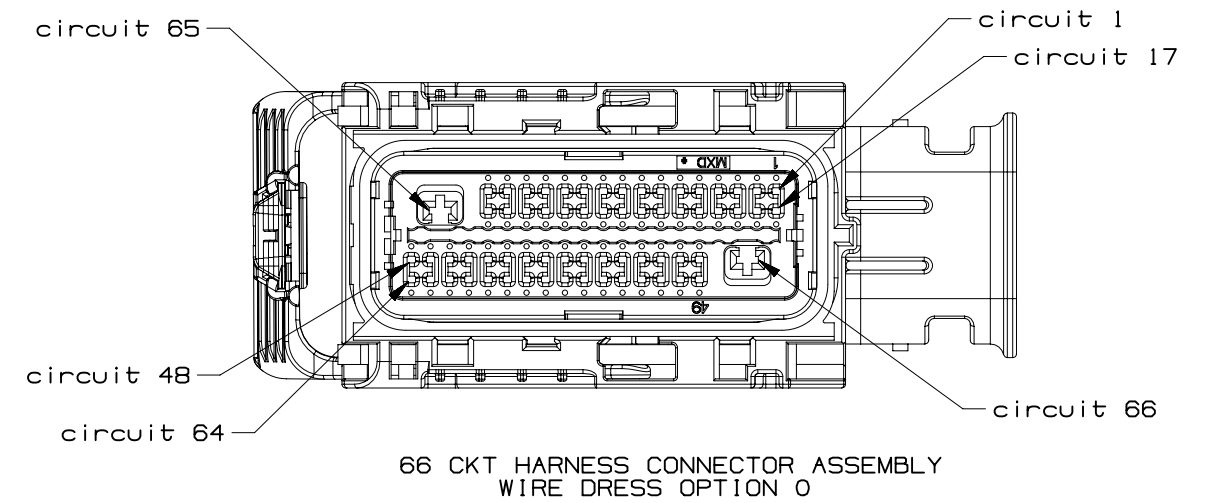
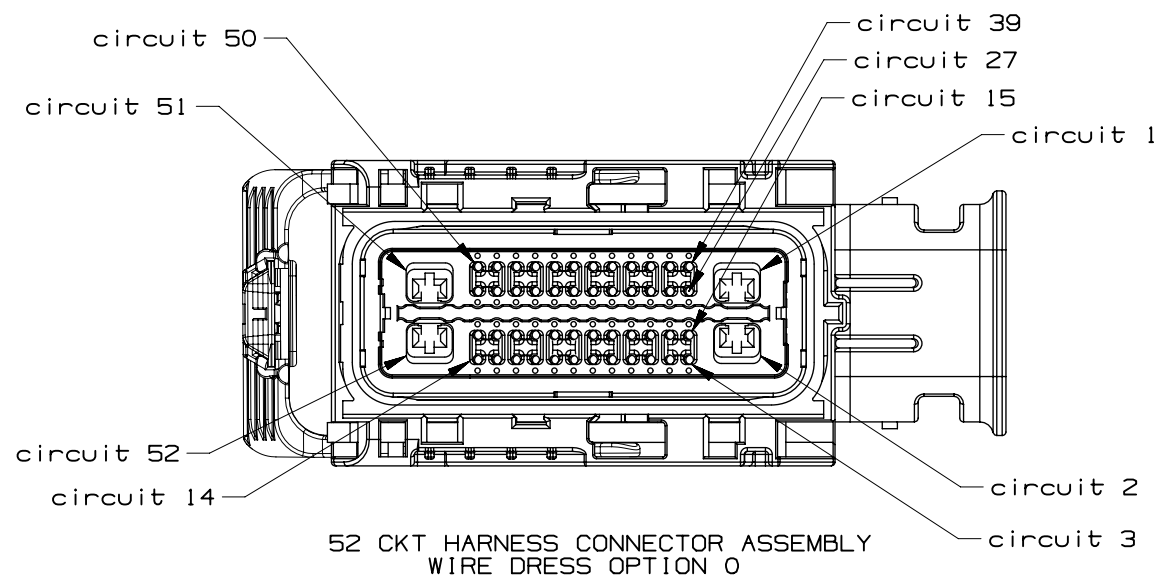


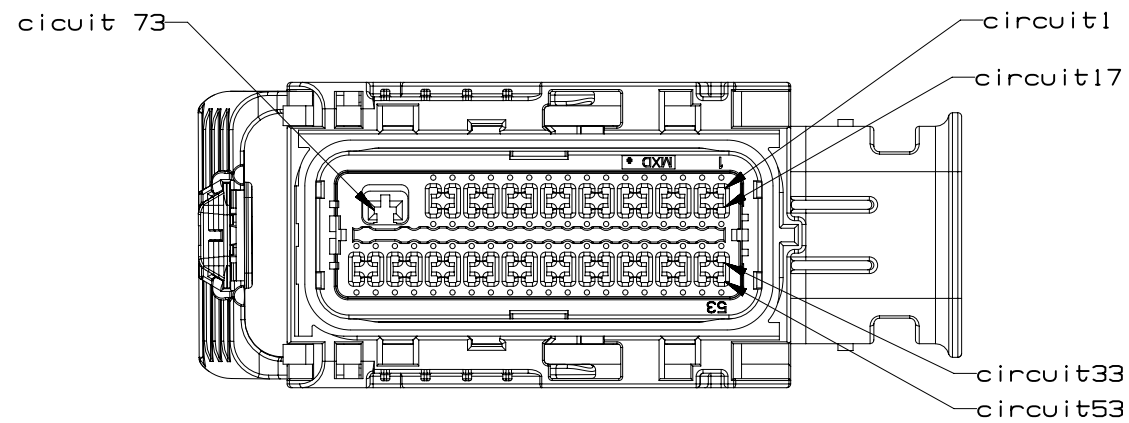
PAGE TITLE  
KEY ID REF - WIRE DRESS OPTION 9

DRAWING NUMBER  
12672833

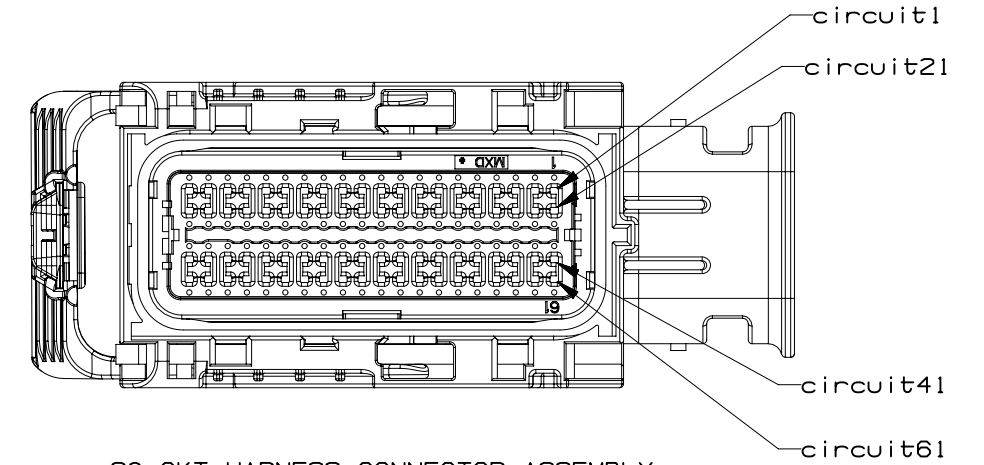
DWG STATUS		
ST	REV	PD1
R	001	

PAGE NUMBER  
12 OF 22



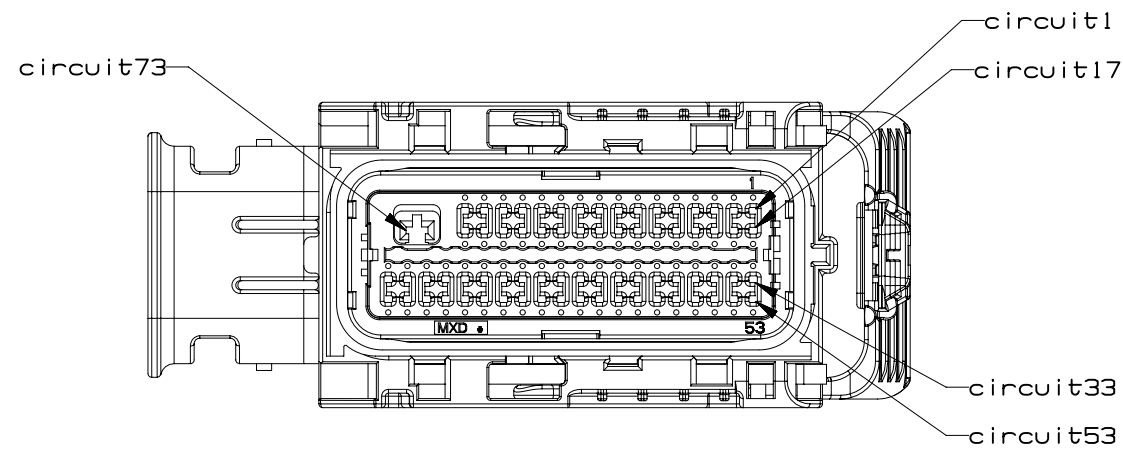


73 CKT HARNESS CONNECTOR ASSEMBLY  
WIRE DRESS OPTION 0

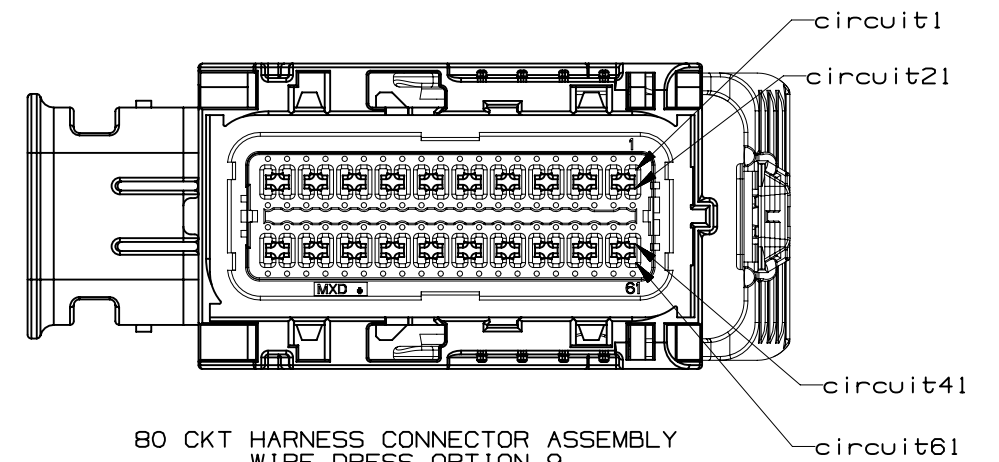


80 CKT HARNESS CONNECTOR ASSEMBLY  
WIRE DRESS OPTION 0

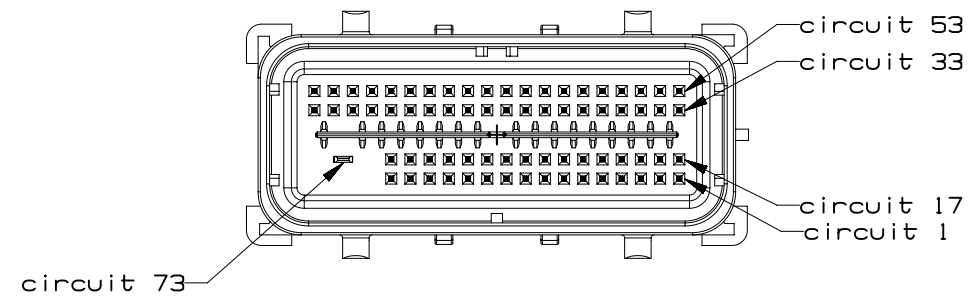
INTERFACE SIDE SHOWN ON ALL VIEWS



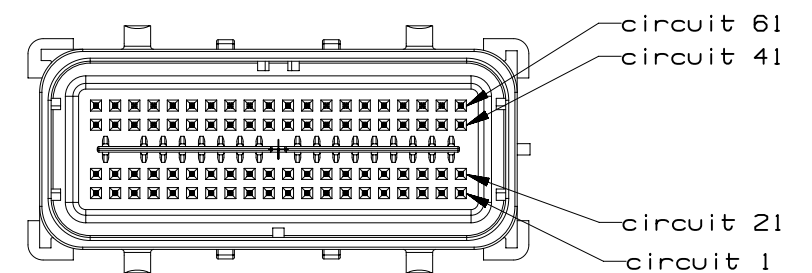
73 CKT HARNESS CONNECTOR ASSEMBLY  
WIRE DRESS OPTION 9



80 CKT HARNESS CONNECTOR ASSEMBLY  
WIRE DRESS OPTION 9

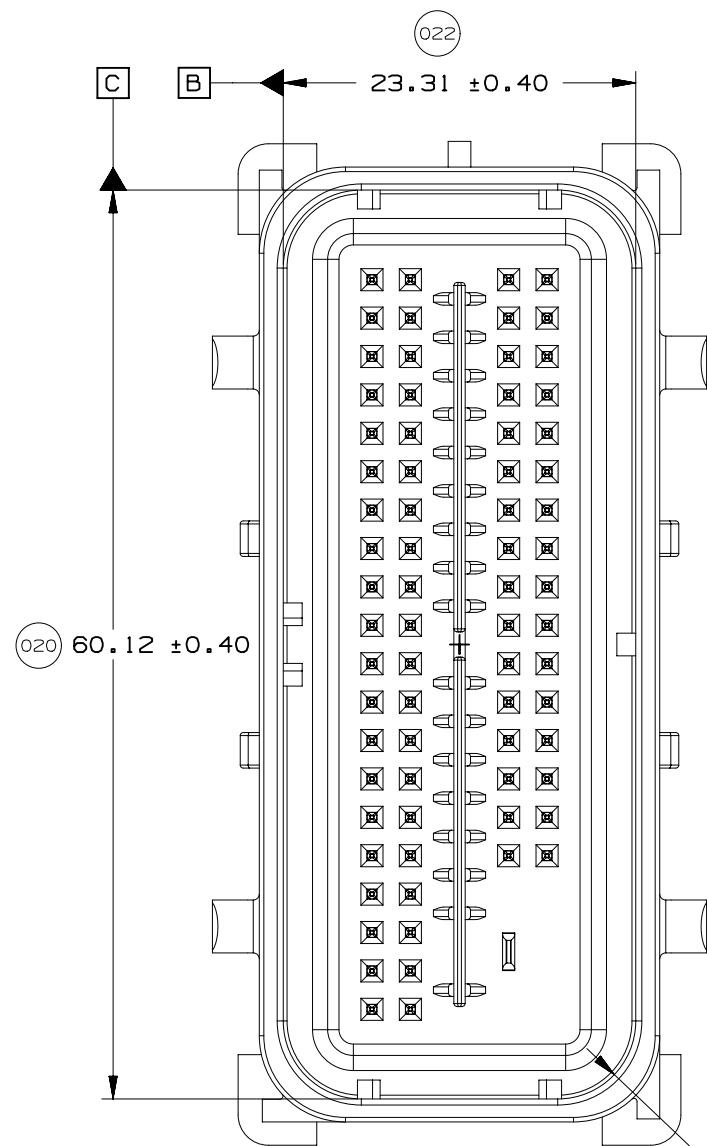
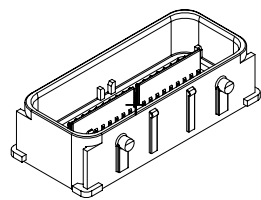


73 CKT COMPONENT CONNECTOR INTERFACE

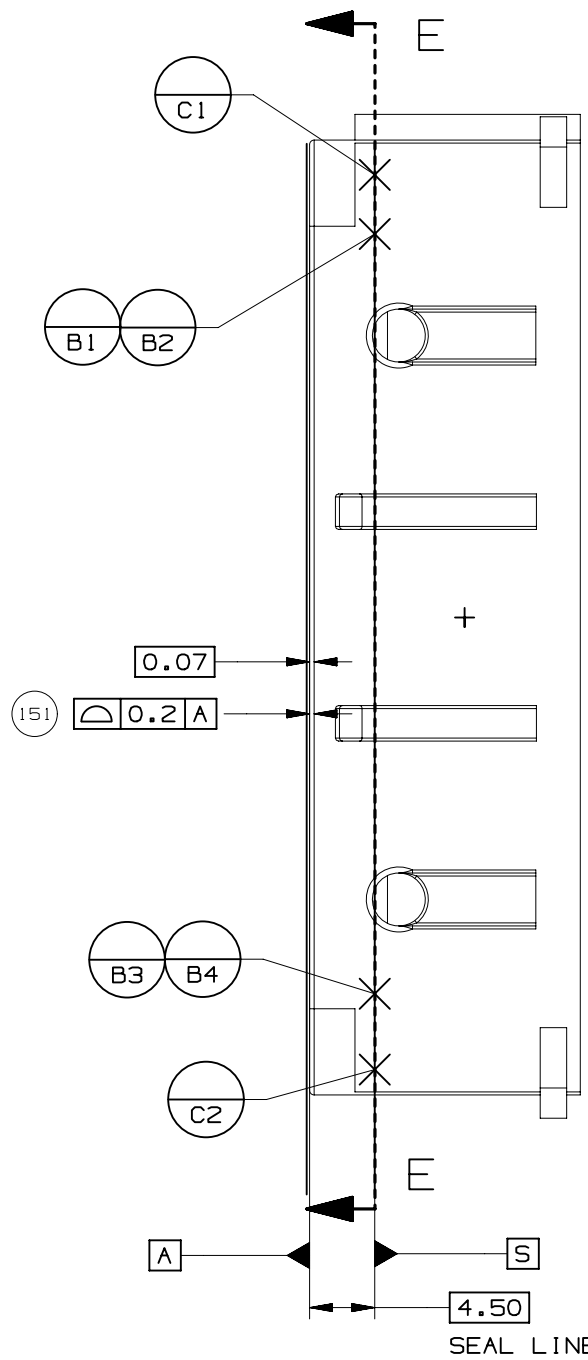


80 CKT COMPONENT CONNECTOR INTERFACE

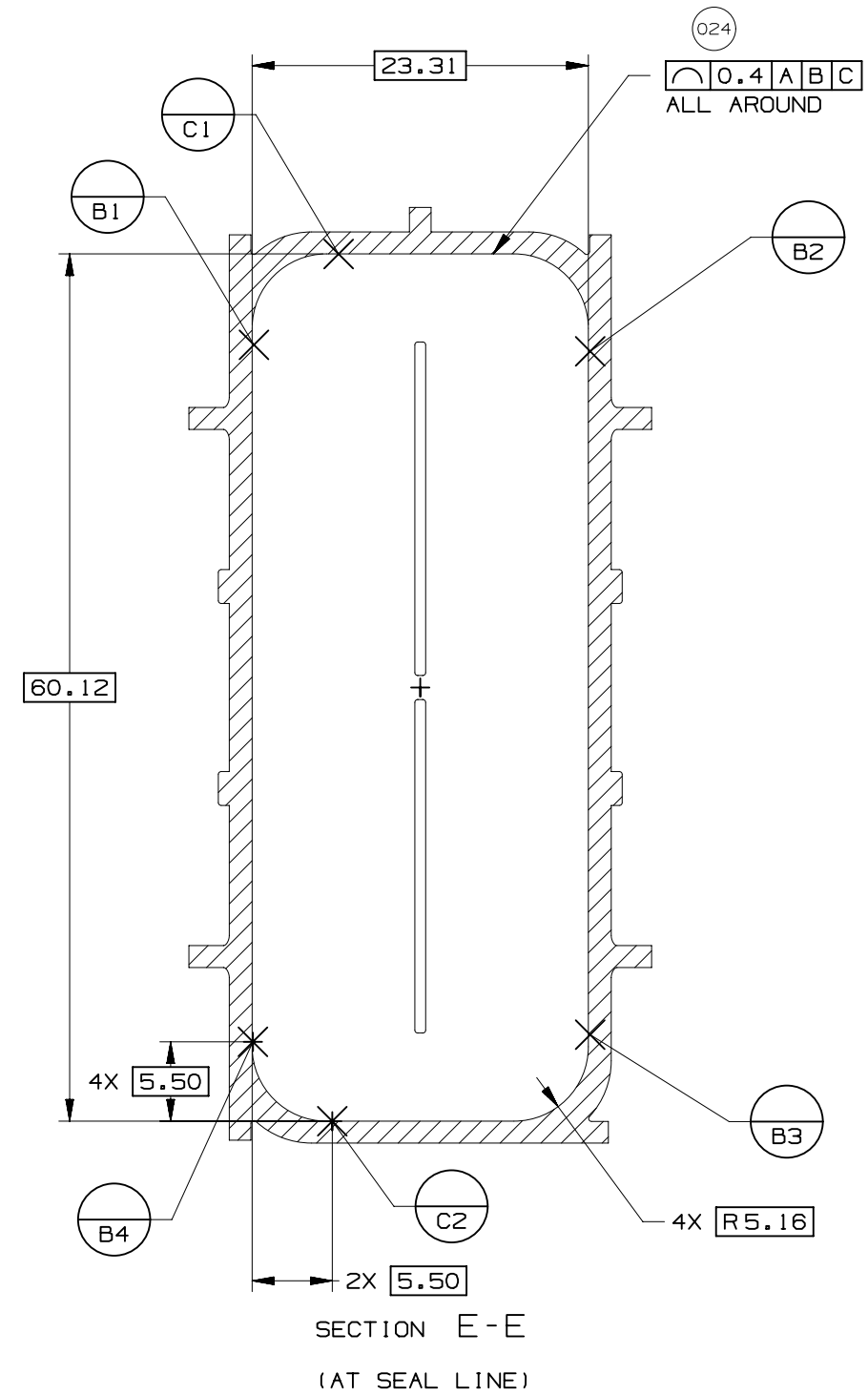




4X R5.16 ± 0.30



SEAL LINE



SECTION E-E  
(AT SEAL LINE)

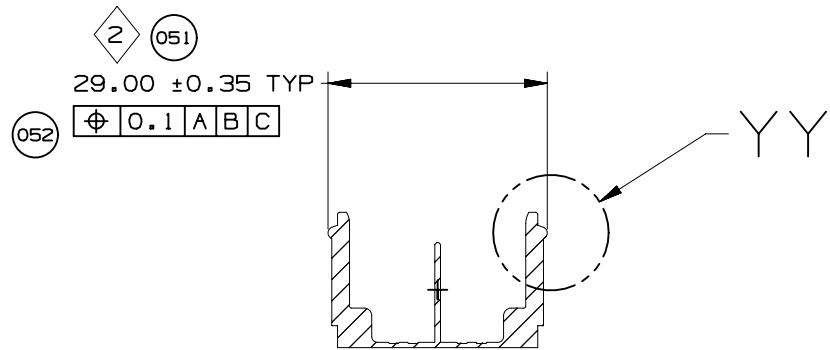
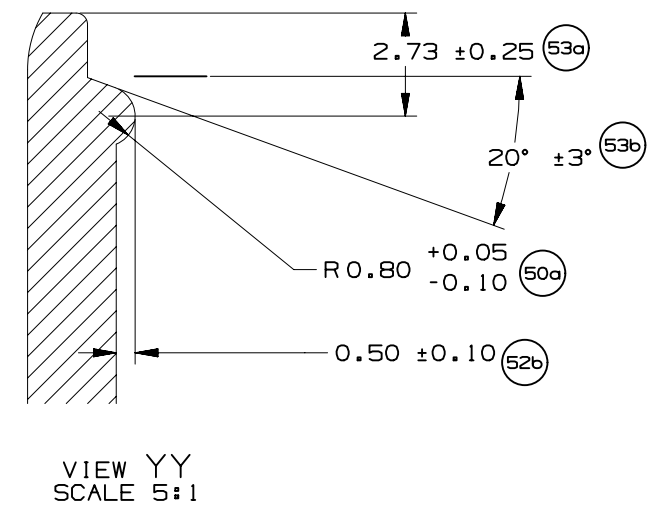
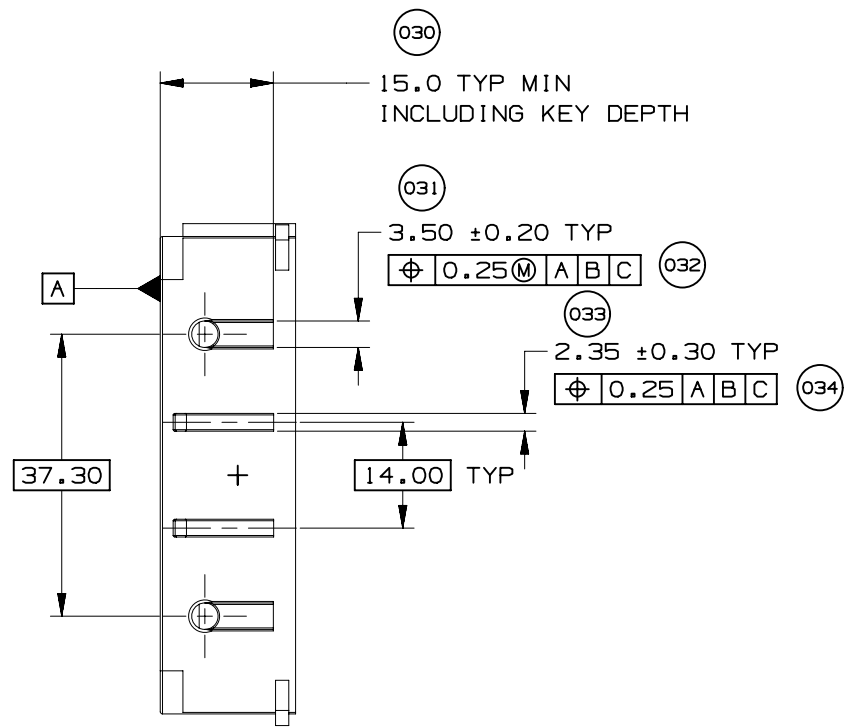
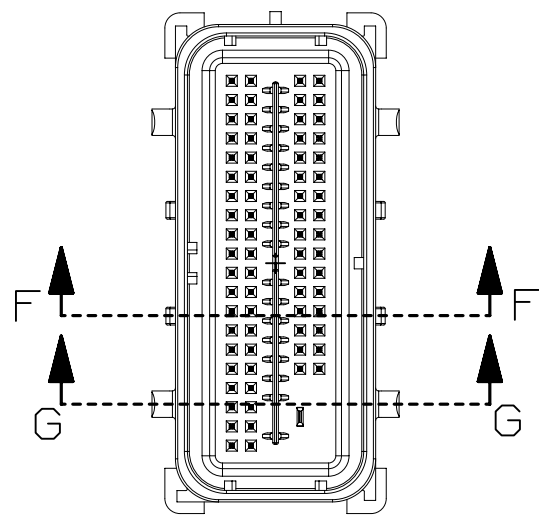
UNLESS SPECIFIED, TOLERANCE OF THE COMPONENT CONNECTOR INTERFACE TO BE  $\sqrt{0.13 A B C}$



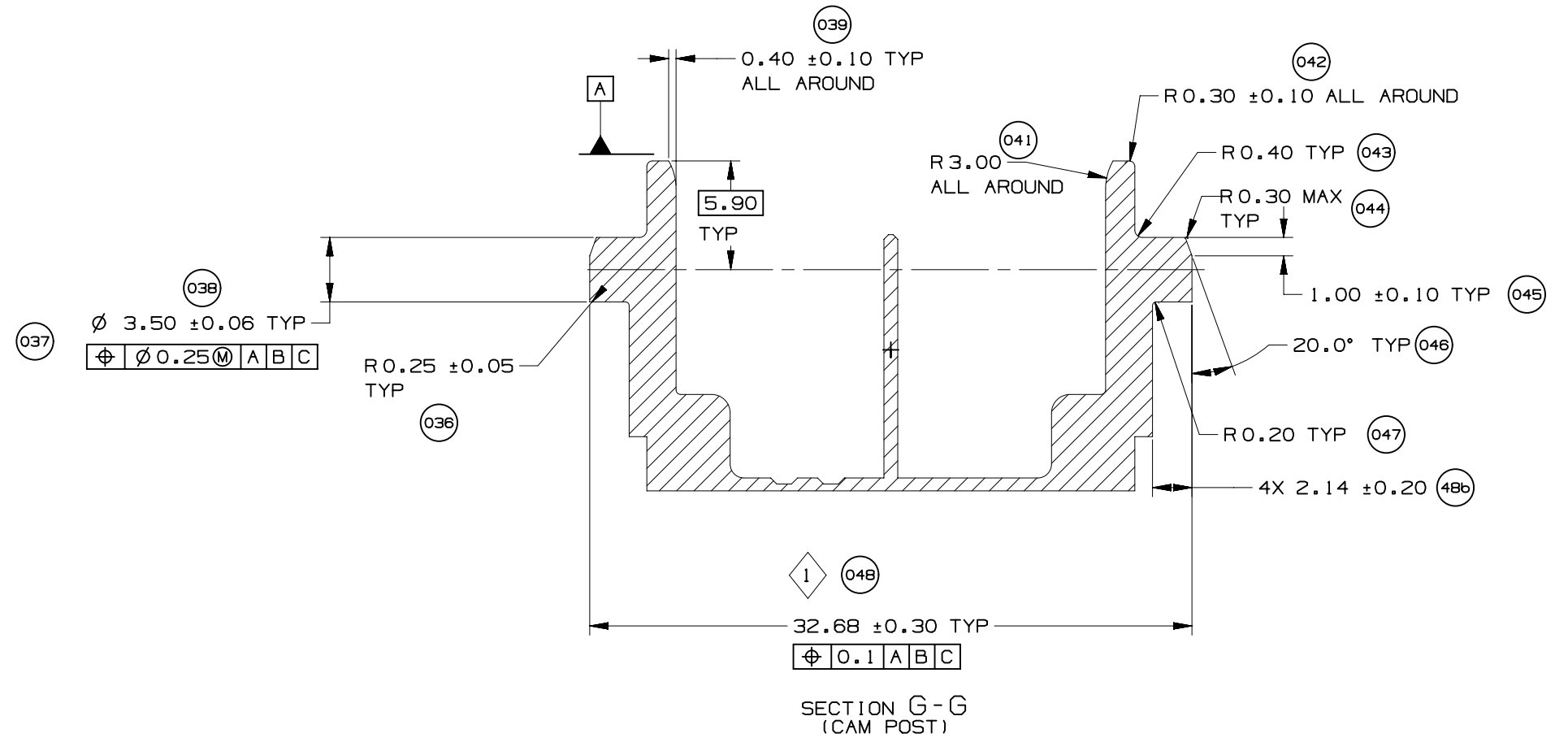
PAGE TITLE  
COMPONENT CONNECTOR INTERFACE

DRAWING NUMBER  
12672833

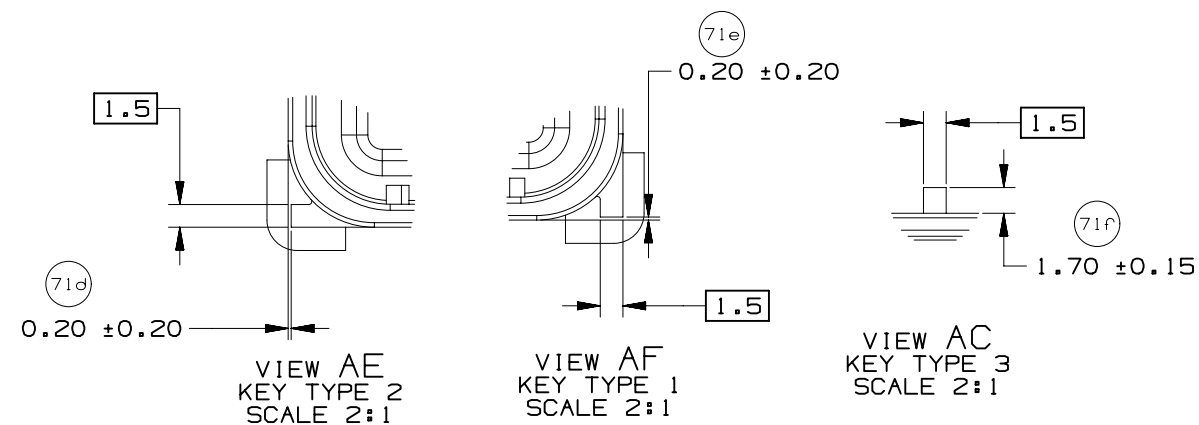
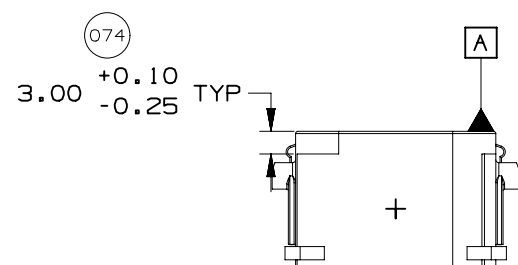
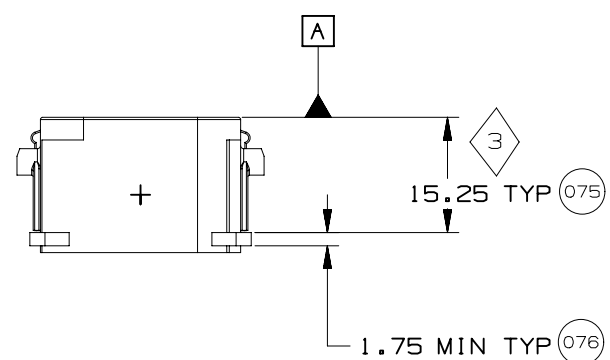
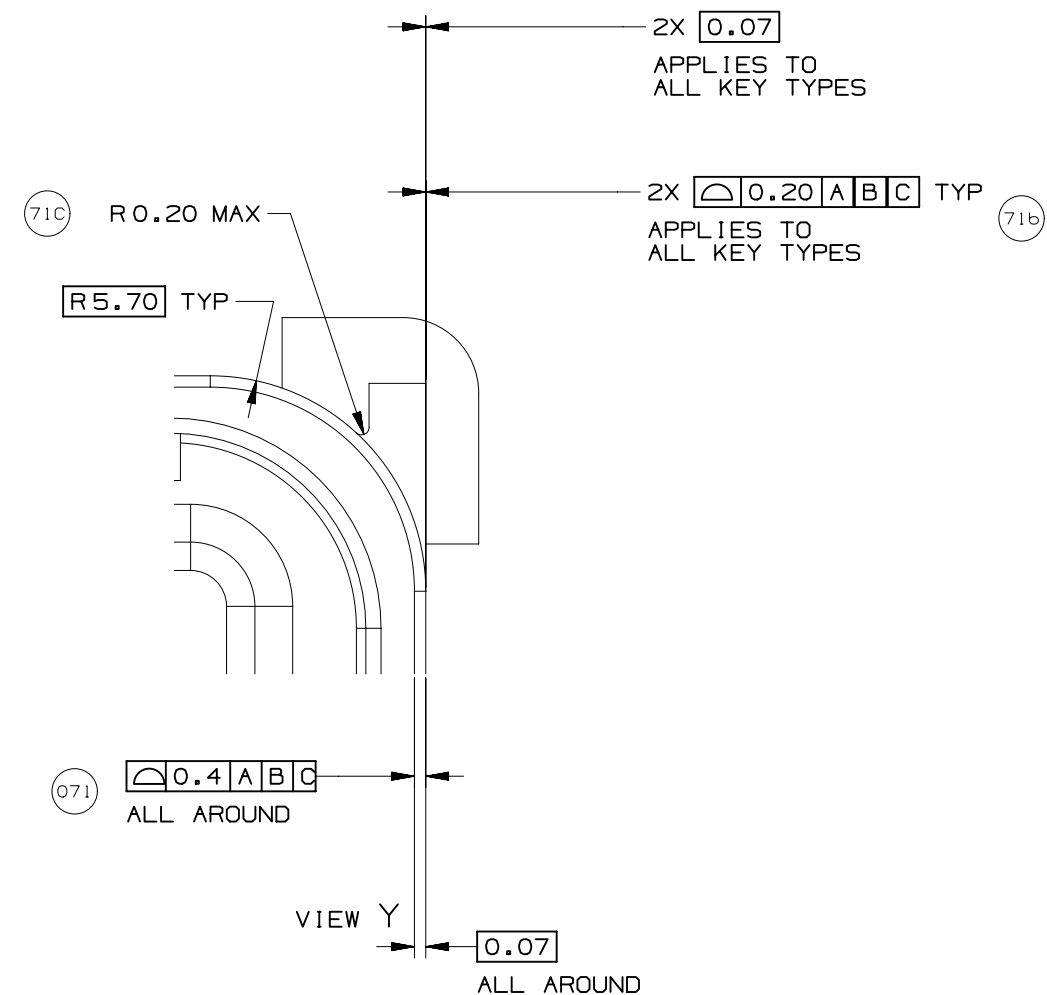
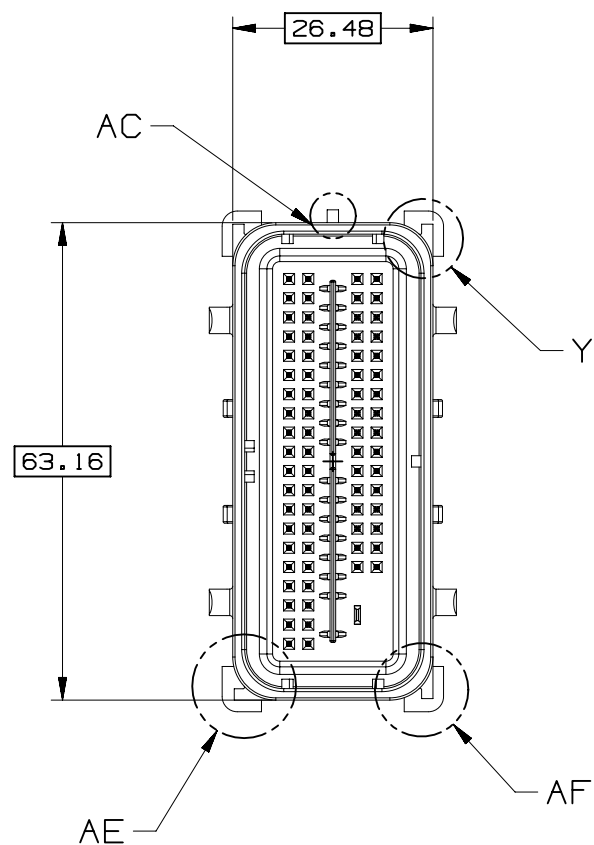
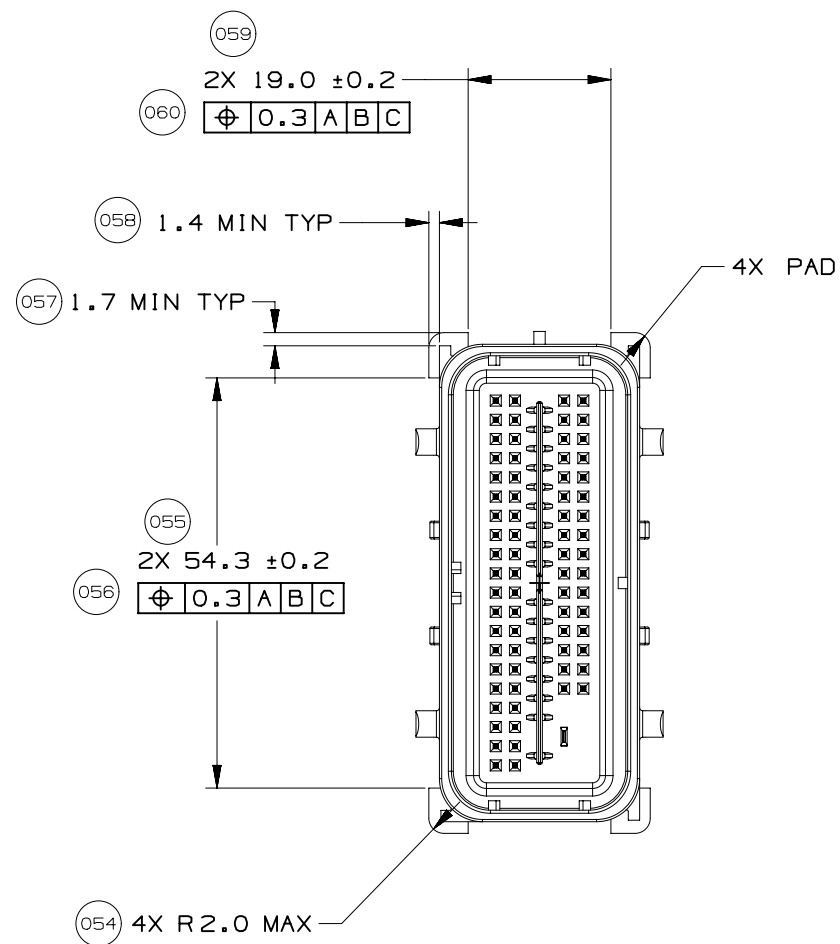
DWG STATUS			PAGE NUMBER
ST	REV	PD1	
R	001		15 OF 22



SECTION F-F  
(RELEASE FEATURE)



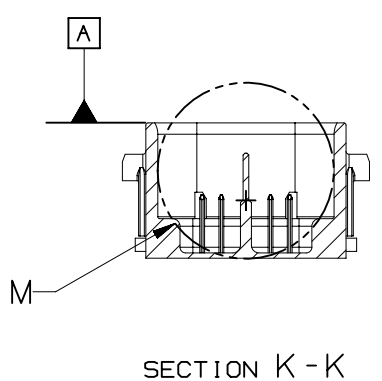
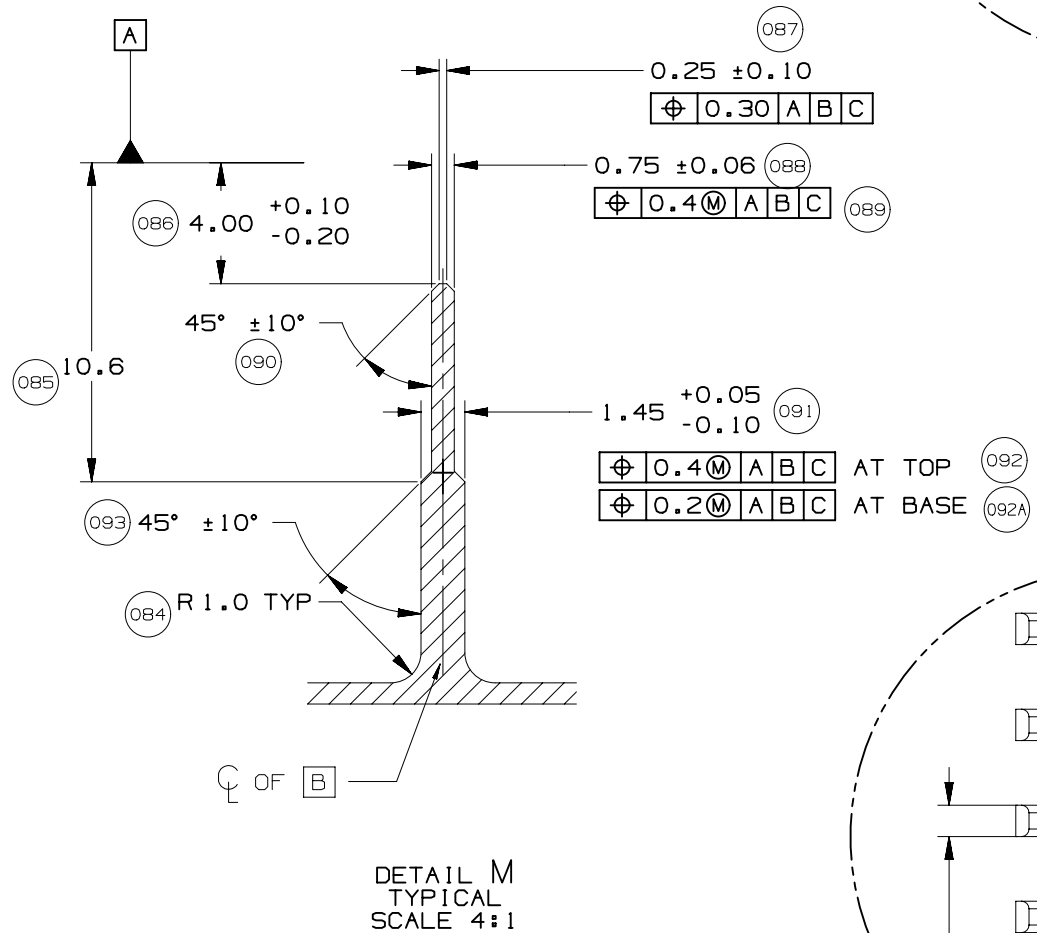
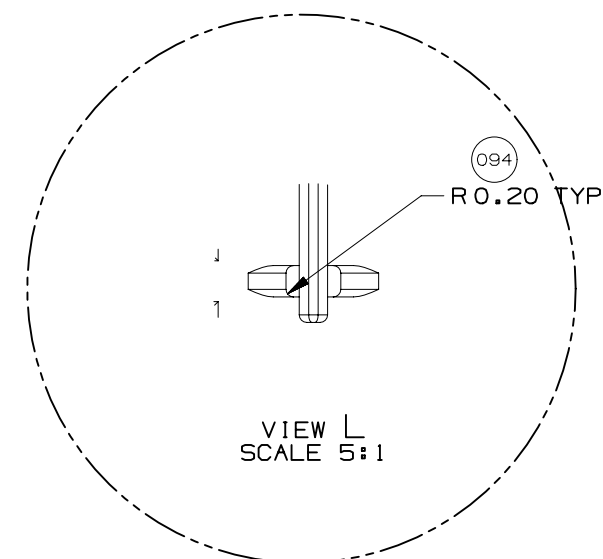
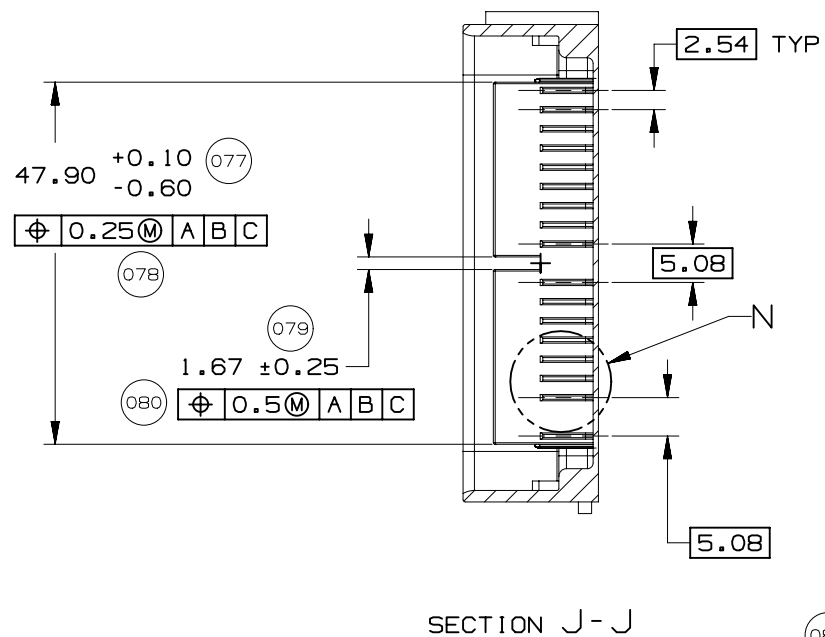
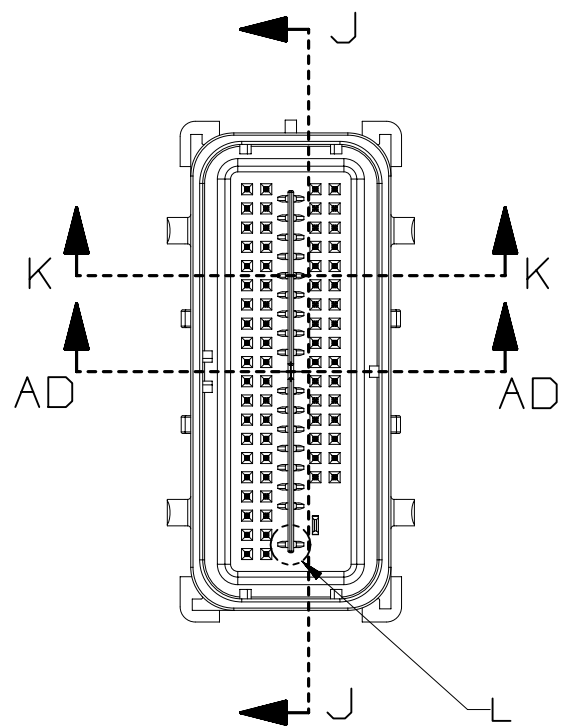




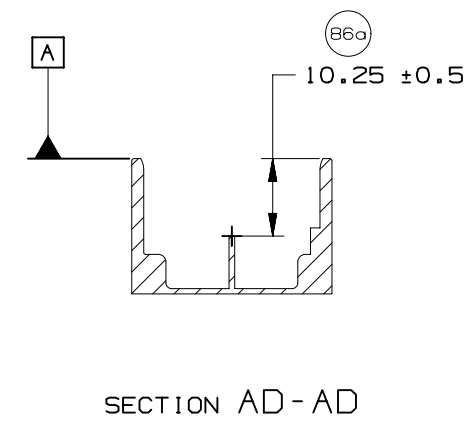
PAGE TITLE  
 COMPONENT CONNECTOR INTERFACE

DRAWING NUMBER  
 12672833

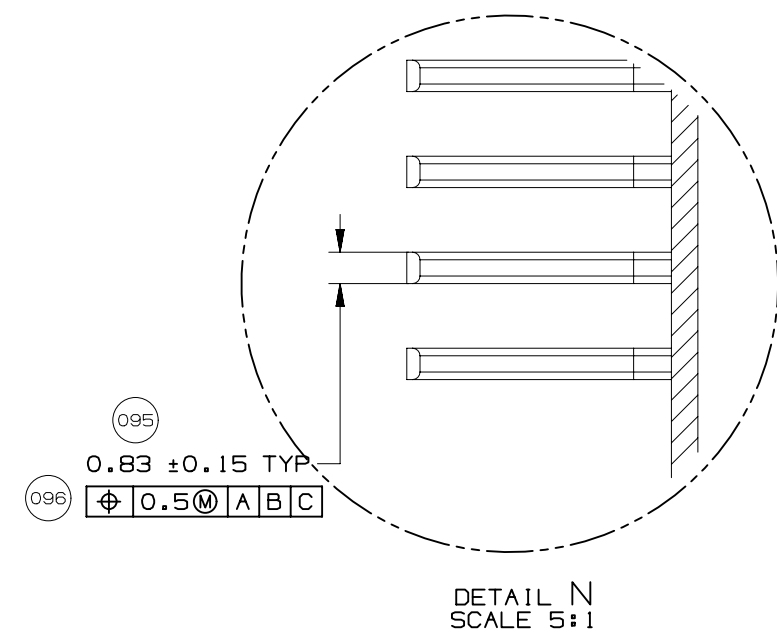
DWG STATUS			PAGE NUMBER
ST	REV	PD1	
R	001		17 OF 22



SECTION K-K



SECTION AD-AD



DETAIL N  
SCALE 5:1

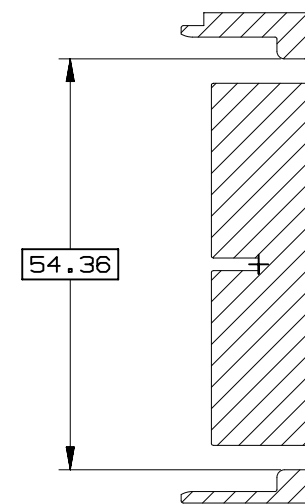
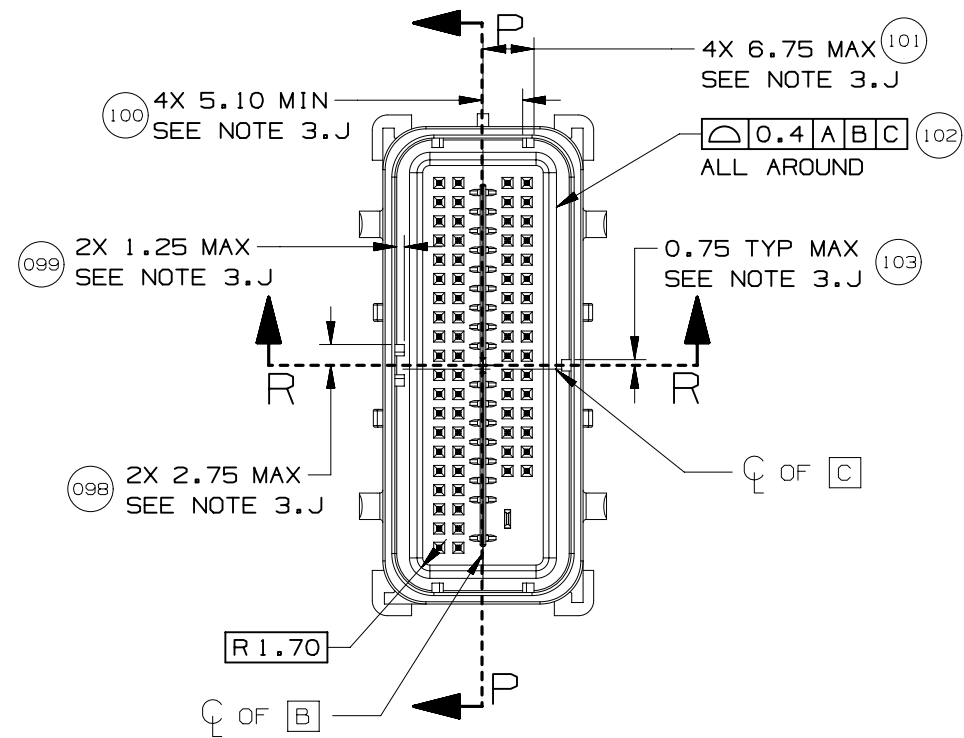


PAGE TITLE  
COMPONENT CONNECTOR INTERFACE

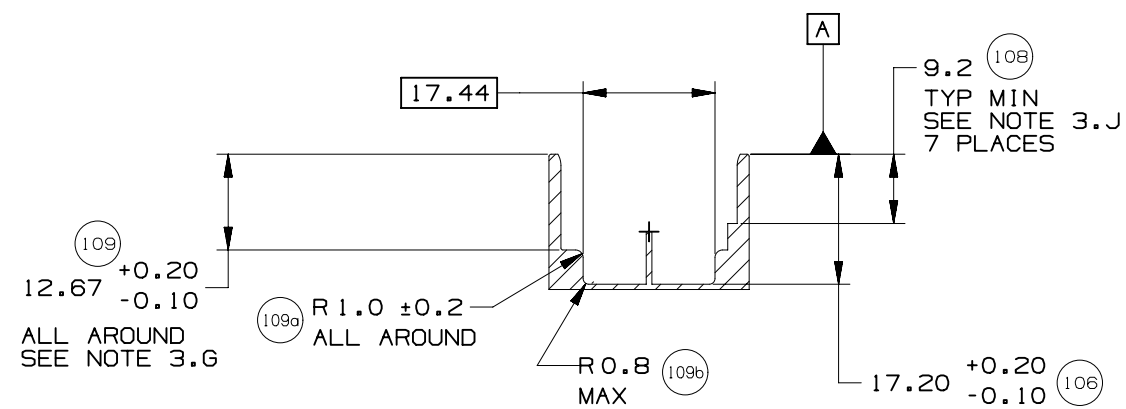
DRAWING NUMBER  
12672833

DWG STATUS		
ST	REV	PD1
R	001	

PAGE NUMBER  
18 OF 22



SECTION P-P



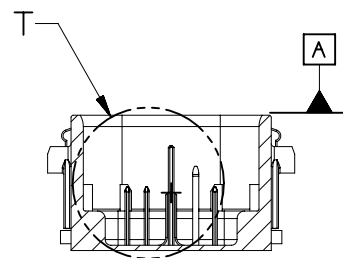
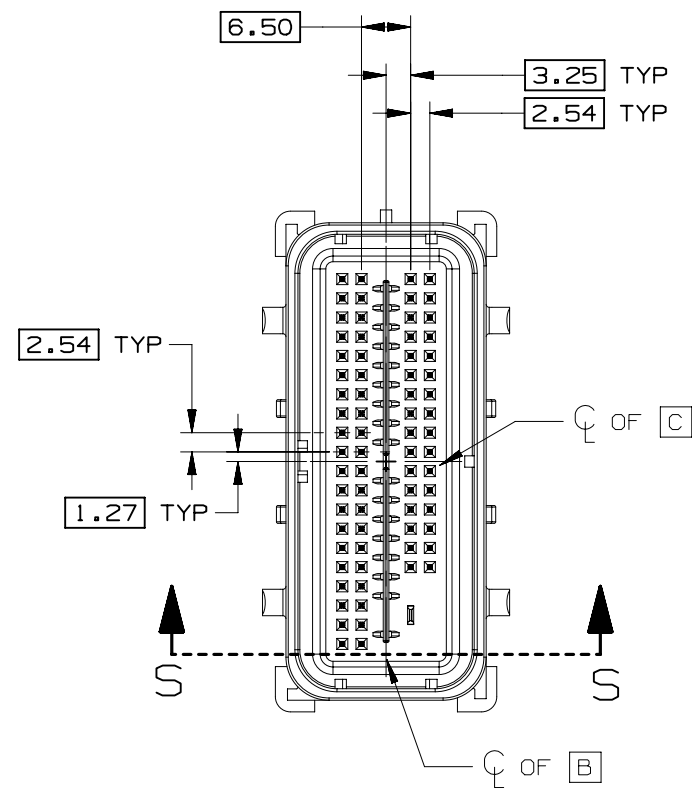
SECTION R-R



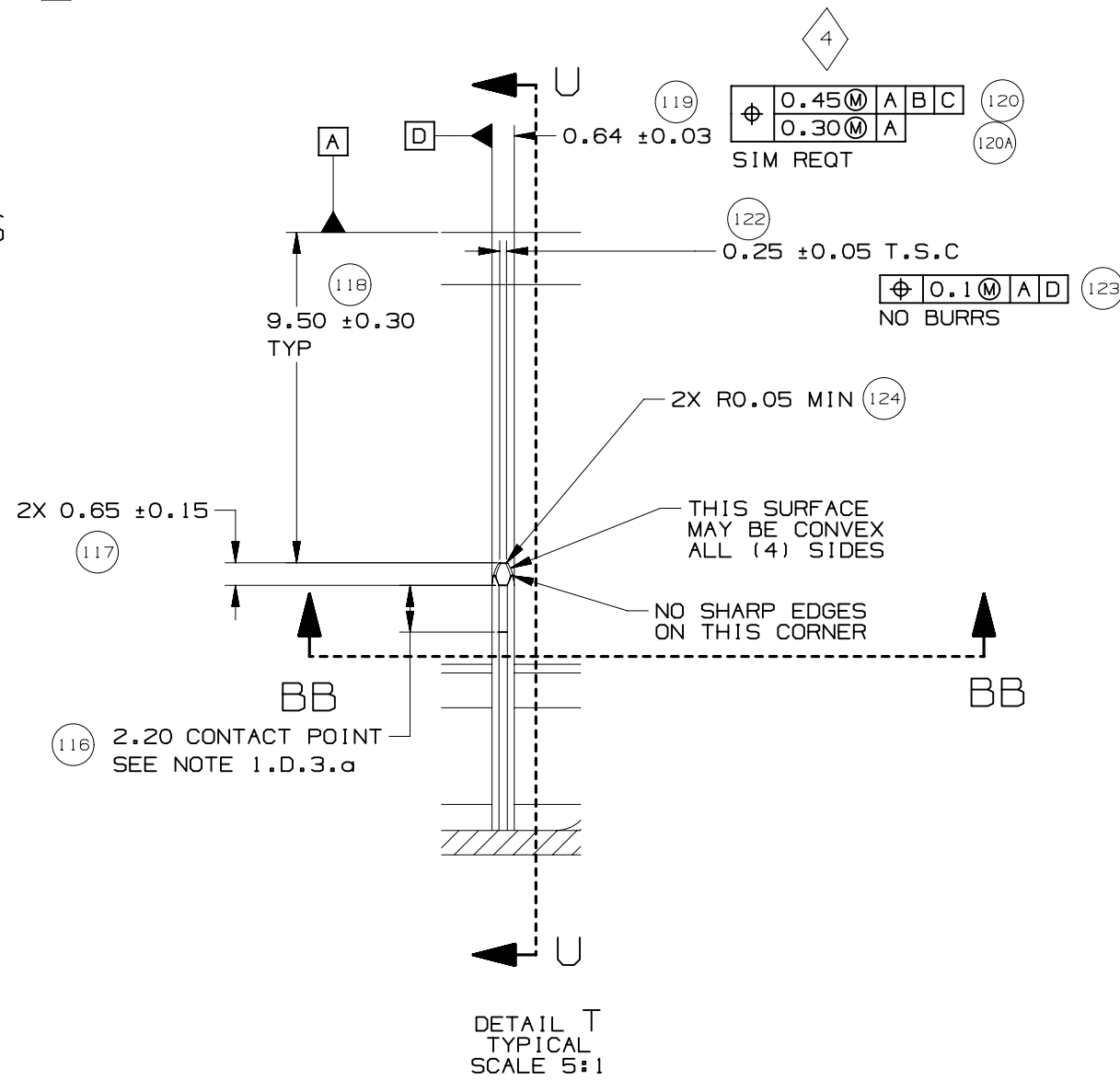
PAGE TITLE  
COMPONENT CONNECTOR INTERFACE

DRAWING NUMBER  
12672833

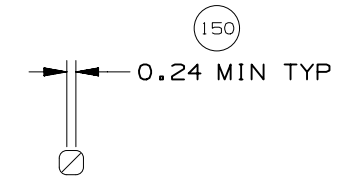
DWG STATUS			PAGE NUMBER	
ST	REV	PD1	19	OF 22
R	001			



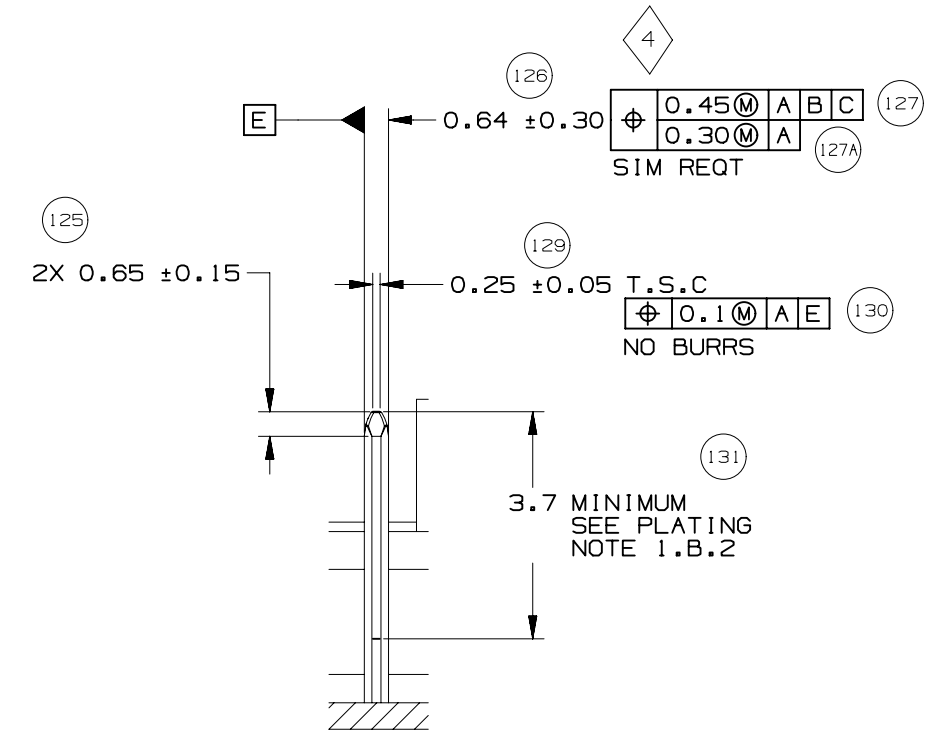
SECTION S-S



DETAIL T  
TYPICAL  
SCALE 5:1

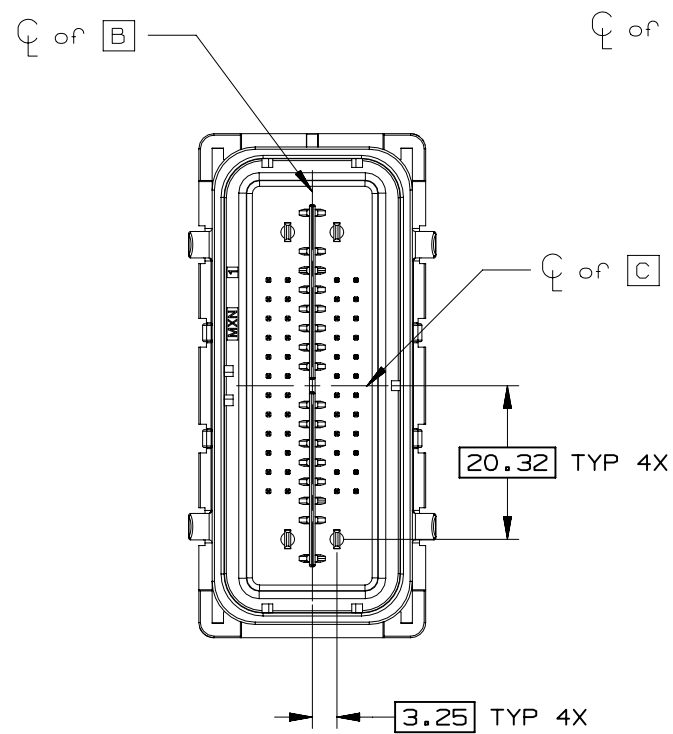


SECTION BB-BB

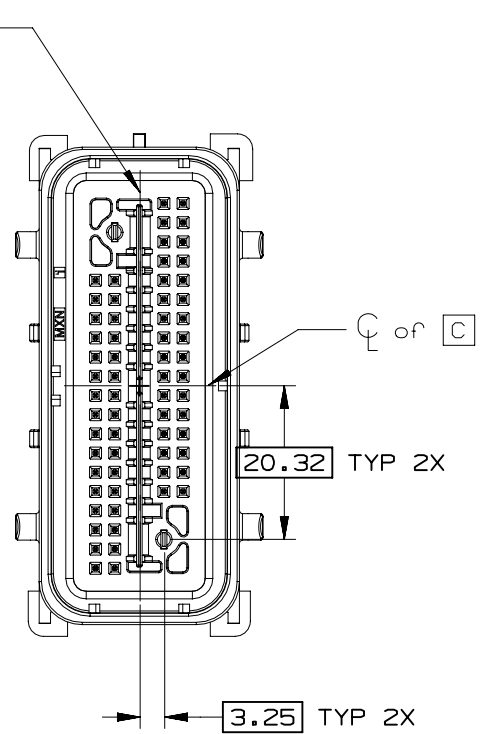


SECTION U-U  
TYPICAL

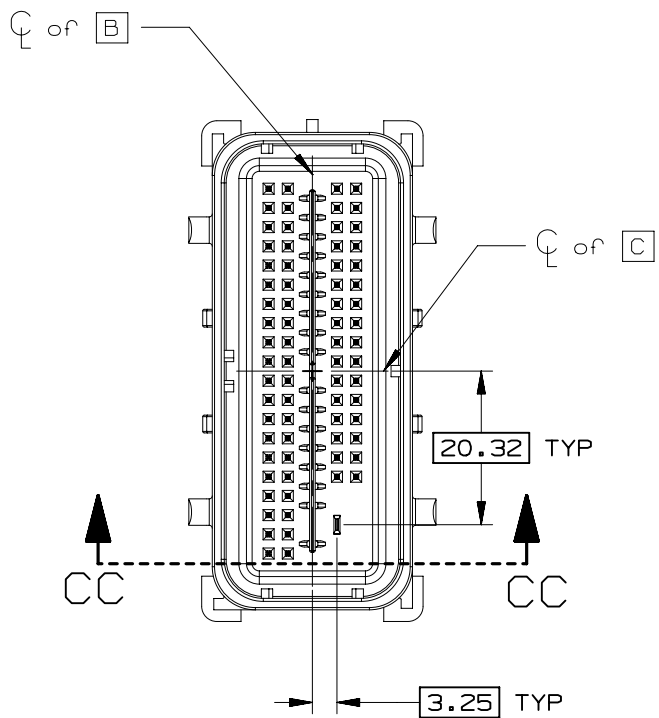




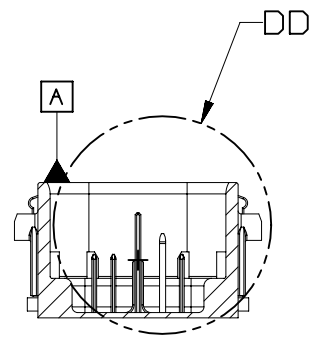
52 CKT COMPONENT  
CONNECTOR INTERFACE



66 CKT COMPONENT  
CONNECTOR INTERFACE

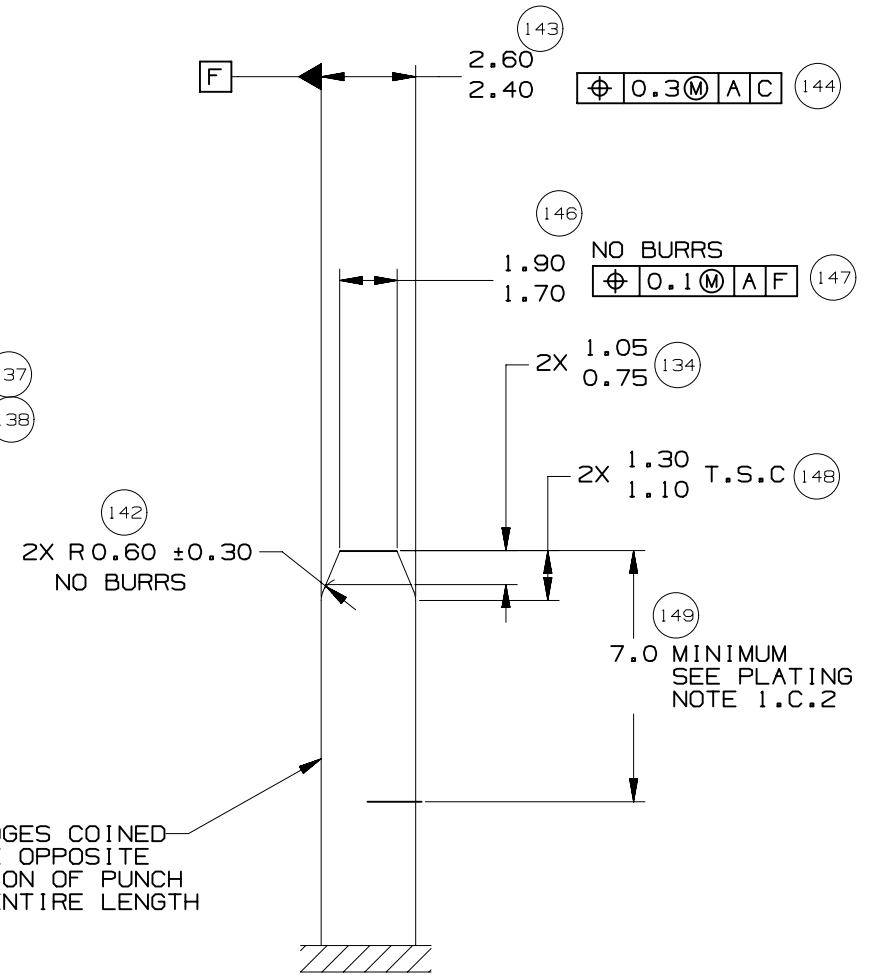
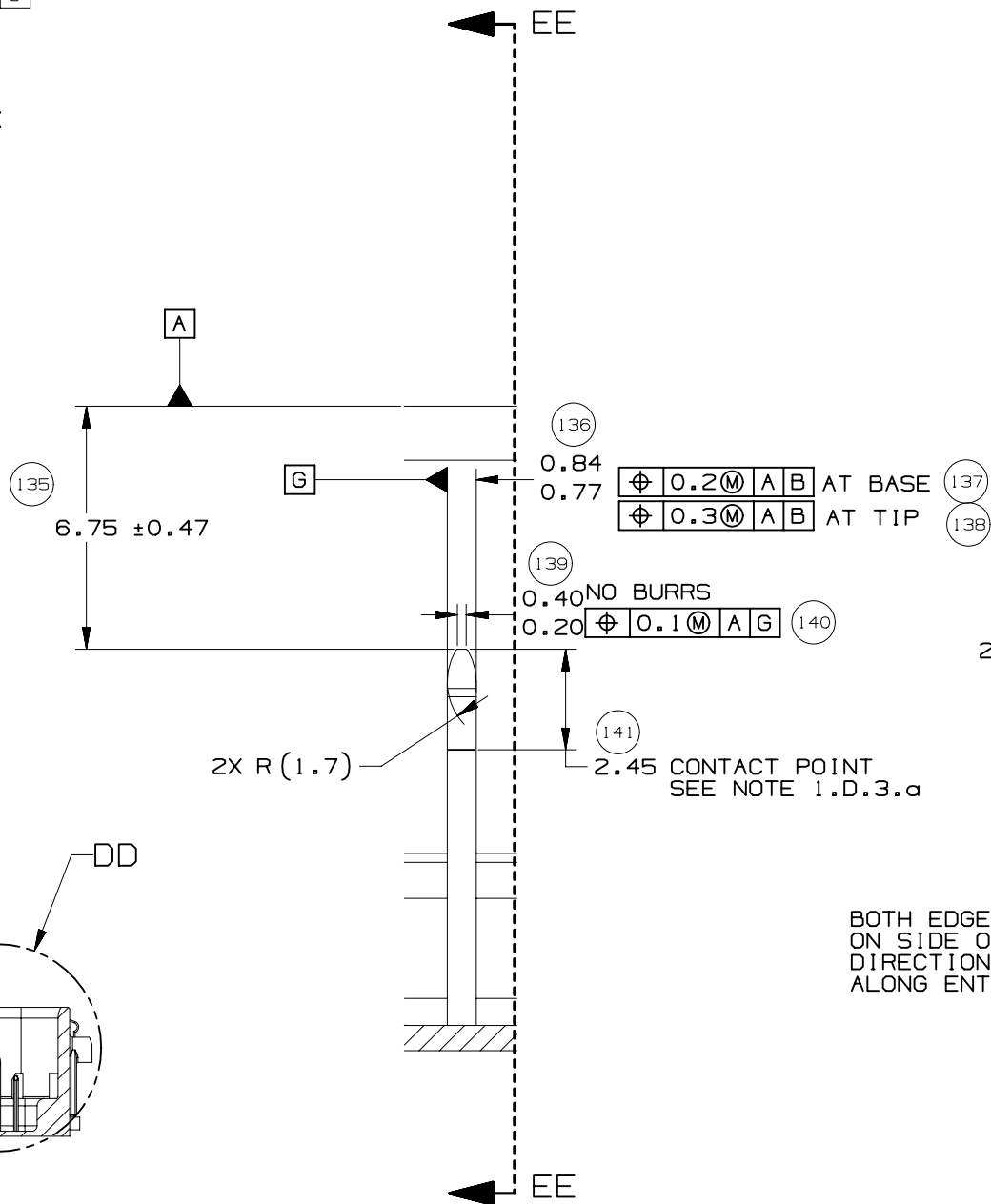


73 CKT COMPONENT  
CONNECTOR INTERFACE



SECTION CC-CC

DETAIL DD  
TYPICAL  
SCALE 5:1



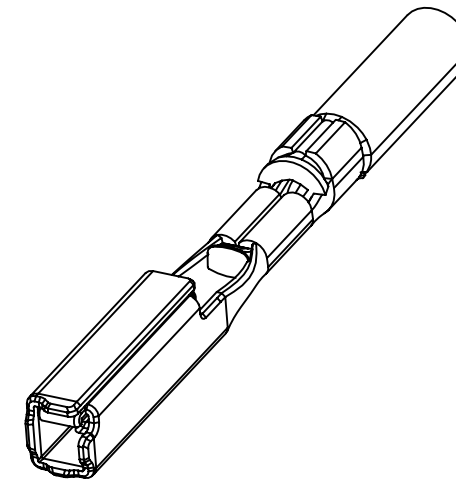
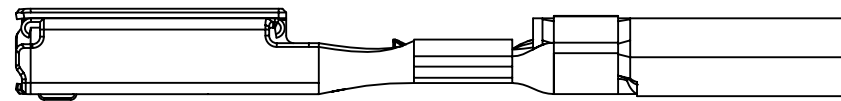
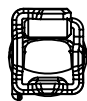
SECTION EE-EE  
TYPICAL

BOTH EDGES COINED  
ON SIDE OPPOSITE  
DIRECTION OF PUNCH  
ALONG ENTIRE LENGTH



MOLEX MX64 RECEPTACLE TERMINAL INFORMATION

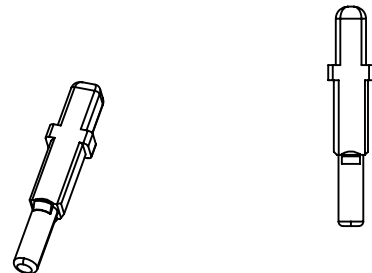
ITEM	MOLEX P/N	GM P/N	WIRE SIZE MM2	TYPE	PLATING	REEL WIND DIRECTION	COMMENTS
1	34736-0025		0.35	ISO	SILVER	LEFT	
2	34736-0026	12672850	0.35	ISO	SILVER	RIGHT	
3	34736-0027		0.5 / 0.75	ISO	SILVER	LEFT	
4	34736-0028	12672851	0.5 / 0.75	ISO	SILVER	RIGHT	



CAVITY PLUGS

ITEM	MFG	MFG P/N	GM P/N RD	SIZE	COLOR	MFG DRAWING	PROD SPEC	APP SPEC	COMMENTS
1	MOLEX	34586-0001	12674820	0.64	NATURAL	SD-34586-001	PS-34566-0000	AS-34566-001	
2	YAZAKI	7158-3114-90	12674821	2.8	BLUE	7158-3114-90	YPES-11-04-062	YPES-15-299	

ITEM 1



ITEM 2

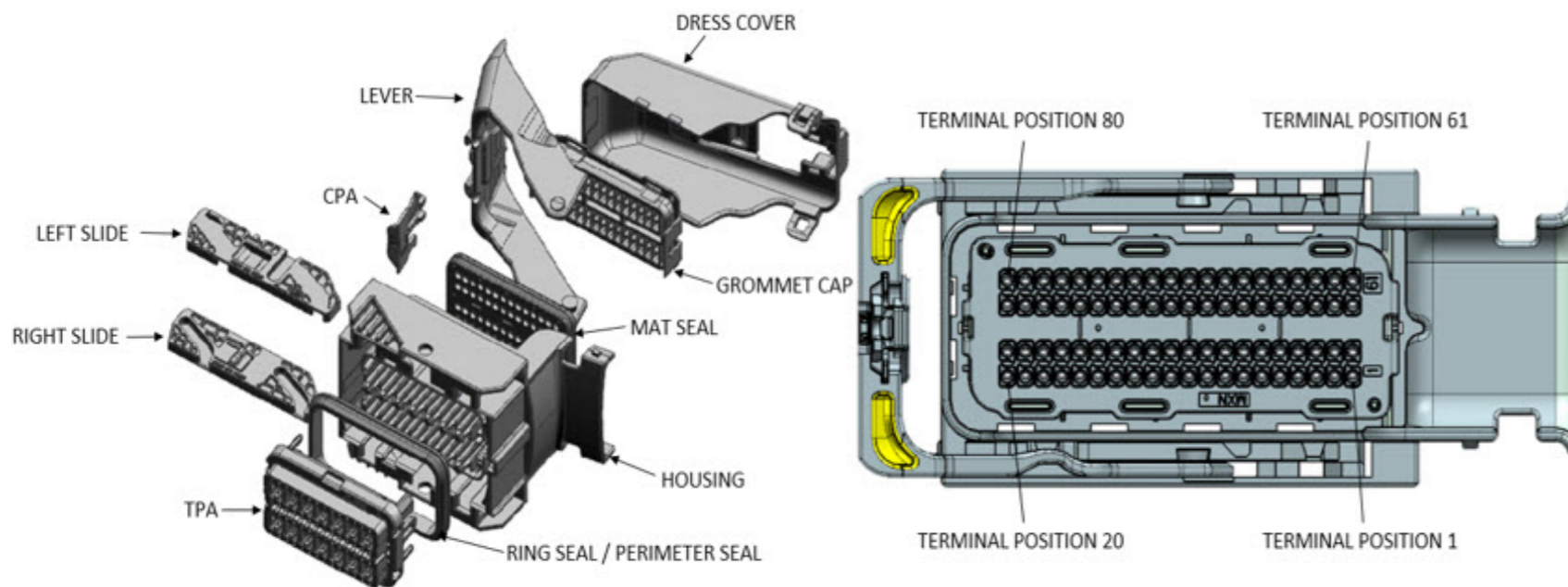


PAGE TITLE  
ADDITIONAL COMPONENTS REQUIRED

DRAWING NUMBER  
12672833

DWG STATUS		
ST	REV	PD1
R	001	

PAGE NUMBER  
22 OF 22



ABBREVIATION	DESCRIPTION	COLOR	MATERIAL
G-CAP-0-P	GROMMET CAP OPTION 0 PLUGGED	BLACK	SPS/PA, G.F 30%
G-CAP-0-O	GROMMET CAP OPTION 0 ALL OPEN	BLACK	SPS/PA, G.F 30%
G-CAP-9-P	GROMMET CAP OPTION 9 PLUGGED	BLACK	SPS/PA, G.F 30%
G-CAP-9-O	GROMMET CAP OPTION 9 ALL OPEN	BLACK	SPS/PA, G.F 30%
C-HSG-G0	CONNECTOR HOUSING KEY G- WDC OPT 0	BLACK	SPS/PA, G.F 30%
C-HSG-H0	CONNECTOR HOUSING KEY H- WDC OPT 0	BLACK	SPS/PA, G.F 30%
C-HSG-J0	CONNECTOR HOUSING KEY J- WDC OPT 0	BLACK	SPS/PA, G.F 30%
C-HSG-K0	CONNECTOR HOUSING KEY K- WDC OPT 0	BLACK	SPS/PA, G.F 30%
C-HSG-L0	CONNECTOR HOUSING KEY L- WDC OPT 0	BLACK	SPS/PA, G.F 30%
C-HSG-M0	CONNECTOR HOUSING KEY M- WDC OPT 0	BLACK	SPS/PA, G.F 30%
C-HSG-G9	CONNECTOR HOUSING KEY G- WDC OPT 9	BLACK	SPS/PA, G.F 30%
C-HSG-H9	CONNECTOR HOUSING KEY H- WDC OPT 9	BLACK	SPS/PA, G.F 30%
C-HSG-J9	CONNECTOR HOUSING KEY J- WDC OPT 9	BLACK	SPS/PA, G.F 30%
C-HSG-K9	CONNECTOR HOUSING KEY K- WDC OPT 9	BLACK	SPS/PA, G.F 30%
C-HSG-L9	CONNECTOR HOUSING KEY L- WDC OPT 9	BLACK	SPS/PA, G.F 30%
C-HSG-M9	CONNECTOR HOUSING KEY M- WDC OPT 9	BLACK	SPS/PA, G.F 30%
TPA-G0	TERMINAL POSITION ASSURANCE (TPA) OPTION 0	BLUE	SPS/PA, G.F 30%
TPA-H0	TERMINAL POSITION ASSURANCE (TPA) OPTION 0	STONE GRAY	SPS/PA, G.F 30%
TPA-J0	TERMINAL POSITION ASSURANCE (TPA) OPTION 0	BLACK	SPS/PA, G.F 30%
TPA-K0	TERMINAL POSITION ASSURANCE (TPA) OPTION 0	BROWN	SPS/PA, G.F 30%
TPA-L0	TERMINAL POSITION ASSURANCE (TPA) OPTION 0	GREEN	SPS/PA, G.F 30%
TPA-M0	TERMINAL POSITION ASSURANCE (TPA) OPTION 0	NATURAL	SPS/PA, G.F 30%
TPA-G9	TERMINAL POSITION ASSURANCE (TPA) OPTION 9	BLUE	SPS/PA, G.F 30%
TPA-H9	TERMINAL POSITION ASSURANCE (TPA) OPTION 9	STONE GRAY	SPS/PA, G.F 30%
TPA-J9	TERMINAL POSITION ASSURANCE (TPA) OPTION 9	BLACK	SPS/PA, G.F 30%
TPA-K9	TERMINAL POSITION ASSURANCE (TPA) OPTION 9	BROWN	SPS/PA, G.F 30%
TPA-L9	TERMINAL POSITION ASSURANCE (TPA) OPTION 9	GREEN	SPS/PA, G.F 30%
TPA-M9	TERMINAL POSITION ASSURANCE (TPA) OPTION 9	NATURAL	SPS/PA, G.F 30%
MAL	MATE ASSIST LEVER	BLACK	SPS/NYLON GF30
RS	SLIDE - RIGHT	BLACK	PBT W/PTFE, G.F. 30%
LS	SLIDE - LEFT	BLACK	PBT W/PTFE, G.F. 30%
CVRBLACK	DRESS COVER BLACK	BLACK	PBT, G.F. 30%
CVRGRAY	DRESS COVER GRAY	GRAY	PBT, G.F. 30%
CVRBLUE	DRESS COVER BLUE	BLUE	PBT, G.F. 30%
CVRBROWN	DRESS COVER BROWN	BROWN	PBT, G.F. 30%
CVRGREEN	DRESS COVER GREEN	GREEN	PBT, G.F. 30%
CVRNATURAL	DRESS COVER NATURAL	NATURAL	PBT, G.F. 30%
CVRYELLOW	DRESS COVER YELLOW	YELLOW	PBT, G.F. 30%
CPA	CONNECTOR POSITION ASSURANCE (CPA)	RED	PPE/PA 10% GF
MSEAL	MAT SEAL	RUST RED	INHERENTLY LUBRICATED SILICONE RUBBER
RSEAL	RING SEAL	RUST RED	INHERENTLY LUBRICATED SILICONE RUBBER

FOR ADDITIONAL INFORMATION SEE SD-34566-001

ASSEMBLY DESCRIPTION	ASSEMBLY PART NUMBER	CONNECTOR HOUSING	GROMMET CAP	TPA	RIGHT SLIDE	LEFT SLIDE	MATE ASSIST LEVER	CPA	MAT SEAL	RING SEAL	BLOCKED TERMINALS																				STATUS	COMMENTS	INTEGRAL COMPONENTS SOLD SEPARATELY DRESS COVER
											CAVITY WITH A NUMBER INDICATES BLOCKED TERMINAL POSITION CAVITY WITHOUT A NUMBER INDICATES OPEN TERMINAL POSITION																						
											60	61	62	63	64	65	66	67	68	69	70	71	72	73	74	75	76	77	78	79			
MX123 CONN ASSY 80 CKT BLU OPT0 KEY G/40	345660014	C-HSG-G0	G-CAP-0-P	TPA-G0	RS	LS	MAL	CPA	MSEAL	RSEAL	-	-	-	-	76	-	74	73	72	71	70	69	68	67	-	-	-	63	-	61	SALEABLE		345650003
MX123 CONN ASSY 80 CKT BLU OPT0 KEY G/0	345660024	C-HSG-G0	G-CAP-0-P	TPA-G0	RS	LS	MAL	CPA	MSEAL	RSEAL	80	79	78	77	76	75	74	73	72	71	70	69	68	67	66	65	64	63	62	61	SALEABLE		345650003
MX123 CONN ASSY 80 CKT BLU OPT0 KEY G/39	345660034	C-HSG-G0	G-CAP-0-P	TPA-G0	RS	LS	MAL	CPA	MSEAL	RSEAL	-	-	-	77	76	-	74	73	72	71	70	69	68	67	-	-	-	63	-	61	SALEABLE		345650003
MX123 CONN ASSY 80 CKT BLU OPT0 KEY G/39	345660054	C-HSG-G0	G-CAP-0-P	TPA-G0	RS	LS	MAL	CPA	MSEAL	RSEAL	-	-	-	-	76	-	74	73	72	71	70	69	68	67	-	-	-	63	-	61	SALEABLE		345650003

ASSEMBLY DESCRIPTION	ASSEMBLY PART NUMBER	CONNECTOR HOUSING	GROMMET CAP	TPA	RIGHT SLIDE	LEFT SLIDE	MATE ASSIST LEVER	CPA	MAT SEAL	RING SEAL	BLOCKED TERMINALS																				STATUS	COMMENTS	INTEGRAL COMPONENTS SOLD SEPARATELY DRESS COVER
											CAVITY WITH A NUMBER INDICATES BLOCKED TERMINAL POSITION CAVITY WITHOUT A NUMBER INDICATES OPEN TERMINAL POSITION																						
											-	-	-	-	76	-	74	73	72	71	70	69	68	67	-	-	-	63	-	61			
MX123 CONN ASSY 80 CKT BLU OPT0 KEY G/42	345660164	C-HSG-G0	G-CAP-0-P	TPA-G0	RS	LS	MAL	CPA	MSEAL	RSEAL	60	-	58	-	56	55	54	-	52	51	50	49	48	47	-	45	-	-	-	-	SALEABLE		345650003
MX123 CONN ASSY 80 CKT GRY OPT0 KEY H/5	345660414	C-HSG-H0	G-CAP-0-P	TPA-H0	RS	LS	MAL	CPA	MSEAL	RSEAL	80	79	78	77	76	75	74	73	72	71	70	69	68	67	66	65	64	63	62	61	SALEABLE		345650003
MX123 CONN ASSY 80 CKT GRY OPT0 KEY H/45	345660424	C-HSG-H0	G-CAP-0-P	TPA-H0	RS	LS	MAL	CPA	MSEAL	RSEAL	80	79	78	77	76	-	-	-	-	71	70	-	-	67	66	-	-	63	-	-	SALEABLE		345650003
MX123 CONN ASSY 80 CKT BLU OPT0 KEY G/10	345660434	C-HSG-G0	G-CAP-0-P	TPA-G0	RS	LS	MAL	CPA	MSEAL	RSEAL	80	79	78	77	76	75	74	73	72	71	70	69	68	67	66	65	64	-	62	-	SALEABLE		345650003
MX123 CONN ASSY 80 CKT BLU OPT0 KEY G/53	345660444	C-HSG-G0	G-CAP-0-P	TPA-G0	RS	LS	MAL	CPA	MSEAL	RSEAL	-	-	-	-	76	-	-	73	-	71	-	-	-	-	-	-	64	-	-	-	SALEABLE		345650003
MX123 CONN ASSY 80 CKT GRY OPT9 KEY H/7	345660454	C-HSG-H9	G-CAP-9-P	TPA-H9	RS	LS	MAL	CPA	MSEAL	RSEAL	80	79	78	77	76	75	74	73	72	71	70	69	68	67	66	65	64	63	62	61	SALEABLE		345650003
MX123 CONN ASSY 80 CKT GRY OPT0 KEY H/62	345660464	C-HSG-H0	G-CAP-0-P	TPA-H0	RS	LS	MAL	CPA	MSEAL	RSEAL	-	-	-	-	-	-	-	-	-	-	-	-	-	-	-	-	-	-	-	-	SALEABLE		345650003
MX123 CONN ASSY 80 CKT BLU OPT9 KEY G/54	345660474	C-HSG-G9	G-CAP-9-P	TPA-G9	RS	LS	MAL	CPA	MSEAL	RSEAL	-	-	-	-	76	-	-	73	-	71	-	-	-	-	-	-	64	-	-	-	SALEABLE		345650003
MX123 CONN ASSY 80 CKT BLU OPT0 KEY G/44	345660494	C-HSG-G0	G-CAP-0-P	TPA-G0	RS	LS	MAL	CPA	MSEAL	RSEAL	-	-	-	-	76	-	74	73	72	71	70	69	68	67	-	-	-	63	-	61	SALEABLE		345650003
MX123 CONN ASSY 80 CKT BLU OPT0 KEY G/43	345660504	C-HSG-G0	G-CAP-0-P	TPA-G0	RS	LS	MAL	CPA	MSEAL	RSEAL	-	-	-	-	76	-	74	73	72	71	70	69	68	67	-	-	-	63	-	61	SALEABLE		345650003
MX123 CONN ASSY 80 CKT GRY OPT0 KEY H/7	345660554	C-HSG-H0	G-CAP-0-P	TPA-H0	RS	LS	MAL	CPA	MSEAL	RSEAL	80	79	78	77	76	75	74	73	72	71	70	69	68	67	66	65	64	63	62	61	SALEABLE		345650003
MX123 CONN ASSY 80 CKT GRY OPT0 KEY H/39	345660564	C-HSG-H0	G-CAP-0-P	TPA-H0	RS	LS	MAL	CPA	MSEAL	RSEAL	80	79	-	-	-	-	-	-	-	-	-	-	-	-	66	-	64	-	-	-	SALEABLE		345650003



ASSEMBLY DESCRIPTION	ASSEMBLY PART NUMBER	CONNECTOR HOUSING	GROMMET CAP	TPA	RIGHT SLIDE	LEFT SLIDE	MATE ASSIST LEVER	CPA	MAT SEAL	RING SEAL	BLOCKED TERMINALS																				STATUS	COMMENTS	INTEGRAL COMPONENTS SOLD SEPARATELY DRESS COVER
											CAVITY WITH A NUMBER INDICATES BLOCKED TERMINAL POSITION CAVITY WITHOUT A NUMBER INDICATES OPEN TERMINAL POSITION																						
											1	2	3	4	5	6	7	8	9	10	11	12	13	14	15	16	17	18	19	20			
MX123 CONN ASSY 80 CKT BLU OPT0 KEY G/43	345660574	C-HSG-G0	G-CAP-0-P	TPA-G0	RS	LS	MAL	CPA	MSEAL	RSEAL	-	-	-	-	-	-	74	73	72	71	-	69	-	-	-	-	64	63	-	61	SALEABLE		345650003
MX123 CONN ASSY 80 CKT BLU OPT9 KEY G/69	345660584	C-HSG-G9	G-CAP-9-P	TPA-G9	RS	LS	MAL	CPA	MSEAL	RSEAL	-	-	-	-	-	-	-	-	-	-	-	-	-	-	-	-	64	-	-	-	SALEABLE		345650003
MX123 CONN ASSY 80 CKT GRY OPT9 KEY H/50	345660594	C-HSG-H9	G-CAP-9-P	TPA-H9	RS	LS	MAL	CPA	MSEAL	RSEAL	80	79	78	77	76	-	-	-	-	71	70	-	-	-	66	-	-	63	-	-	SALEABLE		345650003
MX123 CONN ASSY 80 CKT BLU OPT9 KEY G/58	345660614	C-HSG-G9	G-CAP-9-P	TPA-G9	RS	LS	MAL	CPA	MSEAL	RSEAL	-	-	-	-	76	-	-	73	-	71	-	69	-	-	66	-	64	-	-	-	SALEABLE		345650003
MX123 CONN ASSY 80 CKT BLU OPT9 KEY G/32	345660644	C-HSG-G9	G-CAP-9-P	TPA-G9	RS	LS	MAL	CPA	MSEAL	RSEAL	-	-	-	-	76	-	74	73	72	71	70	69	68	67	-	-	-	63	62	61	SALEABLE		345650003
MX123 CONN ASSY 80 CKT BLU OPT9 KEY G/26	345660664	C-HSG-G9	G-CAP-9-P	TPA-G9	RS	LS	MAL	CPA	MSEAL	RSEAL	-	-	-	77	76	-	74	73	72	71	70	69	68	67	66	65	64	63	62	61	SALEABLE		345650003
MX123 CONN ASSY 80 CKT GRY OPT9 KEY H/43	345660684	C-HSG-H9	G-CAP-9-P	TPA-H9	RS	LS	MAL	CPA	MSEAL	RSEAL	-	79	78	77	76	-	-	-	-	71	70	-	-	67	66	-	-	63	-	-	SALEABLE		345650003
MX123 CONN ASSY 80 CKT BLU OPT0 KEY G/41	345660694	C-HSG-G0	G-CAP-0-P	TPA-G0	RS	LS	MAL	CPA	MSEAL	RSEAL	80	79	78	-	76	75	74	73	-	-	70	69	68	67	-	65	64	-	-	-	SALEABLE		345650003
MX123 CONN ASSY 80 CKT BLU OPT0 KEY G/80	345660703	C-HSG-G0	G-CAP-0-P	TPA-G0	RS	LS	MAL	CPA	MSEAL	RSEAL	-	-	-	-	-	-	-	-	-	-	-	-	-	-	-	-	-	-	-	-	SALEABLE		345650003
MX123 CONN ASSY 80 CKT GRY OPT0 KEY H/33	345660704	C-HSG-H0	G-CAP-0-P	TPA-H0	RS	LS	MAL	CPA	MSEAL	RSEAL	80	-	-	-	-	75	-	73	72	71	70	69	68	67	66	65	64	63	62	61	SALEABLE		345650003
MX123 CONN ASSY 80 CKT BLU OPT0 KEY G/34	345660714	C-HSG-G0	G-CAP-0-P	TPA-G0	RS	LS	MAL	CPA	MSEAL	RSEAL	-	-	78	77	76	75	74	73	72	71	70	69	68	67	66	65	64	63	62	61	SALEABLE		345650003
MX123 CONN ASSY 80 CKT GRY OPT0 KEY H/80	345660803	C-HSG-H0	G-CAP-0-P	TPA-H0	RS	LS	MAL	CPA	MSEAL	RSEAL	-	-	-	-	-	-	-	-	-	-	-	-	-	-	-	-	-	-	-	-	SALEABLE		345650003









ASSEMBLY DESCRIPTION	ASSEMBLY PART NUMBER	CONNECTOR HOUSING	GROMMET CAP	TPA	RIGHT SLIDE	LEFT SLIDE	MATE ASSIST LEVER	CPA	MAT SEAL	RING SEAL	BLOCKED TERMINALS																				STATUS	COMMENTS	INTEGRAL COMPONENTS SOLD SEPARATELY DRESS COVER
											CAVITY WITH A NUMBER INDICATES BLOCKED TERMINAL POSITION CAVITY WITHOUT A NUMBER INDICATES OPEN TERMINAL POSITION																						
											-	-	-	77	76	-	74	73	72	-	-	69	68	-	66	65	64	63	62	61			
MX123 CONN ASSY 80 CKT BLU OPT9 KEY G/49	345667623	C-HSG-G9	G-CAP-9-P	TPA-G9	RS	LS	MAL	CPA	MSEAL	RSEAL	-	-	-	77	76	-	74	73	72	-	-	69	68	-	66	65	64	63	62	61	SALEABLE		345650003
MX123 CONN ASSY 80 CKT BLU OPT9 KEY G/50	345667913	C-HSG-G9	G-CAP-9-P	TPA-G9	RS	LS	MAL	CPA	MSEAL	RSEAL	-	-	-	77	76	-	74	73	72	-	-	69	68	-	66	65	64	63	62	-	SALEABLE		345650003
MX123 CONN ASSY 80 CKT GRY OPT0 KEY H/33	345668103	C-HSG-H0	G-CAP-0-P	TPA-H0	RS	LS	MAL	CPA	MSEAL	RSEAL	80	79	-	77	76	75	74	73	-	-	-	-	-	67	-	-	-	-	62	-	SALEABLE		345650003
MX123 CONN ASSY 80 CKT BLU OPT0 KEY G/32	345668123	C-HSG-G0	G-CAP-0-P	TPA-G0	RS	LS	MAL	CPA	MSEAL	RSEAL	-	-	78	77	76	75	74	-	-	71	-	-	-	-	-	-	-	63	-	-	SALEABLE		345650003
MX123 CONN ASSY 80 CKT BLU OPT0 KEY G/49	345668133	C-HSG-G0	G-CAP-0-P	TPA-G0	RS	LS	MAL	CPA	MSEAL	RSEAL	-	-	-	-	76	-	74	73	-	-	-	-	-	67	-	65	64	63	62	61	SALEABLE		345650003
MX123 CONN ASSY 80 CKT BLU OPT0 KEY G/78	345668143	C-HSG-G0	G-CAP-0-P	TPA-G0	RS	LS	MAL	CPA	MSEAL	RSEAL	-	-	-	-	-	-	-	-	-	71	-	-	-	-	-	-	-	-	-	-	SALEABLE		345650003
MX123 CONN ASSY 80 CKT GRY OPT9 KEY H/2	345668183	C-HSG-H9	G-CAP-9-P	TPA-H9	RS	LS	MAL	CPA	MSEAL	RSEAL	80	79	78	77	76	75	74	73	72	-	70	69	68	67	66	65	64	63	62	61	SALEABLE		345650003
MX123 CONN ASSY 80 CKT BLU OPT0 KEY G/45	345668193	C-HSG-G0	G-CAP-0-P	TPA-G0	RS	LS	MAL	CPA	MSEAL	RSEAL	80	-	-	-	-	-	-	73	72	-	70	69	68	-	66	-	64	-	62	61	SALEABLE		345650003
MX123 CONN ASSY 80 CKT GRY OPT0 KEY H/30	345668213	C-HSG-H0	G-CAP-0-P	TPA-H0	RS	LS	MAL	CPA	MSEAL	RSEAL	80	79	78	77	76	75	-	-	72	71	70	69	68	-	66	-	-	-	-	-	SALEABLE		345650003
MX123 CONN ASSY 80 CKT BLU OPT9 KEY G/45	345668233	C-HSG-G9	G-CAP-9-P	TPA-G9	RS	LS	MAL	CPA	MSEAL	RSEAL	80	79	78	-	-	-	-	-	71	-	-	-	67	-	-	-	-	-	-	SALEABLE		345650003	
MX123 CONN ASSY 80 CKT BLU OPT9 KEY G/43	345668243	C-HSG-G9	G-CAP-9-P	TPA-G9	RS	LS	MAL	CPA	MSEAL	RSEAL	80	79	78	-	76	-	-	-	-	71	-	-	-	67	-	-	-	-	-	-	SALEABLE		345650003
MX123 CONN ASSY 80 CKT BLU OPT9 KEY G/43	345668253	C-HSG-G9	G-CAP-9-P	TPA-G9	RS	LS	MAL	CPA	MSEAL	RSEAL	80	79	78	-	-	-	-	-	71	-	-	-	67	-	-	-	-	-	-	SALEABLE		345650003	

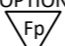
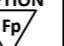

ASSEMBLY DESCRIPTION	ASSEMBLY PART NUMBER	CONNECTOR HOUSING	GROMMET CAP	TPA	RIGHT SLIDE	LEFT SLIDE	MATE ASSIST LEVER	CPA	MAT SEAL	RING SEAL	BLOCKED TERMINALS																		STATUS	COMMENTS	INTEGRAL COMPONENTS SOLD SEPARATELY DRESS COVER			
											CAVITY WITH A NUMBER INDICATES BLOCKED TERMINAL POSITION CAVITY WITHOUT A NUMBER INDICATES OPEN TERMINAL POSITION																							
											80	79	78	-	76	-	-	-	-	-	71	-	-	-	67	-	-	-			-	-	61	
MX123 CONN ASSY 80 CKT BLU OPT9 KEY G/41	345668263	C-HSG-G9	G-CAP-9-P	TPA-G9	RS	LS	MAL	CPA	MSEAL	RSEAL	80	79	78	-	76	-	-	-	-	71	-	-	-	67	-	-	-	-	-	-	61	SALEABLE		345650003
MX123 CONN ASSY 80 CKT BLU OPT9 KEY G/35	345668273	C-HSG-G9	G-CAP-9-P	TPA-G9	RS	LS	MAL	CPA	MSEAL	RSEAL	-	-	-	77	76	75	74	73	72	-	70	69	68	-	66	65	64	63	62	61	SALEABLE		345650003	
MX123 CONN ASSY 80 CKT BLU OPT9 KEY G/37	345668283	C-HSG-G9	G-CAP-9-P	TPA-G9	RS	LS	MAL	CPA	MSEAL	RSEAL	-	-	-	77	-	75	74	73	72	-	70	69	68	-	66	65	64	63	62	61	SALEABLE		345650003	
MX123 CONN ASSY 80 CKT GRY OPT0 KEY H/13	345668433	C-HSG-H0	G-CAP-0-P	TPA-H0	RS	LS	MAL	CPA	MSEAL	RSEAL	80	-	-	-	-	-	-	-	72	71	70	-	68	67	66	65	64	63	62	-	SALEABLE		345650003	
MX123 CONN ASSY 80 CKT GRY OPT0 KEY H/31	345668903	C-HSG-H0	G-CAP-0-P	TPA-H0	RS	LS	MAL	CPA	MSEAL	RSEAL	80	79	-	77	76	75	74	73	72	-	-	-	-	-	-	-	-	-	62	-	SALEABLE		345650003	
MX123 CONN ASSY 80 CKT BLU OPT0 KEY G/42	345669123	C-HSG-G0	G-CAP-0-P	TPA-G0	RS	LS	MAL	CPA	MSEAL	RSEAL	80	79	-	-	-	-	-	73	-	71	-	69	68	67	66	65	-	-	62	61	SALEABLE		345650003	
MX123 CONN ASSY 80 CKT BLU OPT9 KEY G/36	345669283	C-HSG-G9	G-CAP-9-P	TPA-G9	RS	LS	MAL	CPA	MSEAL	RSEAL	-	-	-	77	76	75	74	73	72	-	70	69	68	-	66	65	64	63	62	61	SALEABLE		345650003	
MX123 CONN ASSY 80 CKT BLU OPT9 KEY G/38	345669293	C-HSG-G9	G-CAP-9-P	TPA-G9	RS	LS	MAL	CPA	MSEAL	RSEAL	-	-	-	77	76	75	74	73	72	-	70	69	68	-	66	65	64	63	62	61	SALEABLE		345650003	
MX123 CONN ASSY 80 CKT BLU OPT9 KEY G/10	345669373	C-HSG-G9	G-CAP-9-P	TPA-G9	RS	LS	MAL	CPA	MSEAL	RSEAL	-	79	78	77	76	75	74	73	72	-	70	69	68	67	-	65	-	63	62	61	SALEABLE		345650003	
MX123 CONN ASSY 80 CKT GRY OPT9 KEY H/0	345669413	C-HSG-H9	G-CAP-9-P	TPA-H9	RS	LS	MAL	CPA	MSEAL	RSEAL	80	79	78	77	76	75	74	73	72	71	70	69	68	67	66	65	64	63	62	61	SALEABLE		345650003	
MX123 CONN ASSY 80 CKT BLU OPT0 KEY G/34	345669463	C-HSG-G0	G-CAP-0-P	TPA-G0	RS	LS	MAL	CPA	MSEAL	RSEAL	-	-	-	77	76	-	74	73	72	71	70	69	68	67	-	-	-	63	62	61	SALEABLE		345650003	
MX123 CONN ASSY 80 CKT BLU OPT0 KEY G/36	345669473	C-HSG-G0	G-CAP-0-P	TPA-G0	RS	LS	MAL	CPA	MSEAL	RSEAL	-	-	-	77	76	-	74	73	72	71	70	69	68	67	-	-	-	63	-	61	SALEABLE		345650003	

ASSEMBLY DESCRIPTION	ASSEMBLY PART NUMBER	CONNECTOR HOUSING	GROMMET CAP	TPA	RIGHT SLIDE	LEFT SLIDE	MATE ASSIST LEVER	CPA	MAT SEAL	RING SEAL	BLOCKED TERMINALS																			STATUS	COMMENTS	INTEGRAL COMPONENTS SOLD SEPARATELY DRESS COVER	
											CAVITY WITH A NUMBER INDICATES BLOCKED TERMINAL POSITION CAVITY WITHOUT A NUMBER INDICATES OPEN TERMINAL POSITION																						
											-	-	-	77	76	-	74	73	72	71	70	69	68	67	-	-	-	63	62				61
MX123 CONN ASSY 80 CKT BLU OPT0 KEY G/33	345669483	C-HSG-G0	G-CAP-0-P	TPA-G0	RS	LS	MAL	CPA	MSEAL	RSEAL	-	-	-	77	76	-	74	73	72	71	70	69	68	67	-	-	-	63	62	61	SALEABLE		345650003
											60	59	58	57	56	55	54	53	52	51	50	49	48	47	-	45	44	-	-	-			
											40	-	-	-	36	-	34	33	32	31	-	29	28	27	-	-	-	23	-	-			
											-	19	-	-	-	15	14	13	-	11	10	9	-	-	-	-	4	-	-	-			
MX123 CONN ASSY 80 CKT BLU OPT0 KEY G/33	345669493	C-HSG-G0	G-CAP-0-P	TPA-G0	RS	LS	MAL	CPA	MSEAL	RSEAL	-	-	-	77	76	-	74	73	72	71	70	69	68	67	-	-	64	63	62	61	SALEABLE		345650003
											60	-	58	57	56	55	54	53	52	51	50	49	48	47	-	45	44	-	-	-			
											40	-	-	-	36	-	34	33	32	31	-	29	28	27	-	-	-	23	-	-			
											-	19	-	-	-	15	14	13	-	11	10	9	-	-	-	-	4	-	-	-			
MX123 CONN ASSY 80 CKT BLU OPT0 KEY G/59	345669513	C-HSG-G0	G-CAP-0-P	TPA-G0	RS	LS	MAL	CPA	MSEAL	RSEAL	-	-	-	-	-	-	-	-	-	-	-	-	-	-	-	-	-	-	-	-	SALEABLE		345650003
											-	-	-	-	-	-	-	-	-	-	-	-	-	47	-	45	44	-	-	-			
											40	-	-	-	36	-	34	33	32	31	-	29	28	27	-	-	-	23	-	-			
											-	19	-	-	-	15	14	13	-	11	10	9	-	-	-	-	4	-	-	-			
MX123 CONN ASSY 80 CKT BLU OPT0 KEY G/37	345669523	C-HSG-G0	G-CAP-0-P	TPA-G0	RS	LS	MAL	CPA	MSEAL	RSEAL	-	-	-	77	76	-	74	73	72	71	70	69	68	67	-	-	-	63	-	61	SALEABLE		345650003
											60	-	58	-	56	55	54	-	52	51	50	49	48	47	-	45	44	-	-	-			
											40	-	-	-	36	-	34	-	32	31	-	29	28	27	-	-	-	23	-	-			
											-	19	-	-	-	15	14	13	12	11	10	9	-	-	-	-	4	-	-	-			
MX123 CONN ASSY 80 CKT BLU OPT9 KEY G/8	345669653	C-HSG-G9	G-CAP-9-P	TPA-G9	RS	LS	MAL	CPA	MSEAL	RSEAL	-	79	78	77	76	75	74	73	72	71	70	69	68	67	-	-	64	63	62	61	SALEABLE		345650003
											60	-	58	-	56	55	54	53	52	51	50	49	48	47	46	45	44	43	42	41			
											40	-	38	37	36	35	34	33	32	31	-	29	28	27	26	25	24	23	22	21			
											-	19	18	17	16	15	14	13	12	11	10	9	8	7	6	5	4	3	2	1			
MX123 CONN ASSY 80 CKT BLU OPT0 KEY G/35	345669763	C-HSG-G0	G-CAP-0-P	TPA-G0	RS	LS	MAL	CPA	MSEAL	RSEAL	80	79	-	-	-	75	74	73	72	71	70	69	68	-	-	-	64	63	62	61	SALEABLE		345650003
											60	59	58	57	56	-	54	53	52	51	50	49	48	-	46	-	44	43	42	41			
											-	-	-	-	-	-	-	-	-	31	30	-	-	27	-	-	24	23	-	-			
											-	-	-	-	-	-	-	-	-	11	10	9	8	7	6	5	4	-	2	-			





MX123 52/66/73/80-WAY RECEPTACLE ASSY SEALED PIN OUT SHEET

STATUS	GM PART #	HRNS CONN ASSY			TPA	GROMMET CAP																																																																						
		MATERIAL/PART	WIRE DRESS OPTION	KEY OPTION	COLOR	NUMBERS INDICATE CAVITIES OPEN FOR CIRCUITS																																																																						
		NUMBER																																																																										
TOOL DES. REL.	12672852	160094-0001	0	A	BLACK	<table border="1"> <tr> <td>52</td> <td>14</td><td>13</td><td>12</td><td>11</td><td>10</td><td>9</td><td>8</td><td>7</td><td>6</td><td>5</td><td>4</td><td>3</td> <td>2</td> </tr> <tr> <td></td> <td>26</td><td>25</td><td>24</td><td>23</td><td>22</td><td>21</td><td>20</td><td>19</td><td>18</td><td>17</td><td>16</td><td>15</td> <td></td> </tr> <tr> <td>51</td> <td>38</td><td>37</td><td>36</td><td>35</td><td>34</td><td>33</td><td>32</td><td>31</td><td>30</td><td>29</td><td>28</td><td>27</td> <td>1</td> </tr> <tr> <td></td> <td>50</td><td>49</td><td>48</td><td>47</td><td>46</td><td>45</td><td>44</td><td>43</td><td>42</td><td>41</td><td>40</td><td>39</td> <td></td> </tr> </table>															52	14	13	12	11	10	9	8	7	6	5	4	3	2		26	25	24	23	22	21	20	19	18	17	16	15		51	38	37	36	35	34	33	32	31	30	29	28	27	1		50	49	48	47	46	45	44	43	42	41	40	39	
52	14	13	12	11	10																9	8	7	6	5	4	3	2																																																
	26	25	24	23	22																21	20	19	18	17	16	15																																																	
51	38	37	36	35	34																33	32	31	30	29	28	27	1																																																
	50	49	48	47	46																45	44	43	42	41	40	39																																																	
TOOL DES. REL.	N/A	160094-0002	0	B	ST GRY																																																																							
TOOL DES. REL.	12672854	160094-0003	0	C	BLUE																																																																							
TOOL DES. REL.	N/A	160094-0004	0	D	BROWN																																																																							
TOOL DES. REL.	N/A	160094-0005	0	E	GREEN																																																																							
TOOL DES. REL.	N/A	160094-0006	0	F	NATURAL																																																																							
TOOL DES. REL.	12672853	160094-0013	9	A	BLACK	<table border="1"> <tr> <td>52</td> <td>14</td><td>13</td><td>12</td><td>11</td><td>10</td><td>9</td><td>8</td><td>7</td><td>6</td><td>5</td><td>4</td><td>3</td> <td>2</td> </tr> <tr> <td></td> <td>26</td><td>25</td><td>24</td><td>23</td><td>22</td><td>21</td><td>20</td><td>19</td><td>18</td><td>17</td><td>16</td><td>15</td> <td></td> </tr> <tr> <td>51</td> <td>38</td><td>37</td><td>36</td><td>35</td><td>34</td><td>33</td><td>32</td><td>31</td><td>30</td><td>29</td><td>28</td><td>27</td> <td>1</td> </tr> <tr> <td></td> <td>50</td><td>49</td><td>48</td><td>47</td><td>46</td><td>45</td><td>44</td><td>43</td><td>42</td><td>41</td><td>40</td><td>39</td> <td></td> </tr> </table>															52	14	13	12	11	10	9	8	7	6	5	4	3	2		26	25	24	23	22	21	20	19	18	17	16	15		51	38	37	36	35	34	33	32	31	30	29	28	27	1		50	49	48	47	46	45	44	43	42	41	40	39	
52	14	13	12	11	10																9	8	7	6	5	4	3	2																																																
	26	25	24	23	22																21	20	19	18	17	16	15																																																	
51	38	37	36	35	34																33	32	31	30	29	28	27	1																																																
	50	49	48	47	46																45	44	43	42	41	40	39																																																	
TOOL DES. REL.	N/A	160094-0014	9	B	ST GRY																																																																							
TOOL DES. REL.	12672855	160094-0015	9	C	BLUE																																																																							
TOOL DES. REL.	N/A	160094-0016	9	D	BROWN																																																																							
TOOL DES. REL.	N/A	160094-0017	9	E	GREEN																																																																							
TOOL DES. REL.	N/A	160094-0018	9	F	NATURAL																																																																							
NA	NA	NA	NA	NA	NA	<table border="1"> <tr> <td colspan="15">73</td> </tr> </table>															73																																																							
73																																																																												
SALEABLE	NOT APPLICABLE	34566-2503	0	A	BLACK	72	71	69	68	67	66	64	63	62	59	56	53	50	48	46	44	43	42	39	36	35	33	32	30	29	27	23	20	17	73			14	13	12	11	9	8	5	4	3	2	1																												
SALEABLE	NOT APPLICABLE	34566-2603	0	B	ST GRY	49	48	47	67	66	65	44	59	57	55	53	49	48	47	29	28	23	21	35	33	73			65	59	57	55	53	7	59	57	55	53																																						
SALEABLE	NOT APPLICABLE	34566-2703	0	B	ST GRY	49	48	47	65	59	57	55	53	49	48	47	29	28	23	21	35	33	73			29	28	23	21	7																																														
SALEABLE	TBD	34566-2803	0	H	ST GRY																																																																							
SALEABLE	NOT APPLICABLE	34566-2903	0	A	BLACK	72	71	70	69	68	67	66	64	63	62	61	59	55	54	53	52	51	49	48	44	43	42	41	39	35	34	33	32	31	29	27	25	23	19	18	17	73			16	13	12	11	9	8	7	6	5	4	3	2	1																			
SALEABLE	NOT APPLICABLE	34566-3003	0	A	BLACK	72	71	70	69	68	67	66	64	63	62	60	59	58	57	56	55	54	53	52	51	50	49	48	47	46	44	43	42	41	40	39	38	37	36	35	34	33	32	31	30	29	28	27	25	24	23	22	21	20	19	18	17	73			16	15	14	13	12	11	9	8	7	6	5	4	3	2	1	
SALEABLE	NOT APPLICABLE	34566-3103	0	B	ST GRY	49	48	46	65	62	59	57	55	53	49	48	46	29	26	23	21	35	33	73			65	62	59	57	55	53	15	9	8	7	4	3	18																																					
SALEABLE	NOT APPLICABLE	34566-3203	0	B	ST GRY	50	49	48	67	60	59	58	57	56	55	53	50	49	48	29	26	23	21	35	34	33	73			67	60	59	58	57	56	55	53	16	15	14	29	7	6	5	4	3	18																													
SALEABLE	NOT APPLICABLE	34566-3303	0	B	ST GRY	50	49	48	59	58	57	56	55	53	50	49	48	29	23	22	21	35	34	33	73			59	58	57	56	55	53	16	15	14	29	23	22	21	18																																			
SALEABLE	NOT APPLICABLE	34566-3403				SEE 34566-3003																																																																						
SALEABLE	NOT APPLICABLE	34566-3503	0	A	BLACK	72	71	69	68	67	66	64	63	62	60	59	35	33	52	49	48	46	44	43	42	40	39	24	23	17	73			32	29	27	24	23	14	13	12	11	9	8	7	6	5	4	3	2	1																									











MX123 52/66/73/80-WAY RECEPTACLE ASSY SEALED PIN OUT SHEET

STATUS	GM PART #	HRNS CONN ASSY			TPA	GROMMET CAP																						
		MATERIAL/PART	WIRE DRESS OPTION	KEY OPTION Fp	COLOR OPTION Fp	NUMBERS INDICATE CAVITIES OPEN FOR CIRCUITS																						
		NUMBER				Fp																						
SALEABLE	NOT APPLICABLE	34566-1143	0	A	BLACK	52		50		68			65		63		61		59	58		56			53			
										47									41			38	37		36	35	34	33
						73			32	31	30	29	28	27		25	24	23	22	21	20	19	18	17				1
SALEABLE	NOT APPLICABLE	34566-1153	0	A	BLACK			70				67	66	65						58	57		55					
								49				47			44	43	42	41		39		37						
						73			32		30			27		25	24	23		21	20	19	18					1
SALEABLE	NOT APPLICABLE	34566-1163	0	H	ST GRAY			78						72	71	70	69	68		66	65	64	63		61			
						60	59	58	57	56			53	52		50								44	43		41	
						40			37		35	34		32		30	29		27	26							22	21
SALEABLE	NOT APPLICABLE	34566-1173	0	A	BLACK	20	19	18	17	16			13	12				8		6	5		3	2				
						72	71		69	68			65	64	63	62	61	60	59	58		56		54		34	33	
						52		50	49	48	47		45			42	41		38	37	36		34	33				
SALEABLE	NOT APPLICABLE	34566-1183	0	B	ST GRAY	73			32	31	30	29	28	27	26		24	23		20	19	18	17					
SALEABLE	NOT APPLICABLE	34566-1193	0	A	BLACK				49	48	47			44		42				39		37		35		33		
						73							29	28					23		21							17
SALEABLE	NOT APPLICABLE	34566-1213	0	A	BLACK	72	71		69	68	67	66		64	63	62		60	59						54	53		
						52			49	48		46		44	43	42			39								34	33
						73			32			29		27				23										17
SALEABLE	NOT APPLICABLE	34566-1223	0	B	ST GRAY	72	71		69	68	67	66		64	63	62		59							54	53		
						52			48		46		44	43	42			39									34	33
						73			32			29		27				23										17
SALEABLE	NOT APPLICABLE	34566-1233	0	B	ST GRAY							65			62			59		57		55		53				
									48		46			42			39		37		35						33	
						73						29		26			23		21									17
SALEABLE	NOT APPLICABLE	34566-1243	0	B	ST GRAY													59		57		55		53				
								50		48		46					39		37		35						33	
						73						29					23		21									17
SALEABLE	NOT APPLICABLE	34566-1253	9	B	ST GRAY							65					60	59		57		55		53				
									49	48		46					40	39		37		35					33	
						73												24	23		21							2
SALEABLE	NOT APPLICABLE	34566-1263	9	A	BLACK	NUMBERS IN BOLD MUST USE SAE WIRE MEETING SAE J1128, WIRE SIZE (NO.20) OR (NO.18 MAX. O.D. OF 2.06 MM) PER G.M. DRAWING NUMBER 12582682.																						
						72	71		69	68	67	66		64	63	62		59				56					53	
								50		48		46		44	43	42			39				36	35				33
SALEABLE	NOT APPLICABLE	34566-1273	0	A	BLACK	73			32		30	29		27		24	23		20				17					
SALEABLE	NOT APPLICABLE	34566-1283	0	A	BLACK			70	69	68			65	64	63		61		59	58	57	56			54			
						52		50	49	48	47						41		38	37	36		34	33				
						73			32	31	30	29	28	27		24	23					20	19	18				1





MX123 52/66/73/80-WAY RECEPTACLE ASSY SEALED PIN OUT SHEET

STATUS	GM PART #	HRNS CONN ASSY			TPA	GROMMET CAP																				
		MATERIAL/PART	WIRE DRESS OPTION	KEY OPTION Fp	COLOR OPTION Fp	NUMBERS INDICATE CAVITIES OPEN FOR CIRCUITS																				
		NUMBER				Fp																				
SALEABLE	NOT APPLICABLE	34566-1473	0	A	BLACK	72	71		69	68	67	66		64	63	62		59					54	53		
						52			49	48		46		44	43	42		39							34	33
						73						32			29		27			24	23					
SALEABLE	NOT APPLICABLE	34566-1483	0	A	BLACK	72	71		69	68				65	64	63		61		59	58		56			
						52		50	49		47						41			38	37	36		34	33	
						73				32	31	30	29	28	27			24	23			20	19	18	17	
SALEABLE	NOT APPLICABLE	34566-1493	0	B	ST GRAY					68								59	58	57		55	53			
									49	48		46							39	38	37		35		33	
						73							29						23	22	21				18	17
SALEABLE	NOT APPLICABLE	34566-1513	0	B	ST GRAY								65					59		57		55	53			
									49	48		46						39		37		35		33		
						73							29						23		21					17
SALEABLE	NOT APPLICABLE	34566-1523	0	A	BLACK			70	69	68			65	64				59	58		56		54			
						52		50	49		47					42	41			38	37	36		34		
						73				32	31	30	29	28	27	26			23			20	19	18	17	
SALEABLE	NOT APPLICABLE	34566-1533	0	A	BLACK		72	71	70	69	68			65	64	63		61		59	58	57	56			
						52	51	50	49		47						41			38	37	36		34	33	
						73				32	31	30	29	28	27			24	23			20	19	18	17	
SALEABLE	NOT APPLICABLE	34566-1543	0	B	ST GRAY					69	68		66					59		57		55	53			
									49	48		46						39		37		35		33		
						73							29						23		21					
SALEABLE	12582677	34566-1553	0	A	BLACK																					
						73																				
TOOL DESIGN SALEABLE	NOT APPLICABLE	34566-1563	9	A	BLACK																					
73																										
TOOL DESIGN SALEABLE	NOT APPLICABLE	34566-1573	9	H	ST GRAY																					
						73																				
SALEABLE	NOT APPLICABLE	34566-1583	0	A	BLACK			70				67	66	65				61		58	57		55	54		
									49		47		45	44	43	42	41		39		37			34		
						73				32		30			27		25	24			21	20	19	18	17	
SALEABLE	NOT APPLICABLE	34566-1593	0	B	ST GRAY					67		65				61	60	59	58	57		54	53			
							51	50	49	48	47	46	45		43	42		40	39		37			34	33	
						73				32	31	30				26		24	23	22	21	20				
SALEABLE	NOT APPLICABLE	34566-1613	0	H	ST GRAY		79	78	77	76	75	74	73	72	71	70	69	68		66	65	64	63	61		
						60	59	58	57	56			53			50							44	43		41
						40	39	38	37		35	34	33	32		30	29		27	26			24	23	22	21
SALEABLE	NOT APPLICABLE	34566-1623	0	B	ST GRAY							66	65			62		59		57		55	53			
									48	47					42		39		37		35					
						73							29			26		23		21						
SALEABLE	NOT APPLICABLE	34566-1633	0	B	ST GRAY					69	68		66					59		57		55	53			
								50		48	47							39		37		35				33
						73							29			12	11	10			7	6	5	4	3	

MX123 52/66/73/80-WAY RECEPTACLE ASSY SEALED PIN OUT SHEET

STATUS	GM PART #	HRNS CONN ASSY			TPA	GROMMET CAP																						
		MATERIAL/PART	WIRE DRESS OPTION	KEY OPTION Fp	COLOR OPTION Fp	NUMBERS INDICATE CAVITIES OPEN FOR CIRCUITS																						
		NUMBER				Fp																						
SALEABLE	NOT APPLICABLE	34566-1643	0	B	ST GRAY				69	68		66							59		57		55		53			
								50		48		46							39		37		35		33			
						73						29						23		21								17
SALEABLE	NOT APPLICABLE	34566-1653	0	B	ST GRAY							66						59		57		55		53				
								50		48		46						39		37		35		33				
						73						29						23		21								17
SALEABLE	NOT APPLICABLE	34566-1663	0	B	ST GRAY							66						59		57		55		53				
								50		48		46						39		37		35		33				
						73						29						23		21								17
SALEABLE	NOT APPLICABLE	34566-1673	0	A	BLACK	72	71	70	69	68	67	66	65	64	63	62		60	59					55	54	53		
						52			49	48			45	44	43	42	41	40	39							35	34	33
						73						29				27		25	24	23							19	18
SALEABLE	NOT APPLICABLE	34566-1683	0	B	ST GRAY							67	66			63			59	58	57	56	55		53			
								50	49	48					43				39	38	37	36	35		33			
						73						29				27				23	22	21						
SALEABLE	NOT APPLICABLE	34566-1693	0	B	ST GRAY							66		64				59		57		55		53				
								49	48		46							39		37		35		33				
						73						29							23		21							17
SALEABLE	NOT APPLICABLE	34566-1713	0	B	ST GRAY		71	70		68		66	65	64	63		60	59	58	57	56	55	54	53				
							51	50	49	48		46	45		43		41	40	39	38	37	36	35		33			
						73						32	31	30				24	23	22		20	19					
SALEABLE	NOT APPLICABLE	34566-1723	0	B	ST GRAY		71	70		68		66	65				60	59	58	57			54	53				
							51	50	49	48		46	45		43		41	40	39	38	37	36	35		33			
						73						32	31	30				24	23	22		20						
SALEABLE	NOT APPLICABLE	34566-1733	0	A	BLACK			70		68	67	66	65					58	57			55						
								49		47			44	43	42	41		39		37		35						
						73						32		30			27		25	24		21	20	19	18	17		
SALEABLE	NOT APPLICABLE	34566-1743	0	A	BLACK			70		67	66	65					58	57			55							
								49		47			44	43	42	41		39		37		35						
						73						32		30			27		25	24		21	20	19	18	17		
SALEABLE	NOT APPLICABLE	34566-1753	0	A	BLACK			70		67	66	65					58	57			55							
								49		47			44	43	42	41		39		37		35						
						73						32				27		25	24		21	20	19	18	17			
SALEABLE	NOT APPLICABLE	34566-1763	0	B	ST GRAY					67		65				61	60	59	58	57			54	53				
							51	50	49	48	47	46	45		43		40	39		37		34	33					
						73						32	31	30			26		24	23	22	21	20					
SALEABLE	NOT APPLICABLE	34566-1773	0	C	BLUE	72		70				67	66			63	62			59		57			53			
						52	51					46		44		42		40	39						34	33		
						73								30			27	26	25		22	21	20					
SALEABLE	NOT APPLICABLE	34566-1783	0	C	BLUE					67	66				63	62			59		57			53				
						52	51	70				46		44		42		40	39						34	33		
						73								30			26	25		22	21	20						
SALEABLE	NOT APPLICABLE	34566-1793	0	A	BLACK				69							63	62	61			58	57	56	55	54	53		
						52	51		49				44	43	42	41				37	36	35	34	33				
						73						32			29	28	27	26								19	18	

MX123 52/66/73/80-WAY RECEPTACLE ASSY SEALED PIN OUT SHEET

STATUS	GM PART #	HRNS CONN ASSY			TPA	GROMMET CAP																					
		MATERIAL/PART	WIRE DRESS OPTION	KEY OPTION Fp	COLOR OPTION Fp	NUMBERS INDICATE CAVITIES OPEN FOR CIRCUITS																					
		NUMBER																									
SALEABLE	NOT APPLICABLE	34566-1813	0	B	ST GRAY	72	71	70		68	67	66				62	61	60	59	58	57	56	55	54	53		
						52	51	50		48	47	46				42	41	40	39	38	37	36	35	34	33		
						73				32	31	30	29	28	27	26	25	24	23								
SALEABLE	NOT APPLICABLE	34566-1823	0	A	BLACK	72	71	70	69	68		66	65	64			61		59	58		56		54	53		
						52		50	49		47					42	41			38	37	36		34	33		
						73				32	31	30	29	28	27	26		24	23	22	21	20	19	18	17		
SALEABLE	NOT APPLICABLE	34566-1833	0	A	BLACK					68		65		63		61		59	58		56						
						52		50			47					41			38	37	36		34	33			
						73				32	31	30	29	28	27		25	24	23			20	19	18	17		
SALEABLE	NOT APPLICABLE	34566-1843	0	A	BLACK					68		65		63		61		59	58		56			53			
						52		50			47					41			38	37	36		34	33			
						73				32	31	30	29	28	27		25	24	23			20	19	18	17		
SALEABLE	NOT APPLICABLE	34566-1853	0	A	BLACK			70	69	68	67		65		63		61	60			57	56	55	54	53		
						52		50	49	48	47			44	43		41	40			37	36	35	34	33		
						73						30	29	28			25	24			21	20	19	18	17		
SALEABLE	NOT APPLICABLE	34566-1863	0	B	ST GRAY					68	67		66	65	64	63											
												46	45		43												
						73				32		30	29	28	27												
SALEABLE	NOT APPLICABLE	34566-1873	0	C	BLUE	72		70			67	66			63	62			59		57				53		
						52	51					46		44		42		40	39							34	33
						73				32		30			27	26	25			22	21	20					
SALEABLE	NOT APPLICABLE	34566-1883	0	A	BLACK			70		68	67	66	65						58	57		55					
									49		47			44	43	42	41	40	39		37		35				
						73				32		30			27		25	24			21	20	19	18	17		
SALEABLE	NOT APPLICABLE	34566-1893	0	C	BLUE			70				66			63			59		57				53			
						52	51					46		44		42		40	39							34	33
						73				32		30			27	26	25			22	21	20					
SALEABLE	NOT APPLICABLE	34566-1913	0	B	ST GRAY			70		68		66					60	59				55	54	53			
						52		50		48		46					40	39					35	34	33		
						73				32	31	30	29	28	27	26	25	24									
SALEABLE	NOT APPLICABLE	34566-1923	0	A	BLACK				69						63				58		56	55	54	53			
						52	51		49					44	43	42	41					36	35	34	33		
						73				32				28		26							19	18			
SALEABLE	NOT APPLICABLE	34566-1933	0	A	BLACK			70			67	66	65					58	57		55						
									49		47			44	43	42	41	40	39		37		35				
						73				32		30			27		25	24			21	20	19	18	17		
SALEABLE	NOT APPLICABLE	34566-1943	0	A	BLACK			70			67	66	65					58	57		55						
							51		49		47			44	43	42	41	40	39		37		35				
						73				32		30			27		25	24			21	20	19	18	17		
SALEABLE	NOT APPLICABLE	34566-1953	0	C	BLUE			70				66			63			59		57				53			
						52	51			48	47	46		44		42		40	39							34	33
						73						30				26	25			22	21	20					
SALEABLE	NOT APPLICABLE	34566-1963	0	C	BLUE			70				66			63			59		57				53			
						52	51					46		44		42		40	39							34	33
						73						30				26	25			22	21	20					













MX123 52/66/73/80-WAY RECEPTACLE ASSY SEALED PIN OUT SHEET

STATUS	GM PART #	HRNS CONN ASSY			TPA	GROMMET CAP																					
		MATERIAL/PART	WIRE DRESS OPTION	KEY OPTION Fp	COLOR OPTION Fp	NUMBERS INDICATE CAVITIES OPEN FOR CIRCUITS																					
		NUMBER				Fp																					
SALEABLE	NOT APPLICABLE	34566-2813	9	B	ST GRAY	72	71	70	69	68	67	66	65	64		62	61	60	59	58	57	56	55	54			
						52	51	50	49	48		46		44				40				37	36				
						73				32	31	30	29	28	27		25	24				21	20			18	
SALEABLE	NOT APPLICABLE	34566-2823	0	A	BLACK						67	66															
																41											
						73				32	31	30	29		27		25			22	21			19	18	17	
SALEABLE	NOT APPLICABLE	34566-2833	0	B	ST GRAY	72	71	70	69	68	67	66	65			61	60				57	56	55	54			
						52	51	50	49	48		46		44				40				37	36				
						73				32	31	30	29	28	27			24			21	20	19	18	17		
SALEABLE	NOT APPLICABLE	34566-2843	0	A	BLACK						67	66															
																41											
						73				32	31	30	29		27		25			22	21			19	18	17	
SALEABLE	NOT APPLICABLE	34566-2853	0	B	ST GRAY	72	71	70	69	68	67	66	65	64	63		61	60				57	56	55	54		
						52	51	50	49	48		46		44				40				37	36				
						73				32	31	30	29	28	27			24			21	20	19	18	17		
SALEABLE	NOT APPLICABLE	34566-2863	0	A	BLACK						67	66															
																41											
						73				32	31	30	29		27		25			22	21			19	18	17	
SALEABLE	NOT APPLICABLE	34566-2873	0	B	ST GRAY	72	71	70	69	68	67	66							59	58	57	56	55	54			
						52	51	50	49	48	47							40			39	38	37	36	35	34	
						73					15					11	10		8		6	5	4	3			
SALEABLE	NOT APPLICABLE	34566-2883	0	A	BLACK			70	69						63	62	61			58	57	56	55	54	53		
						52	51		49				44	43	42	41						37	36			34	
						73				32			29	28	27	26										19	18
SALEABLE	NOT APPLICABLE	34566-2893	0	A	BLACK				69		67	66	65		63			60			57	56		53			
									49		47	46		44	43			40			37	36	35			33	
						73					31	30	29	28				24			21	20					
SALEABLE	NOT APPLICABLE	34566-2913	0	B	ST GRAY					68	67			64					58								
												46	45														
						73				32		30	29	28	27												17
SALEABLE	NOT APPLICABLE	34566-2923	0	B	ST GRAY						67			64													
												46	45														
						73				32		30	29	28	27												17
SALEABLE	NOT APPLICABLE	34566-2933	0	A	BLACK	72			69		67		65		63			60			57	56		53			
									49		47		44	43			40			37	36	35			33		
						73					31	30	29	28				24			21	20					17
SALEABLE	NOT APPLICABLE	34566-2943	0	B	ST GRAY					68	67			64	63			59		57							
												46	45		43			39		37							
						73				32		30	29	28	27						21						
SALEABLE	NOT APPLICABLE	34566-2953	0	B	ST GRAY					68	67			64	63			59									
												46	45		43			39								34	
						73				32		30	29	28	27												
SALEABLE	NOT APPLICABLE	34566-2963	0	H	ST GRAY		79						74	73	72	71		69	68	67			64		62	61	
							59						54	53	52			49	48	47						42	41
								38					33						29	28	27			25			



MX123 52/66/73/80-WAY RECEPTACLE ASSY SEALED PIN OUT SHEET

STATUS	GM PART #	HRNS CONN ASSY			TPA	GROMMET CAP																									
		MATERIAL/PART	WIRE DRESS OPTION	KEY OPTION Fp	COLOR OPTION Fp	NUMBERS INDICATE CAVITIES OPEN FOR CIRCUITS Fp																									
		NUMBER																													
SALEABLE	NOT APPLICABLE	34566-3063	0	A	BLACK			71		69				65	64	63			60		58	57	56	55	54	53					
						52	51		49				45	44	43	42	41							37	36	35	34	33			
						73									32		30			28									19	18	
SALEABLE	NOT APPLICABLE	34566-3073	0	A	BLACK			71		69				65	64	63			60		58	57	56	55	54	53					
						52	51		49				45	44	43	42	41							37	36	35	34	33			
						73									32		30			28					23			19	18		
SALEABLE	NOT APPLICABLE	34566-3083	0	A	BLACK			71		69				65	64	63			60		58	57	56	55	54	53					
						52	51		49				45	44	43	42	41							37	36	35	34	33			
						73									32		30			28									19	18	
SALEABLE	NOT APPLICABLE	34566-3093	0	A	BLACK			71		69				65	64	63			60		58	57	56	55	54	53					
						52	51		49				45	44	43	42	41							37	36	35	34	33			
						73									32		30			28								19	18		
SALEABLE	NOT APPLICABLE	34566-3113	0	A	BLACK			71		69				65	64	63			60		58	57	56	55	54	53					
						52	51		49				45	44	43	42	41							37	36	35	34	33			
						73									32		30			28				23			19	18			
SALEABLE	NOT APPLICABLE	34566-3123	0	B	ST GRY		72			70				66							60	59				55	54	53			
						52			50				48		46								40	39					35	34	33
						73									32	31	30	29	28	27	26	25	24								
SALEABLE	NOT APPLICABLE	34566-3133	0	C	BLUE		72			70				66	67	66					59		57				34	33			
						52	51					48	47	46		44						40	39								
						73									32		30				26	25				22	21	20			
SALEABLE	NOT APPLICABLE	34566-3143	0	C	BLUE		72			70				66							59		57				34	33			
						52	51					48		46		44						40	39								
						73									32		30				26	25				22	21				
SALEABLE	NOT APPLICABLE	34566-3153	0	A	BLACK					70	69											58		56		54					
						52	51		49						47				44	43	42	41					36		34		
						73									32					28								19	18		
SALEABLE	NOT APPLICABLE	34566-3163	0	C	BLUE		72			70				66							59		57	56	55		53				
						52	51					46		44									40	39			37	36		34	33
						73									32		30				26	25				22	21		19	18	
SALEABLE	NOT APPLICABLE	34566-3173	0	A	BLACK					70	69												58		56		54				
						52	51		49					47				44	43	42	41						36		34		
						73									32					28								19	18		
SALEABLE	NOT APPLICABLE	34566-3183	0	C	BLUE		72			70				66								59		57	56	55		53			
						52	51					46		44									40	39			37	36		34	33
						73									32		30				26	25				22	21		19	18	
SALEABLE	NOT APPLICABLE	34566-3193	0	A	BLACK					70	69												58		56	55	54	53			
						52	51		49					47				44	43	42	41						36	35	34	33	
						73									32					28								19	18		
SALEABLE	NOT APPLICABLE	34566-3213	0	C	BLUE		72			70				66									59		57	56	55		53		
						52	51					46		44									40	39			37	36		34	33
						73									32		30				26	25				22	21		19	18	
SALEABLE	NOT APPLICABLE	34566-3223	0	C	BLUE					70	69													58		56	55	54	53		
						52	51		49					47				44	43	42	41						36	35	34	33	
						73									32					28								19	18		



MX123 52/66/73/80-WAY RECEPTACLE ASSY SEALED PIN OUT SHEET

STATUS	GM PART #	HRNS CONN ASSY			TPA	GROMMET CAP																									
		MATERIAL/PART NUMBER	WIRE DRESS OPTION	KEY OPTION Fp	COLOR OPTION Fp	NUMBERS INDICATE CAVITIES OPEN FOR CIRCUITS Fp																									
SALEABLE	NOT APPLICABLE	34566-3393	0	C	BLUE	72		70		68	67	66			63	62			59		57							53			
						52	51			48	47	46			44			42			40	39							34	33	
						73							32		30				26	25			22	21							
SALEABLE	NOT APPLICABLE	34566-3413	0	A	BLACK	72		70			67	66	65				61			58	57			55	54						
								50	49			47		45	44	43	42	41		39		37				35					
						73							32		30				27	26	25	24			21	20	19	18	17		
SALEABLE	NOT APPLICABLE	34566-3423	9	C	BLUE				69							63					58			56	55	54	53				
						52	51		49						44	43	42	41									36	35	34	33	
						73							32					28		26								19	18	17	
SALEABLE	NOT APPLICABLE	34566-3433	9	C	BLUE																										
						52	51								44	43	42	41													
						73							32					28		26								19	18	17	
SALEABLE	NOT APPLICABLE	34566-3443	0	A	BLACK		71		69					65	64	63				57	56	55	54	53							
						52	51		49					45	44	43	42	41					37	36	35	34	33				
						73							32		30				28		26				23				19	18	
SALEABLE	NOT APPLICABLE	34566-3453	0	A	BLACK																										
						73																							1		
																															61
SALEABLE	NOT APPLICABLE	34566-3463	9	H	ST GR Y																										
						20											9						5							1	
SALEABLE	NOT APPLICABLE	34566-3473	9	B	ST GR Y	72	71	70	69	68	67	66	65	64			62	61	60	59	58	57	56	55	54						
						52	51	50	49					46	44					40			38	37	36						
						73							32	31	30	29	28	27			25	24				21	20			18	17
SALEABLE	NOT APPLICABLE	34566-3483	0	B	ST GR Y																										
						52	51	50	49	48	47	46	45	44	43	42	41					38	37	36							
						73							32	31	30	29	28	27				24				21	20	19	18	17	
SALEABLE	NOT APPLICABLE	34566-3493	0	A	BLACK	72		70			67	66	65				61			58	57			55	54						
									49			47		45	44	43	42	41		39		37									
						73							32		30					27	26	25	24			21	20	19	18	17	
SALEABLE	NOT APPLICABLE	34566-3513	0	A	BLACK			70	69							63	62	61	60			58	57	56	55	54	53				
						52	51		49						44	43	42	41							37	36			34		
						73							32			29	28	27	26										19	18	
SALEABLE	NOT APPLICABLE	34566-3523	0	A	BLACK	72		70																							
						52			49																			36	35	34	
						73								31			28			26						21	20	19	18		
SALEABLE	NOT APPLICABLE	34566-3533	9	A	BLACK				69								63					58			56	55	54	53			
						52	51		49								44	43	42	41								36	35	34	33
						73							32						28		26								19	18	17
SALEABLE	NOT APPLICABLE	34566-3543	9	A	BLACK																										
						73								15	14					10	9			6							
									69											63	62	61				58	57	56	55	54	53
SALEABLE	NOT APPLICABLE	34566-3553	9	C	BLUE		51	50	49	48																					
						73								31	30	29	28	27	26	25					22		20	19	18	17	









MX123 52/66/73/80-WAY RECEPTACLE ASSY SEALED PIN OUT SHEET

STATUS	GM PART #	HRNS CONN ASSY			TPA	GROMMET CAP																							
		MATERIAL/PART	WIRE DRESS OPTION	KEY OPTION Fp	COLOR OPTION Fp	NUMBERS INDICATE CAVITIES OPEN FOR CIRCUITS																							
		NUMBER				Fp																							
SALEABLE	NOT APPLICABLE	34566-4063	0	B	ST GRY					68	67			64					59	58					54				
						73				32		46	45	28	27							23	22						
SALEABLE	NOT APPLICABLE	34566-4073	0	A	BLACK	72			70																				
						52	51																						
						73				32		30																	
SALEABLE	NOT APPLICABLE	34566-4083	0	C	BLUE	72			70																				
						52	51																						
						73				32		30																	
SALEABLE	NOT APPLICABLE	34566-4093	0	A	BLACK		71	70	69																				
						52	51		49																				
						73				32		30																	
SALEABLE	NOT APPLICABLE	34566-4113	0	B	ST GRY					68	67			64															
						73				32		30	29	28	27														
SALEABLE	NOT APPLICABLE	34566-4123	9	A	BLACK	72				69																			
									49																				
						73				32		30	29	28															
SALEABLE	NOT APPLICABLE	34566-4133	9	B	ST GRY					68	67			64															
						73				32		30	29	28	27														
SALEABLE	NOT APPLICABLE	34566-4143	0	B	ST GRY					68	67			64															
						73				32		30	29	28	27														
SALEABLE	NOT APPLICABLE	34566-4153	0	B	ST GRY	72			70																				
						52		50																					
						73				32	31	30	29	28	27	26	25	24	23										
SALEABLE	NOT APPLICABLE	34566-4163	0	B	ST GRY	72			70																				
						52		50																					
						73				32	31	30	29	28	27	26	25	24											
SALEABLE	NOT APPLICABLE	34566-4173	0	A	BLACK	72	71	70	69																				
						52	51		49																				
						73				32		30		28															
SALEABLE	NOT APPLICABLE	34566-4183	0	C	BLUE	72			70																				
						52	51																						
						73				32		30																	
SALEABLE	NOT APPLICABLE	34566-4193	0	C	BLUE		71		69																				
								50	49																				
						73					31		29	28															
SALEABLE	NOT APPLICABLE	34566-4213	0	A	BLACK	72	71																						
								50																					
						73					31	30																	
SALEABLE	NOT APPLICABLE	34566-4223	0	A	BLACK	72	71																						
								50																					
						73					31	30																	





MX123 52/66/73/80-WAY RECEPTACLE ASSY SEALED PIN OUT SHEET

STATUS	GM PART #	HRNS CONN ASSY			TPA	GROMMET CAP																						
		MATERIAL/PART	WIRE DRESS OPTION	KEY OPTION Fp	COLOR OPTION Fp	NUMBERS INDICATE CAVITIES OPEN FOR CIRCUITS																						
		NUMBER				Fp																						
SALEABLE	NOT APPLICABLE	34566-4563	0	B	ST GRY					68	67			64	63					58			55		53			
										32		46	45	28	27					22					19		17	
						73								12		10												1
SALEABLE	NOT APPLICABLE	34566-4573	0	B	ST GRY					68	67			64	63					58					53			
												46	45	28	27					38								
						73								32		30	29					22						17
SALEABLE	NOT APPLICABLE	34566-4583	0	B	ST GRY					68	67			64						58					53			
												46	45	28	27					38								
						73								32		30	29					22						17
SALEABLE	NOT APPLICABLE	34566-4593	0	B	ST GRY					68	67			64						58					53			
												46	45	28	27					38								
						73								32		30	29					22						17
SALEABLE	NOT APPLICABLE	34566-4613	0	A	BLACK	72			69			67	66	65		63			60			57	56			53		
									49			47			44	43	42		40			37	36	35			33	
						73								31	30	29	28	27	26		24			21	20			17
SALEABLE	NOT APPLICABLE	34566-4623	0	B	ST GRY	72		70		68		66						60	59					55	54	53		
						52		50		48		46						40	39							35	34	33
						73								32	31	30	29	28	27	26	25	24	23					2
SALEABLE	NOT APPLICABLE	34566-4633	0	A	BLACK		71	70	69					64	63			60	59	58		56	55	54	53			
						52	51		49			47		45	44	43	42	41			38		36		34			
						73								32		30		28		26				21		19	18	
SALEABLE	NOT APPLICABLE	34566-4643	0	B	ST GRY	72		70		68		66						60	59					55	54	53		
						52		50		48		46						40	39							35	34	33
						73								32	31	30	29	28	27	26	25	24	23					2
SALEABLE	NOT APPLICABLE	34566-4653	0	A	BLACK		71	70	69					64	63			60	59	58		56	55	54	53			
						52	51		49			47		45	44	43	42	41			38		36		34			
						73								32		30		28		26				23		19	18	
SALEABLE	NOT APPLICABLE	34566-4663	0	A	BLACK		71	70	69					64	63			60	59	58		56	55	54	53			
						52	51		49			47		45	44	43	42	41			38		36		34			
						73								32		30		28		26					19	18		
SALEABLE	NOT APPLICABLE	34566-4673	0	A	BLACK							67	66															
												47						41										
						73								32	31	30	29		27	26	25		22	21		19	18	17
SALEABLE	NOT APPLICABLE	34566-4683	9	B	ST GRY	72	71	70	69	68	67	66	65	64		62	61	60	59	58	57	56	55	54				
						52	51	50	49			46		44			41	40		38	37	36				18	17	
						73								32	31	30	29	28	27		25	24		21	20		18	17
SALEABLE	NOT APPLICABLE	34566-4693	0	B	ST GRY	72	71	70	69	68	67	66	65				61	60			57	56	55	54				
						52	51	50	49	48		46		44			41	40		38	37	36				18	17	
						73								32	31	30	29	28	27		24		21	20	19	18	17	
SALEABLE	NOT APPLICABLE	34566-4713	0	A	BLACK		71	70	69					64	63			60	59	58		56	55	54	53			
						52	51		49			47		45	44	43	42	41			38		36		34			
						73								32		30		28		26				23		19	18	
SALEABLE	NOT APPLICABLE	34566-4723	0	A	BLACK	72	71	70	69					64	63			60	59	58		56	55	54	53			
						52	51		49			47		45	44	43	42	41			38		36		34			
						73								32		30		28		26					19	18		

MX123 52/66/73/80-WAY RECEPTACLE ASSY SEALED PIN OUT SHEET

STATUS	GM PART #	HRNS CONN ASSY			TPA	GROMMET CAP																						
		MATERIAL/PART	WIRE DRESS OPTION	KEY OPTION Fp	COLOR OPTION Fp	NUMBERS INDICATE CAVITIES OPEN FOR CIRCUITS																						
		NUMBER				Fp																						
SALEABLE	NOT APPLICABLE	34566-4733	0	A	BLACK	72	71	70	69					64	63			60	59	58		56	55	54	53			
						52	51		49		47		45	44	43	42	41						21		36		19	18
						73				32		30		28		26								5				3
SALEABLE	NOT APPLICABLE	34566-4743	9	A	BLACK	72	71	70	69		67		65	64	63	62	61	60	59	58	57	56	55	54	53			
						52	51	50	49	48	47		45	44	43	42	41	40	39			37	36			34		
						73				32		30	29	28	27	26		24	23				21				19	18
SALEABLE	NOT APPLICABLE	34566-4753	0	B	ST GRAY					68	67			64						58								
											46	45										38						
						73				32		30	29	28	27							22						17
SALEABLE	NOT APPLICABLE	34566-4763	0	B	ST GRAY					68	67			64														
											46	45																
						73				32		30	29	28	27													17
SALEABLE	NOT APPLICABLE	34566-4773	0	B	ST GRAY					68	67			64					59	58				54				
											46	45								39	38							
						73				32		30	29	28	27					23	22							17
SALEABLE	NOT APPLICABLE	34566-4783	0	B	ST GRAY					68	67			64	63						55							
											46	45			43							38				35		
						73				32		30	29	28	27							22				19		17
SALEABLE	NOT APPLICABLE	34566-4793	0	B	ST GRAY					68	67			64	63													
											46	45			43							38						
						73				32		30	29	28	27							22						17
SALEABLE	NOT APPLICABLE	34566-4813	9	B	ST GRAY					68	67			64					59	58					54			
											46	45								39	38							
						73				32		30	29	28	27					23	22							17
SALEABLE	NOT APPLICABLE	34566-4823	0	C	BLUE					68	67	66	65	64					59	58	57			55	54	53		
							51	50	49	48		46	45		43	42	41	40	39	38	37			35			33	
						73				32	31	30				26		24	23	22				20				
SALEABLE	NOT APPLICABLE	34566-4833	0	C	BLUE	72			70		68	67	66			63	62			59		57				53		
						52	51			48	47	46		44		42		40	39			37	36				34	33
						73				32		30			27	26	25	24			22	21						
SALEABLE	NOT APPLICABLE	34566-4843	0	C	BLUE	72			70		68	67	66			63	62			59		57				53		
						52	51			48	47	46		44		42		40	39	38	37	36					34	33
						73				32		30			27	26	25	24			22	21						
SALEABLE	NOT APPLICABLE	34566-4853	0	C	BLUE	72			70		68		66			63	62			59		57	56	55		53		
						52	51			48	47	46		44		42		40	39			37	36				34	33
						73				32		30			27	26	25	24			22	21				19	18	
SALEABLE	NOT APPLICABLE	34566-4863	0	C	BLUE	72			70		68		66			63	62			59		57				53		
						52	51			48	47	46		44		42		40	39	38	37	36					34	33
						73				32		30			27	26	25	24			22	21						
SALEABLE	NOT APPLICABLE	34566-4873	0	C	BLUE	72			70		68		66			63	62			59		57				53		
						52	51			48	47	46		44		42		40	39			37	36				34	33
						73				32		30			27	26	25	24			22	21						
SALEABLE	NOT APPLICABLE	34566-4883	9	A	BLACK	72				69		67		65		63			60			57	56			53		
									49		47	46		44	43			40				37	36	35				33
						73				32		30	29	28				24				21	20					17
						16	15	14	13					11	10					5	4	3	2	1				

MX123 52/66/73/80-WAY RECEPTACLE ASSY SEALED PIN OUT SHEET

STATUS	GM PART #	HRNS CONN ASSY			TPA	GROMMET CAP																						
		MATERIAL/PART	WIRE DRESS OPTION	KEY OPTION Fp	COLOR OPTION Fp	NUMBERS INDICATE CAVITIES OPEN FOR CIRCUITS																						
		NUMBER				Fp																						
SALEABLE	NOT APPLICABLE	34566-4893	9	B	ST GRY					68	67			64	63					58			55					
SALEABLE	NOT APPLICABLE	34566-4913	9	B	ST GRY					68	67			64	63					58	57		55		53			
SALEABLE	NOT APPLICABLE	34566-4923	9	A	BLACK	72			69		67		65		63		60		57	56					53			
									49		47		44	43		40		37	36	35								
SALEABLE	NOT APPLICABLE	34566-4933	0	C	BLUE	72			70		68	67	66		63	62		59	57						53			
						52	51			48	47	46		44		40	39		37	36	35	34	33					
SALEABLE	NOT APPLICABLE	34566-4943	0	A	BLACK				70	69	68	67			63	62	61	60	59	58	57	56	55	54	53			
						52	51	50	49					44	43	42	41		39	38	37	36				34		
SALEABLE	NOT APPLICABLE	34566-4953	0	B	ST GRY	72	71	70	69		68	67	66	65	64	63			59						53			
						52	51	50	49	48	47	46	45	44	43				39							34	33	
SALEABLE	NOT APPLICABLE	34566-4963	9	A	BLACK	72			69		67	66	65		63		60		57	56					53			
									49		47	46		44	43	42	40		37	36	35						33	
SALEABLE	NOT APPLICABLE	34566-4973	9	B	ST GRY					68	67			64				59	58						54			
SALEABLE	NOT APPLICABLE	34566-4983	0	B	ST GRY	72			70		68		66				60	59						55	54	53		
						52		50		48		46		44		40	39									35	34	33
SALEABLE	NOT APPLICABLE	34566-4993	0	A	BLACK	72	71	70	69		67			64	63		60	59			56	55	54	53				
						52	51		49		47		45	44	43	42	41					36				34		
SALEABLE	NOT APPLICABLE	34566-5013	9	B	ST GRY					68	67			64	63			59	58					55	54			
SALEABLE	NOT APPLICABLE	34566-5023	0	C	BLUE	72			70		68	67			63	62		59		57					53			
						52	51			48	47	46		44		42	40	39		37	36					34	33	
SALEABLE	NOT APPLICABLE	34566-5033	0	A	BLACK				70	69					63	62	61	60		58	57	56	55	54	53			
						52	51		49					44	43	42	41					37	36	35	34	33		
SALEABLE	NOT APPLICABLE	34566-5043	0	A	BLACK																							
SALEABLE	NOT APPLICABLE	34566-5053	0	B	ST GRY																							







MX123 52/66/73/80-WAY RECEPTACLE ASSY SEALED PIN OUT SHEET

STATUS	GM PART #	HRNS CONN ASSY			TPA	GROMMET CAP																						
		MATERIAL/PART	WIRE DRESS OPTION	KEY OPTION Fp		COLOR OPTION Fp	NUMBERS INDICATE CAVITIES OPEN FOR CIRCUITS																					
		NUMBER					Fp																					
SALEABLE	NOT APPLICABLE	34566-5393	0	A	BLACK	52	51	70	69	49				44	63	43	42	41				56	55	54	53			
						73				32				28		26			23		21		3	19	18			
						73				16				12		10		8			5							
SALEABLE	NOT APPLICABLE	34566-5413	0	A	BLACK	52	51	70	69	49				44	63	43	42	41				56	55	54	53			
						73				32				28		26			23		21		3	19	18			
						73				16	15			12		10		8			5							
SALEABLE	NOT APPLICABLE	34566-5423	0	A	BLACK	52	51	70	69	49				44	63	43	42	41				56	55	54	53			
						73				32				28		26			23		21		3	19	18			
						73				16				12		10												
SALEABLE	NOT APPLICABLE	34566-5433	9	B	ST GRY	68	67						46	64						59	58			54				
						73				32		30	29	28	27			23	22								17	
						73										10			6									1
SALEABLE	NOT APPLICABLE	34566-5443	9	B	ST GRY	68	67						46	64					59	58			54					
						73				32		30	29	28	27			23	22								17	
						73					15		13			10			6									1
SALEABLE	NOT APPLICABLE	34566-5453	0	B	ST GRY	68	67						46	64					59	58			54					
						73				32		30	29	28	27			23	22								17	
						73					15		13			10			6									1
SALEABLE	NOT APPLICABLE	34566-5463	0	A	BLACK	72		70							63													
						52			49				31	30			28	27	26		41			23		20	19	
						73				16	15	14			12		10			6								
SALEABLE	NOT APPLICABLE	34566-5473	0	A	BLACK	72	71	70					68	67	66	65	64	63	62		60	59			56		53	
						52	51					48	47	46	45	44	43	42	41	40								17
						73				16	15	14			12	11	10			6					20	19		17
SALEABLE	NOT APPLICABLE	34566-5483	0	B	ST GRY	72		70					68	67	66		64	63		60	59			55	54	53		
						52		50				48		46					40	39					35	34	33	
						73				32	31	30	29	28	27	26	25	24			20							17
SALEABLE	NOT APPLICABLE	34566-5493	0	A	BLACK	72		70	69							63			60	59	58	57	56	55	54	53		
						52	51		49				48	47	46	45	44	43	42	41	40			37	36		34	
						73				16	15	14			12	11	10			6						19	18	17
SALEABLE	NOT APPLICABLE	34566-5513	9	B	ST GRY								68	67			64	63			58			55				
						73				32		30	29	28	27			22				19					17	
						73										10												1
SALEABLE	NOT APPLICABLE	34566-5523	9	A	BLACK	72			69				67	66	65		63		60			57	56		53			
									49				47		45	44	43	42		40			37	36	35		33	
						73				16	15	14	13			11	10			5	4	3	2					1
SALEABLE	NOT APPLICABLE	34566-5533	9	B	ST GRY								68	67			64				59	58		54				
						73				32		30	29	28	27			23	22								17	
						73										10	9	8		6								1
SALEABLE	NOT APPLICABLE	34566-5543	9	A	BLACK								68	67			64				59	58		54				
						73				32		30	29	28	27			23	22								17	
						73										12		10		8		6						1
SALEABLE	NOT APPLICABLE	34566-5553	9	B	ST GRY								68	67			64				59	58		54				
						73				32		30	29	28	27			23	22								17	
						73										12		10		8		6						1











MX123 52/66/73/80-WAY RECEPTACLE ASSY SEALED PIN OUT SHEET

STATUS	GM PART #	HRNS CONN ASSY			TPA	GROMMET CAP																					
		MATERIAL/PART	WIRE DRESS OPTION	KEY OPTION Fp		COLOR OPTION Fp	NUMBERS INDICATE CAVITIES OPEN FOR CIRCUITS																				
		NUMBER					Fp																				
SALEABLE	NOT APPLICABLE	34566-6443	9	B	ST GRAY	72	71	70	69	68	67	66	65	64	63		61	60			57	56	55				
						52	51	50	49	48	47	46	45	44	43		26	25	24	23	22	21	20	19	18	17	
						73				32	31	30	29	28		11		9	8	7	6	5	4	3	2	1	
SALEABLE	NOT APPLICABLE	34566-6453	0	C	BLUE		71	70	69		67		65	64		62	61	60			57			54			
						52	51	50	49	48	47	46	45	44		42	41				37			34	33		
						73				32				28	27	26	25								18	17	
SALEABLE	NOT APPLICABLE	34566-6463	0	B	ST GRAY	72				68	67					62	61							55			
						52				48	47	46			43												
						73						30											20	19	18		
SALEABLE	NOT APPLICABLE	34566-6473	9	C	BLUE			70	69		67	66		64		62		60			57		55	54			
						52	51	50		48		46	45	44		42					37			35	34	33	
						73				32				28	27	26									19	18	17
SALEABLE	NOT APPLICABLE	34566-6483	9	A	BLACK	72	71	70	69	68		66	65	64	63		61	60			57	56		54	53		
						52	51	50	49	48		46	45	44	43			40	39	38	37	36		34	33		
						73				32	31	30	29	28			26	25		23	22	21	20				2
SALEABLE	NOT APPLICABLE	34566-6493	9	B	ST GRAY	72			70							62	61							55			
						52				48	47	46			43		41	40									
						73						30												20	19	18	
SALEABLE	NOT APPLICABLE	34566-6513	0	B	ST GRAY					68	67					62	61						55	54			
						52						46			43			40									
						73				16	15	14							8					4	3	2	1
SALEABLE	NOT APPLICABLE	34566-6523	0	B	ST GRAY					68	67			64					59	58				54			
												46	45						39	38							
						73				32		30	29	28	27				23	22							17
SALEABLE	NOT APPLICABLE	34566-6533	9	B	ST GRAY					68	67			64													
												46	45														
						73				32		30	29	28	27												17
SALEABLE	NOT APPLICABLE	34566-6543	9	A	BLACK					68		66	65	64	63		61	60			57	56		54	53		
						52	51	50	49	48		46	45	44	43			40	39	38	37	36		34	33		
						73				32	31	30	29	28			26	25		23	22	21	20				2
SALEABLE	NOT APPLICABLE	34566-6553	9	A	BLACK	72	71	70	69		67		64	63			60	59	58	57	56	55	54	53			
						52	51	50	49		47		45	44	43	42	41	40	39		37	36		34			
						73				32		30		28		26								19	18	17	
SALEABLE	NOT APPLICABLE	34566-6563	9	C	BLUE				70		68		66		63	62			59	58	57			53			
						52	51			48	47	46		44				40	39						34	33	
						73				32		30			27	26	25		23	22	21	20					17
SALEABLE	NOT APPLICABLE	34566-6573	9	A	BLACK					68				64	63			60	59	58	57	56	55	54	53		
						52	51	50	49		47		45	44	43	42	41	40	39		37	36		34			
						73				32		30		28		26			23		21		19	18			
SALEABLE	NOT APPLICABLE	34566-6583	9	A	BLACK				70	69					63	62	61	60		58	57	56	55	54	53		
						52	51	50	49					44	43	42	41	40	39		37	36		34			
						73				32			29	28	27	26									19	18	
SALEABLE	NOT APPLICABLE	34566-6593	0	C	BLUE				69		67			64		62		60			57		55	54			
						52	51	50		48		46	45	44		42					37			35	34	33	
						73				32				28	27	26							20	19	18	17	












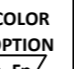
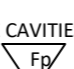


**MX123 52/66/73/80-WAY RECEPTACLE ASSY SEALED PIN OUT SHEET**

STATUS	GM PART #	HRNS CONN ASSY			TPA	GROMMET CAP																																																																																																																																																																																																																																																																																																																																																																																																																																																																																																																																																																																																																																																																																																																																																																																																																																																																																																																																																																																																																																																																																																																																																																																																															
		MATERIAL/PART	WIRE DRESS OPTION	KEY OPTION $\nabla$ Fp	COLOR OPTION $\nabla$ Fp	NUMBERS INDICATE CAVITIES OPEN FOR CIRCUITS																																																																																																																																																																																																																																																																																																																																																																																																																																																																																																																																																																																																																																																																																																																																																																																																																																																																																																																																																																																																																																																																																																																																																																																																															
		NUMBER				$\nabla$ Fp																																																																																																																																																																																																																																																																																																																																																																																																																																																																																																																																																																																																																																																																																																																																																																																																																																																																																																																																																																																																																																																																																																																																																																																																															
SALEABLE	NOT APPLICABLE	34566-7423	0	C	BLUE			70	69		67			64			61	60			57			54			52	51	50	49	48	47	46	45	44			41	40			37							34	33	73				32				28	27			25												18	17	SALEABLE	NOT APPLICABLE	34566-7433	0	B	ST GRAY	72				68						62	61	60	59							55		52				48	47	46		44	43			41	40			38	37	36	35					73				16	15	14										8						20	19	18	17	SALEABLE	NOT APPLICABLE	34566-7443	0	A	BLACK	72	71	70	69	68			66	65	64	63			60			57	56			54		52	51	50	49	48			46	45	44	43	42		40	39	38	37	36			34			73							31	30	29	28		26	25		23	22	21	20							SALEABLE	NOT APPLICABLE	34566-7453	0	C	BLUE		71	70			67	66	65	64			61	60			58	57			54		52	51	50	49	48	47		45	44			41			38	37						34	33	73				32				28	27			25											18	17	SALEABLE	NOT APPLICABLE	34566-7463	0	B	ST GRAY	72				68						62	61									55		52				48	47	46			43			40												73								30								8				22	21	20	19	18	SALEABLE	NOT APPLICABLE	34566-7473	0	B	ST GRAY	72				68	67				63	62	61									55		52				48	47	46			43			40												73								30			27				22	21	20	19	18					SALEABLE	NOT APPLICABLE	34566-7483	0	B	ST GRAY	72				68						62	61									55		52				48	47	46			43			40												73				16	15	14								8					22	21	20	19	18	17	SALEABLE	NOT APPLICABLE	34566-7493	0	C	BLUE				69		67			64		62		60			57			55	54		52	51	50		48	47	46	45	44		42						37					35	34	33	73				32				28	27	26												19	18	17	SALEABLE	NOT APPLICABLE	34566-7513	9	A	BLACK	72	71	70	69	68			66	65	64	63		61	60			57	56			54	53	52	51	50	49	48			46	45	44	43			40	39	38	37	36				34	33	73				32	31	30	29	28							23	22	21	20						SALEABLE	NOT APPLICABLE	34566-7523	0	A	BLACK	72								64		62	61			59	58	57	56	55	54		52	51			48	47	46	45		43			41	40			37						33	73				32			30	29		27	26	25	24					20						SALEABLE	NOT APPLICABLE	34566-7533	0	G	BLUE	80	79	78								71	70			67								60	59	58	57			54			51	50	49	48	47			45	44			42	41		40	39		37	36		34	33	32		30	29	28	27			25	24	23	22	21				SALEABLE	NOT APPLICABLE	34566-7543 SAME AS P/N 34566-1553	0	A	BLACK	20	19	18					13	12	11		9	8			5			3	2	1		73																							73																									SALEABLE	NOT APPLICABLE	34566-7553 SAME AS P/N 34566-1983	0	B	ST GRAY																											73																														73																														SALEABLE	NOT APPLICABLE	34566-7563 SAME AS P/N 34566-1993	0	C	BLUE																											73																														73																														SALEABLE	NOT APPLICABLE	34566-7573	0	B	ST GRAY	72		70		68						62	61									55		52				48	47	46			43			40												73								30									8			22	21	20	19	18	17
						52	51	50	49	48	47	46	45	44			41	40			37							34	33																																																																																																																																																																																																																																																																																																																																																																																																																																																																																																																																																																																																																																																																																																																																																																																																																																																																																																																																																																																																																																																																																																																																																																																								
						73				32				28	27			25												18	17																																																																																																																																																																																																																																																																																																																																																																																																																																																																																																																																																																																																																																																																																																																																																																																																																																																																																																																																																																																																																																																																																																																																																																																						
SALEABLE	NOT APPLICABLE	34566-7433	0	B	ST GRAY	72				68						62	61	60	59							55		52				48	47	46		44	43			41	40			38	37	36	35					73				16	15	14										8						20	19	18	17	SALEABLE	NOT APPLICABLE	34566-7443	0	A	BLACK	72	71	70	69	68			66	65	64	63			60			57	56			54		52	51	50	49	48			46	45	44	43	42		40	39	38	37	36			34			73							31	30	29	28		26	25		23	22	21	20							SALEABLE	NOT APPLICABLE	34566-7453	0	C	BLUE		71	70			67	66	65	64			61	60			58	57			54		52	51	50	49	48	47		45	44			41			38	37						34	33	73				32				28	27			25											18	17	SALEABLE	NOT APPLICABLE	34566-7463	0	B	ST GRAY	72				68						62	61									55		52				48	47	46			43			40												73								30								8				22	21	20	19	18	SALEABLE	NOT APPLICABLE	34566-7473	0	B	ST GRAY	72				68	67				63	62	61									55		52				48	47	46			43			40												73								30			27				22	21	20	19	18					SALEABLE	NOT APPLICABLE	34566-7483	0	B	ST GRAY	72				68						62	61									55		52				48	47	46			43			40												73				16	15	14								8					22	21	20	19	18	17	SALEABLE	NOT APPLICABLE	34566-7493	0	C	BLUE				69		67			64		62		60			57			55	54		52	51	50		48	47	46	45	44		42						37					35	34	33	73				32				28	27	26												19	18	17	SALEABLE	NOT APPLICABLE	34566-7513	9	A	BLACK	72	71	70	69	68			66	65	64	63		61	60			57	56			54	53	52	51	50	49	48			46	45	44	43			40	39	38	37	36				34	33	73				32	31	30	29	28							23	22	21	20						SALEABLE	NOT APPLICABLE	34566-7523	0	A	BLACK	72								64		62	61			59	58	57	56	55	54		52	51			48	47	46	45		43			41	40			37						33	73				32			30	29		27	26	25	24					20						SALEABLE	NOT APPLICABLE	34566-7533	0	G	BLUE	80	79	78								71	70			67								60	59	58	57			54			51	50	49	48	47			45	44			42	41		40	39		37	36		34	33	32		30	29	28	27			25	24	23	22	21				SALEABLE	NOT APPLICABLE	34566-7543 SAME AS P/N 34566-1553	0	A	BLACK	20	19	18					13	12	11		9	8			5			3	2	1		73																							73																									SALEABLE	NOT APPLICABLE	34566-7553 SAME AS P/N 34566-1983	0	B	ST GRAY																											73																														73																														SALEABLE	NOT APPLICABLE	34566-7563 SAME AS P/N 34566-1993	0	C	BLUE																											73																														73																														SALEABLE	NOT APPLICABLE	34566-7573	0	B	ST GRAY	72		70		68						62	61									55		52				48	47	46			43			40												73								30									8			22	21	20	19	18	17																																																																													
						52				48	47	46		44	43			41	40			38	37	36	35																																																																																																																																																																																																																																																																																																																																																																																																																																																																																																																																																																																																																																																																																																																																																																																																																																																																																																																																																																																																																																																																																																																																																																																												
						73				16	15	14										8						20	19	18	17																																																																																																																																																																																																																																																																																																																																																																																																																																																																																																																																																																																																																																																																																																																																																																																																																																																																																																																																																																																																																																																																																																																																																																																						
SALEABLE	NOT APPLICABLE	34566-7443	0	A	BLACK	72	71	70	69	68			66	65	64	63			60			57	56			54		52	51	50	49	48			46	45	44	43	42		40	39	38	37	36			34			73							31	30	29	28		26	25		23	22	21	20							SALEABLE	NOT APPLICABLE	34566-7453	0	C	BLUE		71	70			67	66	65	64			61	60			58	57			54		52	51	50	49	48	47		45	44			41			38	37						34	33	73				32				28	27			25											18	17	SALEABLE	NOT APPLICABLE	34566-7463	0	B	ST GRAY	72				68						62	61									55		52				48	47	46			43			40												73								30								8				22	21	20	19	18	SALEABLE	NOT APPLICABLE	34566-7473	0	B	ST GRAY	72				68	67				63	62	61									55		52				48	47	46			43			40												73								30			27				22	21	20	19	18					SALEABLE	NOT APPLICABLE	34566-7483	0	B	ST GRAY	72				68						62	61									55		52				48	47	46			43			40												73				16	15	14								8					22	21	20	19	18	17	SALEABLE	NOT APPLICABLE	34566-7493	0	C	BLUE				69		67			64		62		60			57			55	54		52	51	50		48	47	46	45	44		42						37					35	34	33	73				32				28	27	26												19	18	17	SALEABLE	NOT APPLICABLE	34566-7513	9	A	BLACK	72	71	70	69	68			66	65	64	63		61	60			57	56			54	53	52	51	50	49	48			46	45	44	43			40	39	38	37	36				34	33	73				32	31	30	29	28							23	22	21	20						SALEABLE	NOT APPLICABLE	34566-7523	0	A	BLACK	72								64		62	61			59	58	57	56	55	54		52	51			48	47	46	45		43			41	40			37						33	73				32			30	29		27	26	25	24					20						SALEABLE	NOT APPLICABLE	34566-7533	0	G	BLUE	80	79	78								71	70			67								60	59	58	57			54			51	50	49	48	47			45	44			42	41		40	39		37	36		34	33	32		30	29	28	27			25	24	23	22	21				SALEABLE	NOT APPLICABLE	34566-7543 SAME AS P/N 34566-1553	0	A	BLACK	20	19	18					13	12	11		9	8			5			3	2	1		73																							73																									SALEABLE	NOT APPLICABLE	34566-7553 SAME AS P/N 34566-1983	0	B	ST GRAY																											73																														73																														SALEABLE	NOT APPLICABLE	34566-7563 SAME AS P/N 34566-1993	0	C	BLUE																											73																														73																														SALEABLE	NOT APPLICABLE	34566-7573	0	B	ST GRAY	72		70		68						62	61									55		52				48	47	46			43			40												73								30									8			22	21	20	19	18	17																																																																																																																																																											
						52	51	50	49	48			46	45	44	43	42		40	39	38	37	36			34																																																																																																																																																																																																																																																																																																																																																																																																																																																																																																																																																																																																																																																																																																																																																																																																																																																																																																																																																																																																																																																																																																																																																																																											
						73							31	30	29	28		26	25		23	22	21	20																																																																																																																																																																																																																																																																																																																																																																																																																																																																																																																																																																																																																																																																																																																																																																																																																																																																																																																																																																																																																																																																																																																																																																																													
SALEABLE	NOT APPLICABLE	34566-7453	0	C	BLUE		71	70			67	66	65	64			61	60			58	57			54		52	51	50	49	48	47		45	44			41			38	37						34	33	73				32				28	27			25											18	17	SALEABLE	NOT APPLICABLE	34566-7463	0	B	ST GRAY	72				68						62	61									55		52				48	47	46			43			40												73								30								8				22	21	20	19	18	SALEABLE	NOT APPLICABLE	34566-7473	0	B	ST GRAY	72				68	67				63	62	61									55		52				48	47	46			43			40												73								30			27				22	21	20	19	18					SALEABLE	NOT APPLICABLE	34566-7483	0	B	ST GRAY	72				68						62	61									55		52				48	47	46			43			40												73				16	15	14								8					22	21	20	19	18	17	SALEABLE	NOT APPLICABLE	34566-7493	0	C	BLUE				69		67			64		62		60			57			55	54		52	51	50		48	47	46	45	44		42						37					35	34	33	73				32				28	27	26												19	18	17	SALEABLE	NOT APPLICABLE	34566-7513	9	A	BLACK	72	71	70	69	68			66	65	64	63		61	60			57	56			54	53	52	51	50	49	48			46	45	44	43			40	39	38	37	36				34	33	73				32	31	30	29	28							23	22	21	20						SALEABLE	NOT APPLICABLE	34566-7523	0	A	BLACK	72								64		62	61			59	58	57	56	55	54		52	51			48	47	46	45		43			41	40			37						33	73				32			30	29		27	26	25	24					20						SALEABLE	NOT APPLICABLE	34566-7533	0	G	BLUE	80	79	78								71	70			67								60	59	58	57			54			51	50	49	48	47			45	44			42	41		40	39		37	36		34	33	32		30	29	28	27			25	24	23	22	21				SALEABLE	NOT APPLICABLE	34566-7543 SAME AS P/N 34566-1553	0	A	BLACK	20	19	18					13	12	11		9	8			5			3	2	1		73																							73																									SALEABLE	NOT APPLICABLE	34566-7553 SAME AS P/N 34566-1983	0	B	ST GRAY																											73																														73																														SALEABLE	NOT APPLICABLE	34566-7563 SAME AS P/N 34566-1993	0	C	BLUE																											73																														73																														SALEABLE	NOT APPLICABLE	34566-7573	0	B	ST GRAY	72		70		68						62	61									55		52				48	47	46			43			40												73								30									8			22	21	20	19	18	17																																																																																																																																																																																																																																							
						52	51	50	49	48	47		45	44			41			38	37						34	33																																																																																																																																																																																																																																																																																																																																																																																																																																																																																																																																																																																																																																																																																																																																																																																																																																																																																																																																																																																																																																																																																																																																																																																									
						73				32				28	27			25											18	17																																																																																																																																																																																																																																																																																																																																																																																																																																																																																																																																																																																																																																																																																																																																																																																																																																																																																																																																																																																																																																																																																																																																																																																							
SALEABLE	NOT APPLICABLE	34566-7463	0	B	ST GRAY	72				68						62	61									55		52				48	47	46			43			40												73								30								8				22	21	20	19	18	SALEABLE	NOT APPLICABLE	34566-7473	0	B	ST GRAY	72				68	67				63	62	61									55		52				48	47	46			43			40												73								30			27				22	21	20	19	18					SALEABLE	NOT APPLICABLE	34566-7483	0	B	ST GRAY	72				68						62	61									55		52				48	47	46			43			40												73				16	15	14								8					22	21	20	19	18	17	SALEABLE	NOT APPLICABLE	34566-7493	0	C	BLUE				69		67			64		62		60			57			55	54		52	51	50		48	47	46	45	44		42						37					35	34	33	73				32				28	27	26												19	18	17	SALEABLE	NOT APPLICABLE	34566-7513	9	A	BLACK	72	71	70	69	68			66	65	64	63		61	60			57	56			54	53	52	51	50	49	48			46	45	44	43			40	39	38	37	36				34	33	73				32	31	30	29	28							23	22	21	20						SALEABLE	NOT APPLICABLE	34566-7523	0	A	BLACK	72								64		62	61			59	58	57	56	55	54		52	51			48	47	46	45		43			41	40			37						33	73				32			30	29		27	26	25	24					20						SALEABLE	NOT APPLICABLE	34566-7533	0	G	BLUE	80	79	78								71	70			67								60	59	58	57			54			51	50	49	48	47			45	44			42	41		40	39		37	36		34	33	32		30	29	28	27			25	24	23	22	21				SALEABLE	NOT APPLICABLE	34566-7543 SAME AS P/N 34566-1553	0	A	BLACK	20	19	18					13	12	11		9	8			5			3	2	1		73																							73																									SALEABLE	NOT APPLICABLE	34566-7553 SAME AS P/N 34566-1983	0	B	ST GRAY																											73																														73																														SALEABLE	NOT APPLICABLE	34566-7563 SAME AS P/N 34566-1993	0	C	BLUE																											73																														73																														SALEABLE	NOT APPLICABLE	34566-7573	0	B	ST GRAY	72		70		68						62	61									55		52				48	47	46			43			40												73								30									8			22	21	20	19	18	17																																																																																																																																																																																																																																																																																																																		
						52				48	47	46			43			40																																																																																																																																																																																																																																																																																																																																																																																																																																																																																																																																																																																																																																																																																																																																																																																																																																																																																																																																																																																																																																																																																																																																																																																																			
						73								30								8				22	21	20	19	18																																																																																																																																																																																																																																																																																																																																																																																																																																																																																																																																																																																																																																																																																																																																																																																																																																																																																																																																																																																																																																																																																																																																																																																							
SALEABLE	NOT APPLICABLE	34566-7473	0	B	ST GRAY	72				68	67				63	62	61									55		52				48	47	46			43			40												73								30			27				22	21	20	19	18					SALEABLE	NOT APPLICABLE	34566-7483	0	B	ST GRAY	72				68						62	61									55		52				48	47	46			43			40												73				16	15	14								8					22	21	20	19	18	17	SALEABLE	NOT APPLICABLE	34566-7493	0	C	BLUE				69		67			64		62		60			57			55	54		52	51	50		48	47	46	45	44		42						37					35	34	33	73				32				28	27	26												19	18	17	SALEABLE	NOT APPLICABLE	34566-7513	9	A	BLACK	72	71	70	69	68			66	65	64	63		61	60			57	56			54	53	52	51	50	49	48			46	45	44	43			40	39	38	37	36				34	33	73				32	31	30	29	28							23	22	21	20						SALEABLE	NOT APPLICABLE	34566-7523	0	A	BLACK	72								64		62	61			59	58	57	56	55	54		52	51			48	47	46	45		43			41	40			37						33	73				32			30	29		27	26	25	24					20						SALEABLE	NOT APPLICABLE	34566-7533	0	G	BLUE	80	79	78								71	70			67								60	59	58	57			54			51	50	49	48	47			45	44			42	41		40	39		37	36		34	33	32		30	29	28	27			25	24	23	22	21				SALEABLE	NOT APPLICABLE	34566-7543 SAME AS P/N 34566-1553	0	A	BLACK	20	19	18					13	12	11		9	8			5			3	2	1		73																							73																									SALEABLE	NOT APPLICABLE	34566-7553 SAME AS P/N 34566-1983	0	B	ST GRAY																											73																														73																														SALEABLE	NOT APPLICABLE	34566-7563 SAME AS P/N 34566-1993	0	C	BLUE																											73																														73																														SALEABLE	NOT APPLICABLE	34566-7573	0	B	ST GRAY	72		70		68						62	61									55		52				48	47	46			43			40												73								30									8			22	21	20	19	18	17																																																																																																																																																																																																																																																																																																																																																																																															
						52				48	47	46			43			40																																																																																																																																																																																																																																																																																																																																																																																																																																																																																																																																																																																																																																																																																																																																																																																																																																																																																																																																																																																																																																																																																																																																																																																																			
						73								30			27				22	21	20	19	18																																																																																																																																																																																																																																																																																																																																																																																																																																																																																																																																																																																																																																																																																																																																																																																																																																																																																																																																																																																																																																																																																																																																																																																												
SALEABLE	NOT APPLICABLE	34566-7483	0	B	ST GRAY	72				68						62	61									55		52				48	47	46			43			40												73				16	15	14								8					22	21	20	19	18	17	SALEABLE	NOT APPLICABLE	34566-7493	0	C	BLUE				69		67			64		62		60			57			55	54		52	51	50		48	47	46	45	44		42						37					35	34	33	73				32				28	27	26												19	18	17	SALEABLE	NOT APPLICABLE	34566-7513	9	A	BLACK	72	71	70	69	68			66	65	64	63		61	60			57	56			54	53	52	51	50	49	48			46	45	44	43			40	39	38	37	36				34	33	73				32	31	30	29	28							23	22	21	20						SALEABLE	NOT APPLICABLE	34566-7523	0	A	BLACK	72								64		62	61			59	58	57	56	55	54		52	51			48	47	46	45		43			41	40			37						33	73				32			30	29		27	26	25	24					20						SALEABLE	NOT APPLICABLE	34566-7533	0	G	BLUE	80	79	78								71	70			67								60	59	58	57			54			51	50	49	48	47			45	44			42	41		40	39		37	36		34	33	32		30	29	28	27			25	24	23	22	21				SALEABLE	NOT APPLICABLE	34566-7543 SAME AS P/N 34566-1553	0	A	BLACK	20	19	18					13	12	11		9	8			5			3	2	1		73																							73																									SALEABLE	NOT APPLICABLE	34566-7553 SAME AS P/N 34566-1983	0	B	ST GRAY																											73																														73																														SALEABLE	NOT APPLICABLE	34566-7563 SAME AS P/N 34566-1993	0	C	BLUE																											73																														73																														SALEABLE	NOT APPLICABLE	34566-7573	0	B	ST GRAY	72		70		68						62	61									55		52				48	47	46			43			40												73								30									8			22	21	20	19	18	17																																																																																																																																																																																																																																																																																																																																																																																																																																																																											
						52				48	47	46			43			40																																																																																																																																																																																																																																																																																																																																																																																																																																																																																																																																																																																																																																																																																																																																																																																																																																																																																																																																																																																																																																																																																																																																																																																																			
						73				16	15	14								8					22	21	20	19	18	17																																																																																																																																																																																																																																																																																																																																																																																																																																																																																																																																																																																																																																																																																																																																																																																																																																																																																																																																																																																																																																																																																																																																																																																							
SALEABLE	NOT APPLICABLE	34566-7493	0	C	BLUE				69		67			64		62		60			57			55	54		52	51	50		48	47	46	45	44		42						37					35	34	33	73				32				28	27	26												19	18	17	SALEABLE	NOT APPLICABLE	34566-7513	9	A	BLACK	72	71	70	69	68			66	65	64	63		61	60			57	56			54	53	52	51	50	49	48			46	45	44	43			40	39	38	37	36				34	33	73				32	31	30	29	28							23	22	21	20						SALEABLE	NOT APPLICABLE	34566-7523	0	A	BLACK	72								64		62	61			59	58	57	56	55	54		52	51			48	47	46	45		43			41	40			37						33	73				32			30	29		27	26	25	24					20						SALEABLE	NOT APPLICABLE	34566-7533	0	G	BLUE	80	79	78								71	70			67								60	59	58	57			54			51	50	49	48	47			45	44			42	41		40	39		37	36		34	33	32		30	29	28	27			25	24	23	22	21				SALEABLE	NOT APPLICABLE	34566-7543 SAME AS P/N 34566-1553	0	A	BLACK	20	19	18					13	12	11		9	8			5			3	2	1		73																							73																									SALEABLE	NOT APPLICABLE	34566-7553 SAME AS P/N 34566-1983	0	B	ST GRAY																											73																														73																														SALEABLE	NOT APPLICABLE	34566-7563 SAME AS P/N 34566-1993	0	C	BLUE																											73																														73																														SALEABLE	NOT APPLICABLE	34566-7573	0	B	ST GRAY	72		70		68						62	61									55		52				48	47	46			43			40												73								30									8			22	21	20	19	18	17																																																																																																																																																																																																																																																																																																																																																																																																																																																																																																																																																								
						52	51	50		48	47	46	45	44		42						37					35	34	33																																																																																																																																																																																																																																																																																																																																																																																																																																																																																																																																																																																																																																																																																																																																																																																																																																																																																																																																																																																																																																																																																																																																																																																								
						73				32				28	27	26												19	18	17																																																																																																																																																																																																																																																																																																																																																																																																																																																																																																																																																																																																																																																																																																																																																																																																																																																																																																																																																																																																																																																																																																																																																																																							
SALEABLE	NOT APPLICABLE	34566-7513	9	A	BLACK	72	71	70	69	68			66	65	64	63		61	60			57	56			54	53	52	51	50	49	48			46	45	44	43			40	39	38	37	36				34	33	73				32	31	30	29	28							23	22	21	20						SALEABLE	NOT APPLICABLE	34566-7523	0	A	BLACK	72								64		62	61			59	58	57	56	55	54		52	51			48	47	46	45		43			41	40			37						33	73				32			30	29		27	26	25	24					20						SALEABLE	NOT APPLICABLE	34566-7533	0	G	BLUE	80	79	78								71	70			67								60	59	58	57			54			51	50	49	48	47			45	44			42	41		40	39		37	36		34	33	32		30	29	28	27			25	24	23	22	21				SALEABLE	NOT APPLICABLE	34566-7543 SAME AS P/N 34566-1553	0	A	BLACK	20	19	18					13	12	11		9	8			5			3	2	1		73																							73																									SALEABLE	NOT APPLICABLE	34566-7553 SAME AS P/N 34566-1983	0	B	ST GRAY																											73																														73																														SALEABLE	NOT APPLICABLE	34566-7563 SAME AS P/N 34566-1993	0	C	BLUE																											73																														73																														SALEABLE	NOT APPLICABLE	34566-7573	0	B	ST GRAY	72		70		68						62	61									55		52				48	47	46			43			40												73								30									8			22	21	20	19	18	17																																																																																																																																																																																																																																																																																																																																																																																																																																																																																																																																																																																																																																				
						52	51	50	49	48			46	45	44	43			40	39	38	37	36				34	33																																																																																																																																																																																																																																																																																																																																																																																																																																																																																																																																																																																																																																																																																																																																																																																																																																																																																																																																																																																																																																																																																																																																																																																									
						73				32	31	30	29	28							23	22	21	20																																																																																																																																																																																																																																																																																																																																																																																																																																																																																																																																																																																																																																																																																																																																																																																																																																																																																																																																																																																																																																																																																																																																																																																													
SALEABLE	NOT APPLICABLE	34566-7523	0	A	BLACK	72								64		62	61			59	58	57	56	55	54		52	51			48	47	46	45		43			41	40			37						33	73				32			30	29		27	26	25	24					20						SALEABLE	NOT APPLICABLE	34566-7533	0	G	BLUE	80	79	78								71	70			67								60	59	58	57			54			51	50	49	48	47			45	44			42	41		40	39		37	36		34	33	32		30	29	28	27			25	24	23	22	21				SALEABLE	NOT APPLICABLE	34566-7543 SAME AS P/N 34566-1553	0	A	BLACK	20	19	18					13	12	11		9	8			5			3	2	1		73																							73																									SALEABLE	NOT APPLICABLE	34566-7553 SAME AS P/N 34566-1983	0	B	ST GRAY																											73																														73																														SALEABLE	NOT APPLICABLE	34566-7563 SAME AS P/N 34566-1993	0	C	BLUE																											73																														73																														SALEABLE	NOT APPLICABLE	34566-7573	0	B	ST GRAY	72		70		68						62	61									55		52				48	47	46			43			40												73								30									8			22	21	20	19	18	17																																																																																																																																																																																																																																																																																																																																																																																																																																																																																																																																																																																																																																																																																																															
						52	51			48	47	46	45		43			41	40			37						33																																																																																																																																																																																																																																																																																																																																																																																																																																																																																																																																																																																																																																																																																																																																																																																																																																																																																																																																																																																																																																																																																																																																																																																									
						73				32			30	29		27	26	25	24					20																																																																																																																																																																																																																																																																																																																																																																																																																																																																																																																																																																																																																																																																																																																																																																																																																																																																																																																																																																																																																																																																																																																																																																																													
SALEABLE	NOT APPLICABLE	34566-7533	0	G	BLUE	80	79	78								71	70			67								60	59	58	57			54			51	50	49	48	47			45	44			42	41		40	39		37	36		34	33	32		30	29	28	27			25	24	23	22	21				SALEABLE	NOT APPLICABLE	34566-7543 SAME AS P/N 34566-1553	0	A	BLACK	20	19	18					13	12	11		9	8			5			3	2	1		73																							73																									SALEABLE	NOT APPLICABLE	34566-7553 SAME AS P/N 34566-1983	0	B	ST GRAY																											73																														73																														SALEABLE	NOT APPLICABLE	34566-7563 SAME AS P/N 34566-1993	0	C	BLUE																											73																														73																														SALEABLE	NOT APPLICABLE	34566-7573	0	B	ST GRAY	72		70		68						62	61									55		52				48	47	46			43			40												73								30									8			22	21	20	19	18	17																																																																																																																																																																																																																																																																																																																																																																																																																																																																																																																																																																																																																																																																																																																																																																																									
						60	59	58	57			54			51	50	49	48	47			45	44			42	41																																																																																																																																																																																																																																																																																																																																																																																																																																																																																																																																																																																																																																																																																																																																																																																																																																																																																																																																																																																																																																																																																																																																																																																										
						40	39		37	36		34	33	32		30	29	28	27			25	24	23	22	21																																																																																																																																																																																																																																																																																																																																																																																																																																																																																																																																																																																																																																																																																																																																																																																																																																																																																																																																																																																																																																																																																																																																																																																											
SALEABLE	NOT APPLICABLE	34566-7543 SAME AS P/N 34566-1553	0	A	BLACK	20	19	18					13	12	11		9	8			5			3	2	1		73																							73																									SALEABLE	NOT APPLICABLE	34566-7553 SAME AS P/N 34566-1983	0	B	ST GRAY																											73																														73																														SALEABLE	NOT APPLICABLE	34566-7563 SAME AS P/N 34566-1993	0	C	BLUE																											73																														73																														SALEABLE	NOT APPLICABLE	34566-7573	0	B	ST GRAY	72		70		68						62	61									55		52				48	47	46			43			40												73								30									8			22	21	20	19	18	17																																																																																																																																																																																																																																																																																																																																																																																																																																																																																																																																																																																																																																																																																																																																																																																																																																																																				
						73																																																																																																																																																																																																																																																																																																																																																																																																																																																																																																																																																																																																																																																																																																																																																																																																																																																																																																																																																																																																																																																																																																																																																																																																															
						73																																																																																																																																																																																																																																																																																																																																																																																																																																																																																																																																																																																																																																																																																																																																																																																																																																																																																																																																																																																																																																																																																																																																																																																																															
SALEABLE	NOT APPLICABLE	34566-7553 SAME AS P/N 34566-1983	0	B	ST GRAY																																																																																																																																																																																																																																																																																																																																																																																																																																																																																																																																																																																																																																																																																																																																																																																																																																																																																																																																																																																																																																																																																																																																																																																																																
						73																																																																																																																																																																																																																																																																																																																																																																																																																																																																																																																																																																																																																																																																																																																																																																																																																																																																																																																																																																																																																																																																																																																																																																																																															
						73																																																																																																																																																																																																																																																																																																																																																																																																																																																																																																																																																																																																																																																																																																																																																																																																																																																																																																																																																																																																																																																																																																																																																																																																															
SALEABLE	NOT APPLICABLE	34566-7563 SAME AS P/N 34566-1993	0	C	BLUE																																																																																																																																																																																																																																																																																																																																																																																																																																																																																																																																																																																																																																																																																																																																																																																																																																																																																																																																																																																																																																																																																																																																																																																																																
						73																																																																																																																																																																																																																																																																																																																																																																																																																																																																																																																																																																																																																																																																																																																																																																																																																																																																																																																																																																																																																																																																																																																																																																																																															
						73																																																																																																																																																																																																																																																																																																																																																																																																																																																																																																																																																																																																																																																																																																																																																																																																																																																																																																																																																																																																																																																																																																																																																																																																															
SALEABLE	NOT APPLICABLE	34566-7573	0	B	ST GRAY	72		70		68						62	61									55		52				48	47	46			43			40												73								30									8			22	21	20	19	18	17																																																																																																																																																																																																																																																																																																																																																																																																																																																																																																																																																																																																																																																																																																																																																																																																																																																																																																																																																																																																																																																																																																																																								
						52				48	47	46			43			40																																																																																																																																																																																																																																																																																																																																																																																																																																																																																																																																																																																																																																																																																																																																																																																																																																																																																																																																																																																																																																																																																																																																																																																																			
						73								30									8			22	21	20	19	18	17																																																																																																																																																																																																																																																																																																																																																																																																																																																																																																																																																																																																																																																																																																																																																																																																																																																																																																																																																																																																																																																																																																																																																																																						



MX123 52/66/73/80-WAY RECEPTACLE ASSY SEALED PIN OUT SHEET

STATUS	GM PART #	HRNS CONN ASSY			TPA	GROMMET CAP																																																																																																																																																																																																																																																																																																																																																																																																																																																																																																																																																																																																																																																																																																																																																																																																																																																																																																																																																																																																																	
		MATERIAL/PART	WIRE DRESS OPTION	KEY OPTION 		COLOR OPTION 	NUMBERS INDICATE CAVITIES OPEN FOR CIRCUITS 																																																																																																																																																																																																																																																																																																																																																																																																																																																																																																																																																																																																																																																																																																																																																																																																																																																																																																																																																																																																																
		NUMBER																																																																																																																																																																																																																																																																																																																																																																																																																																																																																																																																																																																																																																																																																																																																																																																																																																																																																																																																																																																																																					
SALEABLE	NOT APPLICABLE	34566-7683	9	B	ST GRY	72	71	70	69	68	67	66	65	64	63	62	61	60	59		57	56	55			52	51	50	49	48	47	46	45	44	43		26	25	24	23	22	21	20	19	18	17	73				32	31	30	29	28		26	25	24	23	22	21	20	19	18	17			SALEABLE	NOT APPLICABLE	34566-7693	9	A	BLACK	72							64		62	61			57	56	55	54		52	51					46	45		43		40			37		35	34			73				32	31	30	29	27		25				20							SALEABLE	NOT APPLICABLE	34566-7713	9	A	BLACK	72							64		62	61		58	57	56	55	54		52	51			48		46	45		43		41	40		37		35	34			73				32		30	29		27		25			20							SALEABLE	NOT APPLICABLE	34566-7723	9	A	BLACK	72							64		62	61			57	56	55	54	53	52	51			48		46	45		43		41	40		37		35	34			73				32		30	29		27		25			20							SALEABLE	NOT APPLICABLE	34566-7733	9	A	BLACK	72							64		62	61		58	57	56	55	54	53	52	51			48		46	45		43		41	40		37		35	34			73				32		30	29		27		25			20							SALEABLE	NOT APPLICABLE	34566-7743	0	C	BLUE	72		70		68	67	66		64	63	62	61	60	59	57					52	51		49	48	47	46		44		41	40	39		37	36	35	34	33		73				32		30			27	26	25	24		22	21	20					SALEABLE	NOT APPLICABLE	34566-7753	0	A	BLACK		71	70	69	68	67			64	63	62	61	60	59	58	57	56	55	54	53	52	51	50	49			45	44	43	42	41		39	38	37	36		34				73				32	31		29	28	27	26	25			19	18							SALEABLE	NOT APPLICABLE	34566-7763	0	F	NATURAL																			73																				SALEABLE	NOT APPLICABLE	34566-7773	0	B	ST GRY	72		70			67				63	62	61	60	59						52					46			43		41	40										73				16		14			11				6		4						SALEABLE	TBD	34822-0153	9	A	BLACK		63	62	61	60	59				54	53		51		49	66					47								38	37		35		33							65							15	14	13			25		8	7		22	21	20	19	18	17	SALEABLE	NOT APPLICABLE	34566-7783	0	A	BLACK	72	71	70	69	68		66	65	64	63		60		57	56		54			52	51	50	49	48		46	45	44	43	42	41	40	39	38	37	36		34			73				32	31	30	29	28		26	25		23	22	21					2	1	SALEABLE	NOT APPLICABLE	34566-7793	0	A	BLACK	72		70			67	66	65		63		60	59	58	57	56	55			52	51		49	48	47	46	45		43	42		40	39	38	37	36	35			73								28	27			23	22	21				18	17			SALEABLE	NOT APPLICABLE	34566-7813	0	A	BLACK			70	69	68	67				63	62	61	60	59	58	57	56	55	54	53	52	51	50	49					44	43	42	41	40	39	38	37	36		34			73				32			29	28	27	26	25			21		19	18					SALEABLE	NOT APPLICABLE	34566-7823	0	B	ST GRY					68	67				63	62	61	60	59						52				48	47	46		44	43		41	40		38	37	36	35				73						30			27					20	19	18					SALEABLE	NOT APPLICABLE	34566-7833	0	B	ST GRY	72	71	70	69	68	67	66	65	64	63		61	60	59		57	56	55			52	51	50	49	48	47	46	45	44	43		41	40	39	38	37	36	35	34	33		73				32	31	30	29	28		26	25	24	23	22	21	20	19	18	17		
						52	51	50	49	48	47	46	45	44	43		26	25	24	23	22	21	20	19	18	17																																																																																																																																																																																																																																																																																																																																																																																																																																																																																																																																																																																																																																																																																																																																																																																																																																																																																																																																																																																													
						73				32	31	30	29	28		26	25	24	23	22	21	20	19	18	17																																																																																																																																																																																																																																																																																																																																																																																																																																																																																																																																																																																																																																																																																																																																																																																																																																																																																																																																																																																														
SALEABLE	NOT APPLICABLE	34566-7693	9	A	BLACK	72							64		62	61			57	56	55	54		52	51					46	45		43		40			37		35	34			73				32	31	30	29	27		25				20							SALEABLE	NOT APPLICABLE	34566-7713	9	A	BLACK	72							64		62	61		58	57	56	55	54		52	51			48		46	45		43		41	40		37		35	34			73				32		30	29		27		25			20							SALEABLE	NOT APPLICABLE	34566-7723	9	A	BLACK	72							64		62	61			57	56	55	54	53	52	51			48		46	45		43		41	40		37		35	34			73				32		30	29		27		25			20							SALEABLE	NOT APPLICABLE	34566-7733	9	A	BLACK	72							64		62	61		58	57	56	55	54	53	52	51			48		46	45		43		41	40		37		35	34			73				32		30	29		27		25			20							SALEABLE	NOT APPLICABLE	34566-7743	0	C	BLUE	72		70		68	67	66		64	63	62	61	60	59	57					52	51		49	48	47	46		44		41	40	39		37	36	35	34	33		73				32		30			27	26	25	24		22	21	20					SALEABLE	NOT APPLICABLE	34566-7753	0	A	BLACK		71	70	69	68	67			64	63	62	61	60	59	58	57	56	55	54	53	52	51	50	49			45	44	43	42	41		39	38	37	36		34				73				32	31		29	28	27	26	25			19	18							SALEABLE	NOT APPLICABLE	34566-7763	0	F	NATURAL																			73																				SALEABLE	NOT APPLICABLE	34566-7773	0	B	ST GRY	72		70			67				63	62	61	60	59						52					46			43		41	40										73				16		14			11				6		4						SALEABLE	TBD	34822-0153	9	A	BLACK		63	62	61	60	59				54	53		51		49	66					47								38	37		35		33							65							15	14	13			25		8	7		22	21	20	19	18	17	SALEABLE	NOT APPLICABLE	34566-7783	0	A	BLACK	72	71	70	69	68		66	65	64	63		60		57	56		54			52	51	50	49	48		46	45	44	43	42	41	40	39	38	37	36		34			73				32	31	30	29	28		26	25		23	22	21					2	1	SALEABLE	NOT APPLICABLE	34566-7793	0	A	BLACK	72		70			67	66	65		63		60	59	58	57	56	55			52	51		49	48	47	46	45		43	42		40	39	38	37	36	35			73								28	27			23	22	21				18	17			SALEABLE	NOT APPLICABLE	34566-7813	0	A	BLACK			70	69	68	67				63	62	61	60	59	58	57	56	55	54	53	52	51	50	49					44	43	42	41	40	39	38	37	36		34			73				32			29	28	27	26	25			21		19	18					SALEABLE	NOT APPLICABLE	34566-7823	0	B	ST GRY					68	67				63	62	61	60	59						52				48	47	46		44	43		41	40		38	37	36	35				73						30			27					20	19	18					SALEABLE	NOT APPLICABLE	34566-7833	0	B	ST GRY	72	71	70	69	68	67	66	65	64	63		61	60	59		57	56	55			52	51	50	49	48	47	46	45	44	43		41	40	39	38	37	36	35	34	33		73				32	31	30	29	28		26	25	24	23	22	21	20	19	18	17																																																																							
						52	51					46	45		43		40			37		35	34																																																																																																																																																																																																																																																																																																																																																																																																																																																																																																																																																																																																																																																																																																																																																																																																																																																																																																																																																																																																
						73				32	31	30	29	27		25				20																																																																																																																																																																																																																																																																																																																																																																																																																																																																																																																																																																																																																																																																																																																																																																																																																																																																																																																																																																																																			
SALEABLE	NOT APPLICABLE	34566-7713	9	A	BLACK	72							64		62	61		58	57	56	55	54		52	51			48		46	45		43		41	40		37		35	34			73				32		30	29		27		25			20							SALEABLE	NOT APPLICABLE	34566-7723	9	A	BLACK	72							64		62	61			57	56	55	54	53	52	51			48		46	45		43		41	40		37		35	34			73				32		30	29		27		25			20							SALEABLE	NOT APPLICABLE	34566-7733	9	A	BLACK	72							64		62	61		58	57	56	55	54	53	52	51			48		46	45		43		41	40		37		35	34			73				32		30	29		27		25			20							SALEABLE	NOT APPLICABLE	34566-7743	0	C	BLUE	72		70		68	67	66		64	63	62	61	60	59	57					52	51		49	48	47	46		44		41	40	39		37	36	35	34	33		73				32		30			27	26	25	24		22	21	20					SALEABLE	NOT APPLICABLE	34566-7753	0	A	BLACK		71	70	69	68	67			64	63	62	61	60	59	58	57	56	55	54	53	52	51	50	49			45	44	43	42	41		39	38	37	36		34				73				32	31		29	28	27	26	25			19	18							SALEABLE	NOT APPLICABLE	34566-7763	0	F	NATURAL																			73																				SALEABLE	NOT APPLICABLE	34566-7773	0	B	ST GRY	72		70			67				63	62	61	60	59						52					46			43		41	40										73				16		14			11				6		4						SALEABLE	TBD	34822-0153	9	A	BLACK		63	62	61	60	59				54	53		51		49	66					47								38	37		35		33							65							15	14	13			25		8	7		22	21	20	19	18	17	SALEABLE	NOT APPLICABLE	34566-7783	0	A	BLACK	72	71	70	69	68		66	65	64	63		60		57	56		54			52	51	50	49	48		46	45	44	43	42	41	40	39	38	37	36		34			73				32	31	30	29	28		26	25		23	22	21					2	1	SALEABLE	NOT APPLICABLE	34566-7793	0	A	BLACK	72		70			67	66	65		63		60	59	58	57	56	55			52	51		49	48	47	46	45		43	42		40	39	38	37	36	35			73								28	27			23	22	21				18	17			SALEABLE	NOT APPLICABLE	34566-7813	0	A	BLACK			70	69	68	67				63	62	61	60	59	58	57	56	55	54	53	52	51	50	49					44	43	42	41	40	39	38	37	36		34			73				32			29	28	27	26	25			21		19	18					SALEABLE	NOT APPLICABLE	34566-7823	0	B	ST GRY					68	67				63	62	61	60	59						52				48	47	46		44	43		41	40		38	37	36	35				73						30			27					20	19	18					SALEABLE	NOT APPLICABLE	34566-7833	0	B	ST GRY	72	71	70	69	68	67	66	65	64	63		61	60	59		57	56	55			52	51	50	49	48	47	46	45	44	43		41	40	39	38	37	36	35	34	33		73				32	31	30	29	28		26	25	24	23	22	21	20	19	18	17																																																																																																																																								
						52	51			48		46	45		43		41	40		37		35	34																																																																																																																																																																																																																																																																																																																																																																																																																																																																																																																																																																																																																																																																																																																																																																																																																																																																																																																																																																																																
						73				32		30	29		27		25			20																																																																																																																																																																																																																																																																																																																																																																																																																																																																																																																																																																																																																																																																																																																																																																																																																																																																																																																																																																																																			
SALEABLE	NOT APPLICABLE	34566-7723	9	A	BLACK	72							64		62	61			57	56	55	54	53	52	51			48		46	45		43		41	40		37		35	34			73				32		30	29		27		25			20							SALEABLE	NOT APPLICABLE	34566-7733	9	A	BLACK	72							64		62	61		58	57	56	55	54	53	52	51			48		46	45		43		41	40		37		35	34			73				32		30	29		27		25			20							SALEABLE	NOT APPLICABLE	34566-7743	0	C	BLUE	72		70		68	67	66		64	63	62	61	60	59	57					52	51		49	48	47	46		44		41	40	39		37	36	35	34	33		73				32		30			27	26	25	24		22	21	20					SALEABLE	NOT APPLICABLE	34566-7753	0	A	BLACK		71	70	69	68	67			64	63	62	61	60	59	58	57	56	55	54	53	52	51	50	49			45	44	43	42	41		39	38	37	36		34				73				32	31		29	28	27	26	25			19	18							SALEABLE	NOT APPLICABLE	34566-7763	0	F	NATURAL																			73																				SALEABLE	NOT APPLICABLE	34566-7773	0	B	ST GRY	72		70			67				63	62	61	60	59						52					46			43		41	40										73				16		14			11				6		4						SALEABLE	TBD	34822-0153	9	A	BLACK		63	62	61	60	59				54	53		51		49	66					47								38	37		35		33							65							15	14	13			25		8	7		22	21	20	19	18	17	SALEABLE	NOT APPLICABLE	34566-7783	0	A	BLACK	72	71	70	69	68		66	65	64	63		60		57	56		54			52	51	50	49	48		46	45	44	43	42	41	40	39	38	37	36		34			73				32	31	30	29	28		26	25		23	22	21					2	1	SALEABLE	NOT APPLICABLE	34566-7793	0	A	BLACK	72		70			67	66	65		63		60	59	58	57	56	55			52	51		49	48	47	46	45		43	42		40	39	38	37	36	35			73								28	27			23	22	21				18	17			SALEABLE	NOT APPLICABLE	34566-7813	0	A	BLACK			70	69	68	67				63	62	61	60	59	58	57	56	55	54	53	52	51	50	49					44	43	42	41	40	39	38	37	36		34			73				32			29	28	27	26	25			21		19	18					SALEABLE	NOT APPLICABLE	34566-7823	0	B	ST GRY					68	67				63	62	61	60	59						52				48	47	46		44	43		41	40		38	37	36	35				73						30			27					20	19	18					SALEABLE	NOT APPLICABLE	34566-7833	0	B	ST GRY	72	71	70	69	68	67	66	65	64	63		61	60	59		57	56	55			52	51	50	49	48	47	46	45	44	43		41	40	39	38	37	36	35	34	33		73				32	31	30	29	28		26	25	24	23	22	21	20	19	18	17																																																																																																																																																																																																									
						52	51			48		46	45		43		41	40		37		35	34																																																																																																																																																																																																																																																																																																																																																																																																																																																																																																																																																																																																																																																																																																																																																																																																																																																																																																																																																																																																
						73				32		30	29		27		25			20																																																																																																																																																																																																																																																																																																																																																																																																																																																																																																																																																																																																																																																																																																																																																																																																																																																																																																																																																																																																			
SALEABLE	NOT APPLICABLE	34566-7733	9	A	BLACK	72							64		62	61		58	57	56	55	54	53	52	51			48		46	45		43		41	40		37		35	34			73				32		30	29		27		25			20							SALEABLE	NOT APPLICABLE	34566-7743	0	C	BLUE	72		70		68	67	66		64	63	62	61	60	59	57					52	51		49	48	47	46		44		41	40	39		37	36	35	34	33		73				32		30			27	26	25	24		22	21	20					SALEABLE	NOT APPLICABLE	34566-7753	0	A	BLACK		71	70	69	68	67			64	63	62	61	60	59	58	57	56	55	54	53	52	51	50	49			45	44	43	42	41		39	38	37	36		34				73				32	31		29	28	27	26	25			19	18							SALEABLE	NOT APPLICABLE	34566-7763	0	F	NATURAL																			73																				SALEABLE	NOT APPLICABLE	34566-7773	0	B	ST GRY	72		70			67				63	62	61	60	59						52					46			43		41	40										73				16		14			11				6		4						SALEABLE	TBD	34822-0153	9	A	BLACK		63	62	61	60	59				54	53		51		49	66					47								38	37		35		33							65							15	14	13			25		8	7		22	21	20	19	18	17	SALEABLE	NOT APPLICABLE	34566-7783	0	A	BLACK	72	71	70	69	68		66	65	64	63		60		57	56		54			52	51	50	49	48		46	45	44	43	42	41	40	39	38	37	36		34			73				32	31	30	29	28		26	25		23	22	21					2	1	SALEABLE	NOT APPLICABLE	34566-7793	0	A	BLACK	72		70			67	66	65		63		60	59	58	57	56	55			52	51		49	48	47	46	45		43	42		40	39	38	37	36	35			73								28	27			23	22	21				18	17			SALEABLE	NOT APPLICABLE	34566-7813	0	A	BLACK			70	69	68	67				63	62	61	60	59	58	57	56	55	54	53	52	51	50	49					44	43	42	41	40	39	38	37	36		34			73				32			29	28	27	26	25			21		19	18					SALEABLE	NOT APPLICABLE	34566-7823	0	B	ST GRY					68	67				63	62	61	60	59						52				48	47	46		44	43		41	40		38	37	36	35				73						30			27					20	19	18					SALEABLE	NOT APPLICABLE	34566-7833	0	B	ST GRY	72	71	70	69	68	67	66	65	64	63		61	60	59		57	56	55			52	51	50	49	48	47	46	45	44	43		41	40	39	38	37	36	35	34	33		73				32	31	30	29	28		26	25	24	23	22	21	20	19	18	17																																																																																																																																																																																																																																																																										
						52	51			48		46	45		43		41	40		37		35	34																																																																																																																																																																																																																																																																																																																																																																																																																																																																																																																																																																																																																																																																																																																																																																																																																																																																																																																																																																																																
						73				32		30	29		27		25			20																																																																																																																																																																																																																																																																																																																																																																																																																																																																																																																																																																																																																																																																																																																																																																																																																																																																																																																																																																																																			
SALEABLE	NOT APPLICABLE	34566-7743	0	C	BLUE	72		70		68	67	66		64	63	62	61	60	59	57					52	51		49	48	47	46		44		41	40	39		37	36	35	34	33		73				32		30			27	26	25	24		22	21	20					SALEABLE	NOT APPLICABLE	34566-7753	0	A	BLACK		71	70	69	68	67			64	63	62	61	60	59	58	57	56	55	54	53	52	51	50	49			45	44	43	42	41		39	38	37	36		34				73				32	31		29	28	27	26	25			19	18							SALEABLE	NOT APPLICABLE	34566-7763	0	F	NATURAL																			73																				SALEABLE	NOT APPLICABLE	34566-7773	0	B	ST GRY	72		70			67				63	62	61	60	59						52					46			43		41	40										73				16		14			11				6		4						SALEABLE	TBD	34822-0153	9	A	BLACK		63	62	61	60	59				54	53		51		49	66					47								38	37		35		33							65							15	14	13			25		8	7		22	21	20	19	18	17	SALEABLE	NOT APPLICABLE	34566-7783	0	A	BLACK	72	71	70	69	68		66	65	64	63		60		57	56		54			52	51	50	49	48		46	45	44	43	42	41	40	39	38	37	36		34			73				32	31	30	29	28		26	25		23	22	21					2	1	SALEABLE	NOT APPLICABLE	34566-7793	0	A	BLACK	72		70			67	66	65		63		60	59	58	57	56	55			52	51		49	48	47	46	45		43	42		40	39	38	37	36	35			73								28	27			23	22	21				18	17			SALEABLE	NOT APPLICABLE	34566-7813	0	A	BLACK			70	69	68	67				63	62	61	60	59	58	57	56	55	54	53	52	51	50	49					44	43	42	41	40	39	38	37	36		34			73				32			29	28	27	26	25			21		19	18					SALEABLE	NOT APPLICABLE	34566-7823	0	B	ST GRY					68	67				63	62	61	60	59						52				48	47	46		44	43		41	40		38	37	36	35				73						30			27					20	19	18					SALEABLE	NOT APPLICABLE	34566-7833	0	B	ST GRY	72	71	70	69	68	67	66	65	64	63		61	60	59		57	56	55			52	51	50	49	48	47	46	45	44	43		41	40	39	38	37	36	35	34	33		73				32	31	30	29	28		26	25	24	23	22	21	20	19	18	17																																																																																																																																																																																																																																																																																																																																											
						52	51		49	48	47	46		44		41	40	39		37	36	35	34	33																																																																																																																																																																																																																																																																																																																																																																																																																																																																																																																																																																																																																																																																																																																																																																																																																																																																																																																																																																																															
						73				32		30			27	26	25	24		22	21	20																																																																																																																																																																																																																																																																																																																																																																																																																																																																																																																																																																																																																																																																																																																																																																																																																																																																																																																																																																																																	
SALEABLE	NOT APPLICABLE	34566-7753	0	A	BLACK		71	70	69	68	67			64	63	62	61	60	59	58	57	56	55	54	53	52	51	50	49			45	44	43	42	41		39	38	37	36		34				73				32	31		29	28	27	26	25			19	18							SALEABLE	NOT APPLICABLE	34566-7763	0	F	NATURAL																			73																				SALEABLE	NOT APPLICABLE	34566-7773	0	B	ST GRY	72		70			67				63	62	61	60	59						52					46			43		41	40										73				16		14			11				6		4						SALEABLE	TBD	34822-0153	9	A	BLACK		63	62	61	60	59				54	53		51		49	66					47								38	37		35		33							65							15	14	13			25		8	7		22	21	20	19	18	17	SALEABLE	NOT APPLICABLE	34566-7783	0	A	BLACK	72	71	70	69	68		66	65	64	63		60		57	56		54			52	51	50	49	48		46	45	44	43	42	41	40	39	38	37	36		34			73				32	31	30	29	28		26	25		23	22	21					2	1	SALEABLE	NOT APPLICABLE	34566-7793	0	A	BLACK	72		70			67	66	65		63		60	59	58	57	56	55			52	51		49	48	47	46	45		43	42		40	39	38	37	36	35			73								28	27			23	22	21				18	17			SALEABLE	NOT APPLICABLE	34566-7813	0	A	BLACK			70	69	68	67				63	62	61	60	59	58	57	56	55	54	53	52	51	50	49					44	43	42	41	40	39	38	37	36		34			73				32			29	28	27	26	25			21		19	18					SALEABLE	NOT APPLICABLE	34566-7823	0	B	ST GRY					68	67				63	62	61	60	59						52				48	47	46		44	43		41	40		38	37	36	35				73						30			27					20	19	18					SALEABLE	NOT APPLICABLE	34566-7833	0	B	ST GRY	72	71	70	69	68	67	66	65	64	63		61	60	59		57	56	55			52	51	50	49	48	47	46	45	44	43		41	40	39	38	37	36	35	34	33		73				32	31	30	29	28		26	25	24	23	22	21	20	19	18	17																																																																																																																																																																																																																																																																																																																																																																																																													
						52	51	50	49			45	44	43	42	41		39	38	37	36		34																																																																																																																																																																																																																																																																																																																																																																																																																																																																																																																																																																																																																																																																																																																																																																																																																																																																																																																																																																																																
						73				32	31		29	28	27	26	25			19	18																																																																																																																																																																																																																																																																																																																																																																																																																																																																																																																																																																																																																																																																																																																																																																																																																																																																																																																																																																																																		
SALEABLE	NOT APPLICABLE	34566-7763	0	F	NATURAL																			73																				SALEABLE	NOT APPLICABLE	34566-7773	0	B	ST GRY	72		70			67				63	62	61	60	59						52					46			43		41	40										73				16		14			11				6		4						SALEABLE	TBD	34822-0153	9	A	BLACK		63	62	61	60	59				54	53		51		49	66					47								38	37		35		33							65							15	14	13			25		8	7		22	21	20	19	18	17	SALEABLE	NOT APPLICABLE	34566-7783	0	A	BLACK	72	71	70	69	68		66	65	64	63		60		57	56		54			52	51	50	49	48		46	45	44	43	42	41	40	39	38	37	36		34			73				32	31	30	29	28		26	25		23	22	21					2	1	SALEABLE	NOT APPLICABLE	34566-7793	0	A	BLACK	72		70			67	66	65		63		60	59	58	57	56	55			52	51		49	48	47	46	45		43	42		40	39	38	37	36	35			73								28	27			23	22	21				18	17			SALEABLE	NOT APPLICABLE	34566-7813	0	A	BLACK			70	69	68	67				63	62	61	60	59	58	57	56	55	54	53	52	51	50	49					44	43	42	41	40	39	38	37	36		34			73				32			29	28	27	26	25			21		19	18					SALEABLE	NOT APPLICABLE	34566-7823	0	B	ST GRY					68	67				63	62	61	60	59						52				48	47	46		44	43		41	40		38	37	36	35				73						30			27					20	19	18					SALEABLE	NOT APPLICABLE	34566-7833	0	B	ST GRY	72	71	70	69	68	67	66	65	64	63		61	60	59		57	56	55			52	51	50	49	48	47	46	45	44	43		41	40	39	38	37	36	35	34	33		73				32	31	30	29	28		26	25	24	23	22	21	20	19	18	17																																																																																																																																																																																																																																																																																																																																																																																																																																																																																		
						73																																																																																																																																																																																																																																																																																																																																																																																																																																																																																																																																																																																																																																																																																																																																																																																																																																																																																																																																																																																																																	
						SALEABLE	NOT APPLICABLE	34566-7773	0	B	ST GRY	72		70			67				63	62	61	60	59						52					46			43		41	40																73				16		14			11				6		4						SALEABLE	TBD	34822-0153	9	A	BLACK		63	62	61	60	59				54	53		51		49	66					47														38	37		35		33							65							15	14	13			25		8	7		22	21	20	19	18	17	SALEABLE	NOT APPLICABLE	34566-7783	0	A	BLACK	72	71	70	69	68		66	65	64	63		60		57	56		54			52							51	50	49	48		46	45	44	43	42	41	40	39	38	37	36		34			73				32	31	30	29	28		26	25		23	22	21					2	1	SALEABLE	NOT APPLICABLE	34566-7793	0	A	BLACK	72		70			67	66	65		63		60	59	58							57	56	55			52	51		49	48	47	46	45		43	42		40	39	38	37	36	35			73								28	27			23	22	21				18	17			SALEABLE	NOT APPLICABLE	34566-7813	0	A	BLACK			70	69	68	67										63	62	61	60	59	58	57	56	55	54	53	52	51	50	49					44	43	42	41	40	39	38	37	36		34			73				32			29	28	27	26	25			21		19	18					SALEABLE	NOT APPLICABLE	34566-7823	0	B	ST GRY											68	67				63	62	61	60	59						52				48	47	46		44	43		41	40		38	37	36	35				73						30			27					20	19	18					SALEABLE	NOT APPLICABLE							34566-7833	0	B	ST GRY	72	71	70	69	68	67	66	65	64	63		61	60	59		57	56	55			52	51	50	49	48	47	46	45	44	43		41	40	39	38	37	36	35	34	33		73				32	31	30	29	28		26	25	24	23	22	21	20	19	18	17																																																																																																																																																																																																																																																																																																																																																																																																																																																																														
52					46									43		41	40																																																																																																																																																																																																																																																																																																																																																																																																																																																																																																																																																																																																																																																																																																																																																																																																																																																																																																																																																																																																						
73				16								14			11				6		4																																																																																																																																																																																																																																																																																																																																																																																																																																																																																																																																																																																																																																																																																																																																																																																																																																																																																																																																																																																																		
SALEABLE	TBD	34822-0153	9	A	BLACK		63	62	61	60	59				54	53		51		49	66																																																																																																																																																																																																																																																																																																																																																																																																																																																																																																																																																																																																																																																																																																																																																																																																																																																																																																																																																																																																		
							47								38	37		35		33																																																																																																																																																																																																																																																																																																																																																																																																																																																																																																																																																																																																																																																																																																																																																																																																																																																																																																																																																																																																			
						65							15	14	13			25		8	7		22	21	20	19	18	17																																																																																																																																																																																																																																																																																																																																																																																																																																																																																																																																																																																																																																																																																																																																																																																																																																																																																																																																																																																											
SALEABLE	NOT APPLICABLE	34566-7783	0	A	BLACK	72	71	70	69	68		66	65	64	63		60		57	56		54			52	51	50	49	48		46	45	44	43	42	41	40	39	38	37	36		34			73				32	31	30	29	28		26	25		23	22	21					2	1	SALEABLE	NOT APPLICABLE	34566-7793	0	A	BLACK	72		70			67	66	65		63		60	59	58	57	56	55			52	51		49	48	47	46	45		43	42		40	39	38	37	36	35			73								28	27			23	22	21				18	17			SALEABLE	NOT APPLICABLE	34566-7813	0	A	BLACK			70	69	68	67				63	62	61	60	59	58	57	56	55	54	53	52	51	50	49					44	43	42	41	40	39	38	37	36		34			73				32			29	28	27	26	25			21		19	18					SALEABLE	NOT APPLICABLE	34566-7823	0	B	ST GRY					68	67				63	62	61	60	59						52				48	47	46		44	43		41	40		38	37	36	35				73						30			27					20	19	18					SALEABLE	NOT APPLICABLE	34566-7833	0	B	ST GRY	72	71	70	69	68	67	66	65	64	63		61	60	59		57	56	55			52	51	50	49	48	47	46	45	44	43		41	40	39	38	37	36	35	34	33		73				32	31	30	29	28		26	25	24	23	22	21	20	19	18	17																																																																																																																																																																																																																																																																																																																																																																																																																																																																																																																																																																																																																																																																						
						52	51	50	49	48		46	45	44	43	42	41	40	39	38	37	36		34																																																																																																																																																																																																																																																																																																																																																																																																																																																																																																																																																																																																																																																																																																																																																																																																																																																																																																																																																																																															
						73				32	31	30	29	28		26	25		23	22	21					2	1																																																																																																																																																																																																																																																																																																																																																																																																																																																																																																																																																																																																																																																																																																																																																																																																																																																																																																																																																																																												
SALEABLE	NOT APPLICABLE	34566-7793	0	A	BLACK	72		70			67	66	65		63		60	59	58	57	56	55			52	51		49	48	47	46	45		43	42		40	39	38	37	36	35			73								28	27			23	22	21				18	17			SALEABLE	NOT APPLICABLE	34566-7813	0	A	BLACK			70	69	68	67				63	62	61	60	59	58	57	56	55	54	53	52	51	50	49					44	43	42	41	40	39	38	37	36		34			73				32			29	28	27	26	25			21		19	18					SALEABLE	NOT APPLICABLE	34566-7823	0	B	ST GRY					68	67				63	62	61	60	59						52				48	47	46		44	43		41	40		38	37	36	35				73						30			27					20	19	18					SALEABLE	NOT APPLICABLE	34566-7833	0	B	ST GRY	72	71	70	69	68	67	66	65	64	63		61	60	59		57	56	55			52	51	50	49	48	47	46	45	44	43		41	40	39	38	37	36	35	34	33		73				32	31	30	29	28		26	25	24	23	22	21	20	19	18	17																																																																																																																																																																																																																																																																																																																																																																																																																																																																																																																																																																																																																																																																																																																																										
						52	51		49	48	47	46	45		43	42		40	39	38	37	36	35																																																																																																																																																																																																																																																																																																																																																																																																																																																																																																																																																																																																																																																																																																																																																																																																																																																																																																																																																																																																
						73								28	27			23	22	21				18	17																																																																																																																																																																																																																																																																																																																																																																																																																																																																																																																																																																																																																																																																																																																																																																																																																																																																																																																																																																																														
SALEABLE	NOT APPLICABLE	34566-7813	0	A	BLACK			70	69	68	67				63	62	61	60	59	58	57	56	55	54	53	52	51	50	49					44	43	42	41	40	39	38	37	36		34			73				32			29	28	27	26	25			21		19	18					SALEABLE	NOT APPLICABLE	34566-7823	0	B	ST GRY					68	67				63	62	61	60	59						52				48	47	46		44	43		41	40		38	37	36	35				73						30			27					20	19	18					SALEABLE	NOT APPLICABLE	34566-7833	0	B	ST GRY	72	71	70	69	68	67	66	65	64	63		61	60	59		57	56	55			52	51	50	49	48	47	46	45	44	43		41	40	39	38	37	36	35	34	33		73				32	31	30	29	28		26	25	24	23	22	21	20	19	18	17																																																																																																																																																																																																																																																																																																																																																																																																																																																																																																																																																																																																																																																																																																																																																																																																													
						52	51	50	49					44	43	42	41	40	39	38	37	36		34																																																																																																																																																																																																																																																																																																																																																																																																																																																																																																																																																																																																																																																																																																																																																																																																																																																																																																																																																																																															
						73				32			29	28	27	26	25			21		19	18																																																																																																																																																																																																																																																																																																																																																																																																																																																																																																																																																																																																																																																																																																																																																																																																																																																																																																																																																																																																
SALEABLE	NOT APPLICABLE	34566-7823	0	B	ST GRY					68	67				63	62	61	60	59						52				48	47	46		44	43		41	40		38	37	36	35				73						30			27					20	19	18					SALEABLE	NOT APPLICABLE	34566-7833	0	B	ST GRY	72	71	70	69	68	67	66	65	64	63		61	60	59		57	56	55			52	51	50	49	48	47	46	45	44	43		41	40	39	38	37	36	35	34	33		73				32	31	30	29	28		26	25	24	23	22	21	20	19	18	17																																																																																																																																																																																																																																																																																																																																																																																																																																																																																																																																																																																																																																																																																																																																																																																																																																																																																		
						52				48	47	46		44	43		41	40		38	37	36	35																																																																																																																																																																																																																																																																																																																																																																																																																																																																																																																																																																																																																																																																																																																																																																																																																																																																																																																																																																																																
						73						30			27					20	19	18																																																																																																																																																																																																																																																																																																																																																																																																																																																																																																																																																																																																																																																																																																																																																																																																																																																																																																																																																																																																	
SALEABLE	NOT APPLICABLE	34566-7833	0	B	ST GRY	72	71	70	69	68	67	66	65	64	63		61	60	59		57	56	55			52	51	50	49	48	47	46	45	44	43		41	40	39	38	37	36	35	34	33		73				32	31	30	29	28		26	25	24	23	22	21	20	19	18	17																																																																																																																																																																																																																																																																																																																																																																																																																																																																																																																																																																																																																																																																																																																																																																																																																																																																																																																																																					
						52	51	50	49	48	47	46	45	44	43		41	40	39	38	37	36	35	34	33																																																																																																																																																																																																																																																																																																																																																																																																																																																																																																																																																																																																																																																																																																																																																																																																																																																																																																																																																																																														
						73				32	31	30	29	28		26	25	24	23	22	21	20	19	18	17																																																																																																																																																																																																																																																																																																																																																																																																																																																																																																																																																																																																																																																																																																																																																																																																																																																																																																																																																																																														





**MX123 52/66/73/80-WAY RECEPTACLE ASSY SEALED PIN OUT SHEET**

STATUS	GM PART #	HRNS CONN ASSY			TPA	GROMMET CAP																				
		MATERIAL/PART	WIRE DRESS OPTION	KEY OPTION Fp		COLOR OPTION Fp	NUMBERS INDICATE CAVITIES OPEN FOR CIRCUITS																			
		NUMBER					Fp																			
SALEABLE	NOT APPLICABLE	34566-7843	9	C	BLUE	52	71	50	49	48	67	47	65	64	45	44	62	61	60	58	57	54	33			
						73				16	15	14	13	12	11	10	9	38	37	34	33					
						72	71	70	69	68	67	66	64	63	62	61	60	59	57	54	53	34	33			
SALEABLE	NOT APPLICABLE	34566-7853	9	C	BLUE	52	51	50	49	48	47	46	44	39	38	37	36	35	34	33						
						73				16	15	14	13	12	11	10	9	8	7	6	5	17				
						72	71	70	69	68	67	66	64	63	62	61	60	59	57	54	53	34	33			
SALEABLE	NOT APPLICABLE	34566-7863	9	C	BLUE	52	51	50	49	48	47	46	44	40	39	38	37	36	35	34	33					
						73				32	31	30	29	28	27	26	25	24	23	22	21	20	19	18	17	
						72	71	70	69	68	67	66	64	63	62	61	60	59	57	54	53	34	33			
SALEABLE	NOT APPLICABLE	34566-7873	9	A	BLACK	52	51	50	49	48	47	46	44	40	39	38	37	36	35	34	33					
						73				16	15	14	13	12	11	10	9	8	7	6	5	4	2			
						72	71	70	69	68	67	66	64	63	62	61	60	59	57	54	53	34	33			
SALEABLE	NOT APPLICABLE	34566-7883	9	A	BLACK	52	51	50	49	48	47	46	44	40	39	38	37	36	35	34	33					
						73				32	31	30	29	28	27	26	25	24	23	22	21	20	19	17		
						72	71	70	69	68	67	66	64	63	62	61	60	59	57	54	53	34	33			
SALEABLE	NOT APPLICABLE	34566-7893	9	A	BLACK	52	51	50	49	48	47	46	44	40	39	38	37	36	35	34	33					
						73				32	31	30	29	28	27	26	25	24	23	22	21	20	19	17		
						72	71	70	69	68	67	66	64	63	62	61	60	59	57	54	53	34	33			
SALEABLE	TBD	34822-0163	0	A	BLACK	52	51	50	49	48	47	46	44	40	39	38	37	36	35	34	33					
						65				15	14	13	12	11	10	9	8	7	6	5	4	2	1			
						72	71	70	69	68	67	66	64	63	62	61	60	59	57	54	53	34	33			
SALEABLE	NOT APPLICABLE	34566-7913	9	G	BLUE	52	51	50	49	48	47	46	44	40	39	38	37	36	35	34	33					
						73				32	31	30	29	28	27	26	25	24	23	22	21	20	19	17		
						72	71	70	69	68	67	66	64	63	62	61	60	59	57	54	53	34	33			
SALEABLE	NOT APPLICABLE	34566-7923	0	C	BLUE	52	51	50	49	48	47	46	44	40	39	38	37	36	35	34	33					
						73				16	15	14	13	12	11	10	9	8	7	6	5	4	2			
						72	71	70	69	68	67	66	64	63	62	61	60	59	57	54	53	34	33			
SALEABLE	NOT APPLICABLE	34566-7933	0	A	BLACK	52	51	50	49	48	47	46	44	40	39	38	37	36	35	34	33					
						73				32	31	30	29	28	27	26	25	24	23	22	21	20	19	17		
						72	71	70	69	68	67	66	64	63	62	61	60	59	57	54	53	34	33			
SALEABLE	NOT APPLICABLE	34566-7943	0	B	ST GRY	52	51	50	49	48	47	46	44	40	39	38	37	36	35	34	33					
						73				16	15	14	13	12	11	10	9	8	7	6	5	4	2			
						72	71	70	69	68	67	66	64	63	62	61	60	59	57	54	53	34	33			
SALEABLE	NOT APPLICABLE	34566-7953	0	B	ST GRY	52	51	50	49	48	47	46	44	40	39	38	37	36	35	34	33					
						73				16	15	14	13	12	11	10	9	8	7	6	5	4	2			
						72	71	70	69	68	67	66	64	63	62	61	60	59	57	54	53	34	33			
SALEABLE	NOT APPLICABLE	34566-7963	9	A	BLACK	52	51	50	49	48	47	46	44	40	39	38	37	36	35	34	33					
						73				32	31	30	29	28	27	26	25	24	23	22	21	20	19	17		
						72	71	70	69	68	67	66	64	63	62	61	60	59	57	54	53	34	33			
SALEABLE	NOT APPLICABLE	34566-7973	9	B	ST GRY	52	51	50	49	48	47	46	44	40	39	38	37	36	35	34	33					
						73				16	15	14	13	12	11	10	9	8	7	6	5	4	2			
						72	71	70	69	68	67	66	64	63	62	61	60	59	57	54	53	34	33			
SALEABLE	NOT APPLICABLE	34566-7983	9	B	ST GRY	52	51	50	49	48	47	46	44	40	39	38	37	36	35	34	33					
						73				16	15	14	13	12	11	10	9	8	7	6	5	4	2			
						72	71	70	69	68	67	66	64	63	62	61	60	59	57	54	53	34	33			



MX123 52/66/73/80-WAY RECEPTACLE ASSY SEALED PIN OUT SHEET

STATUS	GM PART #	HRNS CONN ASSY			TPA	GROMMET CAP																					
		MATERIAL/PART	WIRE DRESS OPTION	KEY OPTION Fp	COLOR OPTION Fp	NUMBERS INDICATE CAVITIES OPEN FOR CIRCUITS																					
		NUMBER				Fp																					
SALEABLE	NOT APPLICABLE	34566-8153	0	C	BLUE	72	71	70	69	68	67	66	65	64	63	62	61	60	59	58	57	56	55	34	33		
						52	51	50					28	27												35	18
						73				16		14	13													3	
SALEABLE	NOT APPLICABLE	34566-8163	9	B	ST GRAY					68	67			64	63			59	58			55	54				
											47	46	45	44	43			39	38					35			
						73				32	31	30	29	28	27			23	22					19		17	
SALEABLE	NOT APPLICABLE	34566-8173	0	B	ST GRAY	72		70		68	67				63	62	61	60	59								
						52						46			43		41	40									
						73									27				22	21	20	19	18				
SALEABLE	NOT APPLICABLE	34566-8183	9	H	ST GRAY																						
SALEABLE	NOT APPLICABLE	34566-8193	0	G	BLUE		79	78	77	76	75	74			71				67		65		63				
						60	59	58	57	56	55	54		52					47		45		43				
						40		38	37					33	32	31	30	29		27	26						
SALEABLE	NOT APPLICABLE	34566-8213	0	H	ST GRAY	20																					
SALEABLE	NOT APPLICABLE	34566-8223	9	A	BLACK																						
						72																					
						52	51																				
SALEABLE	NOT APPLICABLE	34566-8233	9	G	BLUE																						
SALEABLE	NOT APPLICABLE	34566-8243	9	G	BLUE																						
SALEABLE	NOT APPLICABLE	34566-8253	9	G	BLUE																						
SALEABLE	NOT APPLICABLE	34566-8263	9	G	BLUE																						
SALEABLE	NOT APPLICABLE	34566-8273	9	G	BLUE	80	79	78							71				67								
						60	59	58	57				54			51	50	49	48	47				44		41	
						40	39							33	32		30	29	28	27			25	24			
SALEABLE	NOT APPLICABLE	34566-8283	9	G	BLUE																						
SALEABLE	NOT APPLICABLE	34566-8293	9	A	BLACK																						
SALEABLE	NOT APPLICABLE	34566-8313	9	A	BLACK		71	70	69		67	66	65		63			60	59	58							
								50	49	48	47			44		42	41		39	38			36	35	34	33	
						73																					

MX123 52/66/73/80-WAY RECEPTACLE ASSY SEALED PIN OUT SHEET

STATUS	GM PART #	HRNS CONN ASSY			TPA	GROMMET CAP																						
		MATERIAL/PART	WIRE DRESS OPTION	KEY OPTION ▽ Fp	COLOR OPTION ▽ Fp	NUMBERS INDICATE CAVITIES OPEN FOR CIRCUITS ▽ Fp																						
		NUMBER																										
SALEABLE	NOT APPLICABLE	34566-8323	9	A	BLACK	71	70	69	68	67	66	65		63			60					53						
								50	49		47			44			42			39	38		36			33		
						73						31			28			26			24	23	22	21		19	18	17
SALEABLE	NOT APPLICABLE	34566-8333	9	A	BLACK	71	70	69	68	67	66	65		63			60					53						
								50	49	48	47			44			42	41		39	38		36			33		
						73						31			28			26			24	23	22	21		19	18	17
SALEABLE	NOT APPLICABLE	34566-8343	9	A	BLACK	71	70	69	68	67	66	65		63			60	59				53						
								50	49		47			44			42			39	38		36	35	34	33		
						73						31			28			26			24	23	22	21		19	18	17
SALEABLE	NOT APPLICABLE	34566-8353	9	A	BLACK	72								64		62	61				57	56	55	54	53			
						52	51					46	45		43		41	40				37						
						73						32		30	29		27		25					20				
SALEABLE	NOT APPLICABLE	34566-8363	9	A	BLACK	72								64		62	61				57	56	55	54	53			
						52	51					46	45		43		41	40				37						
						73						32		30	29		27		25					20				
SALEABLE	NOT APPLICABLE	34566-8373	9	A	BLACK	72								64		62	61				57	56	55	54	53			
						52	51					46	45		43		41	40				37						
						73						32		30	29		27		25					20				
SALEABLE	NOT APPLICABLE	34566-8383	9	A	BLACK	72								64		62	61				57	56	55	54	53			
						52	51					46	45		43		41	40				37						
						73						32		30	29		27		25					20				
SALEABLE	NOT APPLICABLE	34566-8393	0	A	BLACK	72			70					64		62	61				57	56	55	54	53			
						52	51			49	48					43							36	35	34	33		
						73						31	30	29	28	27			24	23	22	21	20	19	18	17		
SALEABLE	NOT APPLICABLE	34566-8413	0	A	BLACK	72			70					64		62	61				57	56	55	54	53			
						52	51			49	48					43							36	35	34	33		
						73						31	30	29	28	27			24	23	22	21	20	19	18	17		
SALEABLE	NOT APPLICABLE	34566-8423	0	C	BLUE				69					64		62	61	60			57			54				
						52	51	50	49	48		46	45	44		42	41					37				34	33	
						73						16	15	14	13	12	11	10	9	8	7							
SALEABLE	NOT APPLICABLE	34566-8433	0	H	ST GRAY		79	78	77															61				
						20																						
						73						16	15	14	13	12	11	10	9	8	7	6	5					
SALEABLE	NOT APPLICABLE	34566-8443	0	C	BLUE		71	70									61	60	59	58	57			54				
						52	51	50		48	47		45	44			41		39	38	37					34	33	
						73						32			28	27		25		23							18	17
SALEABLE	NOT APPLICABLE	34566-8453	0	A	BLACK	72	71	70	69	68		66	65	64	63			60				57	56		54			
						52	51	50	49	48		46	45	44	43	42			40	39	38	37	36			34		
						73						32	31	30	29	28					23	22	21	20				
SALEABLE	NOT APPLICABLE	34566-8463	0	B	ST GRAY	72			70							62	61	60	59				55					
						52				48	47	46		44	43			41	40				38	37	36	35		
						73						16	15	14						8		6		4				1
SALEABLE	NOT APPLICABLE	34566-8473	0	C	BLUE		71	70								62	61	60				58	57		54			
						52	51	50	49	48	47		45	44			42	41					38	37		35	34	33
						73						32			28	27	26	25									19	18

MX123 52/66/73/80-WAY RECEPTACLE ASSY SEALED PIN OUT SHEET

STATUS	GM PART #	HRNS CONN ASSY			TPA	GROMMET CAP																					
		MATERIAL/PART	WIRE DRESS OPTION	KEY OPTION Fp	COLOR OPTION Fp	NUMBERS INDICATE CAVITIES OPEN FOR CIRCUITS																					
		NUMBER				Fp																					
SALEABLE	NOT APPLICABLE	34566-8483	0	A	BLACK	72	71	70	69	68		66	65	64	63		61	60			57	56		54	53		
						52	51	50	49	48		46	45	44	43	42			40	39	38	37	36		34	33	
						73				32	31	30	29	28						23	22	21	20				2
SALEABLE	NOT APPLICABLE	34566-8493	0	B	ST GRAY	72		70		68	67					62	61	60	59				55				
						52				48	47	46		44	43			40									33
						73						30								22	21	20	19	18	17		
SALEABLE	NOT APPLICABLE	34566-8513	9	A	BLACK	72	71	70	69	68		66	65	64	63		61	60			57	56		54	53		
						52	51	50	49	48		46	45	44	43			40	39	38	37	36		34	33		
						73				32	31	30	29	28					24	23	22						
SALEABLE	NOT APPLICABLE	34566-8523	9	B	ST GRAY	72		70		68						62	61						55				
						52				48	47	46			43			40									
						73						30								22	21	20	19	18	17		
SALEABLE	NOT APPLICABLE	34566-8533	9	C	BLUE			70		67	66	65	64			61	60			57			54				
						52	51	50	49	48	47		45	44			41				37				34	33	
						73				32				28	27			25									18
SALEABLE	NOT APPLICABLE	34566-8543	9	C	BLUE		71		69		67	66	65	64			61	60			57			54			
						52	51	50	49	48	47	46	45	44							37					34	33
						73				32				28	27												
SALEABLE	NOT APPLICABLE	34566-8553	0	B	ST GRAY					67	66	65	64			61	60			57			54				
						52	51	50	49	48	47		45	44			41				37				34	33	
						73				32				28	27			25									18
SALEABLE	NOT APPLICABLE	34566-8563	0	A	BLACK					67						61	60			57			54				
						52	51			48	47	46			43	42		40	39	38	37	36	35				
						73								28						22	21					18	17
SALEABLE	NOT APPLICABLE	34566-8573	0	B	ST GRAY	72	71	70	69	68	67	66	65	64	63		61	60	59		57	56	55				
						52	51	50	49	48	47	46	45	44	43		41	40	39	38	37	36	35			33	
						73				32	31	30	29	28				26		24	23	22	21	20	19		
SALEABLE	NOT APPLICABLE	34566-8583	0	C	BLUE	72	71	70	69		67	66	65	64			60				56			54			
						52	51	50	49		47	46	45	44			40	39	38						34		
						73					31	30		28		26	25	24	23	22	21						17
SALEABLE	NOT APPLICABLE	34566-8593	0	B	ST GRAY	72				68						62	61	60	59				55				
						52				48	47	46			43		41	40			38	37	36	35			
						73						30								22	21	20	19	18			
SALEABLE	TBD	34822-0183	0	A	BLACK	64	63	62	61	60	59					54	53		51		49	66					
																		38	37		35	33					
						65					15	14	13							8	7			4	3	2	1
SALEABLE	TBD	34822-0193	0	A	BLACK	64	63									54	53		51		49	66					
																		38	37		35	33					
						65								28					24	23		21	20	19	18	17	
SALEABLE	TBD	34822-0203	0	A	BLACK					60	59					54	53		51		49	66					
																		38	37		35	33					
						65					31			28					24	23	22	21	20	19	18	17	
SALEABLE	TBD	34822-0213	0	A	BLACK	64	63	62	61	60	59					54	53		51		49	66					
																		38	37		35	33					
						65					31			28					24	23	22	21	20	19	18	17	

MX123 52/66/73/80-WAY RECEPTACLE ASSY SEALED PIN OUT SHEET

STATUS	GM PART #	HRNS CONN ASSY			TPA	GROMMET CAP																					
		MATERIAL/PART	WIRE DRESS OPTION	KEY OPTION		COLOR OPTION	NUMBERS INDICATE CAVITIES OPEN FOR CIRCUITS																				
		NUMBER		Fp	Fp		Fp																				
SALEABLE	NOT APPLICABLE	34566-8613	0	C	BLUE	71	70			67	66	65	64			61	60	59	58	57			54				
						52	51	50		48	47			45	44			41	40	39	38	37			34	33	
						73				32				28	27			25		23						18	17
SALEABLE	NOT APPLICABLE	34566-8623	9	C	BLUE					68			65		63	62	61		59	58	57	56	55		53		
										48			45		43	42	41					37	36	35	34	33	
						73				32	31													20	19	18	
SALEABLE	NOT APPLICABLE	34566-8633	0	B	ST GRY	72									62	61											
						52				48	47	46				43											
						73							30										22	21	20	19	18
SALEABLE	NOT APPLICABLE	34566-8643	0	C	BLUE		71	70			67	66		64			61	60			57			54			
						52	51	50	49	48			45	44			41					37			34	33	
						73				32				28	27			25								18	17
SALEABLE	NOT APPLICABLE	34566-8653	9	C	BLUE		71			69		67	66	65	64	63		61	60			57					
						52	51	50		48	47	46	45		43		41						37			34	33
						73								28	27			25									
SALEABLE	NOT APPLICABLE	34566-8663	0	B	ST GRY	72	71	70	69					64	63		61	60			58	57	56	55			
						52	51	50	49						43								38	37	36		33
						73				32			30	29	28			26	25	24	23	22	21	20			
SALEABLE	NOT APPLICABLE	34822-0223	0	A	BLACK	64	63	62	61	60	59					54	53		51			49	66				
															38	37			35		33						
						65							31			28			24	23	22	21	20	19	18	17	
SALEABLE	NOT APPLICABLE	34566-8673	0	F	NATURAL	72		70		68	67	66			63	62			59		57				53		
						52	51		49	48	47	46		44			41	40	39			37	36	35	34	33	
						73							32		30			27	26	25	24		22	21	20		
SALEABLE	NOT APPLICABLE	34566-8683	0	B	ST GRY			70		68	67	66			63	62			59		57				53		
						52	51		49	48	47	46		44			41	40	39			37	36	35	34	33	
						73				32			30				27	26	25	24		22	21	20			
SALEABLE	NOT APPLICABLE	34566-8693	0	A	BLACK			70		68	67	66			63	62			59		57				53		
						52	51		49	48	47	46		44			41	40	39			37	36	35	34	33	
						73							32		30			27	26	25	24		22	21	20		
SALEABLE	NOT APPLICABLE	34566-8713	9	B	ST GRY	72	71	70	69					64	63			61	60			58	57	56	55		
						52	51	50	49						43								38	37	36		33
						73				32			30	29	28			26	25	24	23	22	21	20			
SALEABLE	NOT APPLICABLE	34566-8723	0	C	BLUE		71	70				66		64			61	60			57				54		
						52	51	50	49	48			45	44			41						37			34	33
						73				32				28	27			25								18	17
SALEABLE	NOT APPLICABLE	34566-8733	0	A	BLACK			70		68	67	66	65	64	63			60			57	56			54		
						52	51	50	49	48		46	45	44	43	42			40	39	38	37	36			34	
						73				32	31	30	29	28								23	22	21	20		
SALEABLE	NOT APPLICABLE	34566-8743	0	C	BLUE		71	70	69		67	66		64											54		
						52	51	50	49		47	46		44						39	38						
						73							30	29	28	27	26	25	24	23	22	21					
SALEABLE	NOT APPLICABLE	34566-8753	0	B	ST GRY	72	71	70	69	68	67	66	65	64	63			61	60			58	57	56	55	54	53
						52	51	50	49	48	47	46	45	44	43			40					37	36	35	34	33
						73				32			30	29	28			26	25	24				21		19	

MX123 52/66/73/80-WAY RECEPTACLE ASSY SEALED PIN OUT SHEET

STATUS	GM PART #	HRNS CONN ASSY			TPA	GROMMET CAP																							
		MATERIAL/PART	WIRE DRESS OPTION	KEY OPTION ▽ Fp	COLOR OPTION ▽ Fp	NUMBERS INDICATE CAVITIES OPEN FOR CIRCUITS																							
		NUMBER				▽ Fp																							
SALEABLE	NOT APPLICABLE	34566-8763	0	A	BLACK	72	71	70				67	66						59	58	57	56	55	54	53				
						52	51	50					47	46							39		37	36	35		18	17	
						73					32	31	30	29	28	27	26					8	7				3	2	1
SALEABLE	12672857	34822-0243	9	A	BLACK	64	63	62	61	60	59						54	53		51		49	66						
							47										38	37		35		33				20	19	18	17
						65									15	14	13	12			25	24		22	21	4	3	2	1
SALEABLE	NOT APPLICABLE	34822-0253	0	A	BLACK		63	62	61	60	59					54	53		51		49	66							
																38	37		35		33				20	19	18	17	
						65						31			28				24	23	22	21	20	19	18	17			
SALEABLE	NOT APPLICABLE	34822-0263	9	C	BLUE	64	63	62		60	59			57	56	55	54	53	52	51	50	49	66						
						48	47	46	45				42		39		37	36	35	34	33				19	18	17		
						65					32	30	29	28	27	26	25	24	23	22	21				3	2	1		
SALEABLE	NOT APPLICABLE	34822-0273	9	A	BLACK	64	63									54	53		51		49	66							
							47									38	37		35		33				20	19	18	17	
						65									28							22			4	3	2	1	
SALEABLE	NOT APPLICABLE	34822-0283	0	A	BLACK				61	60	59	58		56	55				51		49	66							
												42																17	
						65					32									8								2	
SALEABLE	NOT APPLICABLE	34822-0293	0	A	BLACK	64	63									54	53		51		49	66							
							47								38	37		35		33				20	19	18	17		
						65						15	14	13	12				8	7				4	3	2	1		
SALEABLE	NOT APPLICABLE	34566-8773	9	B	ST GR Y	72			70							62	61	60	59					55					
						52								48	47	46			43			40							
						73						16	15	14							8		6		4		2		
SALEABLE	NOT APPLICABLE	34566-8783	9	A	BLACK	72	71	70	69	68		66	65	64	63		61	60			57	56		54	53				
						52	51	50	49	48		46	45	44	43			40	39	38	37	36		34	33				
						73					32	31	30	29	28						23	22	21				2		
SALEABLE	NOT APPLICABLE	34566-8793	9	C	BLUE		71	70			67	66	65				61	60			57		54						
						52	51	50	49	48	47		45	44			41			37					34	33			
						73					32				28	27		25								18	17		
SALEABLE	NOT APPLICABLE	34566-8813	9	B	ST GR Y	72	71	70	69	68	67		65	64	63		61	60	59		57	56	55	54	53				
						52	51	50	49	48	47	46	45	44	43	42		40	39			36	35	34	33				
						73					32	31	30	29	28	27	26	25	24	23	22	21			4	3	2		
SALEABLE	NOT APPLICABLE	34566-8823	9	C	BLUE	72	71	70	69		67	66		64				60					54						
						52	51	50	49		47	46		44				40	39										
						73						30	29	28	27	26	25	24	23	22	21						17		
SALEABLE	NOT APPLICABLE	34566-8833	9	C	BLUE	72			70		67	66			63	62			59		57			54	53				
						52	51		49	48	47	46		44			41	40	39		37	36	35	34	33				
						73					32		30			27	26	25	24		22	21	20			2	1		
SALEABLE	NOT APPLICABLE	34566-8843	0	C	BLUE	72	71	70	69		67	66		64									54						
						52	51	50	49		47	46		44			41		39	38									
						73						30	29	28	27	26	25	24	23	22	21						17		
SALEABLE	NOT APPLICABLE	34566-8853	0	B	ST GR Y	72				68	67				63	62	61	60	59				55						
						52				48	47	46		44	43		41	40		38	37	36	35						
						73						30			27					22	21	20	19	18		1			



MX123 52/66/73/80-WAY RECEPTACLE ASSY SEALED PIN OUT SHEET

STATUS	GM PART #	HRNS CONN ASSY			TPA	GROMMET CAP																																																																																																																																																																																																																																																																																																																																																																																																																																																																																																																																																																																																																																																																																																																																																																																																																																																																																																																																																																																																																																																																																																																																																																																																															
		MATERIAL/PART	WIRE DRESS OPTION	KEY OPTION △ Fp		COLOR OPTION △ Fp	NUMBERS INDICATE CAVITIES OPEN FOR CIRCUITS △ Fp																																																																																																																																																																																																																																																																																																																																																																																																																																																																																																																																																																																																																																																																																																																																																																																																																																																																																																																																																																																																																																																																																																																																																																																																														
		NUMBER																																																																																																																																																																																																																																																																																																																																																																																																																																																																																																																																																																																																																																																																																																																																																																																																																																																																																																																																																																																																																																																																																																																																																																																																																			
SALEABLE	NOT APPLICABLE	34566-8863	0	B	ST GRY	72	71	70	69						64	63		61			58	57	56	55					52	51	50	49							43							38	37	36					33	73					32			30	29	28		26	25	24	23			22	21	20							SALEABLE	NOT APPLICABLE	34566-8873	0	B	ST GRY	72	71	70	69						64	63		61			58	57	56	55					52	51	50	49							43							38	37	36					33	73					32	31	30	29	28		26	25	24	23			22	21	20								SALEABLE	NOT APPLICABLE	34566-8883	0	B	ST GRY	72	71	70	69	68	67	66	65	64	63		61	60	59	58	57	56	55							52	51	50	49	48	47	46	45	44	43		41	40	39	38	37	36	35	34	33						73					32	31	30	29	28	27	26	25	24	23	22	21	20	19	18	17							SALEABLE	NOT APPLICABLE	34566-8893	0	A	BLACK	72		70		67	66	65			63			60	59	58	57	56	55						52	51		49	48	47	46	45			43	42		40	39	38	37	36	35						73										28	27				23	22	21					18	17			SALEABLE	NOT APPLICABLE	34566-8913	0	A	BLACK	72	71	70	69	68		66	65	64	63			60			57	56							52	51	50	49	48		46	45	44	43	42	41	40	39	38	37	36								73					32	31	30	29	28						23	22	21							2	1	SALEABLE	NOT APPLICABLE	34566-8923	0	A	BLACK		71	70	69	68	67			64	63	62	61	60	59	57	56	55	54	53					52	51	50	49			46	45	44	43	42	41	40	39	38	37	36								73					32			29	28	27	26	25			21			18								SALEABLE	NOT APPLICABLE	34566-8933	0	C	BLUE	72	71		69	68		66	65		63			59	58		56																	43			39	38		36									73						31	30	29					24	23	22	21	20			3	2	1			SALEABLE	NOT APPLICABLE	34566-8943	0	B	ST GRY	72				68						62	61												52						46			43			40												73															8		6		4	3	2			SALEABLE	NOT APPLICABLE	34566-8953	9	C	BLUE	72	71	70	69		67	66		64			60												52	51	50	49		47	46		44			40	39	38										54	73							30	29	28	27	26	25	24	23	22	21								17		SALEABLE	NOT APPLICABLE	34566-8963	0	B	ST GRY	72										62	61	60	59									52				48	47	46			43		41	40				38	37	36	35					73								30								22	21	20	19	18	17			SALEABLE	NOT APPLICABLE	34566-8973	0	A	BLACK	72	71	70	69	68		66	65	64	63			60			57	56							52	51	50	49	48		46	45	44	43	42		40	39	38	37	36								73					32	31	30	29	28					23	22	21							2	1	SALEABLE	NOT APPLICABLE	34566-8983	0	C	BLUE		71	70		67	66		64			61	60			57								52	51	50	49	48	47		45	44		41			37						34	33				73					32				28	27		25								18	17				SALEABLE	NOT APPLICABLE	34822-0303	0	A	BLACK																							65																								66																									SALEABLE	NOT APPLICABLE	34822-0313	0	A	BLACK			63	62	61	60	59					54	53			49							65													38	37		35		33					66							31			28				24	23	22	21	20	19	18	17			SALEABLE	NOT APPLICABLE	34566-8993	0	B	ST GRY							66					62			58							73													41		38	37							66																							19	18	17
						52	51	50	49							43							38	37	36					33																																																																																																																																																																																																																																																																																																																																																																																																																																																																																																																																																																																																																																																																																																																																																																																																																																																																																																																																																																																																																																																																																																																																																																																							
						73					32			30	29	28		26	25	24	23			22	21	20																																																																																																																																																																																																																																																																																																																																																																																																																																																																																																																																																																																																																																																																																																																																																																																																																																																																																																																																																																																																																																																																																																																																																																																											
SALEABLE	NOT APPLICABLE	34566-8873	0	B	ST GRY	72	71	70	69						64	63		61			58	57	56	55					52	51	50	49							43							38	37	36					33	73					32	31	30	29	28		26	25	24	23			22	21	20								SALEABLE	NOT APPLICABLE	34566-8883	0	B	ST GRY	72	71	70	69	68	67	66	65	64	63		61	60	59	58	57	56	55							52	51	50	49	48	47	46	45	44	43		41	40	39	38	37	36	35	34	33						73					32	31	30	29	28	27	26	25	24	23	22	21	20	19	18	17							SALEABLE	NOT APPLICABLE	34566-8893	0	A	BLACK	72		70		67	66	65			63			60	59	58	57	56	55						52	51		49	48	47	46	45			43	42		40	39	38	37	36	35						73										28	27				23	22	21					18	17			SALEABLE	NOT APPLICABLE	34566-8913	0	A	BLACK	72	71	70	69	68		66	65	64	63			60			57	56							52	51	50	49	48		46	45	44	43	42	41	40	39	38	37	36								73					32	31	30	29	28						23	22	21							2	1	SALEABLE	NOT APPLICABLE	34566-8923	0	A	BLACK		71	70	69	68	67			64	63	62	61	60	59	57	56	55	54	53					52	51	50	49			46	45	44	43	42	41	40	39	38	37	36								73					32			29	28	27	26	25			21			18								SALEABLE	NOT APPLICABLE	34566-8933	0	C	BLUE	72	71		69	68		66	65		63			59	58		56																	43			39	38		36									73						31	30	29					24	23	22	21	20			3	2	1			SALEABLE	NOT APPLICABLE	34566-8943	0	B	ST GRY	72				68						62	61												52						46			43			40												73															8		6		4	3	2			SALEABLE	NOT APPLICABLE	34566-8953	9	C	BLUE	72	71	70	69		67	66		64			60												52	51	50	49		47	46		44			40	39	38										54	73							30	29	28	27	26	25	24	23	22	21								17		SALEABLE	NOT APPLICABLE	34566-8963	0	B	ST GRY	72										62	61	60	59									52				48	47	46			43		41	40				38	37	36	35					73								30								22	21	20	19	18	17			SALEABLE	NOT APPLICABLE	34566-8973	0	A	BLACK	72	71	70	69	68		66	65	64	63			60			57	56							52	51	50	49	48		46	45	44	43	42		40	39	38	37	36								73					32	31	30	29	28					23	22	21							2	1	SALEABLE	NOT APPLICABLE	34566-8983	0	C	BLUE		71	70		67	66		64			61	60			57								52	51	50	49	48	47		45	44		41			37						34	33				73					32				28	27		25								18	17				SALEABLE	NOT APPLICABLE	34822-0303	0	A	BLACK																							65																								66																									SALEABLE	NOT APPLICABLE	34822-0313	0	A	BLACK			63	62	61	60	59					54	53			49							65													38	37		35		33					66							31			28				24	23	22	21	20	19	18	17			SALEABLE	NOT APPLICABLE	34566-8993	0	B	ST GRY							66					62			58							73													41		38	37							66																							19	18	17																																																																																	
						52	51	50	49							43							38	37	36					33																																																																																																																																																																																																																																																																																																																																																																																																																																																																																																																																																																																																																																																																																																																																																																																																																																																																																																																																																																																																																																																																																																																																																																																							
						73					32	31	30	29	28		26	25	24	23			22	21	20																																																																																																																																																																																																																																																																																																																																																																																																																																																																																																																																																																																																																																																																																																																																																																																																																																																																																																																																																																																																																																																																																																																																																																																												
SALEABLE	NOT APPLICABLE	34566-8883	0	B	ST GRY	72	71	70	69	68	67	66	65	64	63		61	60	59	58	57	56	55							52	51	50	49	48	47	46	45	44	43		41	40	39	38	37	36	35	34	33						73					32	31	30	29	28	27	26	25	24	23	22	21	20	19	18	17							SALEABLE	NOT APPLICABLE	34566-8893	0	A	BLACK	72		70		67	66	65			63			60	59	58	57	56	55						52	51		49	48	47	46	45			43	42		40	39	38	37	36	35						73										28	27				23	22	21					18	17			SALEABLE	NOT APPLICABLE	34566-8913	0	A	BLACK	72	71	70	69	68		66	65	64	63			60			57	56							52	51	50	49	48		46	45	44	43	42	41	40	39	38	37	36								73					32	31	30	29	28						23	22	21							2	1	SALEABLE	NOT APPLICABLE	34566-8923	0	A	BLACK		71	70	69	68	67			64	63	62	61	60	59	57	56	55	54	53					52	51	50	49			46	45	44	43	42	41	40	39	38	37	36								73					32			29	28	27	26	25			21			18								SALEABLE	NOT APPLICABLE	34566-8933	0	C	BLUE	72	71		69	68		66	65		63			59	58		56																	43			39	38		36									73						31	30	29					24	23	22	21	20			3	2	1			SALEABLE	NOT APPLICABLE	34566-8943	0	B	ST GRY	72				68						62	61												52						46			43			40												73															8		6		4	3	2			SALEABLE	NOT APPLICABLE	34566-8953	9	C	BLUE	72	71	70	69		67	66		64			60												52	51	50	49		47	46		44			40	39	38										54	73							30	29	28	27	26	25	24	23	22	21								17		SALEABLE	NOT APPLICABLE	34566-8963	0	B	ST GRY	72										62	61	60	59									52				48	47	46			43		41	40				38	37	36	35					73								30								22	21	20	19	18	17			SALEABLE	NOT APPLICABLE	34566-8973	0	A	BLACK	72	71	70	69	68		66	65	64	63			60			57	56							52	51	50	49	48		46	45	44	43	42		40	39	38	37	36								73					32	31	30	29	28					23	22	21							2	1	SALEABLE	NOT APPLICABLE	34566-8983	0	C	BLUE		71	70		67	66		64			61	60			57								52	51	50	49	48	47		45	44		41			37						34	33				73					32				28	27		25								18	17				SALEABLE	NOT APPLICABLE	34822-0303	0	A	BLACK																							65																								66																									SALEABLE	NOT APPLICABLE	34822-0313	0	A	BLACK			63	62	61	60	59					54	53			49							65													38	37		35		33					66							31			28				24	23	22	21	20	19	18	17			SALEABLE	NOT APPLICABLE	34566-8993	0	B	ST GRY							66					62			58							73													41		38	37							66																							19	18	17																																																																																																																																																																		
						52	51	50	49	48	47	46	45	44	43		41	40	39	38	37	36	35	34	33																																																																																																																																																																																																																																																																																																																																																																																																																																																																																																																																																																																																																																																																																																																																																																																																																																																																																																																																																																																																																																																																																																																																																																																												
						73					32	31	30	29	28	27	26	25	24	23	22	21	20	19	18	17																																																																																																																																																																																																																																																																																																																																																																																																																																																																																																																																																																																																																																																																																																																																																																																																																																																																																																																																																																																																																																																																																																																																																																																											
SALEABLE	NOT APPLICABLE	34566-8893	0	A	BLACK	72		70		67	66	65			63			60	59	58	57	56	55						52	51		49	48	47	46	45			43	42		40	39	38	37	36	35						73										28	27				23	22	21					18	17			SALEABLE	NOT APPLICABLE	34566-8913	0	A	BLACK	72	71	70	69	68		66	65	64	63			60			57	56							52	51	50	49	48		46	45	44	43	42	41	40	39	38	37	36								73					32	31	30	29	28						23	22	21							2	1	SALEABLE	NOT APPLICABLE	34566-8923	0	A	BLACK		71	70	69	68	67			64	63	62	61	60	59	57	56	55	54	53					52	51	50	49			46	45	44	43	42	41	40	39	38	37	36								73					32			29	28	27	26	25			21			18								SALEABLE	NOT APPLICABLE	34566-8933	0	C	BLUE	72	71		69	68		66	65		63			59	58		56																	43			39	38		36									73						31	30	29					24	23	22	21	20			3	2	1			SALEABLE	NOT APPLICABLE	34566-8943	0	B	ST GRY	72				68						62	61												52						46			43			40												73															8		6		4	3	2			SALEABLE	NOT APPLICABLE	34566-8953	9	C	BLUE	72	71	70	69		67	66		64			60												52	51	50	49		47	46		44			40	39	38										54	73							30	29	28	27	26	25	24	23	22	21								17		SALEABLE	NOT APPLICABLE	34566-8963	0	B	ST GRY	72										62	61	60	59									52				48	47	46			43		41	40				38	37	36	35					73								30								22	21	20	19	18	17			SALEABLE	NOT APPLICABLE	34566-8973	0	A	BLACK	72	71	70	69	68		66	65	64	63			60			57	56							52	51	50	49	48		46	45	44	43	42		40	39	38	37	36								73					32	31	30	29	28					23	22	21							2	1	SALEABLE	NOT APPLICABLE	34566-8983	0	C	BLUE		71	70		67	66		64			61	60			57								52	51	50	49	48	47		45	44		41			37						34	33				73					32				28	27		25								18	17				SALEABLE	NOT APPLICABLE	34822-0303	0	A	BLACK																							65																								66																									SALEABLE	NOT APPLICABLE	34822-0313	0	A	BLACK			63	62	61	60	59					54	53			49							65													38	37		35		33					66							31			28				24	23	22	21	20	19	18	17			SALEABLE	NOT APPLICABLE	34566-8993	0	B	ST GRY							66					62			58							73													41		38	37							66																							19	18	17																																																																																																																																																																																																																																																				
						52	51		49	48	47	46	45			43	42		40	39	38	37	36	35																																																																																																																																																																																																																																																																																																																																																																																																																																																																																																																																																																																																																																																																																																																																																																																																																																																																																																																																																																																																																																																																																																																																																																																													
						73										28	27				23	22	21					18	17																																																																																																																																																																																																																																																																																																																																																																																																																																																																																																																																																																																																																																																																																																																																																																																																																																																																																																																																																																																																																																																																																																																																																																																								
SALEABLE	NOT APPLICABLE	34566-8913	0	A	BLACK	72	71	70	69	68		66	65	64	63			60			57	56							52	51	50	49	48		46	45	44	43	42	41	40	39	38	37	36								73					32	31	30	29	28						23	22	21							2	1	SALEABLE	NOT APPLICABLE	34566-8923	0	A	BLACK		71	70	69	68	67			64	63	62	61	60	59	57	56	55	54	53					52	51	50	49			46	45	44	43	42	41	40	39	38	37	36								73					32			29	28	27	26	25			21			18								SALEABLE	NOT APPLICABLE	34566-8933	0	C	BLUE	72	71		69	68		66	65		63			59	58		56																	43			39	38		36									73						31	30	29					24	23	22	21	20			3	2	1			SALEABLE	NOT APPLICABLE	34566-8943	0	B	ST GRY	72				68						62	61												52						46			43			40												73															8		6		4	3	2			SALEABLE	NOT APPLICABLE	34566-8953	9	C	BLUE	72	71	70	69		67	66		64			60												52	51	50	49		47	46		44			40	39	38										54	73							30	29	28	27	26	25	24	23	22	21								17		SALEABLE	NOT APPLICABLE	34566-8963	0	B	ST GRY	72										62	61	60	59									52				48	47	46			43		41	40				38	37	36	35					73								30								22	21	20	19	18	17			SALEABLE	NOT APPLICABLE	34566-8973	0	A	BLACK	72	71	70	69	68		66	65	64	63			60			57	56							52	51	50	49	48		46	45	44	43	42		40	39	38	37	36								73					32	31	30	29	28					23	22	21							2	1	SALEABLE	NOT APPLICABLE	34566-8983	0	C	BLUE		71	70		67	66		64			61	60			57								52	51	50	49	48	47		45	44		41			37						34	33				73					32				28	27		25								18	17				SALEABLE	NOT APPLICABLE	34822-0303	0	A	BLACK																							65																								66																									SALEABLE	NOT APPLICABLE	34822-0313	0	A	BLACK			63	62	61	60	59					54	53			49							65													38	37		35		33					66							31			28				24	23	22	21	20	19	18	17			SALEABLE	NOT APPLICABLE	34566-8993	0	B	ST GRY							66					62			58							73													41		38	37							66																							19	18	17																																																																																																																																																																																																																																																																																																																																			
						52	51	50	49	48		46	45	44	43	42	41	40	39	38	37	36																																																																																																																																																																																																																																																																																																																																																																																																																																																																																																																																																																																																																																																																																																																																																																																																																																																																																																																																																																																																																																																																																																																																																																																															
						73					32	31	30	29	28						23	22	21							2	1																																																																																																																																																																																																																																																																																																																																																																																																																																																																																																																																																																																																																																																																																																																																																																																																																																																																																																																																																																																																																																																																																																																																																																																						
SALEABLE	NOT APPLICABLE	34566-8923	0	A	BLACK		71	70	69	68	67			64	63	62	61	60	59	57	56	55	54	53					52	51	50	49			46	45	44	43	42	41	40	39	38	37	36								73					32			29	28	27	26	25			21			18								SALEABLE	NOT APPLICABLE	34566-8933	0	C	BLUE	72	71		69	68		66	65		63			59	58		56																	43			39	38		36									73						31	30	29					24	23	22	21	20			3	2	1			SALEABLE	NOT APPLICABLE	34566-8943	0	B	ST GRY	72				68						62	61												52						46			43			40												73															8		6		4	3	2			SALEABLE	NOT APPLICABLE	34566-8953	9	C	BLUE	72	71	70	69		67	66		64			60												52	51	50	49		47	46		44			40	39	38										54	73							30	29	28	27	26	25	24	23	22	21								17		SALEABLE	NOT APPLICABLE	34566-8963	0	B	ST GRY	72										62	61	60	59									52				48	47	46			43		41	40				38	37	36	35					73								30								22	21	20	19	18	17			SALEABLE	NOT APPLICABLE	34566-8973	0	A	BLACK	72	71	70	69	68		66	65	64	63			60			57	56							52	51	50	49	48		46	45	44	43	42		40	39	38	37	36								73					32	31	30	29	28					23	22	21							2	1	SALEABLE	NOT APPLICABLE	34566-8983	0	C	BLUE		71	70		67	66		64			61	60			57								52	51	50	49	48	47		45	44		41			37						34	33				73					32				28	27		25								18	17				SALEABLE	NOT APPLICABLE	34822-0303	0	A	BLACK																							65																								66																									SALEABLE	NOT APPLICABLE	34822-0313	0	A	BLACK			63	62	61	60	59					54	53			49							65													38	37		35		33					66							31			28				24	23	22	21	20	19	18	17			SALEABLE	NOT APPLICABLE	34566-8993	0	B	ST GRY							66					62			58							73													41		38	37							66																							19	18	17																																																																																																																																																																																																																																																																																																																																																																																																																		
						52	51	50	49			46	45	44	43	42	41	40	39	38	37	36																																																																																																																																																																																																																																																																																																																																																																																																																																																																																																																																																																																																																																																																																																																																																																																																																																																																																																																																																																																																																																																																																																																																																																																															
						73					32			29	28	27	26	25			21			18																																																																																																																																																																																																																																																																																																																																																																																																																																																																																																																																																																																																																																																																																																																																																																																																																																																																																																																																																																																																																																																																																																																																																																																													
SALEABLE	NOT APPLICABLE	34566-8933	0	C	BLUE	72	71		69	68		66	65		63			59	58		56																	43			39	38		36									73						31	30	29					24	23	22	21	20			3	2	1			SALEABLE	NOT APPLICABLE	34566-8943	0	B	ST GRY	72				68						62	61												52						46			43			40												73															8		6		4	3	2			SALEABLE	NOT APPLICABLE	34566-8953	9	C	BLUE	72	71	70	69		67	66		64			60												52	51	50	49		47	46		44			40	39	38										54	73							30	29	28	27	26	25	24	23	22	21								17		SALEABLE	NOT APPLICABLE	34566-8963	0	B	ST GRY	72										62	61	60	59									52				48	47	46			43		41	40				38	37	36	35					73								30								22	21	20	19	18	17			SALEABLE	NOT APPLICABLE	34566-8973	0	A	BLACK	72	71	70	69	68		66	65	64	63			60			57	56							52	51	50	49	48		46	45	44	43	42		40	39	38	37	36								73					32	31	30	29	28					23	22	21							2	1	SALEABLE	NOT APPLICABLE	34566-8983	0	C	BLUE		71	70		67	66		64			61	60			57								52	51	50	49	48	47		45	44		41			37						34	33				73					32				28	27		25								18	17				SALEABLE	NOT APPLICABLE	34822-0303	0	A	BLACK																							65																								66																									SALEABLE	NOT APPLICABLE	34822-0313	0	A	BLACK			63	62	61	60	59					54	53			49							65													38	37		35		33					66							31			28				24	23	22	21	20	19	18	17			SALEABLE	NOT APPLICABLE	34566-8993	0	B	ST GRY							66					62			58							73													41		38	37							66																							19	18	17																																																																																																																																																																																																																																																																																																																																																																																																																																																																																																	
															43			39	38		36																																																																																																																																																																																																																																																																																																																																																																																																																																																																																																																																																																																																																																																																																																																																																																																																																																																																																																																																																																																																																																																																																																																																																																																																
						73						31	30	29					24	23	22	21	20			3	2	1																																																																																																																																																																																																																																																																																																																																																																																																																																																																																																																																																																																																																																																																																																																																																																																																																																																																																																																																																																																																																																																																																																																																																																																									
SALEABLE	NOT APPLICABLE	34566-8943	0	B	ST GRY	72				68						62	61												52						46			43			40												73															8		6		4	3	2			SALEABLE	NOT APPLICABLE	34566-8953	9	C	BLUE	72	71	70	69		67	66		64			60												52	51	50	49		47	46		44			40	39	38										54	73							30	29	28	27	26	25	24	23	22	21								17		SALEABLE	NOT APPLICABLE	34566-8963	0	B	ST GRY	72										62	61	60	59									52				48	47	46			43		41	40				38	37	36	35					73								30								22	21	20	19	18	17			SALEABLE	NOT APPLICABLE	34566-8973	0	A	BLACK	72	71	70	69	68		66	65	64	63			60			57	56							52	51	50	49	48		46	45	44	43	42		40	39	38	37	36								73					32	31	30	29	28					23	22	21							2	1	SALEABLE	NOT APPLICABLE	34566-8983	0	C	BLUE		71	70		67	66		64			61	60			57								52	51	50	49	48	47		45	44		41			37						34	33				73					32				28	27		25								18	17				SALEABLE	NOT APPLICABLE	34822-0303	0	A	BLACK																							65																								66																									SALEABLE	NOT APPLICABLE	34822-0313	0	A	BLACK			63	62	61	60	59					54	53			49							65													38	37		35		33					66							31			28				24	23	22	21	20	19	18	17			SALEABLE	NOT APPLICABLE	34566-8993	0	B	ST GRY							66					62			58							73													41		38	37							66																							19	18	17																																																																																																																																																																																																																																																																																																																																																																																																																																																																																																																																																																															
						52						46			43			40																																																																																																																																																																																																																																																																																																																																																																																																																																																																																																																																																																																																																																																																																																																																																																																																																																																																																																																																																																																																																																																																																																																																																																																																			
						73															8		6		4	3	2																																																																																																																																																																																																																																																																																																																																																																																																																																																																																																																																																																																																																																																																																																																																																																																																																																																																																																																																																																																																																																																																																																																																																																																										
SALEABLE	NOT APPLICABLE	34566-8953	9	C	BLUE	72	71	70	69		67	66		64			60												52	51	50	49		47	46		44			40	39	38										54	73							30	29	28	27	26	25	24	23	22	21								17		SALEABLE	NOT APPLICABLE	34566-8963	0	B	ST GRY	72										62	61	60	59									52				48	47	46			43		41	40				38	37	36	35					73								30								22	21	20	19	18	17			SALEABLE	NOT APPLICABLE	34566-8973	0	A	BLACK	72	71	70	69	68		66	65	64	63			60			57	56							52	51	50	49	48		46	45	44	43	42		40	39	38	37	36								73					32	31	30	29	28					23	22	21							2	1	SALEABLE	NOT APPLICABLE	34566-8983	0	C	BLUE		71	70		67	66		64			61	60			57								52	51	50	49	48	47		45	44		41			37						34	33				73					32				28	27		25								18	17				SALEABLE	NOT APPLICABLE	34822-0303	0	A	BLACK																							65																								66																									SALEABLE	NOT APPLICABLE	34822-0313	0	A	BLACK			63	62	61	60	59					54	53			49							65													38	37		35		33					66							31			28				24	23	22	21	20	19	18	17			SALEABLE	NOT APPLICABLE	34566-8993	0	B	ST GRY							66					62			58							73													41		38	37							66																							19	18	17																																																																																																																																																																																																																																																																																																																																																																																																																																																																																																																																																																																																																																																												
						52	51	50	49		47	46		44			40	39	38										54																																																																																																																																																																																																																																																																																																																																																																																																																																																																																																																																																																																																																																																																																																																																																																																																																																																																																																																																																																																																																																																																																																																																																																																								
						73							30	29	28	27	26	25	24	23	22	21								17																																																																																																																																																																																																																																																																																																																																																																																																																																																																																																																																																																																																																																																																																																																																																																																																																																																																																																																																																																																																																																																																																																																																																																																							
SALEABLE	NOT APPLICABLE	34566-8963	0	B	ST GRY	72										62	61	60	59									52				48	47	46			43		41	40				38	37	36	35					73								30								22	21	20	19	18	17			SALEABLE	NOT APPLICABLE	34566-8973	0	A	BLACK	72	71	70	69	68		66	65	64	63			60			57	56							52	51	50	49	48		46	45	44	43	42		40	39	38	37	36								73					32	31	30	29	28					23	22	21							2	1	SALEABLE	NOT APPLICABLE	34566-8983	0	C	BLUE		71	70		67	66		64			61	60			57								52	51	50	49	48	47		45	44		41			37						34	33				73					32				28	27		25								18	17				SALEABLE	NOT APPLICABLE	34822-0303	0	A	BLACK																							65																								66																									SALEABLE	NOT APPLICABLE	34822-0313	0	A	BLACK			63	62	61	60	59					54	53			49							65													38	37		35		33					66							31			28				24	23	22	21	20	19	18	17			SALEABLE	NOT APPLICABLE	34566-8993	0	B	ST GRY							66					62			58							73													41		38	37							66																							19	18	17																																																																																																																																																																																																																																																																																																																																																																																																																																																																																																																																																																																																																																																																																																																																											
						52				48	47	46			43		41	40				38	37	36	35																																																																																																																																																																																																																																																																																																																																																																																																																																																																																																																																																																																																																																																																																																																																																																																																																																																																																																																																																																																																																																																																																																																																																																																												
						73								30								22	21	20	19	18	17																																																																																																																																																																																																																																																																																																																																																																																																																																																																																																																																																																																																																																																																																																																																																																																																																																																																																																																																																																																																																																																																																																																																																																																										
SALEABLE	NOT APPLICABLE	34566-8973	0	A	BLACK	72	71	70	69	68		66	65	64	63			60			57	56							52	51	50	49	48		46	45	44	43	42		40	39	38	37	36								73					32	31	30	29	28					23	22	21							2	1	SALEABLE	NOT APPLICABLE	34566-8983	0	C	BLUE		71	70		67	66		64			61	60			57								52	51	50	49	48	47		45	44		41			37						34	33				73					32				28	27		25								18	17				SALEABLE	NOT APPLICABLE	34822-0303	0	A	BLACK																							65																								66																									SALEABLE	NOT APPLICABLE	34822-0313	0	A	BLACK			63	62	61	60	59					54	53			49							65													38	37		35		33					66							31			28				24	23	22	21	20	19	18	17			SALEABLE	NOT APPLICABLE	34566-8993	0	B	ST GRY							66					62			58							73													41		38	37							66																							19	18	17																																																																																																																																																																																																																																																																																																																																																																																																																																																																																																																																																																																																																																																																																																																																																																																																																							
						52	51	50	49	48		46	45	44	43	42		40	39	38	37	36																																																																																																																																																																																																																																																																																																																																																																																																																																																																																																																																																																																																																																																																																																																																																																																																																																																																																																																																																																																																																																																																																																																																																																																															
						73					32	31	30	29	28					23	22	21							2	1																																																																																																																																																																																																																																																																																																																																																																																																																																																																																																																																																																																																																																																																																																																																																																																																																																																																																																																																																																																																																																																																																																																																																																																							
SALEABLE	NOT APPLICABLE	34566-8983	0	C	BLUE		71	70		67	66		64			61	60			57								52	51	50	49	48	47		45	44		41			37						34	33				73					32				28	27		25								18	17				SALEABLE	NOT APPLICABLE	34822-0303	0	A	BLACK																							65																								66																									SALEABLE	NOT APPLICABLE	34822-0313	0	A	BLACK			63	62	61	60	59					54	53			49							65													38	37		35		33					66							31			28				24	23	22	21	20	19	18	17			SALEABLE	NOT APPLICABLE	34566-8993	0	B	ST GRY							66					62			58							73													41		38	37							66																							19	18	17																																																																																																																																																																																																																																																																																																																																																																																																																																																																																																																																																																																																																																																																																																																																																																																																																																																																																																					
						52	51	50	49	48	47		45	44		41			37						34	33																																																																																																																																																																																																																																																																																																																																																																																																																																																																																																																																																																																																																																																																																																																																																																																																																																																																																																																																																																																																																																																																																																																																																																																											
						73					32				28	27		25								18	17																																																																																																																																																																																																																																																																																																																																																																																																																																																																																																																																																																																																																																																																																																																																																																																																																																																																																																																																																																																																																																																																																																																																																																																										
SALEABLE	NOT APPLICABLE	34822-0303	0	A	BLACK																							65																								66																									SALEABLE	NOT APPLICABLE	34822-0313	0	A	BLACK			63	62	61	60	59					54	53			49							65													38	37		35		33					66							31			28				24	23	22	21	20	19	18	17			SALEABLE	NOT APPLICABLE	34566-8993	0	B	ST GRY							66					62			58							73													41		38	37							66																							19	18	17																																																																																																																																																																																																																																																																																																																																																																																																																																																																																																																																																																																																																																																																																																																																																																																																																																																																																																																																																																																		
						65																																																																																																																																																																																																																																																																																																																																																																																																																																																																																																																																																																																																																																																																																																																																																																																																																																																																																																																																																																																																																																																																																																																																																																																																															
						66																																																																																																																																																																																																																																																																																																																																																																																																																																																																																																																																																																																																																																																																																																																																																																																																																																																																																																																																																																																																																																																																																																																																																																																																															
SALEABLE	NOT APPLICABLE	34822-0313	0	A	BLACK			63	62	61	60	59					54	53			49							65													38	37		35		33					66							31			28				24	23	22	21	20	19	18	17			SALEABLE	NOT APPLICABLE	34566-8993	0	B	ST GRY							66					62			58							73													41		38	37							66																							19	18	17																																																																																																																																																																																																																																																																																																																																																																																																																																																																																																																																																																																																																																																																																																																																																																																																																																																																																																																																																																																																																																																															
						65													38	37		35		33																																																																																																																																																																																																																																																																																																																																																																																																																																																																																																																																																																																																																																																																																																																																																																																																																																																																																																																																																																																																																																																																																																																																																																																													
						66							31			28				24	23	22	21	20	19	18	17																																																																																																																																																																																																																																																																																																																																																																																																																																																																																																																																																																																																																																																																																																																																																																																																																																																																																																																																																																																																																																																																																																																																																																																										
SALEABLE	NOT APPLICABLE	34566-8993	0	B	ST GRY							66					62			58							73													41		38	37							66																							19	18	17																																																																																																																																																																																																																																																																																																																																																																																																																																																																																																																																																																																																																																																																																																																																																																																																																																																																																																																																																																																																																																																																																																																																										
						73													41		38	37																																																																																																																																																																																																																																																																																																																																																																																																																																																																																																																																																																																																																																																																																																																																																																																																																																																																																																																																																																																																																																																																																																																																																																																															
						66																							19	18	17																																																																																																																																																																																																																																																																																																																																																																																																																																																																																																																																																																																																																																																																																																																																																																																																																																																																																																																																																																																																																																																																																																																																																																																						




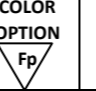

MX123 52/66/73/80-WAY RECEPTACLE ASSY SEALED PIN OUT SHEET

STATUS	GM PART #	HRNS CONN ASSY			TPA	GROMMET CAP																										
		MATERIAL/PART	WIRE DRESS OPTION	KEY OPTION Fp		COLOR OPTION Fp	NUMBERS INDICATE CAVITIES OPEN FOR CIRCUITS																									
		NUMBER					Fp																									
SALEABLE	NOT APPLICABLE	34566-9013	0	A	BLACK				69	68			65	64	63	62	61	60					38						34			
						73													25	24	23	22					20	19				
																					9			6	5	4						
SALEABLE	NOT APPLICABLE	34566-9023	0	B	ST GRAY										62			59														
						73												42	41		39	38					20		18	17		
SALEABLE	NOT APPLICABLE	34822-0323	9	A	BLACK			62	61	60	59	58	57	56	55			52				50							66			
						48	47	46	45	44	43	42	41	40	39																	
						65																										
SALEABLE	NOT APPLICABLE	34566-9033	0	C	BLUE			72																								
						52	51	50	49																							
						73																										
SALEABLE	NOT APPLICABLE	34566-9043	0	C	BLUE		72	71	70	69																			54			
						52	51	50	49																							
						73																										
SALEABLE	NOT APPLICABLE	34566-9053	0	C	BLUE		72	71	70	69																			54	53		
						52	51	50	49	48																						
						73																										
SALEABLE	NOT APPLICABLE	34566-9063	0	B	ST GRAY		72																									
						52																										
						73																										
SALEABLE	NOT APPLICABLE	34566-9073	0	B	ST GRAY		72	71	70	69																						
						52	51	50	49	48																						
						73																										
SALEABLE	NOT APPLICABLE	34566-9083	0	A	BLACK		72																									
						52	51																									
						73																										
SALEABLE	NOT APPLICABLE	34566-9093	0	A	BLACK		72																									
						52	51																									
						73																										
SALEABLE	NOT APPLICABLE	34566-9113	0	A	BLACK		72	71	70	69																						
						52	51	50	49	48																						
						73																										
SALEABLE	NOT APPLICABLE	34566-9123	0	G	BLUE				78	77	76	75	74																			
						60			58	57	56	55	54																			
						40	39	38	37																							
SALEABLE	NOT APPLICABLE	34822-0333	0	A	BLACK																											
						48		46	45	44	43	42	41	40	39																	
						65																										
SALEABLE	NOT APPLICABLE	34822-0343	0	A	BLACK					61			58																			
						65																										
SALEABLE	NOT APPLICABLE	34822-0353	0	A	BLACK		64																									
						48	47	46	45	44	43	42	41	40	39																	
						65																										

MX123 52/66/73/80-WAY RECEPTACLE ASSY SEALED PIN OUT SHEET

STATUS	GM PART #	HRNS CONN ASSY			TPA	GROMMET CAP																				
		MATERIAL/PART	WIRE DRESS OPTION	KEY OPTION Fp	COLOR OPTION Fp	NUMBERS INDICATE CAVITIES OPEN FOR CIRCUITS																				
		NUMBER				Fp																				
SALEABLE	NOT APPLICABLE	34566-9143	9	F	NATURAL	72	71	70			67	66	65	64	63	62	61	60	59			56	55	54	53	
						52	51	50	49	48	47	46	45	44									36	35	34	
						73				32	31		29	28	27	26	25	24	23	22	21	20				
SALEABLE	NOT APPLICABLE	34566-9153	9	B	ST GRAY						66								58							
																41			38	37						
						73																20	19	18	17	
SALEABLE	NOT APPLICABLE	34566-9163	9	B	ST GRAY					68	67	66	65			62		60	59				54	53		
										48	47	46	45	44		42	41	40	39				35	34		
						73					31				27									19	18	17
SALEABLE	NOT APPLICABLE	34566-9173	0	B	ST GRAY								65			62			58							
																41			38	37						
						73																5			19	18
SALEABLE	NOT APPLICABLE	34822-0363	9	C	BLUE				61				58													
										44	43		41	40		38							20			
						65					31												5	4		
SALEABLE	NOT APPLICABLE	34822-0373	9	A	BLACK	64	63	62	61	60					55			52	51		49					
						48	47	46	45							38										
						65				32		30	29		27							22	21	20	19	18
SALEABLE	NOT APPLICABLE	34822-0383	9	A	BLACK	64	63	62	61	60			57				52	51		49						
						48	47	46	45				40													
						65				32		30	29		27							22	21	20	19	18
SALEABLE	NOT APPLICABLE	34822-0393	0	A	BLACK	64	63	62	61	60			57				52	51		49						
						48	47	46	45						38											
						65				32		30	29		27							22	21	20	19	18
SALEABLE	NOT APPLICABLE	34822-0403	9	A	BLACK	64	63								54	53		51		49						
															38	37		35		33						
						65					31			28							22		20	19	18	17
SALEABLE	NOT APPLICABLE	34822-0413	0	A	BLACK	64	63								54	53		51		49						
															38	37		35		33						
						65								28							22		20	19	18	17
SALEABLE	NOT APPLICABLE	34822-0423	9	A	BLACK										59	58	57	56		54	53		50			
										44	43	42	41	40	39		37	36	35	34	33					
						65					31			28		26	25	24	23							
SALEABLE	NOT APPLICABLE	34566-9183	9	B	ST GRAY	72	71	70	69	68	67		65	64	63	62	61	60	59		57	56	55	54	53	
						52	51	50	49	48	47	46	45	44	43	42		40	39			36	35	34	33	
						73				32	31	30	29	28	27	26	25	24	23	22	21				19	
SALEABLE	NOT APPLICABLE	34566-9193	9	F	NATURAL				69	68										58	57					
															43	42										
						73							30											19	18	17
SALEABLE	NOT APPLICABLE	34822-0433	0	A	BLACK	64	63	62		60	59		57	56	55	54	53	52	51	50	49					
						48	47	46	45				42			39		37	36	35	34	33				
						65				32		30	29	28	27	26	25	24	23	22	21	20	19	18	17	
SALEABLE	NOT APPLICABLE	34822-0443	0	A	BLACK	64	63	62		60	59		57	56	55	54	53	52	51	50	49					
						48	47	46	45				42			39		37	36	35	34	33				
						65				32	31	30	29	28	27	26	25	24	23	22	21	20	19	18	17	

MX123 52/66/73/80-WAY RECEPTACLE ASSY SEALED PIN OUT SHEET

STATUS	GM PART #	HRNS CONN ASSY			TPA	GROMMET CAP																									
		MATERIAL/PART	WIRE DRESS OPTION	KEY OPTION		COLOR OPTION	NUMBERS INDICATE CAVITIES OPEN FOR CIRCUITS																								
		NUMBER																													
SALEABLE	NOT APPLICABLE	34822-0453	0	A	BLACK						44	59	58	57	56		54	53			50					66					
															31			28			26	25	24	23							
						65						16	15	14	13							9	8	7	6						
SALEABLE	NOT APPLICABLE	34566-9213	0	B	ST GRY						68	67	66	65	64						59	58	57		55	54	53				
						51	50	49							48		46	45		43	42	41	40	39	38	37		35		33	
						73						32	31	30						26		24	23	22		20					
SALEABLE	NOT APPLICABLE	34566-9223	9	B	ST GRY	72																									
						52					48	47	46										41	40		38	37	36	35		
						73									30										22	21	20	19	18		
SALEABLE	NOT APPLICABLE	34566-9233	9	C	BLUE																										
						52	71	50			48	47		45	44					41			39		37				34	33	
						73						32				28	27			25			23								18
SALEABLE	NOT APPLICABLE	34566-9243	9	B	ST GRY	72	71	70	69							64	63					61	60	59		57		54			
						52	51	50	49										43												33
						73						32		30	29	28			26	25	24	23	22	21	20						
SALEABLE	NOT APPLICABLE	34566-9253	9	B	ST GRY	72	71	70	69							64	63					61	60	59		57	56	55	54	53	
						52	51	50	49										43	42											
						73						32	31	30	29	28	27	26	25	24	23	22	21								
SALEABLE	NOT APPLICABLE	34566-9263	9	B	ST GRY	72																									
						52												43				41	40								
						73						16	15	14									8			6	5				
SALEABLE	NOT APPLICABLE	34822-0463	0	A	BLACK	64	63	62																							
						48	47	46	45										39												
						65						32		30	29	28	27	26	25	24	23	22	21	20	19	18	17				
SALEABLE	NOT APPLICABLE	34822-0473	9	C	BLUE	64	63	62																							
						48	47	46	45										39												
						65						32														21					
SALEABLE	NOT APPLICABLE	34822-0483	9	A	BLACK	64	63																								
						65										15	14	13													
SALEABLE	NOT APPLICABLE	34566-9273	9	B	ST GRY	72	71	70	69																						
						73						32	31	30	29	28	27	26	25	24	23	22	21								
SALEABLE	NOT APPLICABLE	34822-0493	0	C	BLUE	64	63	62																							
						48	47	46	45																						
						65						32		30	29	28	27	26	25	24	23	22	21	20	19	18	17				
SALEABLE	NOT APPLICABLE	34566-9283	9	G	BLUE	80	79	78																							
						60	59	58	57																						
						18																									
SALEABLE	NOT APPLICABLE	34566-9293	9	G	BLUE	80	79	78																							
						60	59	58	57																						
						18																									
SALEABLE	NOT APPLICABLE	34566-9313	9	A	BLACK	72																									
						52	51																								
						73						32		30	29																

**MX123 52/66/73/80-WAY RECEPTACLE ASSY SEALED PIN OUT SHEET**

STATUS	GM PART #	HRNS CONN ASSY			TPA	GROMMET CAP																											
		MATERIAL/PART	WIRE DRESS OPTION	KEY OPTION Fp		COLOR OPTION Fp	NUMBERS INDICATE CAVITIES OPEN FOR CIRCUITS Fp																										
		NUMBER																															
SALEABLE	NOT APPLICABLE	34566-9323	9	A	BLACK	72								64		62	61		59	58	57	56	55	54	53								
						52	51					48		46	45		43		41	40				37									
						73						32		30	29		27		25							20							
SALEABLE	NOT APPLICABLE	34566-9333	9	A	BLACK	72								64		62	61		59	58	57	56	55	54	53								
						52	51					48		46	45		43		41	40				37									
						73						32		30	29		27		25							20							
SALEABLE	NOT APPLICABLE	34566-9343	9	C	BLUE	72		70	69	68						62	61			58			56	55		53							
									49					46			43	42			40			38			36	35					
						73								31	30	29				26			24			22	21		20	19		17	
SALEABLE	NOT APPLICABLE	34822-0503	0	A	BLACK	64			62	61	60	59	58						54	53			51										
						48	47														38	37	36			34							
						65										15		13											4	3	2	1	
SALEABLE	NOT APPLICABLE	34822-0513	9	A	BLACK			63	62	61								54	53						49								
																													33				
						65								31				28						24			22	21		20	19	18	17
SALEABLE	NOT APPLICABLE	34566-9353	9	A	BLACK	72										62	61			58	57	56	55	54	53								
						52	51					48		46	45		43		41	40				37									
						73						32		30	29		27		25										20				
SALEABLE	NOT APPLICABLE	34566-9363	9	A	BLACK	72										64		62	61				57	56	55	54	53						
						52	51							46	45		43			40				37			35	34					
						73						32		30	29		27		25										20				
SALEABLE	NOT APPLICABLE	34566-9373	9	G	BLUE	80																											
								59		57																							
									39													30											
SALEABLE	NOT APPLICABLE	34566-9383	9	A	BLACK	72	71	70	69	68					64	63	62	61		59	58	57	56	55	54	53							
						52	51	50		48	47	46	45	44	43		41	40	39	38	37												
						73						32		30	29		27	26	25	24								20	19	18	17		
SALEABLE	NOT APPLICABLE	34566-9393	0	B	ST GRY	72	71	70	69	68	67							61	60	59			57	56	55	54	53						
						52	51	50	49	48	47	46	45	44	43	42		40	39														
						73						32	31	30	29	28	27	26	25	24	23	22	21										
SALEABLE	NOT APPLICABLE	34566-9413	9	H	ST GRY																												
SALEABLE	NOT APPLICABLE	34566-9423	0	A	BLACK	72	71	70					67	66										58	57	56	55	54	53				
						52	51	50						47	46											39		37	36	35		33	
						73						32	31	30	29	28	27	26														18	17
SALEABLE	NOT APPLICABLE	34566-9433	0	B	ST GRY	72	71	70	69	68	67	66	65	64	63			61			58	57	56	55	54	53							
						52	51	50	49	48	47	46	45	44					40	39													
						73								30	29	28	27	26	25	24													
SALEABLE	NOT APPLICABLE	34566-9443	9	B	ST GRY																												
								50	49	48	47	46																					
						73						32	31	30	29	28	27	26	25	24	23	22	21										
SALEABLE	NOT APPLICABLE	34566-9453	0	A	BLACK	72	71	70	69					64					61	60	59			57	56	55	54	53					
						52	51							45	44					41	40	39	38	37	36	35	34						
						73								31	30	29		27	26	25										19	18		

MX123 52/66/73/80-WAY RECEPTACLE ASSY SEALED PIN OUT SHEET

STATUS	GM PART #	HRNS CONN ASSY			TPA	GROMMET CAP																									
		MATERIAL/PART	WIRE DRESS OPTION	KEY OPTION Fp		COLOR OPTION Fp	NUMBERS INDICATE CAVITIES OPEN FOR CIRCUITS																								
		NUMBER			Fp																										
SALEABLE	NOT APPLICABLE	34566-9463	0	G	BLUE	80	79	78				75								66	65	64									
							59														46			43	42	41					
								39	38	37		35								30			26	25	24		22	21			
						20			18	17	16					12					8	7	6	5		3	2	1			
SALEABLE	NOT APPLICABLE	34566-9473	0	G	BLUE	80	79	78				75								66	65	64			62						
							59										53				46			43	42	41					
								39	38	37		35								30			26	25	24		22	21			
						20			18	17	16					12					8	7	6	5		3	2	1			
SALEABLE	NOT APPLICABLE	34566-9483	0	G	BLUE	80	79	78				75							66	65	64										
							59														46			43	42	41					
								39	38	37		35								30			26	25	24		22	21			
						20			18	17	16					12					8	7	6	5		3	2	1			
SALEABLE	NOT APPLICABLE	34566-9493	0	G	BLUE	80	79	78				75							66	65											
							59														46			43	42	41					
								39	38	37		35								30			26	25	24		22	21			
						20			18	17	16					12					8	7	6	5		3	2	1			
SALEABLE	NOT APPLICABLE	34566-9513	0	G	BLUE	80	79	78	77	76	75	74	73	72	71	70	69	68	67	66	65	64	63	62	61						
						60	59	58	57	56	55	54	53	52	51	50	49	48		46				43	42	41					
								39	38	37		35									30			26	25	24		22	21		
						20			18	17	16					12						8	7	6	5		3	2	1		
SALEABLE	NOT APPLICABLE	34566-9523	0	G	BLUE	80	79	78				75							66	65	64			62							
							59			57			53							46				43	42	41					
								39	38	37		35		33						30			26	25	24		22	21			
						20			18	17	16										8	7	6	5		3	2	1			
SALEABLE	NOT APPLICABLE	34822-0523	0	C	BLUE	64	63	62		60	59		57	56	55	54	53	52	51	50	49	66									
						48	47	46	45			42			39		37	36	35	34	33										
																32		30	29	28	27	26	25	24	23	22		19	18	17	
												65		16	15	14	13	12	11	10	9	8	7	6					3	2	1
SALEABLE	NOT APPLICABLE	34566-9543	0	A	BLACK																										
									49	48	47	46	45	44	43			40		38	37	36				34					
																										20	19	18	17		
												73		16	15			12		10	9					6	5		2	1	
SALEABLE	NOT APPLICABLE	34566-9553	0	C	BLUE																										
						52	51	50	49			66	65	64	63	62		60	59		57	56	55	54	53						
																									39	37	36	35	34	33	
																32		30	29	28	27	26	25	24	23	22		19	18	17	
SALEABLE	NOT APPLICABLE	34566-9563	0	C	BLUE																										
						72	71	70	69			67	66	65	64						60					56		54			
						52	51	50	49			48	47	46	45	44				40	39	38							34		
																														17	
SALEABLE	NOT APPLICABLE	34566-9573	0	B	ST GRAY																										
						72	71	70	69			68	67		65	64	63		61	60	59		57	56	55	54	53				
						52	51	50	49			48	47	46	45	44	43	42		40	39				36	35	34	33			
SALEABLE	NOT APPLICABLE	34566-9583	0	B	ST GRAY																										
						72	71	70	69			68	67	66	65	64	63		61	60	59		57	56	55	54					
						52	51	50	49			48	47	46	45	44	43		41	40	39	38	37	36	35	34	33				
SALEABLE	NOT APPLICABLE	34566-9593	0	A	BLACK	72		70																							
						52	51			48	47									43	42		40	39	38	37	36	35			
																														18	17
																															2
SALEABLE	NOT APPLICABLE	34566-9613	0	C	BLUE		71	70	69																						
						52	51	50	49			67	66	65	64							60							56		
												47	46	45	44							40	39							34	
																															17
SALEABLE	NOT APPLICABLE	34566-9623	9	B	ST GRAY	72	71	70																							
						52	51	50																							

MX123 52/66/73/80-WAY RECEPTACLE ASSY SEALED PIN OUT SHEET

STATUS	GM PART #	HRNS CONN ASSY			TPA	GROMMET CAP																				
		MATERIAL/PART	WIRE DRESS OPTION	KEY OPTION Fp	COLOR OPTION Fp	NUMBERS INDICATE CAVITIES OPEN FOR CIRCUITS Fp																				
		NUMBER																								
SALEABLE	NOT APPLICABLE	34566-9633	9	B	ST GRAY	72	71	70	69	68	67		65	64	63		61	60	59		57	56	55	54	53	
						52	51	50	49	48	47	46	45	44	43	42		40	39				36	35	34	33
						73				32	31	30	29	28	27	26	25	24	23	22	21	20				
SALEABLE	NOT APPLICABLE	34566-9643	9	A	BLACK				69					64	63		61		59							
						52				48				44	43		41		39	38			35	34		
						73						30	29							10						2
SALEABLE	NOT APPLICABLE	34566-9653	9	G	BLUE	80													66	65						
							59		57																	
							39									30										
SALEABLE	NOT APPLICABLE	34566-9663	0	B	ST GRAY	72	71	70	69	68	67	66	65	64	63		61			58	57	56	55	54	53	
						52	51	50	49	48	47	46	45	44			40				37	36	35	34	33	
						73				32		30	29	28		26	25	24		21						
SALEABLE	NOT APPLICABLE	34822-0533	9	C	BLUE	64	63			60	59		57	56	55		53	52	51	50	49	66				
						48	47	46	45			42			39	38		36	35	34	33					
						65				32		30	29	28	27	26	25	24	23	22		20		18	17	
SALEABLE	NOT APPLICABLE	34822-0543	0	A	BLACK	64	63	62	61	60	59					54	53		51		49	66				
							47								38	37		35		33						
						65							28			25	24		22	21	20	19	18	17		
SALEABLE	NOT APPLICABLE	34822-0553	0	A	BLACK	64	63								54	53		51		49	66					
														38	37		35		33							
						65					31		28			24	23		21	20	19	18	17			
SALEABLE	NOT APPLICABLE	34822-0563	0	C	BLUE	64	63	62		60	59		57	56	55	54	53	52	51	50	49	66				
						48	47	46	45			42			39		37	36	35	34	33					
						65				32		30	29	28	27	26		24	23	22			19	18	17	
SALEABLE	NOT APPLICABLE	34566-9673	0	C	BLUE	72	71	70	69		67	66	65	64				60			56		54			
						52	51	50	49		47	46	45	44				40	39	38						34
						73					31	30	28		26	25	24	23	22	21	20					
SALEABLE	NOT APPLICABLE	34566-9683	0	B	ST GRAY	72	71	70	69	68	67	66	65	64	63		61	60		57	56	55	54			
						52	51	50	49	48	47	46	45	44	43		41	40		38	37	36	35			33
						73				32	31	30	29	28		26		24	23	22	21	20	19			
SALEABLE	NOT APPLICABLE	34566-9693	0	A	BLACK	72		70			67					63			60	59	58	57	56	55	53	
						52	51			48	47				43	42		40	39	38	37	36	35			33
						73							28													18
SALEABLE	NOT APPLICABLE	34566-9713	0	B	ST GRAY					68	67	66	65	64					59	58	57		55	54	53	
							51	50	49	48		46	45		43	42		40	39	38	37		35			33
						73				32	31	30			26		24	23	22		20					
SALEABLE	NOT APPLICABLE	34566-9723	0	B	ST GRAY																					
							51	50	49	48	47	46	45		43		40			37	36					
						73				32		30	29	28		26	25	24		21		19				
SALEABLE	NOT APPLICABLE	34566-9733	0	A	BLACK	72	71	70			67	66						59						53		
						52	51	50			47	46						39		37		35				33
						73						30	29	28	27	26			21							
SALEABLE	NOT APPLICABLE	34822-0573	0	A	BLACK	64	63									54	53		51		49	66				
															38	37		35		33						
						65							28				24		22		20	19	18	17		

MX123 52/66/73/80-WAY RECEPTACLE ASSY SEALED PIN OUT SHEET

STATUS	GM PART #	HRNS CONN ASSY			TPA	GROMMET CAP																		
		MATERIAL/PART	WIRE DRESS OPTION	KEY OPTION Fp	COLOR OPTION Fp	NUMBERS INDICATE CAVITIES OPEN FOR CIRCUITS																		
		NUMBER				Fp																		
SALEABLE	NOT APPLICABLE	34822-0583	0	A	BLACK																			
						65																		
						66																		
SALEABLE	NOT APPLICABLE	34822-0593	0	A	BLACK	64 63 62 61 60 59 58 57 56 55 54 53 52 51 50 49 48 47 46 45 44																		
						65																		
						66																		
SALEABLE	NOT APPLICABLE	34566-9743	0	B	ST GRAY	72 71 70 69 68 67 66 65 64 63 62 61 60 59 58 57 56 55 54 53																		
						73																		
						66																		
SALEABLE	NOT APPLICABLE	34566-9753	0	C	BLUE	72 71 70 69 68 67 66 65 64 63 62 61 60 59 58 57 56 55 54 53																		
						73																		
						66																		
SALEABLE	NOT APPLICABLE	34566-9763	0	G	BLUE	78 77 76 75 74 73 72 71 70 69 68 67 66 65 64 63 62 61 60 59																		
						73																		
						66																		
SALEABLE	NOT APPLICABLE	34566-9773	0	A	BLACK	72 71 70 69 68 67 66 65 64 63 62 61 60 59 58 57 56 55 54 53																		
						73																		
						66																		
SALEABLE	NOT APPLICABLE	34566-9783	0	B	ST GRAY	72 71 70 69 68 67 66 65 64 63 62 61 60 59 58 57 56 55 54 53																		
						73																		
						66																		
SALEABLE	NOT APPLICABLE	34822-0603	0	C	BLUE	64 63 62 61 60 59 58 57 56 55 54 53 52 51 50 49 48 47 46 45 44																		
						65																		
						66																		
SALEABLE	NOT APPLICABLE	34822-0613	0	A	BLACK	63 62 61 60 59 58 57 56 55 54 53 52 51 50 49 48 47 46 45 44																		
						65																		
						66																		
SALEABLE	NOT APPLICABLE	34566-9793	9	B	ST GRAY	72 71 70 69 68 67 66 65 64 63 62 61 60 59 58 57 56 55 54 53																		
						73																		
						66																		
SALEABLE	NOT APPLICABLE	34566-9813	9	A	BLACK	72 71 70 69 68 67 66 65 64 63 62 61 60 59 58 57 56 55 54 53																		
						73																		
						66																		
SALEABLE	NOT APPLICABLE	34822-0623	0	A	BLACK	64 63 62 61 60 59 58 57 56 55 54 53 52 51 50 49 48 47 46 45 44																		
						65																		
						66																		
SALEABLE	NOT APPLICABLE	34566-9823	0	A	BLACK	72 71 70 69 68 67 66 65 64 63 62 61 60 59 58 57 56 55 54 53																		
						73																		
						66																		
SALEABLE	NOT APPLICABLE	34822-0633	0	A	BLACK	63 62 61 60 59 58 57 56 55 54 53 52 51 50 49 48 47 46 45 44																		
						65																		
						66																		
SALEABLE	NOT APPLICABLE	34822-0643	9	C	BLUE	64 63 62 61 60 59 58 57 56 55 54 53 52 51 50 49 48 47 46 45 44																		
						65																		
						66																		





MX123 52/66/73/80-WAY RECEPTACLE ASSY SEALED PIN OUT SHEET

STATUS	GM PART #	HRNS CONN ASSY			TPA	GROMMET CAP																													
		MATERIAL/PART	WIRE DRESS OPTION	KEY OPTION ▽ Fp	COLOR OPTION ▽ Fp	NUMBERS INDICATE CAVITIES OPEN FOR CIRCUITS ▽ Fp																													
		NUMBER				72	71	70	69					64	63		61			58	57	56	55												
SALEABLE	NOT APPLICABLE	34566-0114	0	B	ST GRV	52	51	50	49							62	61	60	59								33								
						73											16	15	14	13	12	11	10	9	8	7	6	5	4				1		
SALEABLE	NOT APPLICABLE	34566-0124	0	B	ST GRV	72										62	61	60	59								33								
						73											16	15	14							22	21	20	19	18	17				
SALEABLE	NOT APPLICABLE	34566-0134	0	B	ST GRV	72										62	61	60	59							33									
						73											16	15	14							22	21	20	19	18					
SALEABLE	NOT APPLICABLE	34566-0144	9	B	ST GRV							66				41							58				33								
						73																					38	37			20	19	18	17	
SALEABLE	NOT APPLICABLE	34822-0663	9	C	BLUE								61	60												33									
						65																						37						66	
SALEABLE	NOT APPLICABLE	34822-0673	0	A	BLACK	64									58	57	56	55							33										
						65											44	43										36						66	
SALEABLE	NOT APPLICABLE	34822-0683	9	A	BLACK		63	62	61	60	59														33										
						65																								49				66	
SALEABLE	NOT APPLICABLE	34822-0693	9	C	BLUE										58										33										
						65																													66
SALEABLE	NOT APPLICABLE	34566-0154	9	B	ST GRV	72	71	70	69	68	67	66	65	64	63	62	61	60	59				57	56	55	54	53								
						73											32	31	30	29	28	27	26	25	24	23	22	21						33	
SALEABLE	NOT APPLICABLE	34566-0164	0	G	BLUE	80	79	78	77			75											66	65	64		62								
						73																													
SALEABLE	NOT APPLICABLE	34566-0174	9	B	ST GRV	72	71	70																	33										
						73																													
SALEABLE	NOT APPLICABLE	34566-0184	9	B	ST GRV	72	71	70	69	68	67	66	65	64	63								58	57	56	55	54	53							
						73											16		14	13	12	11	10	9	8										33