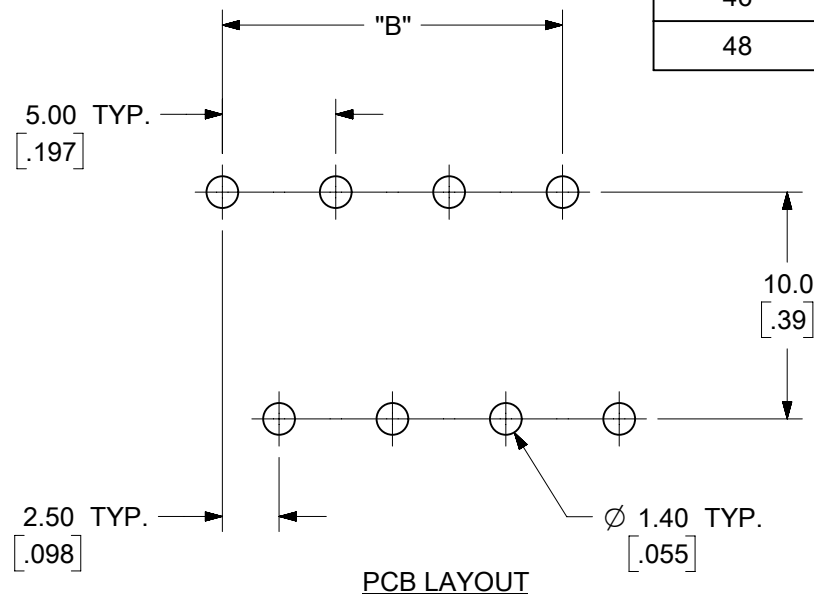


- SPECIFICATIONS:**
- MATERIAL:**
    - (A) BODY: PA66 (UL 94V-0).
    - (B) PIN: BRASS.
    - (C) COVER: PBT (UL 94V-0).
  - ELECTRICAL RATING:** 300V, 15A.
  - DIELECTRIC WITHSTAND:** AC 2500V FOR 1 MINUTE.
  - BREAKDOWN VOLTAGE:** 4000V.
  - INSULATION RESISTANCE:** DC 1000V, 1000 MEGOHMS.
  - OPERATING TEMPERATURE:** -40°C TO +105°C.
  - NUMBER OF CIRCUIT POSITIONS AVAILABLE= 4 THROUGH 48, EVEN NUMBERED CIRCUIT SIZES ONLY.**
  - ALL COMPONENTS ARE ROHS COMPLIANT.**
  - DIMS SHOWN ARE FOR REFERENCE ONLY.**

| TOLERANCES |       |           |       |
|------------|-------|-----------|-------|
| MM         | TOL   | INCH      | TOL   |
| 0-6        | ±0.25 | 0-.24     | ±.010 |
| >6-30      | ±0.40 | .24-1.18  | ±.016 |
| >30-120    | ±0.50 | 1.18-4.76 | ±.020 |
| >120       | ±0.80 | >4.76     | ±.031 |

|   |  |   |  |
|---|--|---|--|
| <b>SYMBOLS</b><br>THIS DRAWING CONTAINS INFORMATION THAT IS PROPRIETARY TO MOLEX ELECTRONIC TECHNOLOGIES, LLC AND SHOULD NOT BE USED WITHOUT WRITTEN PERMISSION<br>DIMENSION UNITS: MM/INCH<br>SCALE: 3:1<br>CURRENT REV DESC: MIGRATION TO ECTR/NX |  | <b>molex</b><br>5.0MM, EURO DUAL HEADER, HORIZONTAL, OPEN END, STACKABLE  |  |
| GENERAL TOLERANCES (UNLESS SPECIFIED)<br>4 PLACES ± --- ± ---<br>3 PLACES ± --- ± SEE CHART<br>2 PLACES ± SEE CHART ± SEE CHART<br>1 PLACE ± SEE CHART ± ---<br>0 PLACES ± --- ± ---  |  | EC NO: 620717<br>DRWN: ABENJAMINLW 2019/07/11<br>CHK'D: DACHAMMER 2019/07/16<br>APPR: JFMURPHY 2019/08/02   |  |
| ANGULAR TOL ± ---<br>DRAFT WHERE APPLICABLE MUST REMAIN WITHIN DIMENSIONS   |  | INITIAL REVISION:<br>DRWN: LROTHAUS 2006/01/09<br>APPR: JPAWLICK 2006/01/10   |  |
| THIRD ANGLE PROJECTION<br>DRAWING: B-SIZE<br>SERIES: 39528  |  | PRODUCT CUSTOMER DRAWING<br>DOCUMENT NUMBER: SD-39528-001<br>DOC TYPE: PSD<br>DOC PART: 001<br>REVISION: B2<br>MATERIAL NUMBER: SEE SHEET-2<br>CUSTOMER: GENERAL MARKET<br>SHEET NUMBER: 1 OF 2 |  |

| CIRCUIT SIZE | MATERIAL NUMBERS |            |           |            | DIMENSIONAL INFORMATION |       |          |       |
|--------------|------------------|------------|-----------|------------|-------------------------|-------|----------|-------|
|              | BLACK            |            | GREEN     |            | DIM. "A"                |       | DIM. "B" |       |
|              | 100% TIN         | 30 u" GOLD | 100% TIN  | 30 u" GOLD | mm                      | inch  | mm       | inch  |
| 4            | 395280004        | 395280504  | 395285004 | 395285504  | 10.00                   | .394  | 5.00     | .197  |
| 6            | 395280006        | 395280506  | 395285006 | 395285506  | 15.00                   | .591  | 10.00    | .394  |
| 8            | 395280008        | 395280508  | 395285008 | 395285508  | 20.00                   | .787  | 15.00    | .591  |
| 10           | 395280010        | 395280510  | 395285010 | 395285510  | 25.00                   | .984  | 20.00    | .787  |
| 12           | 395280012        | 395280512  | 395285012 | 395285512  | 30.00                   | 1.181 | 25.00    | .984  |
| 14           | 395280014        | 395280514  | 395285014 | 395285514  | 35.00                   | 1.378 | 30.00    | 1.181 |
| 16           | 395280016        | 395280516  | 395285016 | 395285516  | 40.00                   | 1.575 | 35.00    | 1.378 |
| 18           | 395280018        | 395280518  | 395285018 | 395285518  | 45.00                   | 1.772 | 40.00    | 1.575 |
| 20           | 395280020        | 395280520  | 395285020 | 395285520  | 50.00                   | 1.969 | 45.00    | 1.772 |
| 22           | 395280022        | 395280522  | 395285022 | 395285522  | 55.00                   | 2.165 | 50.00    | 1.969 |
| 24           | 395280024        | 395280524  | 395285024 | 395285524  | 60.00                   | 2.362 | 55.00    | 2.165 |
| 26           | 395280026        | 395280526  | 395285026 | 395285526  | 65.00                   | 2.559 | 60.00    | 2.362 |
| 28           | 395280028        | 395280528  | 395285028 | 395285528  | 70.00                   | 2.756 | 65.00    | 2.559 |
| 30           | 395280030        | 395280530  | 395285030 | 395285530  | 75.00                   | 2.953 | 70.00    | 2.756 |
| 32           | 395280032        | 395280532  | 395285032 | 395285532  | 80.00                   | 3.150 | 75.00    | 2.953 |
| 34           | 395280034        | 395280534  | 395285034 | 395285534  | 85.00                   | 3.346 | 80.00    | 3.150 |
| 36           | 395280036        | 395280536  | 395285036 | 395285536  | 90.00                   | 3.543 | 85.00    | 3.346 |
| 38           | 395280038        | 395280538  | 395285038 | 395285538  | 95.00                   | 3.740 | 90.00    | 3.543 |
| 40           | 395280040        | 395280540  | 395285040 | 395285540  | 100.00                  | 3.937 | 95.00    | 3.740 |
| 42           | 395280042        | 395280542  | 395285042 | 395285542  | 105.00                  | 4.134 | 100.00   | 3.937 |
| 44           | 395280044        | 395280544  | 395285044 | 395285544  | 110.00                  | 4.331 | 105.00   | 4.134 |
| 46           | 395280046        | 395280546  | 395285046 | 395285546  | 115.00                  | 4.528 | 110.00   | 4.331 |
| 48           | 395280048        | 395280548  | 395285048 | 395285548  | 120.00                  | 4.724 | 115.00   | 4.528 |



| TOLERANCES |       |           |       |
|------------|-------|-----------|-------|
| MM         | TOL   | INCH      | TOL   |
| 0-6        | ±0.25 | 0-.24     | ±.010 |
| >6-30      | ±0.40 | .24-1.18  | ±.016 |
| >30-120    | ±0.50 | 1.18-4.76 | ±.020 |
| >120       | ±0.80 | >4.76     | ±.031 |

|                   |   |                   |  |
|-------------------|---|-------------------|--|
| SYMBOLS           | THIS DRAWING CONTAINS INFORMATION THAT IS PROPRIETARY TO MOLEX ELECTRONIC TECHNOLOGIES, LLC AND SHOULD NOT BE USED WITHOUT WRITTEN PERMISSION |                   |  |
|                   | DIMENSION UNITS   | SCALE             | CURRENT REV DESC: MIGRATION TO ECTR/NX |
| ▽ = 0             | MM/INCH   | 3:1               |  |
| ▽ = 0             | GENERAL TOLERANCES (UNLESS SPECIFIED)   |                   |  |
| ▽ = 0             |   | MM                | INCH                                   |
| ▽ = 0             | 4 PLACES ±  | ---               | ---                                    |
| ▽ = 0             | 3 PLACES ±  | ---               | SEE CHART                              |
| ▽ = 0             | 2 PLACES ±  | SEE CHART         | SEE CHART                              |
| ▽ = 0             | 1 PLACE ±   | SEE CHART         | ---                                    |
| ▽ = 0             | 0 PLACES ±  | ---               | ---                                    |
| ⊠ = 0             | ANGULAR TOL ±   |                   |  |
| ■ = 0             | DRAFT WHERE APPLICABLE MUST REMAIN WITHIN DIMENSIONS  |                   |  |
| ▽ = 0             | THIRD ANGLE PROJECTION  | DRAWING           | SERIES                                 |
|                   |   | B-SIZE            | 39528                                  |
| EC NO: 620717     |   | DRWN: ABENJAMINLW | 2019/07/11                             |
| DRWN: LROTHAUS    |   | CHK'D: DACHAMMER  | 2019/07/16                             |
| APPR: JFMURPHY    |   | APPR: JFMURPHY    | 2019/08/02                             |
| INITIAL REVISION: |   |                   |  |
| DRWN: LROTHAUS    |   | 2006/01/09        |  |
| APPR: JPAWLICK    |   | 2006/01/10        |  |
| DOCUMENT NUMBER   |   | DOC TYPE          | DOC PART                               |
| SD-39528-001      |   | PSD               | 001                                    |
| REVISION          |   |                   |  |
| B2                |   |                   |  |
| MATERIAL NUMBER   |   | CUSTOMER          | SHEET NUMBER                           |
| SEE TABLE         |   | GENERAL MARKET    | 2 OF 2                                 |