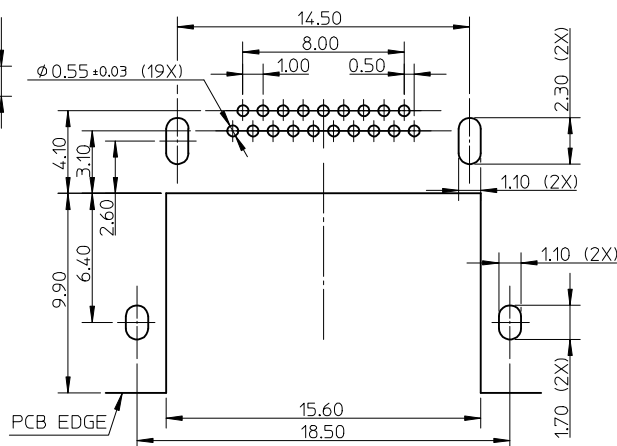
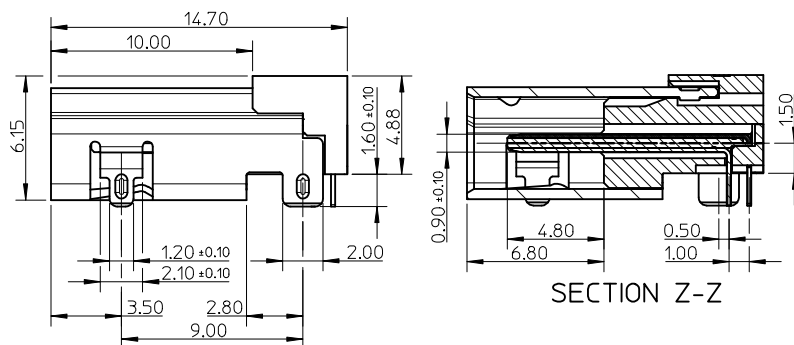
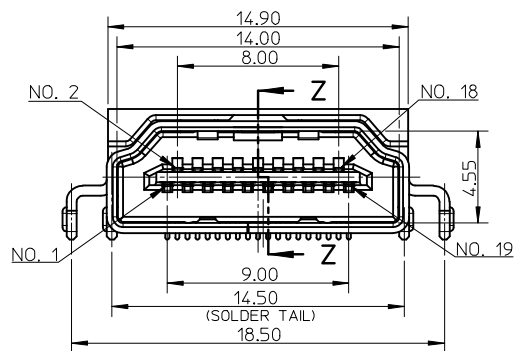
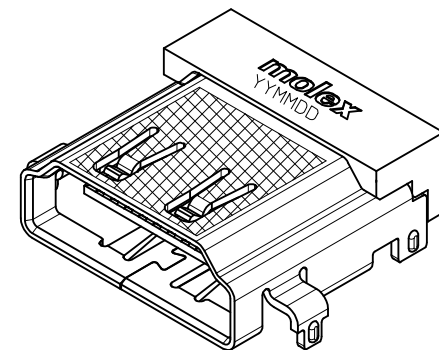
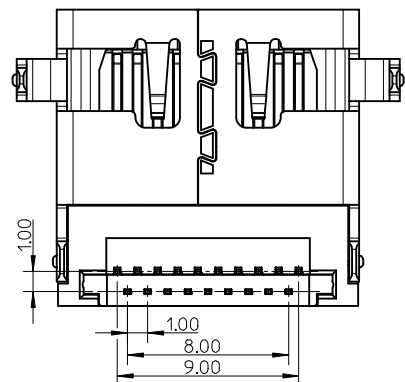


NOTES:

- MATERIAL:
 - HOUSING/COVER: HIGH TEMPERATURE THERMAL PLASTIC, UL94V-0, COLOR: BLACK.
 - SHELL: COPPER ALLOY.
 - TERMINAL: COPPER ALLOY.
- PLATING:
 - TERMINAL:
 - CONTACT AREA: SEE TABLE.
 - SOLDER AREA: 1 MICROMETER MIN. TIN-BISMUTH ALLOY PLATED.
 - UNDER PLATE: 1 MICROMETER MIN. NICKEL.
 - SHELL: 1.27 MICROMETER MIN. SOLDERABLE NICKEL PLATE OVERALL.
- PRODUCT SPECIFICATION REFER TO PS-47152-001; TBA FOR PD/NI OPTION.
- PACKAGE SPECIFICATION REFER TO PK-47630-001.
- PRODUCT COMPLIANT TO RoHS DIRECTIVE 2002/95/EC AND ELV DIRECTIVE 2000/53/EC.



47630-1013	0.05 MICROMETER MIN. GOLD PLATING OVER	HALOGEN FREE
47630-1003	0.70 MICROMETER MIN. PD/NI PLATING	HALOGEN
47630-1012	GOLD FLASH	
47630-1011	0.25 MICROMETER MIN. GOLD PLATING	HALOGEN FREE
47630-1010	0.76 MICROMETER MIN. GOLD PLATING	
47630-1002	GOLD FLASH	
47630-1001	0.25 MICROMETER MIN. GOLD PLATING	HALOGEN
47630-1000	0.76 MICROMETER MIN. GOLD PLATING	
P/N	CONTACT AREA PLATING	DESCRIPTION



ADD PART NUMBER EC NO: S2012-0578 DRWN: ZENG 2012/01/31 CHKD: JESSIECHUA 2012/03/15 APPR: NAQESHKIN 2012/03/19	QUALITY SYMBOLS ▽=0 ◻=0	GENERAL TOLERANCES (UNLESS SPECIFIED)		DIMENSION STYLE MM ONLY		SCALE 4:1	DESIGN UNITS METRIC	THIRD ANGLE PROJECTION			
			mm	INCH	DRAWN BY	DATE	TITLE				
		4 PLACES	± ---	± ---	CHEN BO	2007/10/15	HDMI RECEPTACLE				
		3 PLACES	± ---	± ---	CHECKED BY	DATE	RIGHT ANGLE				
			2 PLACES	± 0.20	± ---	JOHNSON	2007/10/15	MID MOUNT TYPE			
			1 PLACE	± 0.30	± ---	APPROVED BY	DATE	MOLEX INCORPORATED			
			ANGULAR ± 1 °			HARVEY	2007/10/15	MOLEX INCORPORATED			
			DRAFT WHERE APPLICABLE MUST REMAIN WITHIN DIMENSIONS		MATERIAL NO. SEE TABLE		DOCUMENT NO. SD-47630-100		SHEET NO. 1 OF 1		
			THIS DRAWING CONTAINS INFORMATION THAT IS PROPRIETARY TO MOLEX INCORPORATED AND SHOULD NOT BE USED WITHOUT WRITTEN PERMISSION								