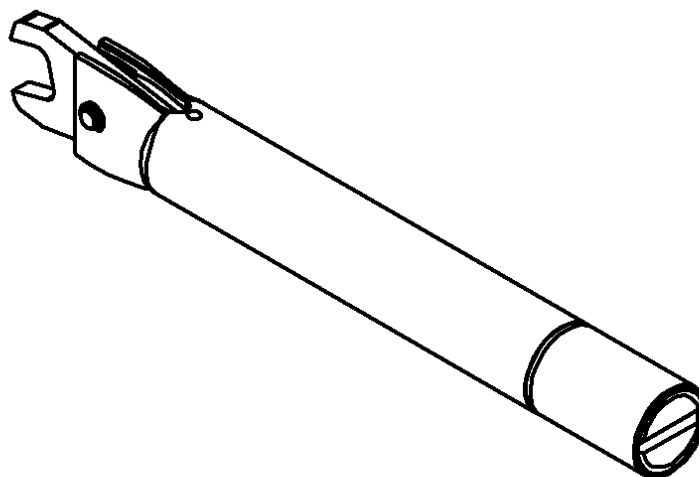
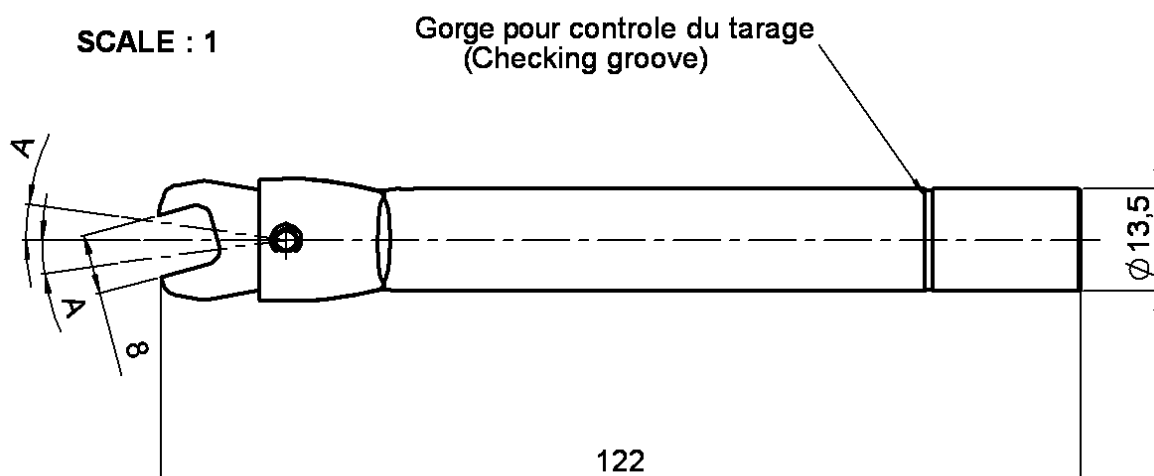


TORQUE WRENCH**8 MM - 35to 45 N.cm****R282.320.040**Series : **OUT****OPERATION**

The torque wrench is designed to automatically make a « click sound ».

The wrench will work the same in both directions.

Be careful : **DO NOT APPLY PRESSURE** to the wrench **AFTER** hearing the click sound, it will possibly damage the connector.

ENSURE PROPER TORQUE

Apply verification force at the groove level on the handle.

- Coupling torque 40Ncm +/-5 Ncm
- A A' angular sweep approximately 8°

Issue : 0122 B

In the effort to improve our products, we reserve the right to make changes judged to be necessary.

