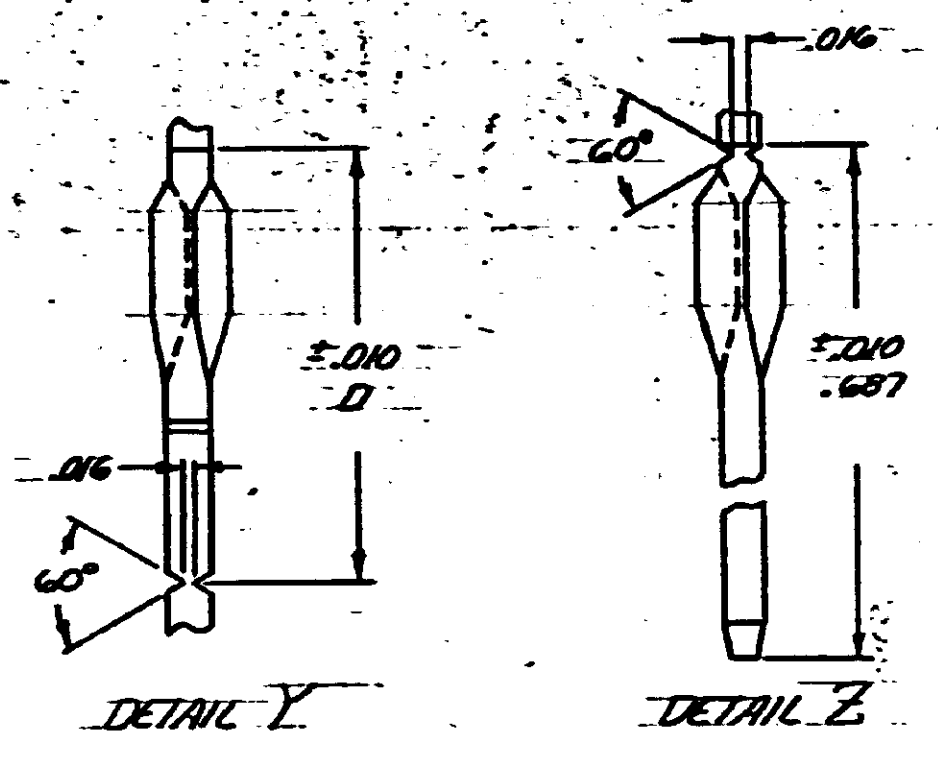
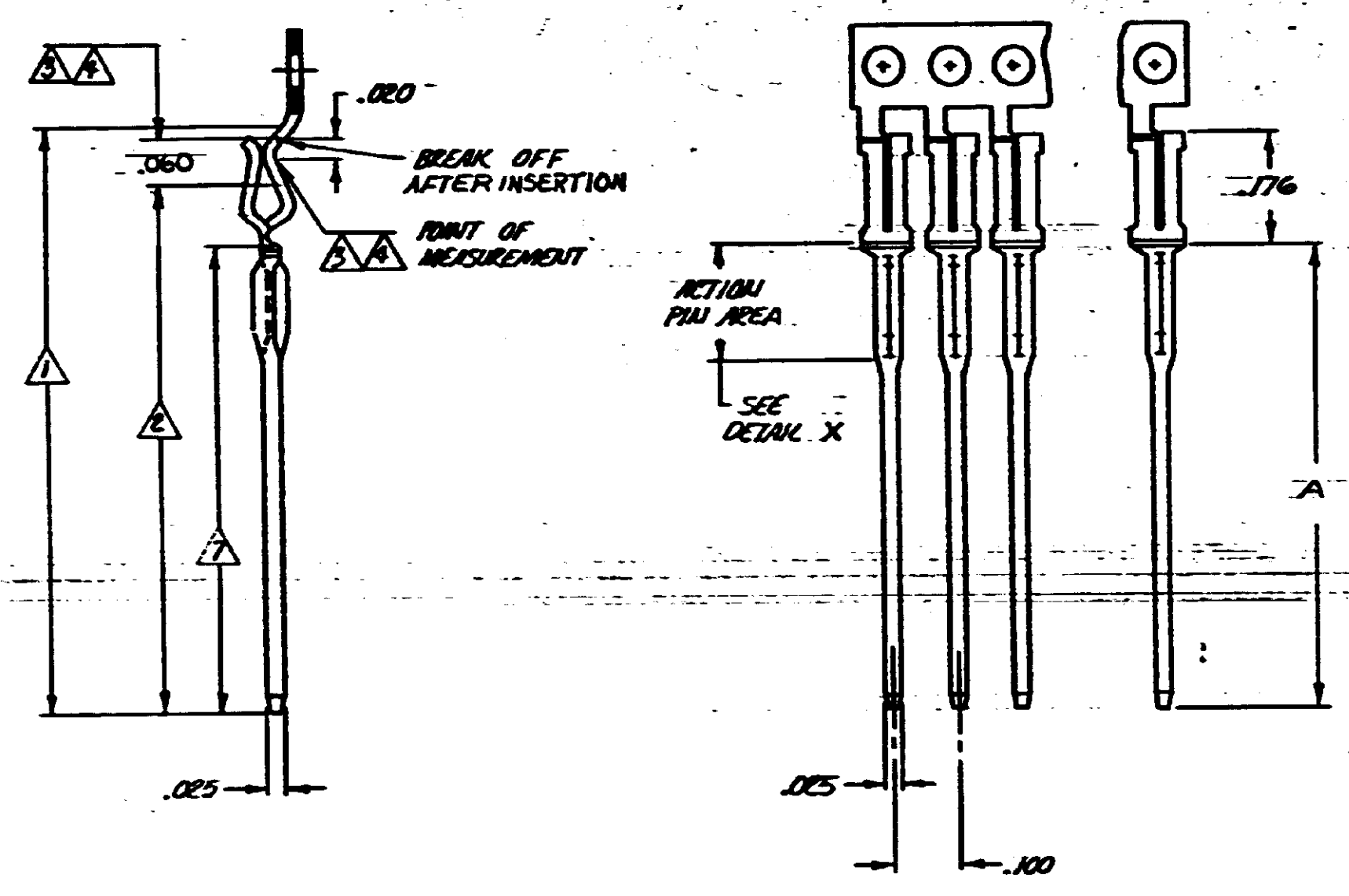
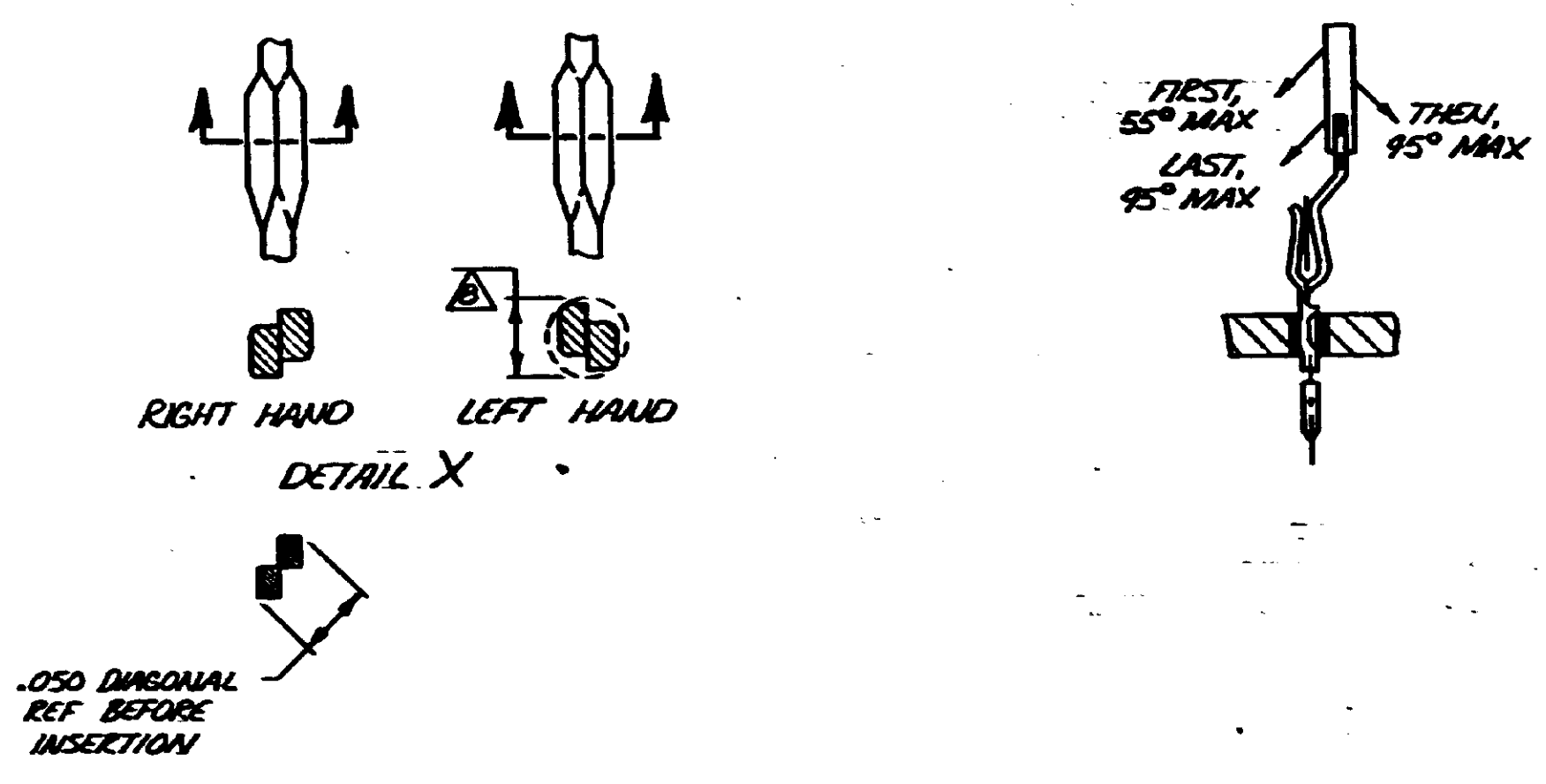


THIS DRAWING IS UNPUBLISHED. RELEASED FOR PUBLICATION. 10
 COPYRIGHT 1964 BY AMP INCORPORATED, HARRISBURG, PA. ALL INFORMATION CONTAINED HEREIN IS UNCLASSIFIED EXCEPT WHERE SHOWN OTHERWISE. AMP PRODUCTS MAY BE COVERED BY U.S. AND FOREIGN PATENTS AND/OR PATENTS PENDING.

| REV | DATE | DESCRIPTION | APPROVED |
|-----|----------|----------------------|----------|
| 1 | 12-5-63 | REVISED PER OBS-1016 | |
| 2 | 3-8-64 | REV PER ECN AB-1888 | |
| 3 | 9-8-66 | OBS-10 END OF 0148 | |
| 4 | 11-16-66 | REVISED PER DF 6304 | |



- 1. GOLD PL. (MIL-G-45209), .000050 MIN THK OVER NICKEL PL. (QQ-NI-290), .000100 MIN THK.
- 2. GOLD PL. (MIL-G-45209), .000010 MIN THK OVER NICKEL PL. (QQ-NI-290), .000100 MIN THK.
- 3. GOLD PL. (MIL-G-45209), .000030 MIN THK OVER NICKEL PL. (QQ-NI-290), .000100 MIN THK.
- 4. GOLD PL. (MIL-G-45209), .000050 MIN THK OVER NICKEL PL. (QQ-NI-290), .000100 MIN THK.
- 5. PLATING NOT REQUIRED ON CARRIER STRIP.
- 6. REFER TO DRAWING 117178 FOR TYPICAL CONNECTOR SYSTEM APPLICATION.
- 7. .04175 DIA HOLE IS REQD FOR ASSEMBLY INTO PLATED THRU HOLES. PRIOR TO REFLOW SOLDER OPERATIONAL .036 TO .043 DIA HOLE IS REQD FOR PRESS FIT APPLICATION.
- 8. RIGHT AND LEFT HAND CONTACTS, ALTERNATE ON CARRIER STRIP.
- 9. A TYPE HOLE.
- 10. OBSOLETE (DUE TO NO ACTIVITY).



| SIZE | CONTRACT NO. | FINISH | PART NO. |
|------|--------------|--------|------------|
| .315 | 117906 | AA | 1-119272-9 |
| .275 | 228098-1 | AA | 1-119272-8 |
| .260 | 118413 | AA | 1-119272-7 |
| .245 | 118438-1 | AA | 1-119272-6 |
| .225 | 117906 | AA | 1-119272-5 |
| .210 | 118453 | AA | 1-119272-4 |
| .190 | 118453 | AA | 1-119272-3 |
| .170 | 118453 | AA | 1-119272-2 |
| .155 | 118272 | AA | 1-119272-1 |
| .155 | 117906 | AA | 1-119272-0 |
| .155 | 117768 | AA | 1-119272-8 |
| | 117619 | AA | 1-119272-9 |
| | 228098 | AA | 1-119272-6 |
| | | AA | 1-119272-5 |
| | 118449 | AA | 1-119272-4 |
| | 117770 | AA | 1-119272-2 |

| | | | |
|--|--------------------------|---|--|
| UNLESS OTHERWISE SPECIFIED DIMENSIONS ARE IN INCHES. TOLERANCES ON: DECIMALS ±.000 ANGLES ±.5° | CONTRACT NO. | AMP INCORPORATED Harrisburg, Pa. 17112 | |
| | DR. T. Smith 4/14/63 | NAME | CONTACT, RECEPTACLE, PCB |
| MATERIAL BERYLUM COPPER (QQ-C-533) | CHK. R. J. Smith 4/14/63 | APPD. R. J. Smith 4/14/63 | ECONOMITE II |
| FINISH AAA | DSGN APPD. | OTHER APPD. T. Smith 4/14/63 | SIZE D FSCM NO. 00779 DRAWING NO. 119272-2 |