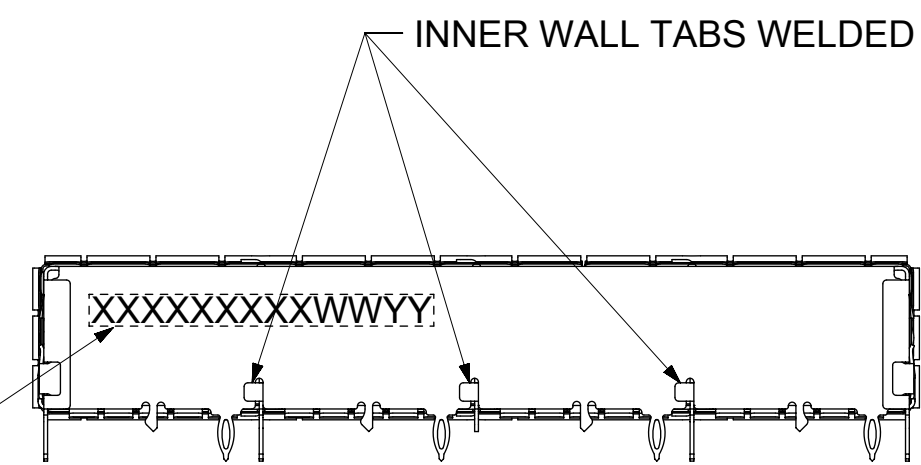
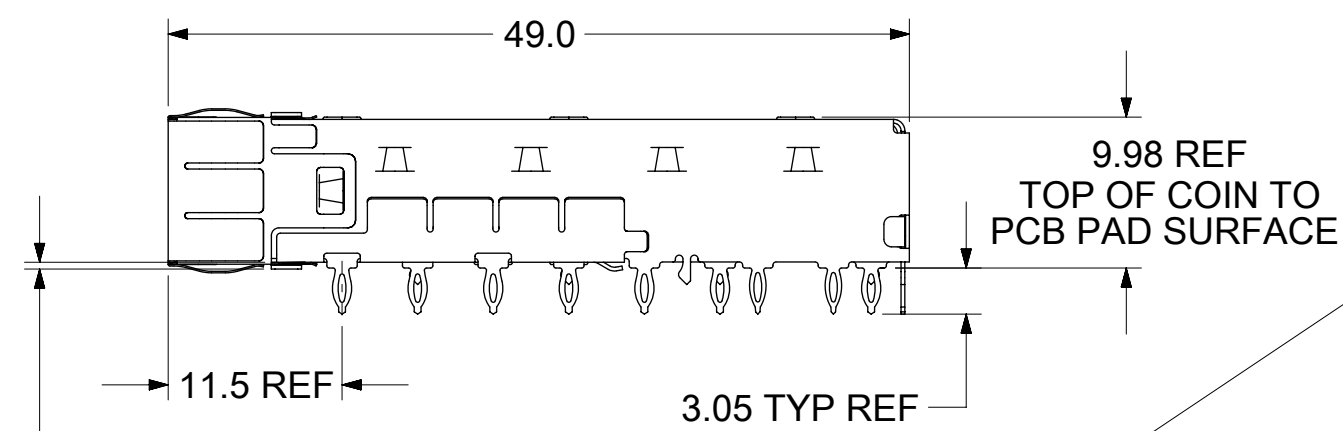
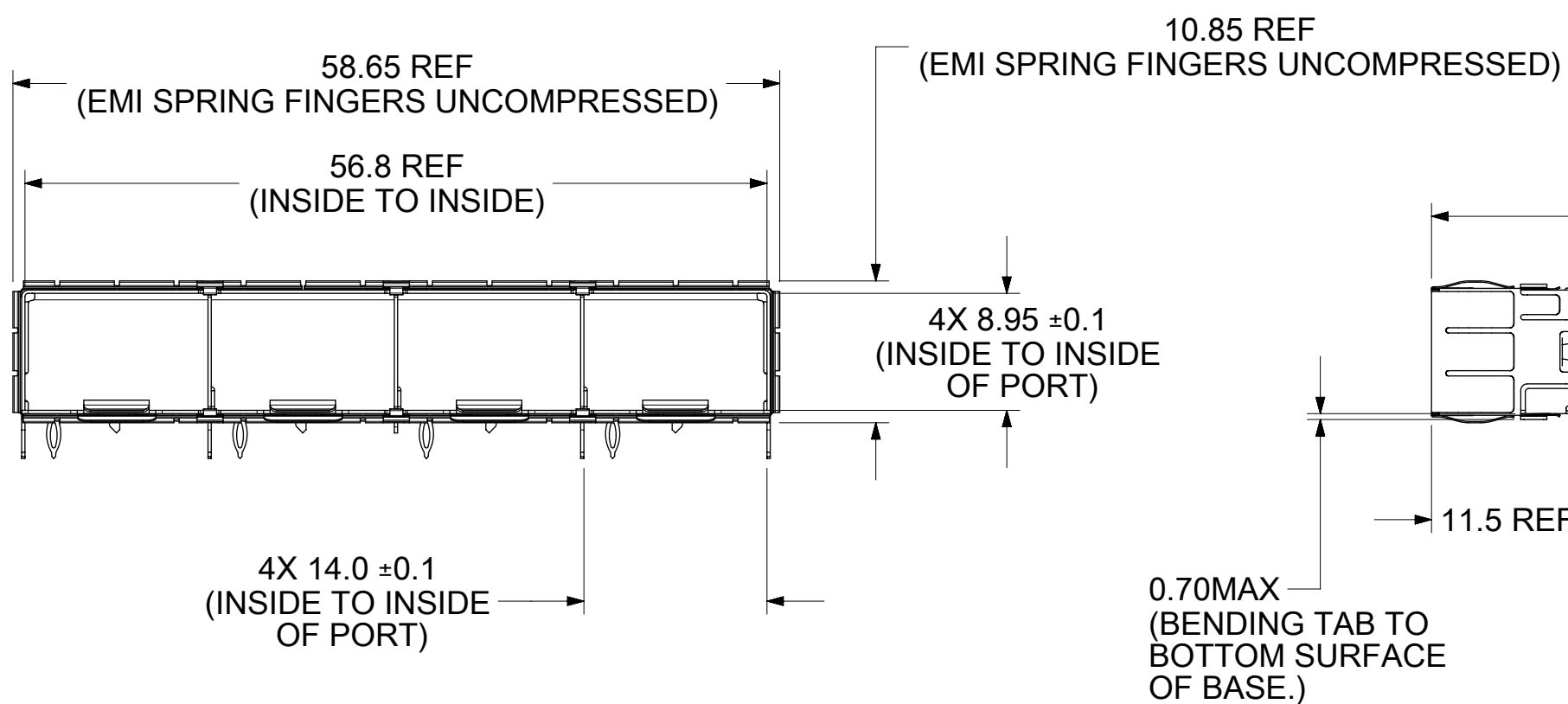
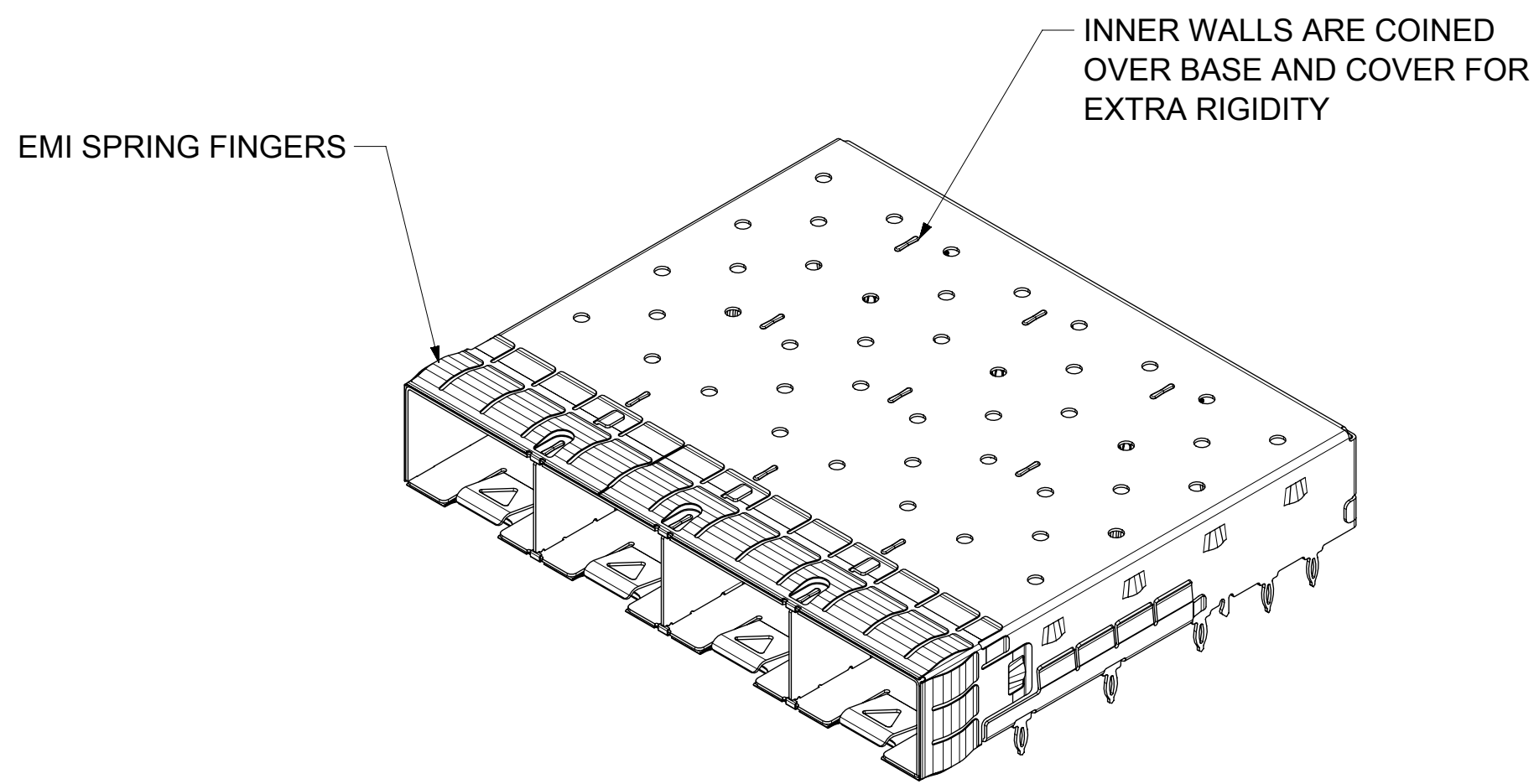
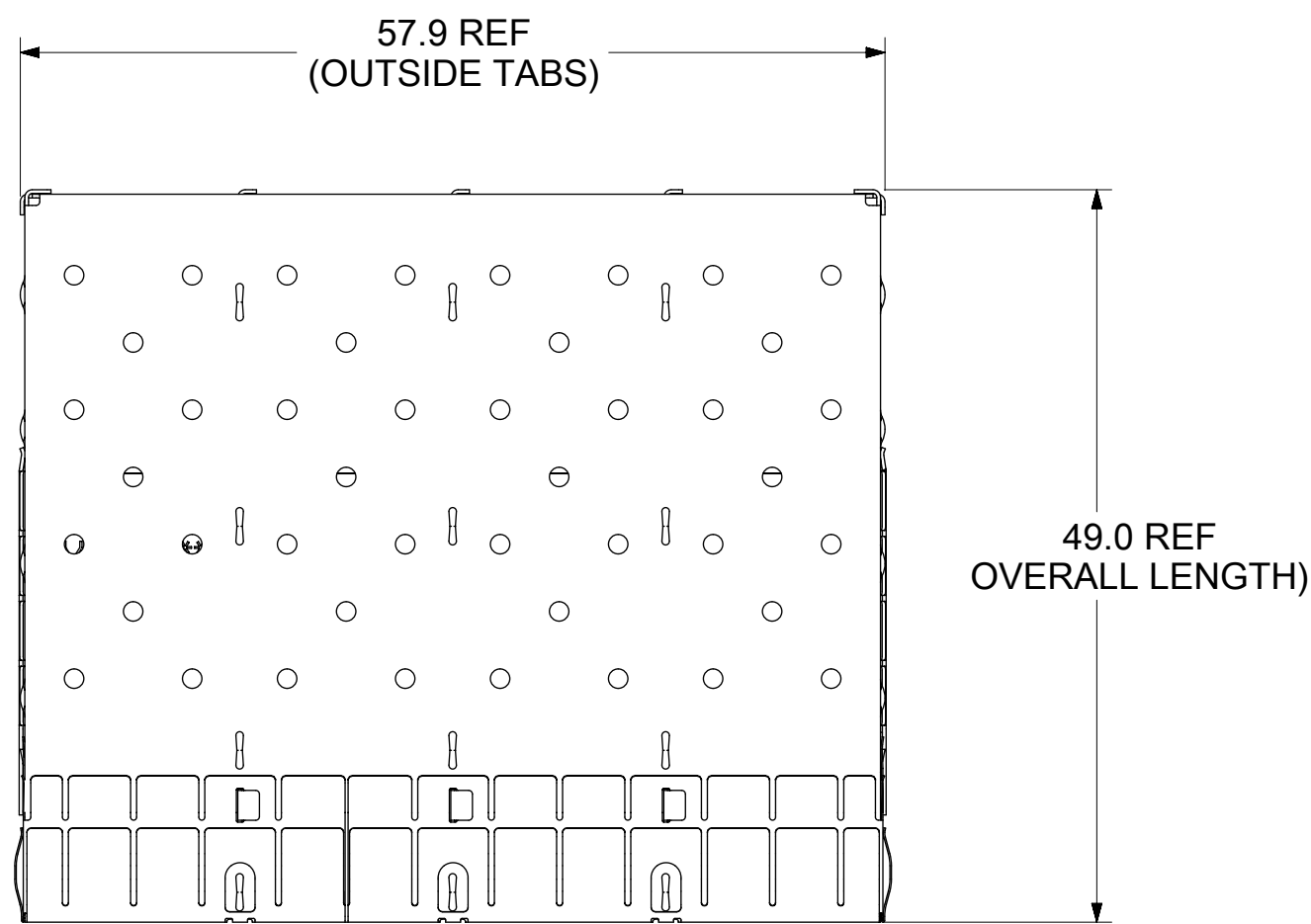


# BASE CAGE DETAILS

(APPLIES TO ALL CAGES IN THIS DRAWING)

**747548423**

SHOWN



PART NO. AND WEEK/YEAR DATE CODE TO BE PRINTED ON THE BACK OF COMPLETED CAGE ASSEMBLY APPROXIMATELY AS SHOWN ON 74754 SERIES CAGE ASSEMBLIES.

**NOTES:**

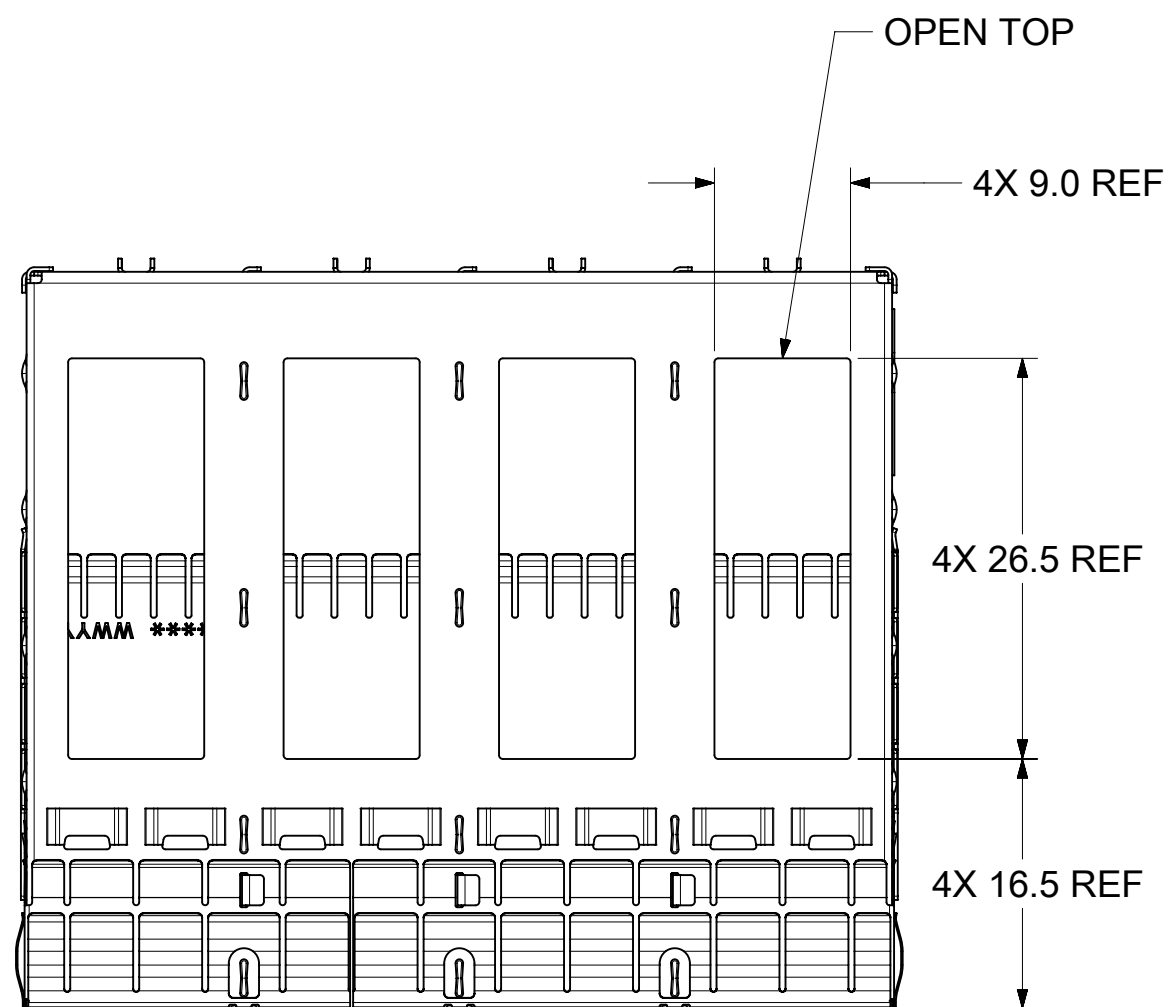
- MATERIAL:**  
CAGE: 0.25mm THICK COPPER ALLOY, NICKEL PLATED.  
SPRING FINGERS: STAINLESS STEEL.  
HEATSINK: ALUMINUM, NICKEL PLATED.  
HEATSINK SPRING CLIP: STAINLESS STEEL.
- PRESS FIT LEGS 3.05mm LONG:**
- PORTS ARE DESIGNED FOR SFP+ TRANSCEIVERS AND ARE COMPATIBLE WITH SFP TRANSCEIVERS.**  
THE TOP SURFACE OF THE MODULE MUST BE FLAT (NO PRODUCT LABEL RECESS)  
AND THERMALLY CONDUCTIVE TO FUNCTION OPTIMALLY.
- WELD SPOT MAY SHOW SLIGHT MATERIAL DISCOLORATION.**
- NO RoHS EXEMPTIONS.**
- CUSTOM HEATSINKS AVAILABLE UPON REQUEST.**

WEEK/YEAR DATE CODE TABLE	
WW	01 THRU 52 OR 53 EXAMPLE: 01 = FIRST WEEK OF YEAR 52 = LAST WEEK OF YEAR
YY	22, 23, 24,,, ETC. EXAMPLE: YEAR 2022 = 22

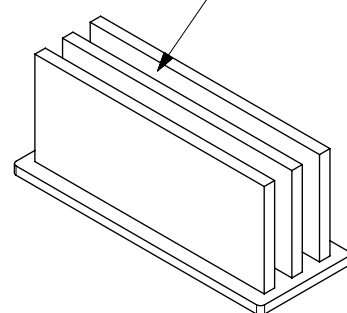
FUNCTIONAL SYMBOLS		THIS DRAWING CONTAINS INFORMATION THAT IS PROPRIETARY TO MOLEX ELECTRONIC TECHNOLOGIES, LLC AND SHOULD NOT BE USED WITHOUT WRITTEN PERMISSION		CURRENT REV DESC: SEE REVISION TABLE	
$\nabla_A = 0$	DIMENSION UNITS	SCALE			
	mm	2:1			
$\nabla_C = 0$	GENERAL TOLERANCES (UNLESS SPECIFIED)				
$\nabla_P = 0$	ANGULAR TOL ± 1.0°				
DIVISIONAL SYMBOLS	4 PLACES	±	EC NO: 707270		
	3 PLACES	±	DRWN: ABHILT2	2022/04/14	
	2 PLACES	± 0.15	CHK'D: TKUMARKC	2022/05/26	
	1 PLACE	± 0.25	APPR: SCHIEN	2022/06/01	
0 PLACES	±	INITIAL REVISION:			
DRAFT WHERE APPLICABLE MUST REMAIN WITHIN DIMENSIONS		THIRD ANGLE PROJECTION	DRAWING	SERIES	MATERIAL NUMBER
			C-SIZE	111112	SEE SHEET 3
				CUSTOMER	SHEET NUMBER
				111128421	1 OF 7
				PSD ASY A	

DOCUMENT STATUS	P1	RELEASE DATE	2022/06/01	06:40:57
-----------------	----	--------------	------------	----------

# CAGE ASSEMBLY OPTIONS

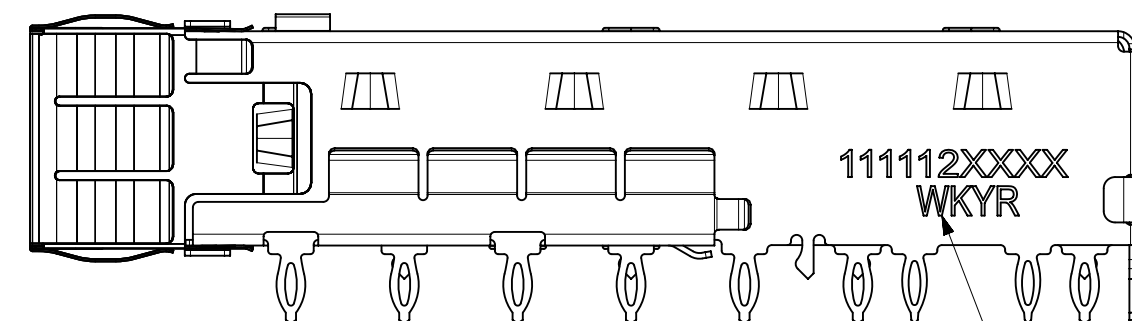


HEATSINK OPTIONS  
CUSTOM FIN

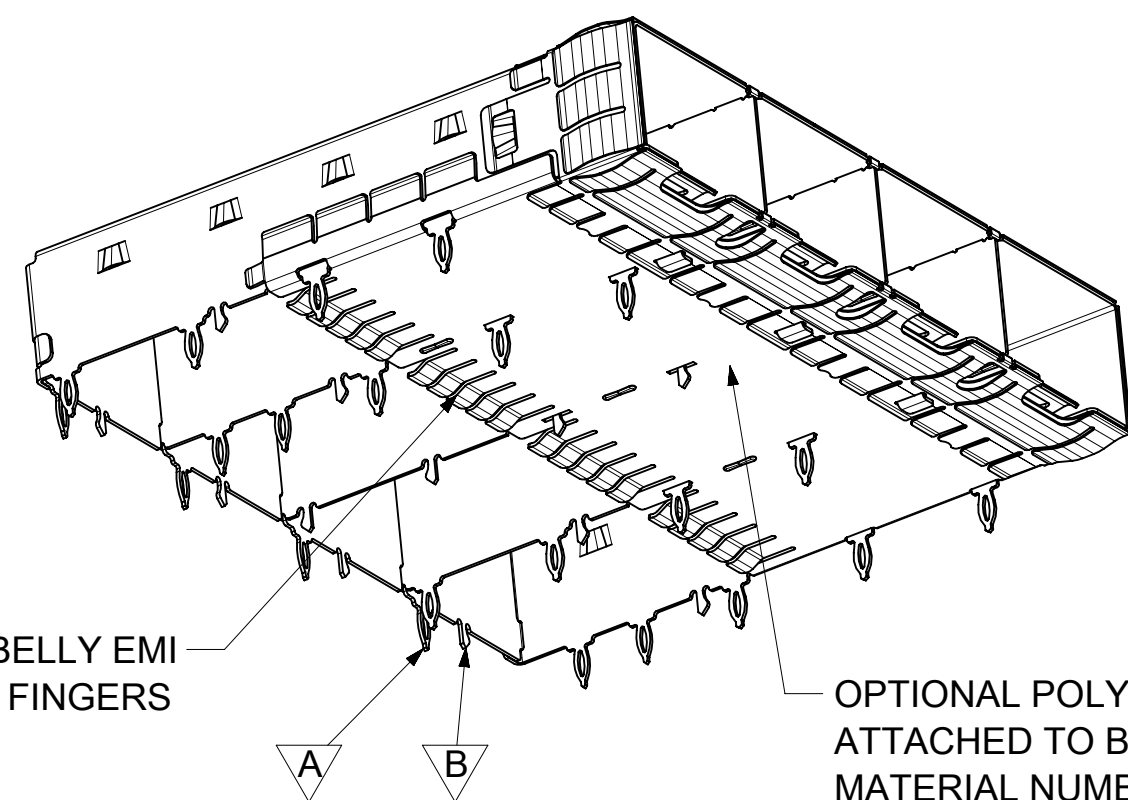
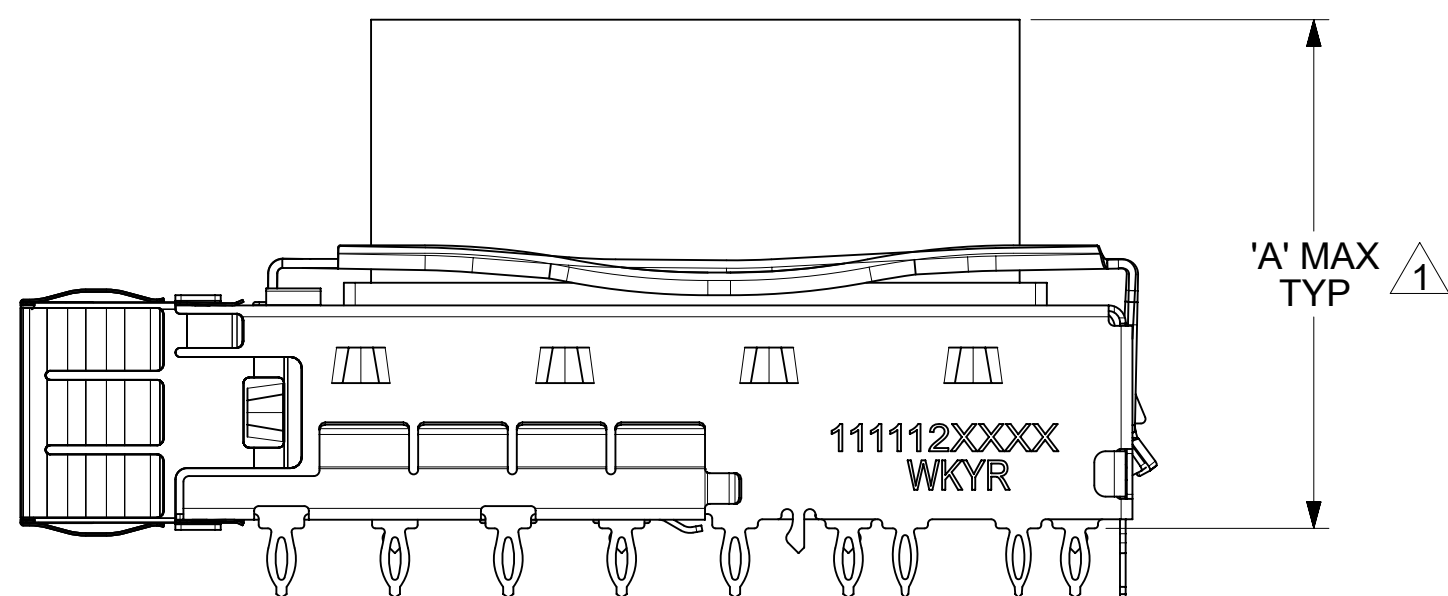


OVERALL HEATSINK HEIGHT

APPLICATION	DIM 'A'
CUSTOM	23.6



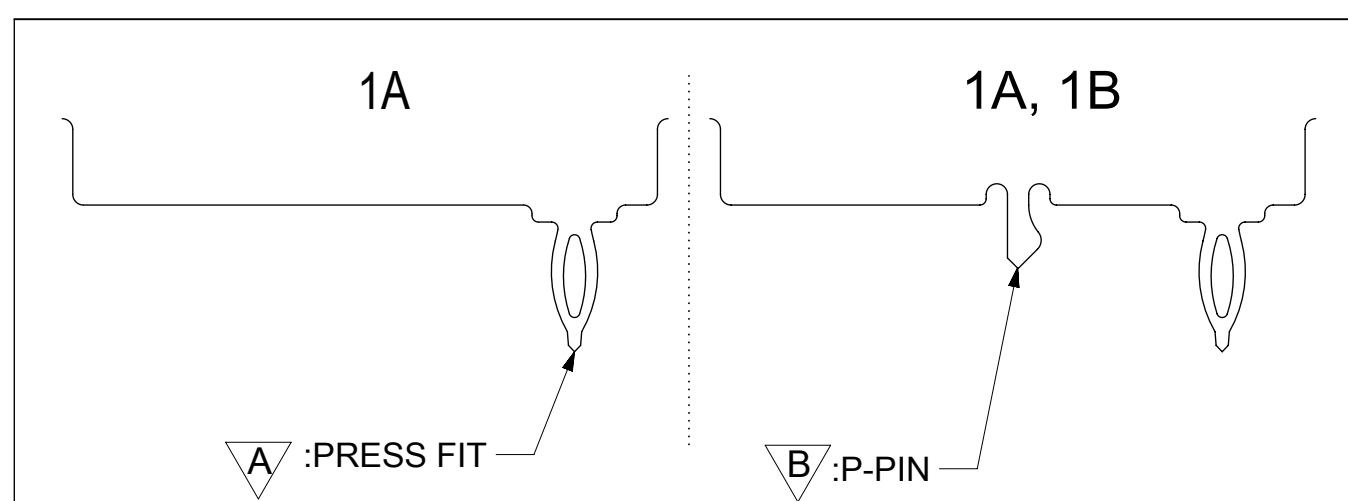
PART NO. AND WEEK/YEAR DATE CODE TO BE PRINTED ON THE SIDE OF COMPLETED CAGE ASSEMBLY APPROXIMATELY AS SHOWN FOR 11112 SERIES CAGE ASSEMBLIES.



NOTES:

- 1 HEIGHT OF HEATSINK WITH MODULE INSERTED. DIMENSION MAY BE LESS DUE TO MODULE AND HEATSINK VARIATIONS.

## REAR LEG OPTIONS (PER PORT)

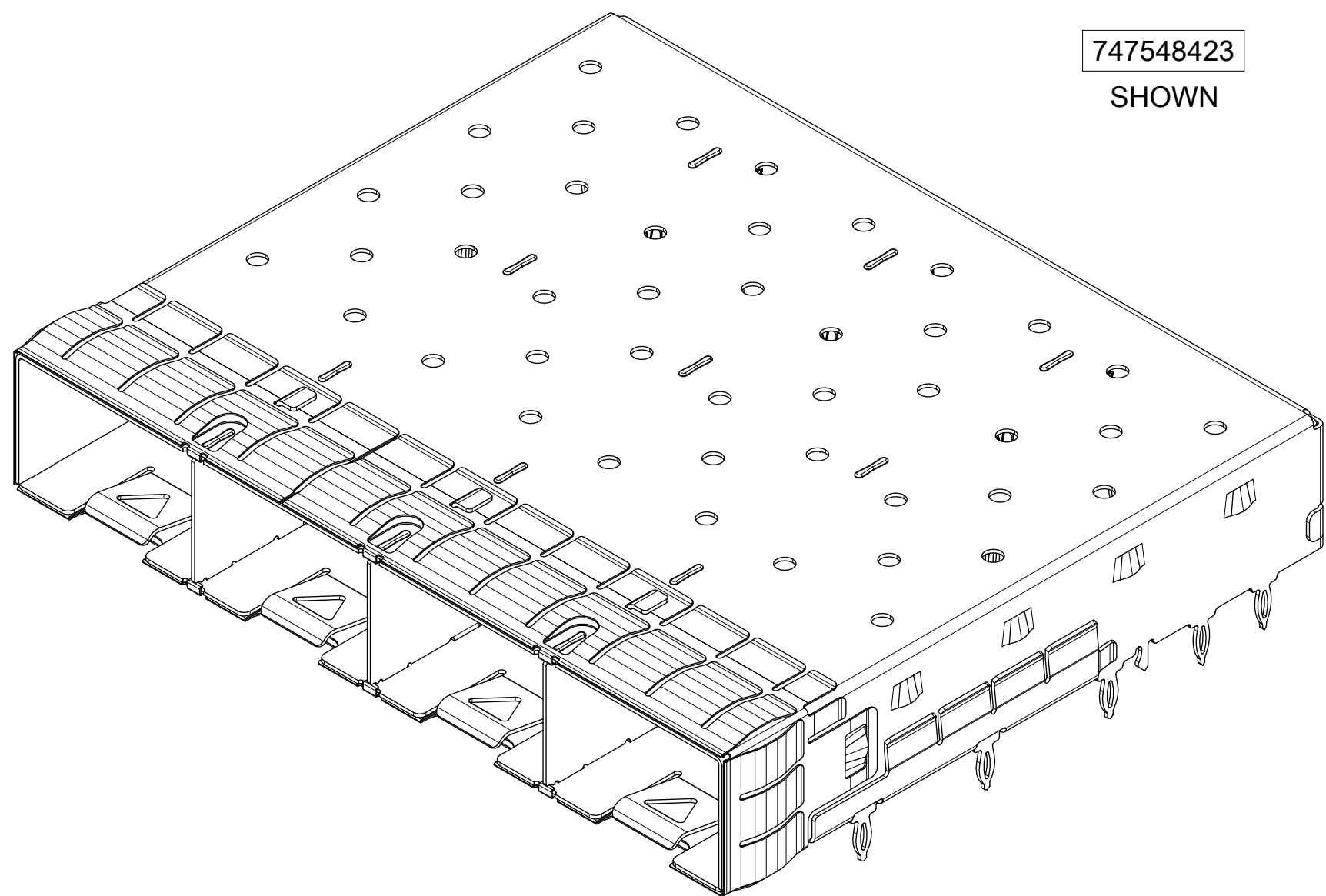


WEEK/YEAR DATE CODE TABLE	
WW	01 THRU 52 OR 53 EXAMPLE: 01 = FIRST WEEK OF YEAR 52 = LAST WEEK OF YEAR
YY	22, 23, 24, ETC. EXAMPLE: YEAR 2022 = 22

FUNCTIONAL SYMBOLS	THIS DRAWING CONTAINS INFORMATION THAT IS PROPRIETARY TO MOLEX ELECTRONIC TECHNOLOGIES, LLC AND SHOULD NOT BE USED WITHOUT WRITTEN PERMISSION		CURRENT REV DESC: SEE REVISION TABLE			
$\overline{A} = 0$	DIMENSION UNITS	SCALE	<p><b>molex</b></p> <p>SFP+ 1X4 SF CAGE ASSY'S PRESS FIT, HEAT SINKS, WITH SUS EMI SPRING FINGERS</p> <p>PRODUCT CUSTOMER DRAWING</p>			
$\overline{E} = 0$	mm	2:1				
$\overline{P} = 0$	GENERAL TOLERANCES (UNLESS SPECIFIED)					
DIVISIONAL SYMBOLS	ANGULAR TOL	± 1.0°	EC NO: 707270	2022/04/14		
	4 PLACES	±	DRWN: ABHILT2	2022/05/26		
	3 PLACES	±	CHK'D: TKUMARKC	2022/06/01		
	2 PLACES	± 0.15	APPR: SCHIEN			
	1 PLACE	± 0.25	INITIAL REVISION:			
	0 PLACES	±	DRWN: ABHILT2	2022/04/14		
			APPR: SCHIEN	2022/06/01		
DRAFT WHERE APPLICABLE MUST REMAIN WITHIN DIMENSIONS	THIRD ANGLE PROJECTION	DRAWING	SERIES	MATERIAL NUMBER	CUSTOMER	SHEET NUMBER
		C-SIZE	111112	SEE SHEET 3		2 OF 7

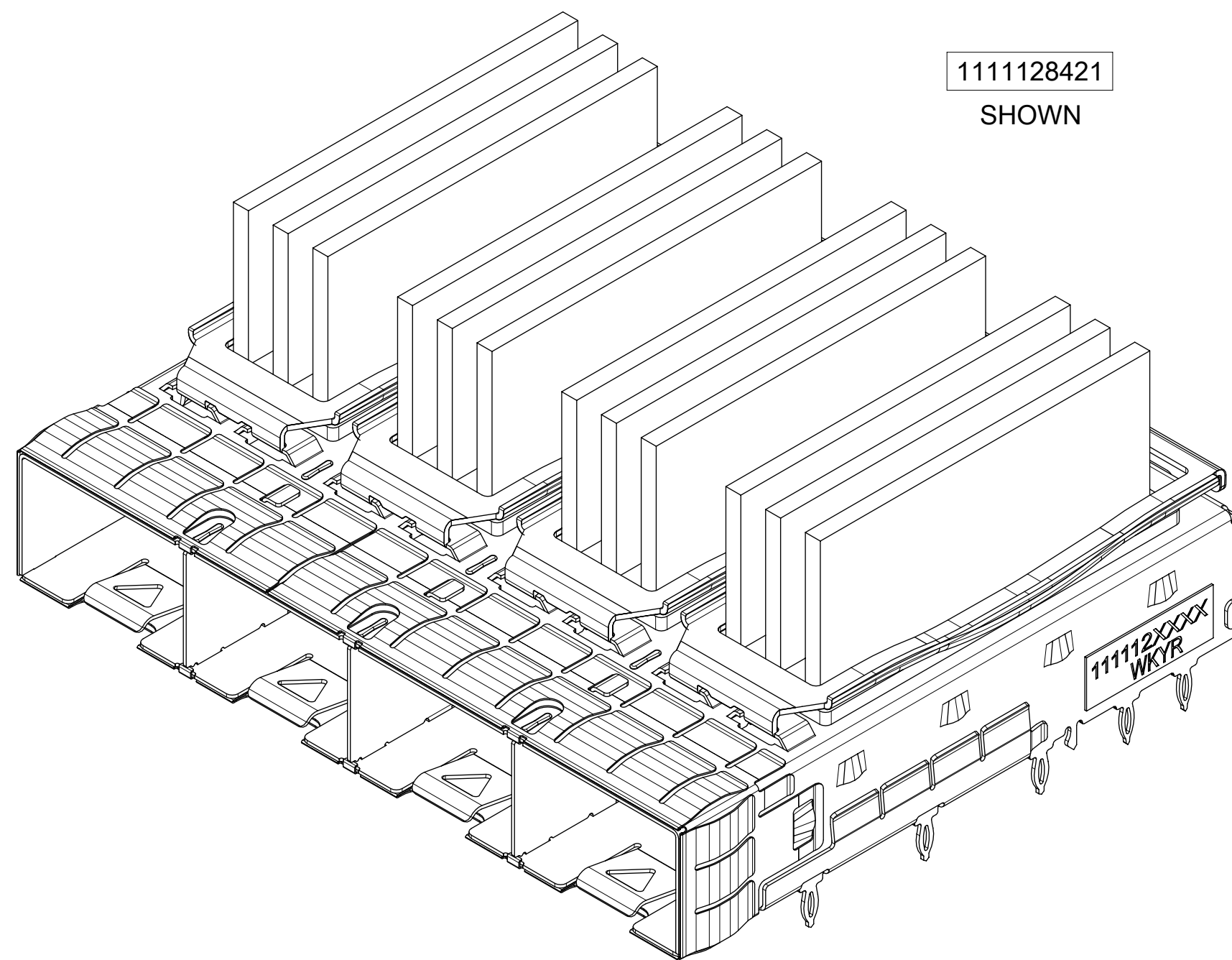
# PART NUMBER SELECTION

747548423  
SHOWN



SFP+ OPEN TOP BASE CAGE FOR HEATSINK				
PART NO.	POLYIMIDE INSULATOR	WELD POINT QUANTITY	# OF REAR LEGS PER PORT	PLATING
747548423	---	19	1A, 1B	----

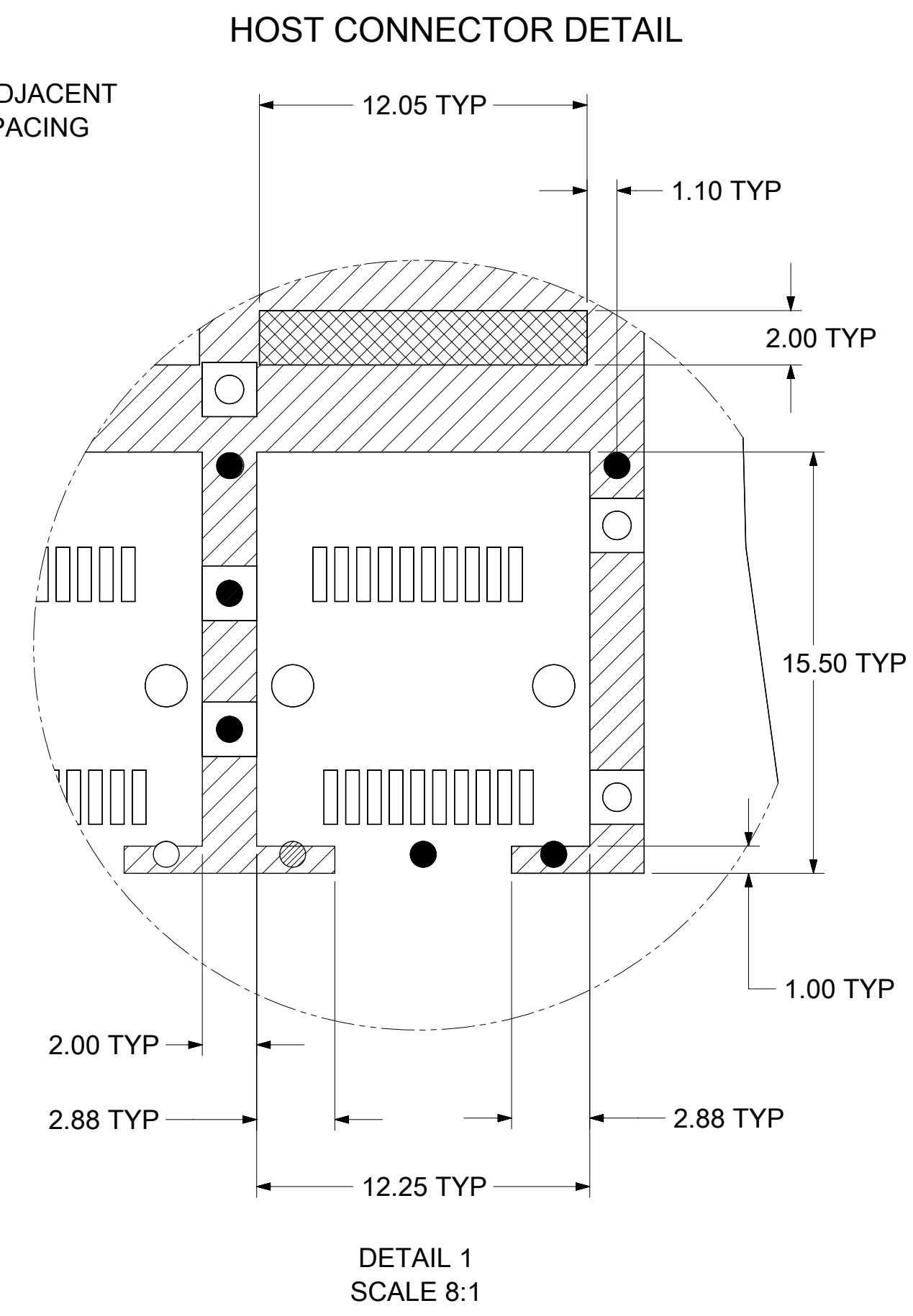
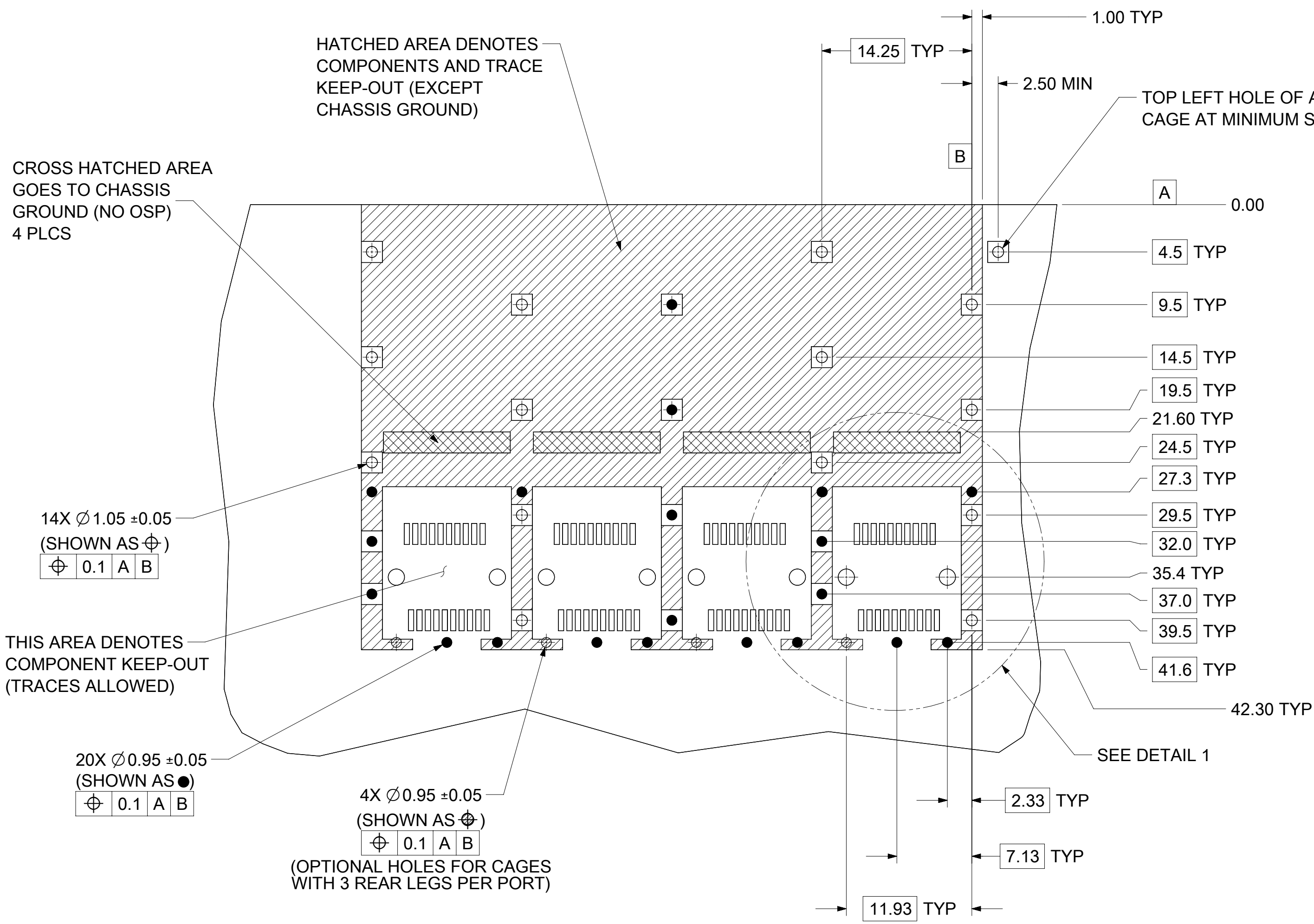
111128421  
SHOWN



SFP+ CUSTOM FIN HEATSINK OPTION			
PART NO.	POLYIMIDE INSULATOR	HEAT SINK	# OF REAR LEGS PER PORT
111128421	---	CUSTOM	1A, 1B

<b>FUNCTIONAL SYMBOLS</b> $\nabla_A = 0$ $\nabla_C = 0$ $\nabla_P = 0$ <b>DIVISIONAL SYMBOLS</b>	THIS DRAWING CONTAINS INFORMATION THAT IS PROPRIETARY TO MOLEX ELECTRONIC TECHNOLOGIES, LLC AND SHOULD NOT BE USED WITHOUT WRITTEN PERMISSION		CURRENT REV DESC: SEE REVISION TABLE		<p>SFP+ 1X4 SF CAGE ASSY'S PRESS FIT, HEAT SINKS, WITH SUS EMI SPRING FINGERS</p> <p>PRODUCT CUSTOMER DRAWING</p>	
	DIMENSION UNITS: <b>mm</b> SCALE: <b>4:3</b>	GENERAL TOLERANCES (UNLESS SPECIFIED)		EC NO: 707270 DRWN: ABHILT2 CHK'D: TKUMARKC APPR: SCHIEN		
	ANGULAR TOL $\pm 1.0^\circ$ 4 PLACES $\pm$ 3 PLACES $\pm$ 2 PLACES $\pm 0.15$ 1 PLACE $\pm 0.25$ 0 PLACES $\pm$	DRAFT WHERE APPLICABLE MUST REMAIN WITHIN DIMENSIONS		INITIAL REVISION: DRWN: ABHILT2 APPR: SCHIEN		
	THIRD ANGLE PROJECTION 		DRAWING SERIES: <b>C-SIZE 111112</b>			
DOCUMENT NUMBER: <b>111128421</b>		DOC TYPE: <b>PSD</b> DOC PART: <b>ASY</b> REVISION: <b>A</b>		MATERIAL NUMBER: <b>SEE SHEET 3</b> CUSTOMER: SHEET NUMBER: <b>3 OF 7</b>		

# PCB LAYOUT FOR SINGLE SIDE MOUNT

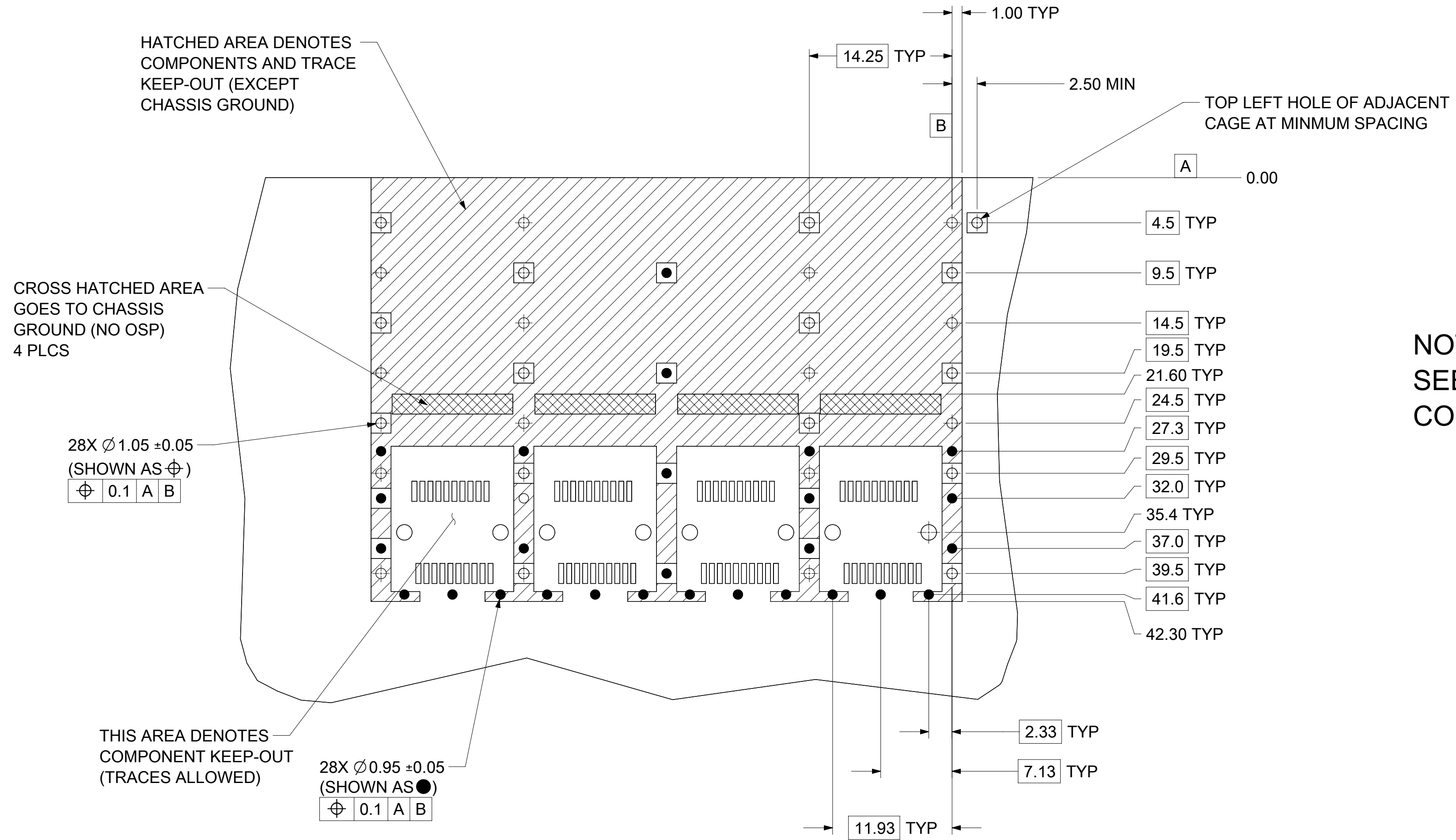


- NOTES:
- PADS AND VIAS CONNECT TO CHASSIS GROUND (RECOMMENDED PADS TO BE 2.00mm SQUARE)
  - RECOMMENDED THRU HOLE PLATING INCLUDES HASL, OSP, OR IMMERSION (GOLD, SILVER, OR TIN)
  - CONNECTOR PAD LAYOUT PER SFP+ MSA WILL ACCOMMODATE MOLEX CONNECTOR SERIES 74441 OR EQUIVALENT
  - HOLE PATTERN REPEATS FOR EACH PORT, SPACING BETWEEN PORTS IS 14.25mm
  - MINIMUM PCB THICKNESS FOR SINGLE SIDED USE 1.57mm.

FUNCTIONAL SYMBOLS	THIS DRAWING CONTAINS INFORMATION THAT IS PROPRIETARY TO MOLEX ELECTRONIC TECHNOLOGIES, LLC AND SHOULD NOT BE USED WITHOUT WRITTEN PERMISSION		CURRENT REV DESC: SEE REVISION TABLE				
	DIMENSION UNITS	SCALE	EC NO: 707270				
$\overline{A} = 0$	mm	3:1	DRWN: ABHILT2		2022/04/14		
$\overline{C} = 0$	GENERAL TOLERANCES (UNLESS SPECIFIED)		CHK'D: TKUMARKC		2022/05/26		
$\overline{P} = 0$	ANGULAR TOL ± 1.0°		APPR: SCHIEN		2022/06/01		
DIVISIONAL SYMBOLS	4 PLACES ±		INITIAL REVISION:		DOCUMENT NUMBER		
	3 PLACES ±		DRWN: ABHILT2		1111128421		
	2 PLACES ± 0.15		APPR: SCHIEN		PSD ASY A		
	1 PLACE ± 0.25		2022/04/14		MATERIAL NUMBER		
	0 PLACES ±		2022/06/01		SEE SHEET 3		
DRAFT WHERE APPLICABLE MUST REMAIN WITHIN DIMENSIONS		THIRD ANGLE PROJECTION	DRAWING	SERIES	CUSTOMER	SHEET NUMBER	
			C-SIZE	111112		4 OF 7	

DOCUMENT STATUS	P1	RELEASE DATE	2022/06/01	06:40:57
-----------------	----	--------------	------------	----------

# PCB LAYOUT FOR BELLY TO BELLY MOUNTING



**NOTE:**  
SEE SHEET 4 FOR HOST  
CONNECTOR DETAIL

- NOTES:**
1. PADS AND VIAS CONNECT TO CHASSIS GROUND (RECOMMENDED PADS TO BE 2.00mm SQUARE)
  2. RECOMMENDED THRU HOLE PLATING INCLUDES HASL, OSP, OR IMMERSION (GOLD, SILVER, OR TIN)
  3. CONNECTOR PAD LAYOUT PER SFP+ MSA WILL ACCOMMODATE MOLEX CONNECTOR SERIES 74441 OR EQUIVALENT
  4. HOLE PATTERN REPEATS FOR EACH PORT, SPACING BETWEEN PORTS IS 14.25mm
  5. MINIMUM PCB THICKNESS FOR BELLY TO BELLY USE 3.00mm.

FUNCTIONAL SYMBOLS	THIS DRAWING CONTAINS INFORMATION THAT IS PROPRIETARY TO MOLEX ELECTRONIC TECHNOLOGIES, LLC AND SHOULD NOT BE USED WITHOUT WRITTEN PERMISSION		CURRENT REV DESC: SEE REVISION TABLE	
	DIMENSION UNITS	SCALE		
$\frac{F}{A} = 0$	mm	3:1		
$\frac{F}{C} = 0$	GENERAL TOLERANCES (UNLESS SPECIFIED)			
	ANGULAR TOL $\pm 1.0^\circ$			
$\frac{F}{P} = 0$	4 PLACES	$\pm$		
	3 PLACES	$\pm$		
DIVISIONAL SYMBOLS	2 PLACES	$\pm 0.15$		
	1 PLACE	$\pm 0.25$		
	0 PLACES	$\pm$		
DRAFT WHERE APPLICABLE MUST REMAIN WITHIN DIMENSIONS	THIRD ANGLE PROJECTION	DRAWING	SERIES	MATERIAL NUMBER
		C-SIZE	111112	SEE SHEET 3
		CUSTOMER	SHEET NUMBER	
			5 OF 7	

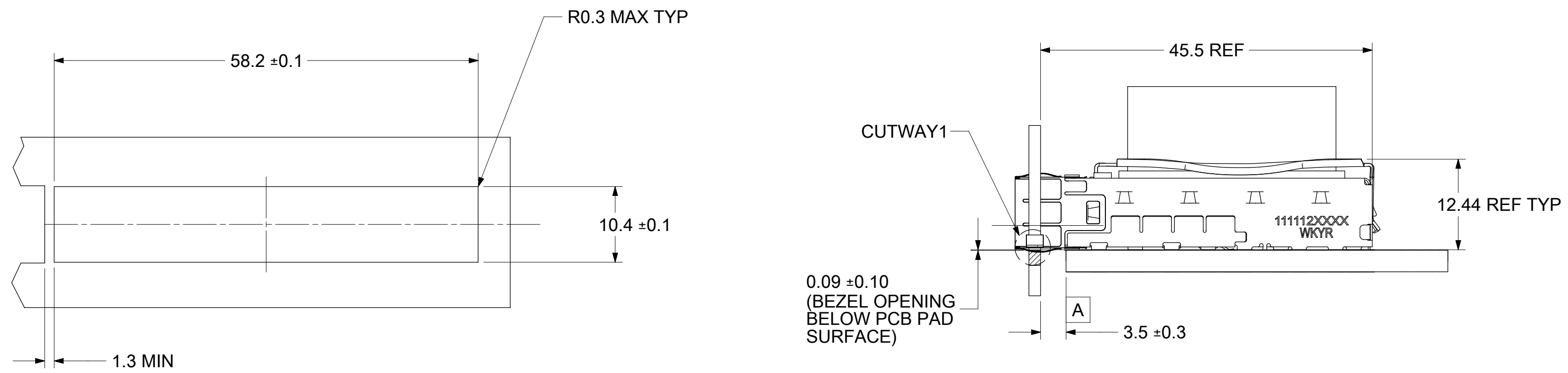
**molex**

SFP+ 1X4 SF CAGE ASSY'S  
PRESS FIT, HEAT SINKS, WITH SUS EMI SPRING FINGERS

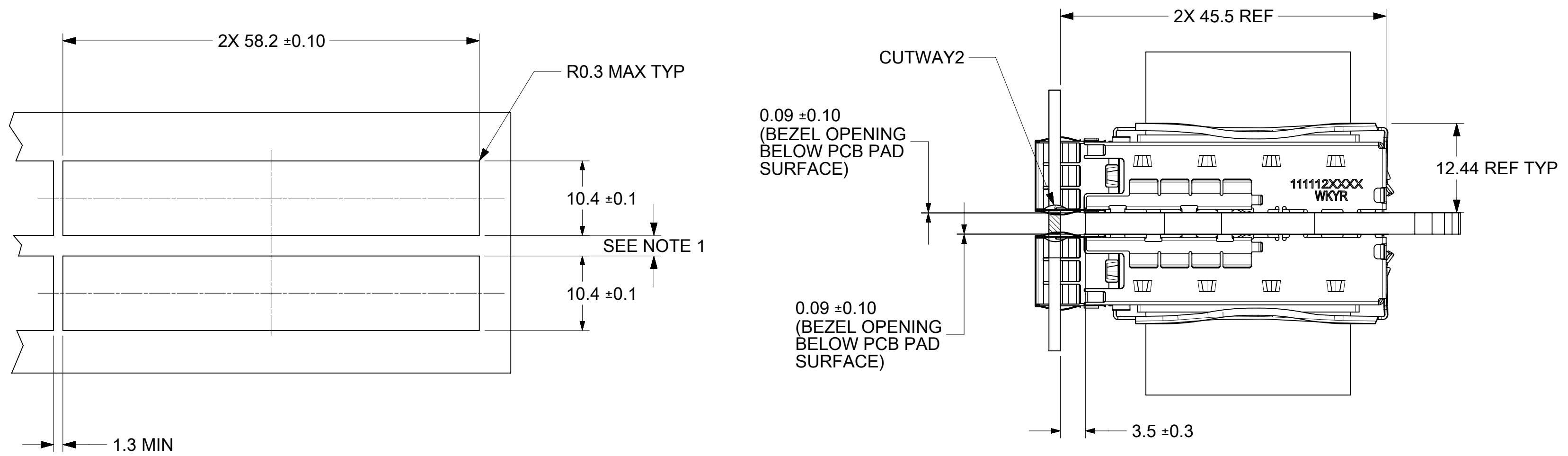
PRODUCT CUSTOMER DRAWING

DOCUMENT NUMBER: 111128421  
DOC TYPE: PSD  
DOC PART: ASY  
REVISION: A

# BEZEL AND BOARD POSITION DIMENSIONS FOR SINGLE SIDE MOUNTING (SPRING FINGER)



# BEZEL AND BOARD POSITION DIMENSIONS FOR BELLY TO BELLY MOUNTING (SPRING FINGER)



**NOTE:**  
 1. PCB THICKNESS VARIATION MUST BE CONSIDERED WHEN DETERMINING BEZEL OPENING LOCATION.  
 2. CAGE LEG STANDOFF WILL PIERCE BELLY GASKET WHEN PROPERLY PRESSED INTO PCB.

<b>FUNCTIONAL SYMBOLS</b>	THIS DRAWING CONTAINS INFORMATION THAT IS PROPRIETARY TO MOLEX ELECTRONIC TECHNOLOGIES, LLC AND SHOULD NOT BE USED WITHOUT WRITTEN PERMISSION											
$\frac{F}{A} = 0$	DIMENSION UNITS	SCALE	CURRENT REV DESC: SEE REVISION TABLE									
$\frac{F}{C} = 0$	mm	2:1	<b>SFP+ 1X4 SF CAGE ASSY'S PRESS FIT, HEAT SINKS, WITH SUS EMI SPRING FINGERS</b>									
$\frac{F}{P} = 0$	GENERAL TOLERANCES (UNLESS SPECIFIED)											
	ANGULAR TOL ± 1.0°		EC NO: 707270		2022/04/14		DOCUMENT NUMBER			DOC TYPE	DOC PART	REVISION
	4 PLACES ±		DRWN: ABHILT2		2022/05/26		1111128421			PSD	ASY	A
	3 PLACES ±		CHK'D: TKUMARKC		2022/06/01		PRODUCT CUSTOMER DRAWING					
	2 PLACES ± 0.15		APPR: SCHIEN				MATERIAL NUMBER			CUSTOMER		
	1 PLACE ± 0.25		INITIAL REVISION:				SEE SHEET 3					
	0 PLACES ±		DRWN: ABHILT2		2022/06/01		SERIES			SHEET NUMBER		
	DRAFT WHERE APPLICABLE MUST REMAIN WITHIN DIMENSIONS		THIRD ANGLE PROJECTION		DRAWING		C-SIZE		111112		6 OF 7	

H

G

F

E


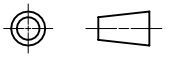
D

C

B

A

REV	DATE	DESCRIPTION
A	202/05/25	INITIAL RELEASE

<b>FUNCTIONAL SYMBOLS</b> $\nabla_A = 0$ $\nabla_C = 0$ $\nabla_P = 0$	THIS DRAWING CONTAINS INFORMATION THAT IS PROPRIETARY TO MOLEX ELECTRONIC TECHNOLOGIES, LLC AND SHOULD NOT BE USED WITHOUT WRITTEN PERMISSION					
	DIMENSION UNITS	SCALE	CURRENT REV DESC: SEE REVISION TABLE			
	mm	1:1				
	GENERAL TOLERANCES (UNLESS SPECIFIED)					
<b>DIVISIONAL SYMBOLS</b> 4 PLACES ± 3 PLACES ± 2 PLACES ± 0.15 1 PLACE ± 0.25 0 PLACES ±	ANGULAR TOL ± 1.0°	EC NO: 707270	 SFP+ 1X4 SF CAGE ASSY'S PRESS FIT, HEAT SINKS, WITH SUS EMI SPRING FINGERS PRODUCT CUSTOMER DRAWING			
	4 PLACES ±	DRWN: ABHILT2 2022/04/14				
	3 PLACES ±	CHK'D: TKUMARKC 2022/05/26				
	2 PLACES ± 0.15	APPR: SCHIEN 2022/06/01				
1 PLACE ± 0.25	INITIAL REVISION:	DOCUMENT NUMBER	DOC TYPE	DOC PART	REVISION	
0 PLACES ±	DRWN: ABHILT2 2022/04/14	1111128421	PSD	ASY	A	
	APPR: SCHIEN 2022/06/01					
DRAFT WHERE APPLICABLE MUST REMAIN WITHIN DIMENSIONS	THIRD ANGLE PROJECTION	DRAWING	SERIES	MATERIAL NUMBER	CUSTOMER	SHEET NUMBER
		C-SIZE	111112	SEE SHEET 3		7 OF 7