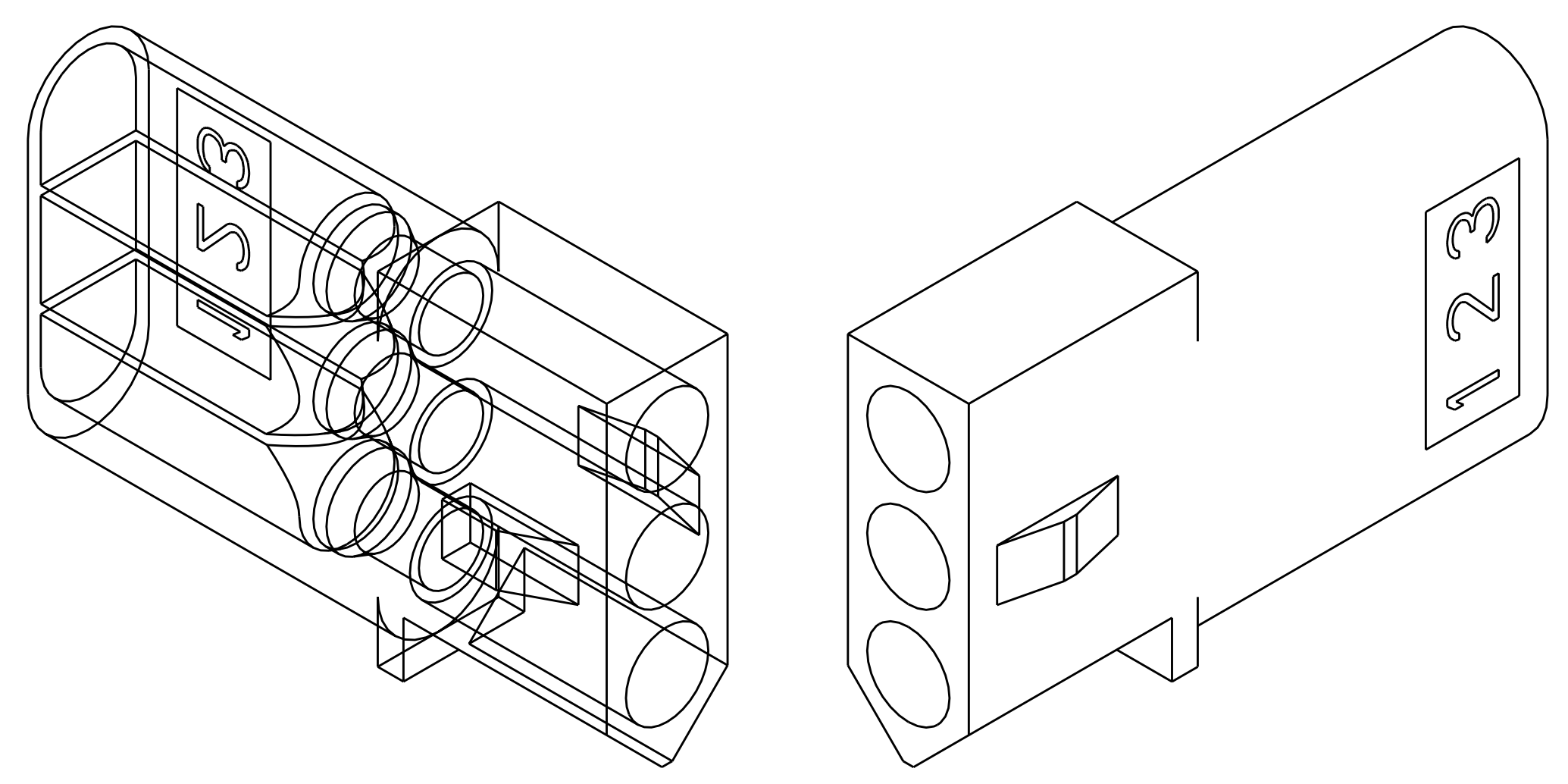
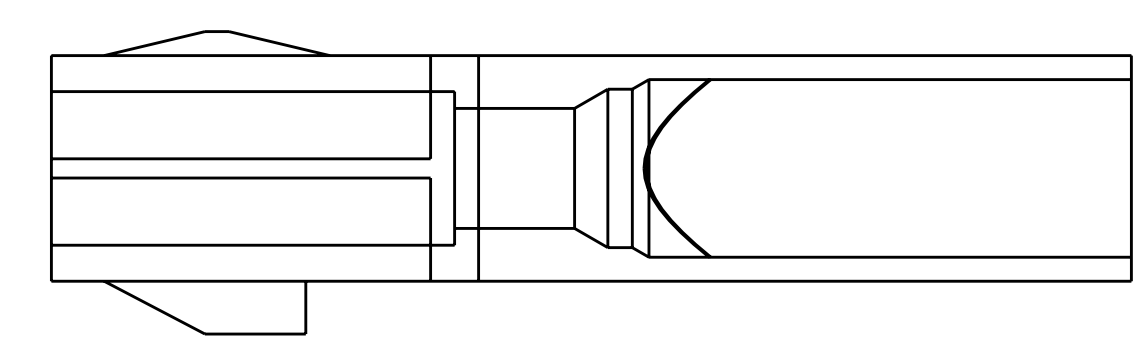
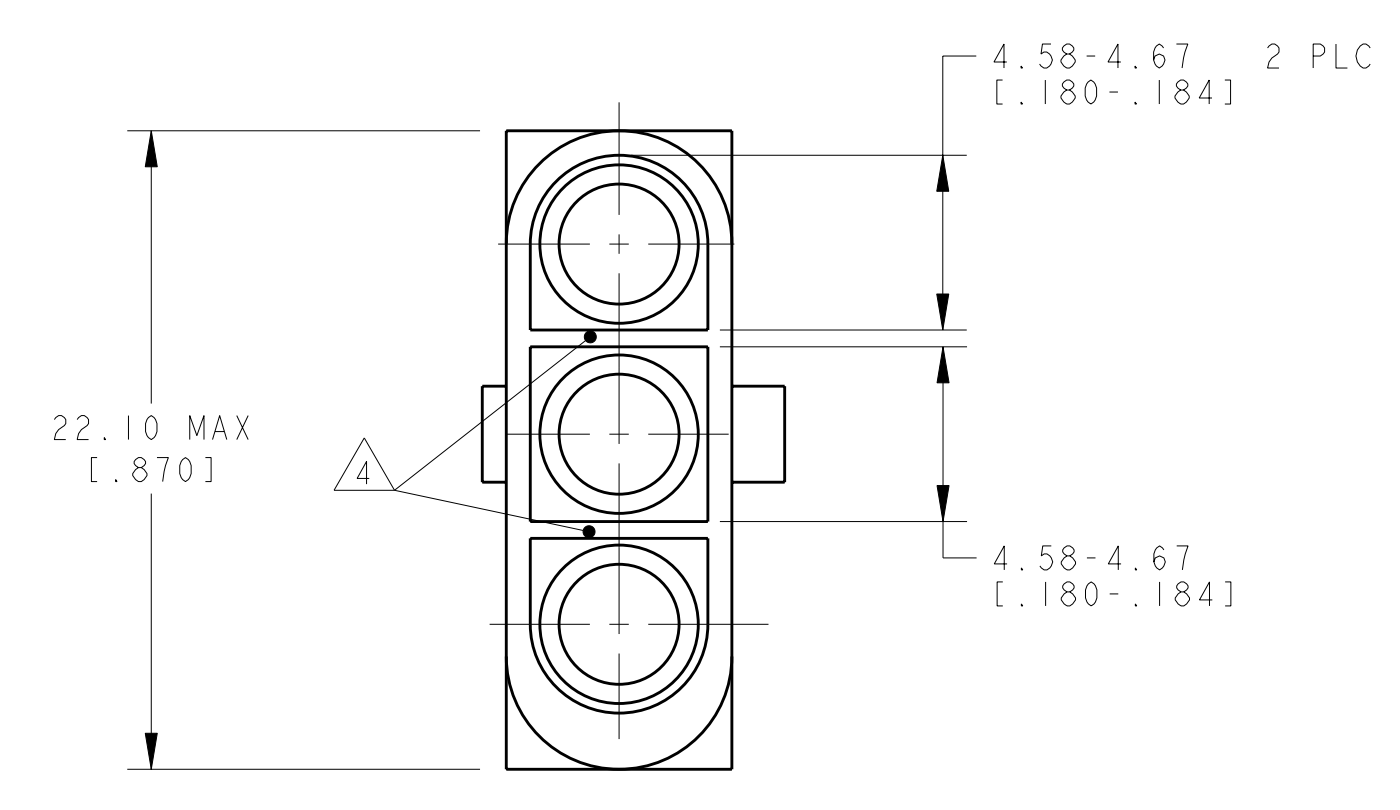
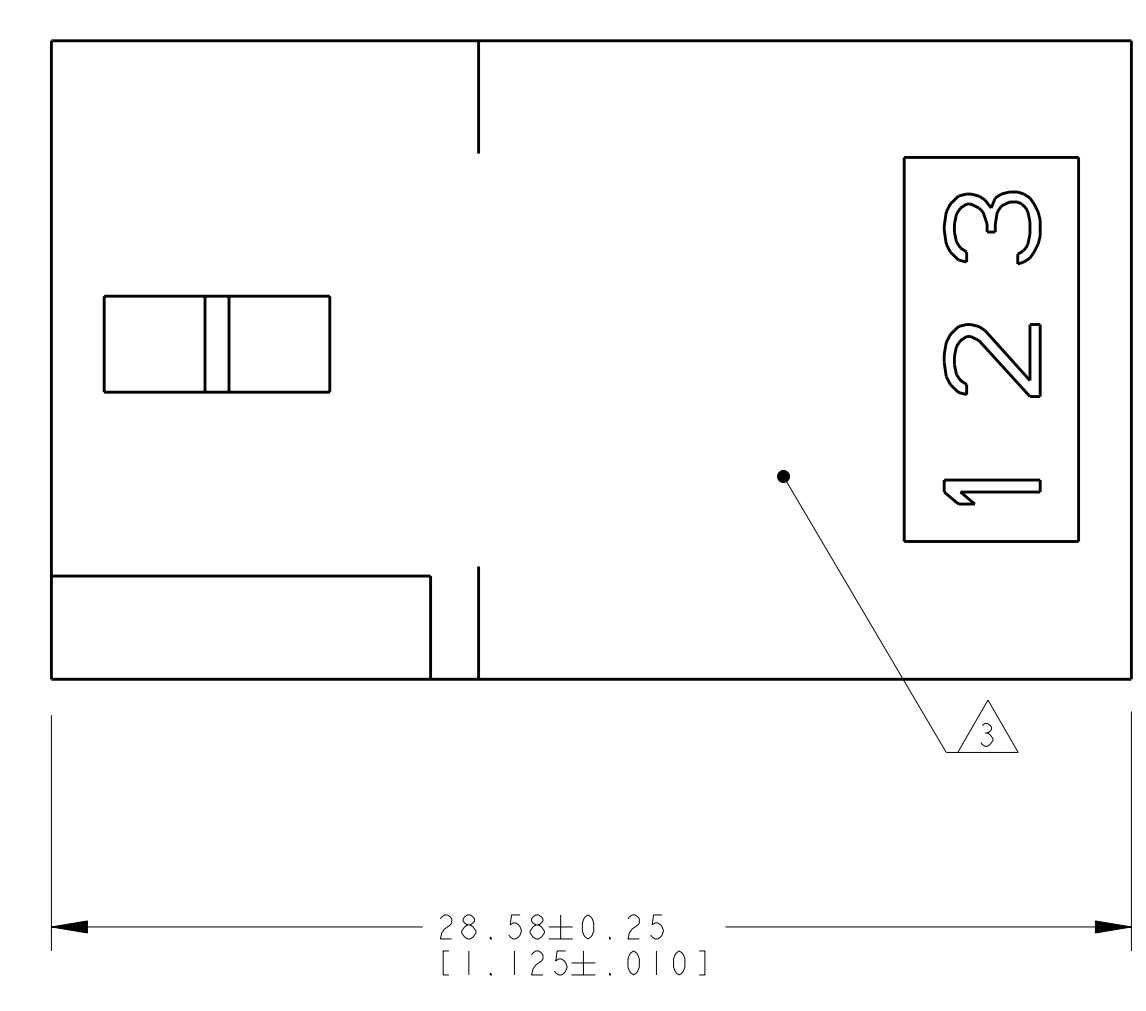
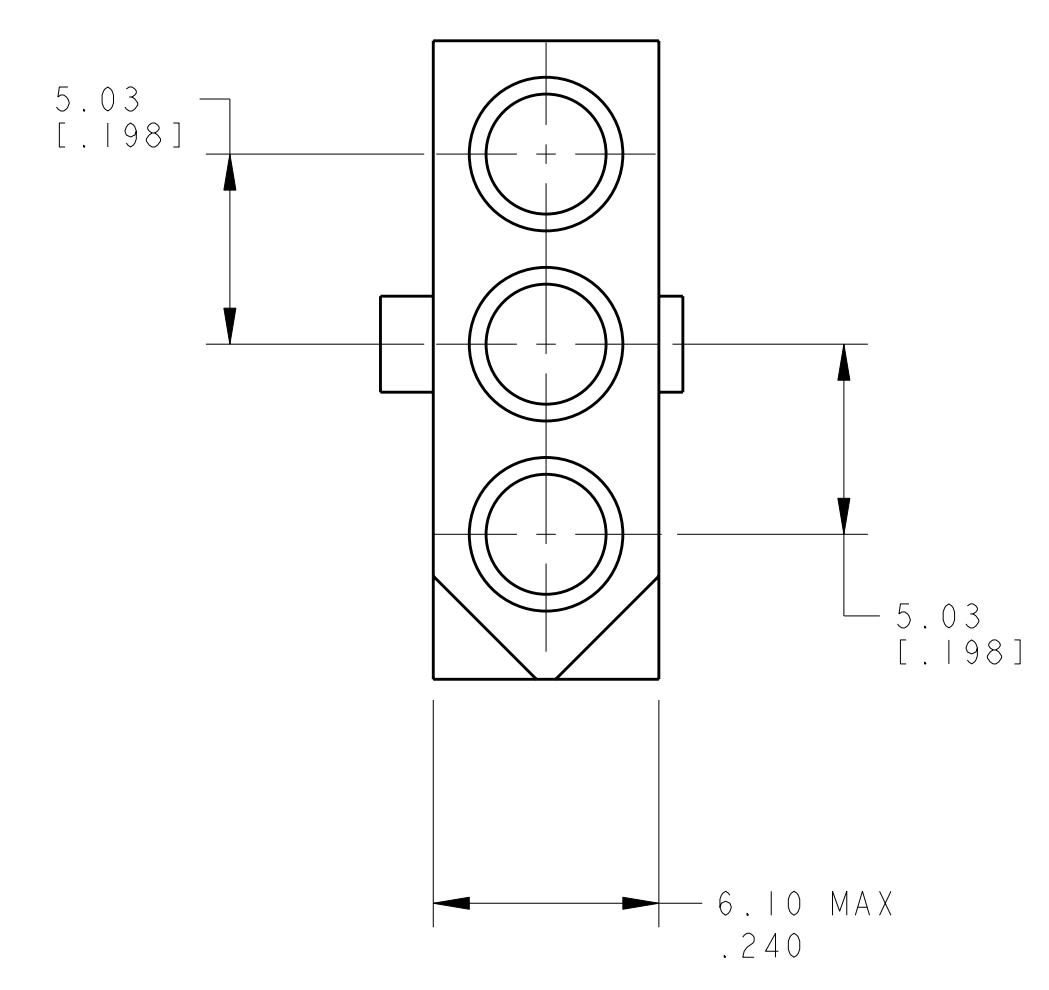


LOC	DIST	REVISIONS					
CM	00	P	LTB	DESCRIPTION	DATE	DWN	APVD
		K		REVISED PER 0638-0540-04	04AUG04	KW	DC
		K1		REVISED PER ECO-06-008661	19JUL06	KW	DC

- 1 MATERIAL: NYLON, UL94V-2 (NATURAL).
- 2 MARKING FOR UL AND CSA LOGO SHALL BE LOCATED ON ANY EXTERNAL SURFACE.
- 3 AMP LOGO AND CIRCUIT NUMBERS LOCATED IN AREA, EITHER SIDE, SIZE OPTIONAL, FROST BACKGROUND.
- 4 WALL THICKNESS TO MEASURE 0.36-0.46 [.014-.018]



METRIC

770264-1
PART NUMBER

<small>THIS DRAWING IS UNPUBLISHED. RELEASED FOR PUBLICATION BY TYCO ELECTRONICS CORPORATION. ALL RIGHTS RESERVED. THIS DRAWING IS THE PROPERTY OF TYCO ELECTRONICS CORPORATION. IT IS LOANED TO YOU BY TYCO ELECTRONICS CORPORATION. IT IS NOT TO BE REPRODUCED OR TRANSMITTED IN ANY FORM OR BY ANY MEANS, ELECTRONIC OR MECHANICAL, INCLUDING PHOTOCOPYING, RECORDING, OR BY ANY INFORMATION STORAGE AND RETRIEVAL SYSTEM, WITHOUT THE WRITTEN PERMISSION OF TYCO ELECTRONICS CORPORATION. SHOULD YOU CONTACT US FOR THE LATEST REVISION.</small>		DWN: K. WHITAKER 04AUG2004 CHK: D. COLEY 04AUG2004 APVD: D. COLEY 04AUG2004	tyco Electronics Tyco Electronics Harrisburg, PA 17105-3608
DIMENSIONS: mm [INCHES]	TOLERANCES UNLESS OTHERWISE SPECIFIED: 0 PLC ± 1 PLC ± 2 PLC ±0.13 (1.005) 3 PLC ± 4 PLC ± ANGLES ±0°30'	NAME: RECEPTACLE, 3 CIRCUIT, POSITIVE LOCK, .093 COMMERCIAL PIN AND SOCKET PRODUCT SPEC: APPLICATION SPEC: SIZE: A1100779 CAGE CODE: C=770264 DRAWING NO:	RESTRICTED TO: SCALE: 5:1 SHEET: 1 OF 1 REV: K1
MATERIAL: NYLON FINISH:		WEIGHT: CUSTOMER DRAWING	