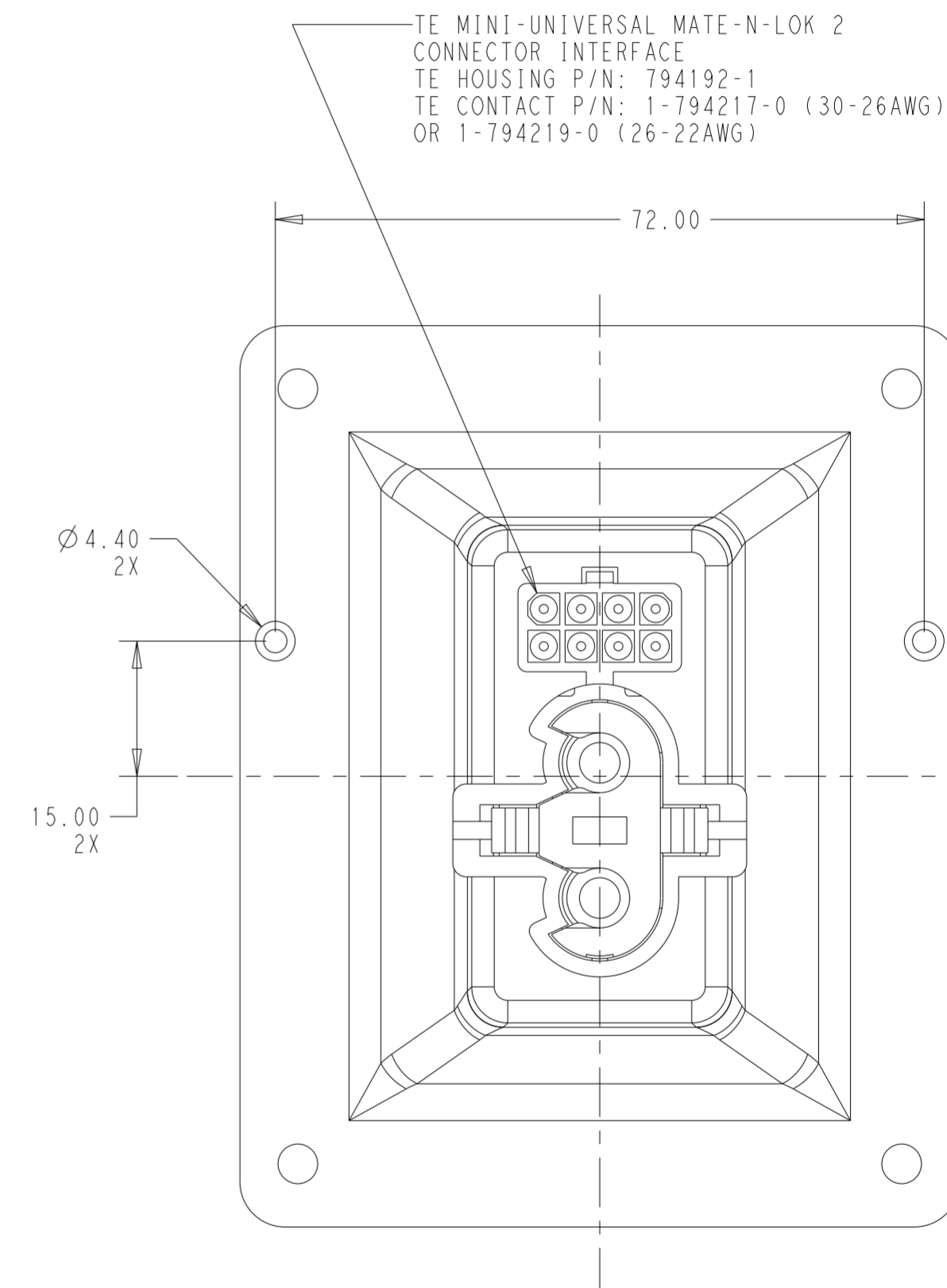
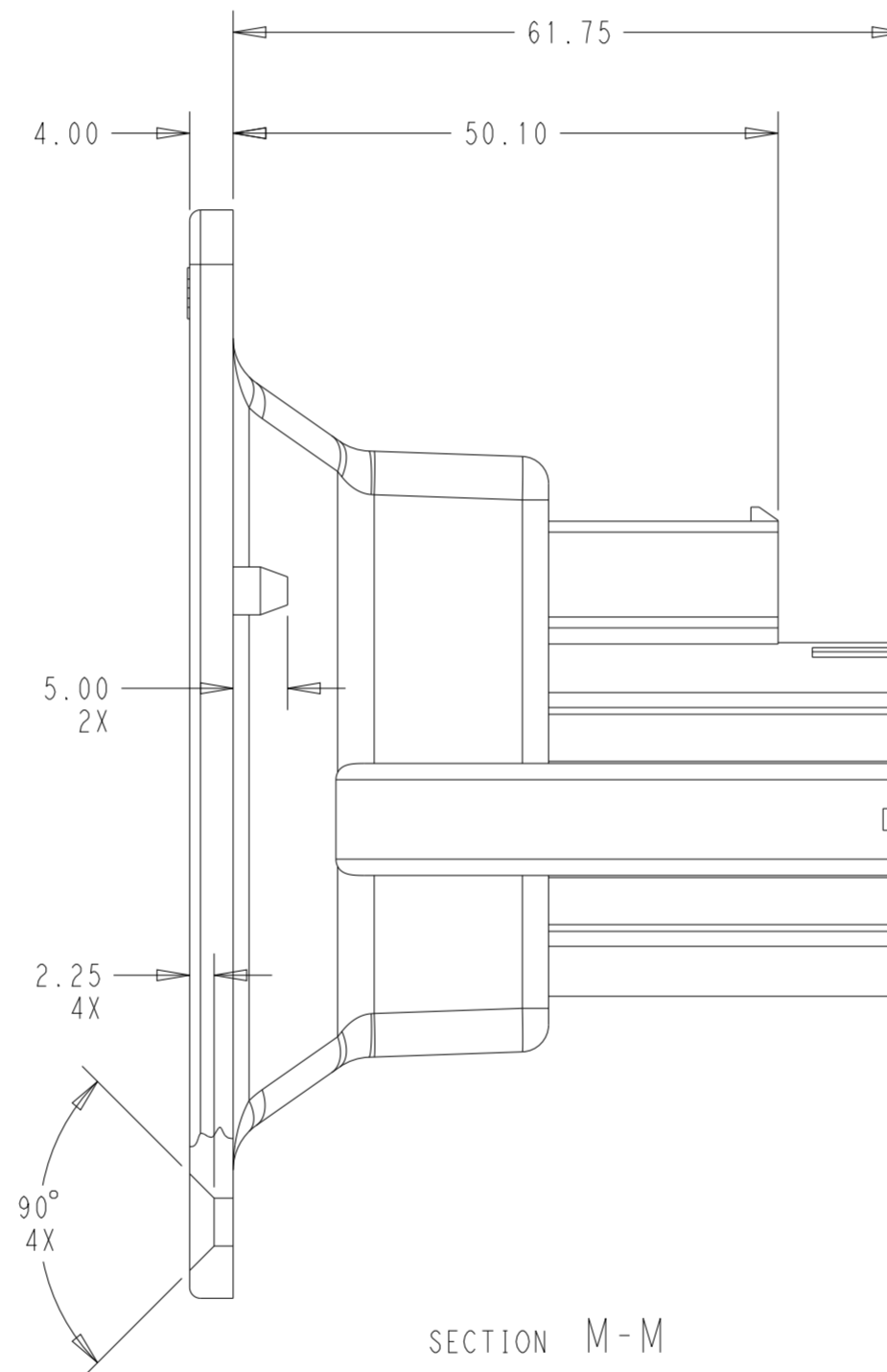
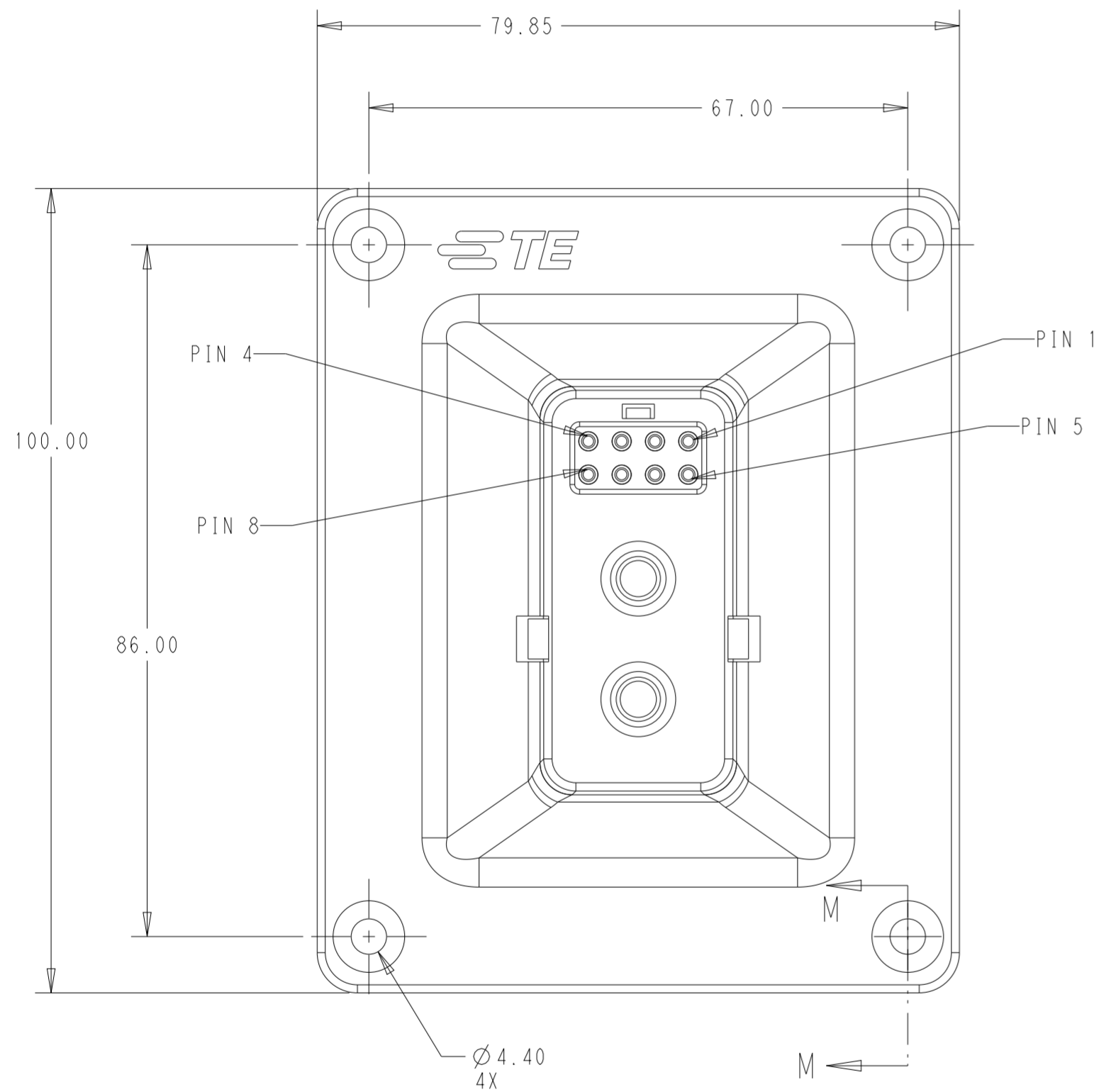


- 1 MATERIALS AND FINISH:
 -HOUSING: PBT; FLAMMABILITY: UL94 V-0, COLOR: BLACK
 -SIGNAL CONTACTS: COPPER ALLOY, FINISH: Au OVER Ni
- 2. ALL MATERIALS MUST COMPLY WITH DIRECTIVE 2011/65/EU AND ITS AMENDMENTS (ROHS)
- 3. ALL MATERIALS MUST COMPLY WITH REGULATION (EC) NO 1907/2006 (REACH)
- 4. THIS PRODUCT HAS NOT COMPLETED VALIDATION TESTING
- 5 MATES WITH CHARGER KIT ASSEMBLY, P/N: 2399992-1
- 6. POWER RECEPTACLE CONTACT (PURCHASED SEPARATELY) P/N: 2390328-1 REF

REVISIONS					
P	LTR	DESCRIPTION	DATE	DWN	APVD
	A	INITIAL RELEASE	07SEP2022	SD	CD

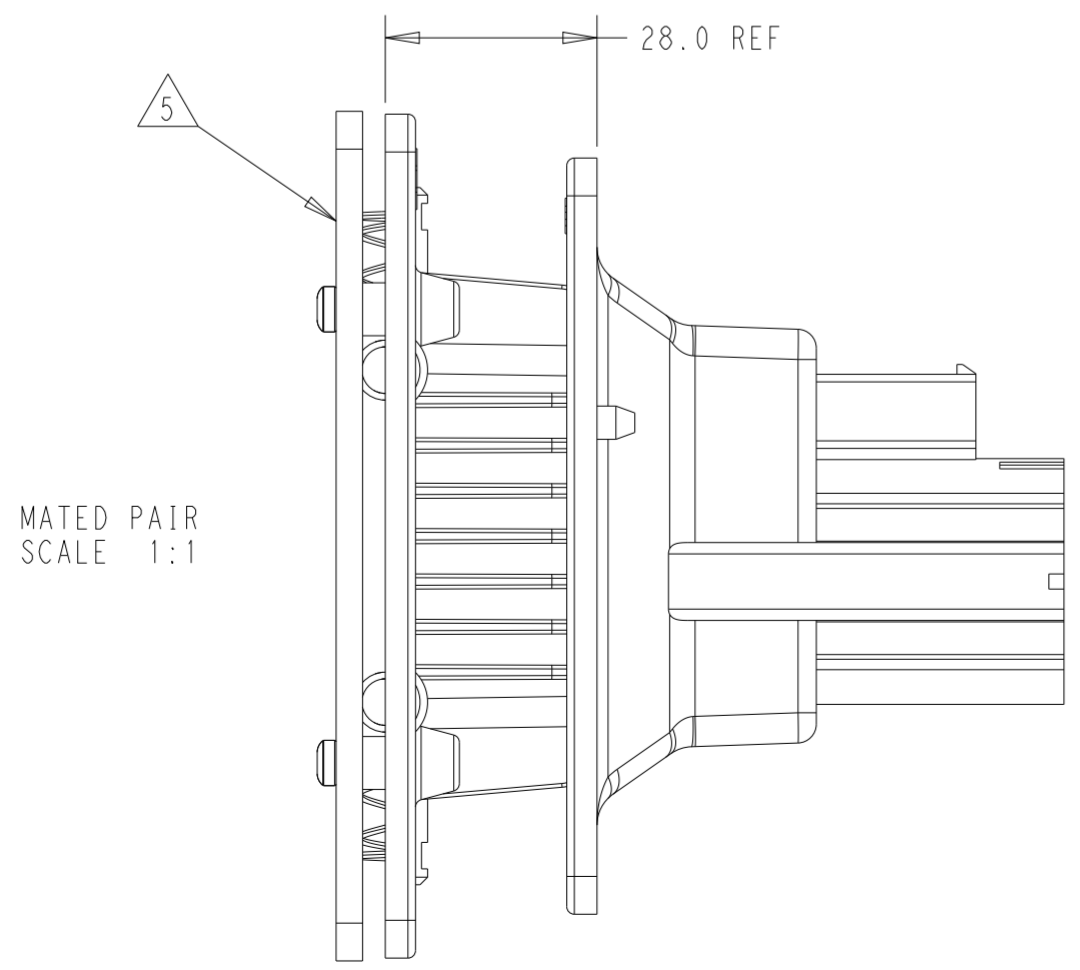
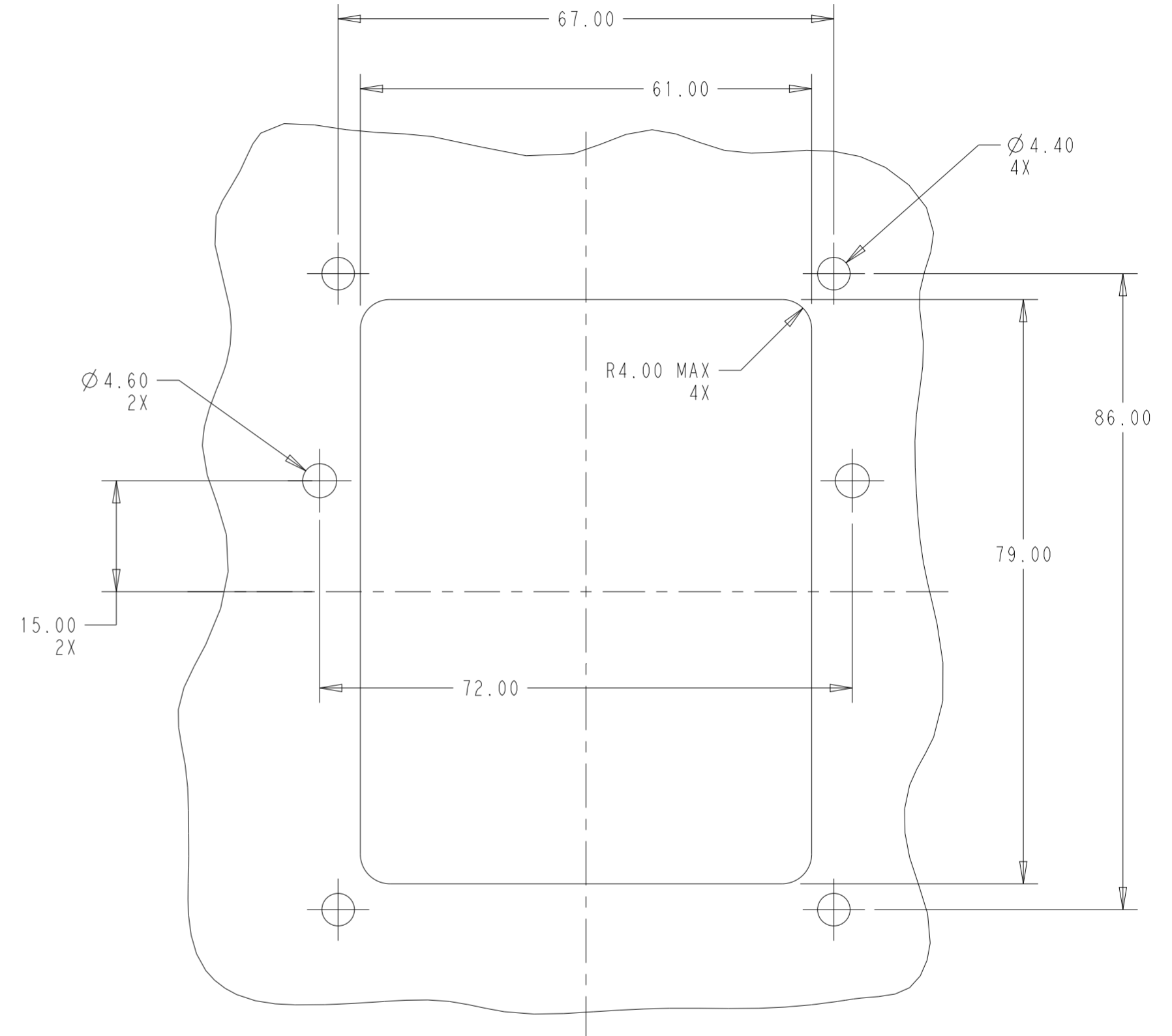
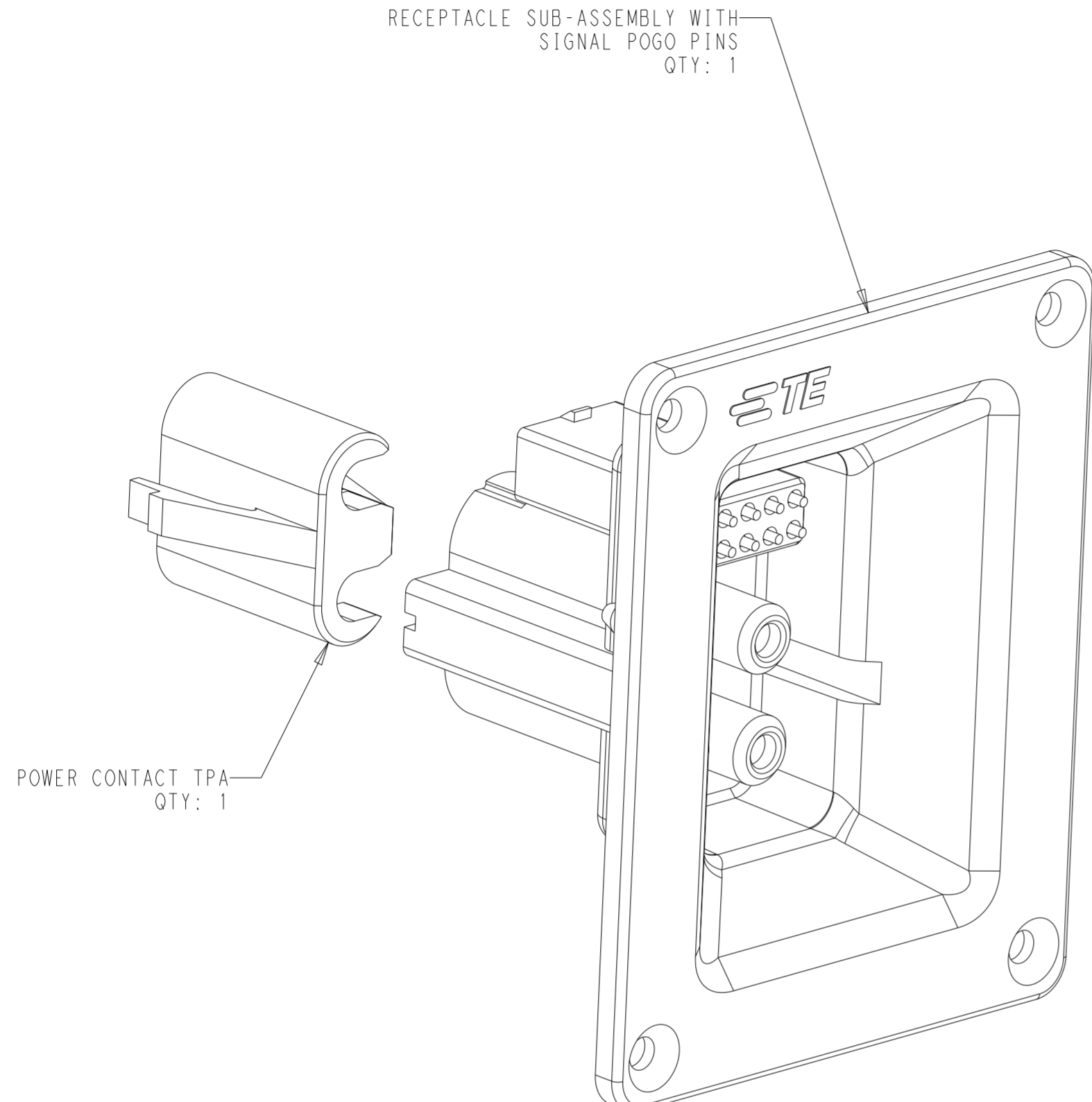


2399991-1
 PART NO.

THIS DRAWING IS A CONTROLLED DOCUMENT.		DWN C. DAILY 08SEP2021	TE Connectivity		
		CHK M. MOSTOLLER 08SEP2021			
DIMENSIONS: mm		APVD -		NAME KIT ASSEMBLY, RECEPTACLE DOCKING, BOT AMR CHARGING CONNECTOR	
TOLERANCES UNLESS OTHERWISE SPECIFIED:		PRODUCT SPEC 108-160493		RESTRICTED TO -	
0 PLC ±		APPLICATION SPEC 114-160271		SIZE A2	
1 PLC ±0.2		WEIGHT -		CAGE CODE 00779	
2 PLC ±0.13		CUSTOMER DRAWING		DRAWING NO C-2399991	
3 PLC ±		SCALE 3:2		SHEET 1 OF 2	
4 PLC ±				REV A	
ANGLES ±2°					
FINISH					
MATERIAL					

REVISIONS

P	LTR	DESCRIPTION	DATE	DWN	APVD
-	-	SEE SHEET 1	-	-	-



MATED PAIR
SCALE 1:1

RECOMMENDED PANEL CUTOUT
SCALE 3:2

THIS DRAWING IS A CONTROLLED DOCUMENT.		DWN C. DAILY 08SEP2021	TE Connectivity	
		CHK M. MOSTOLLER 08SEP2021		
DIMENSIONS: mm		APVD -	NAME KIT ASSEMBLY, RECEPTACLE DOCKING, BOT AMR CHARGING CONNECTOR	
TOLERANCES UNLESS OTHERWISE SPECIFIED:		PRODUCT SPEC 108-160493	RESTRICTED TO -	
0 PLC ±-		APPLICATION SPEC 114-160271	SIZE A2	CAGE CODE 00779
1 PLC ±0.2		WEIGHT -	DRAWING NO C-2399991	SCALE 3:2
2 PLC ±0.13		CUSTOMER DRAWING	SHEET 2	OF 2
3 PLC ±-			REV A	
4 PLC ±-				
ANGLES ±2°				
FINISH				