

## Seal - HC-B 10-FL-DI-N - 1411449

Please be informed that the data shown in this PDF Document is generated from our Online Catalog. Please find the complete data in the user's documentation. Our General Terms of Use for Downloads are valid (<http://phoenixcontact.com/download>)



Replacement flange seal, for HEAVYCON type B10 panel mounting base, latching, for panel mounting base with snapped-on flat gaskets, not for HC-....EMV housing, color: black



### Key Commercial Data

Packing unit	1 pc
Minimum order quantity	10 pc
Custom tariff number	40169300
Country of origin	Germany

### Technical data

#### General

Assembly instructions	Not for HC-...EMC housings
Connection	for panel mounting base with snapped on flat gasket

#### Ambient conditions

Ambient temperature (operation)	-40 °C ... 125 °C
---------------------------------	-------------------

### Classifications

#### eCl@ss

eCl@ss 5.1	27143424
eCl@ss 6.0	27143424
eCl@ss 8.0	27449290
eCl@ss 9.0	27440290

#### ETIM

ETIM 4.0	EC002498
----------	----------

# Seal - HC-B 10-FL-DI-N - 1411449

## Classifications

ETIM

ETIM 5.0	EC002498
----------	----------

## Approvals

Approvals

---

Approvals

EAC

---

Ex Approvals

---

Approvals submitted

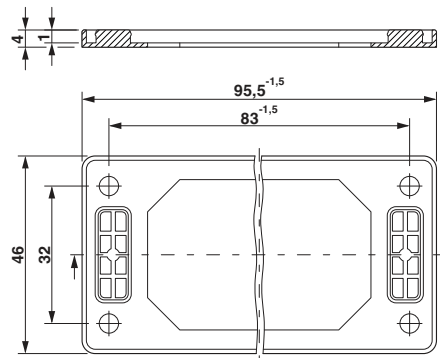
---

## Approval details

EAC
-----

## Drawings

Dimensional drawing



Dimensional drawing

---