

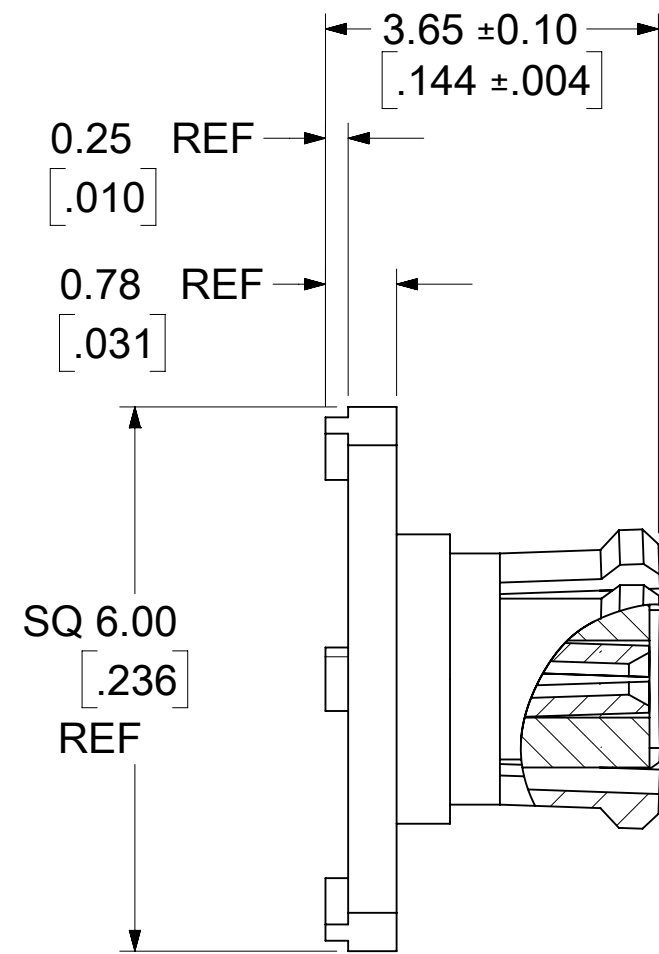
MATERIALS AND FINISHES:

BODY: BRASS
 PLATED: GOLD (10μ-in MIN)
 OVER NICKEL (100μ-in MIN)

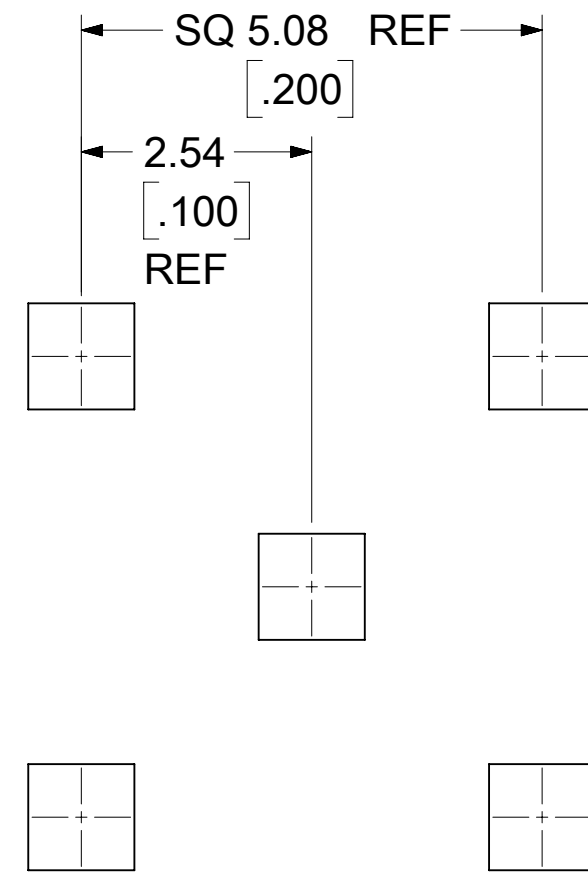
CENTER CONTACT: BRASS
 PLATED: GOLD (30μ-in MIN)
 OVER NICKEL (100μ-in MIN)

INSULATOR: PTFE

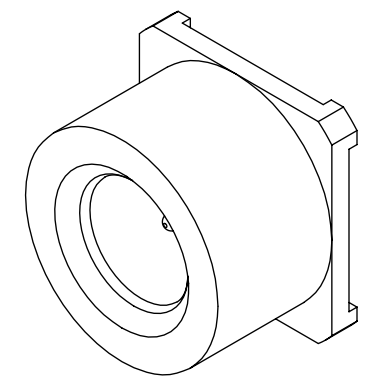
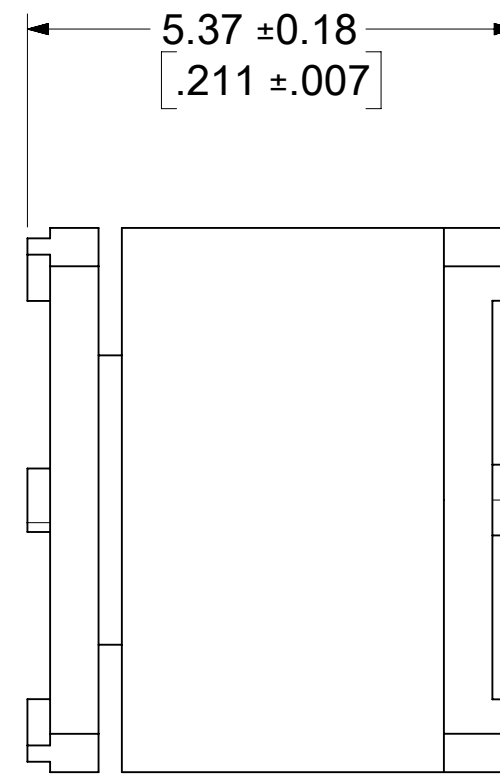
KAPTON: POLYIMIDE
 COLOR: BLACK



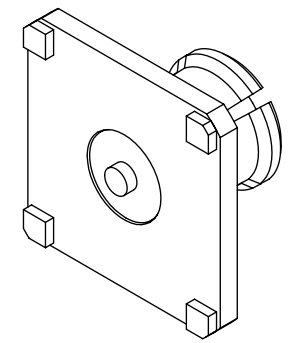
MOD SMP JACK
 (MOLEX 73415-5300)



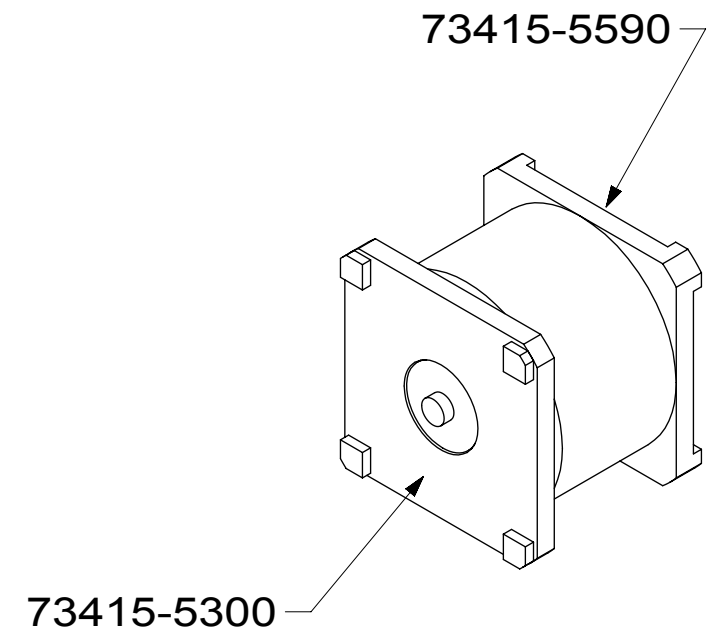
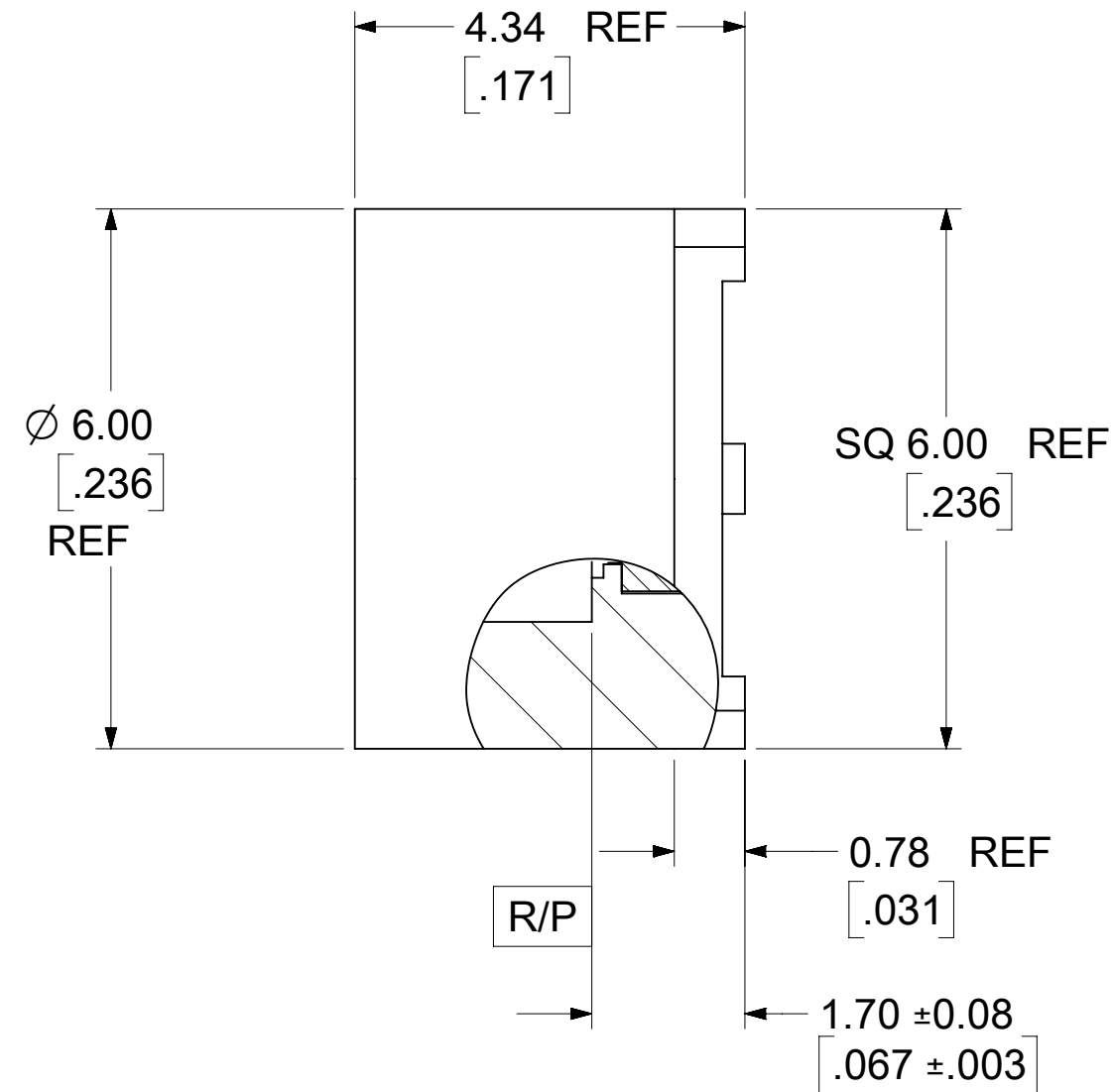
RECOMMENDED PCB LAYOUT



MOD SMP PLUG
 (MOLEX 73415-5590)



MOD SMP JACK
 (MOLEX 73415-5300)

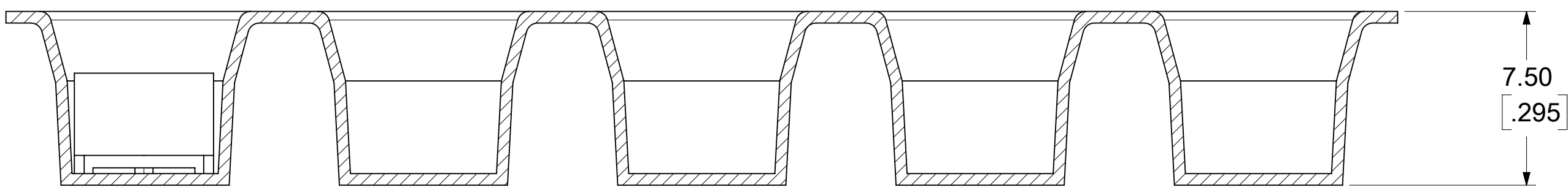
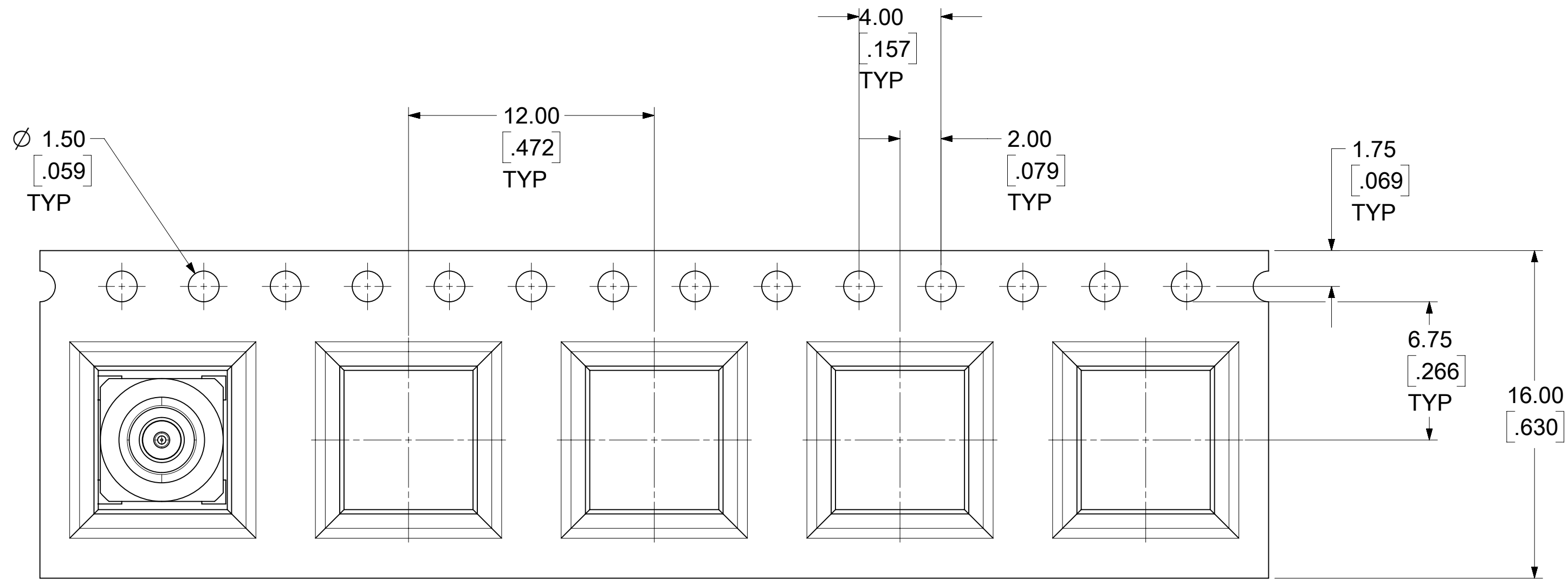


MOD SMP PLUG
 (MOLEX 73415-5590)

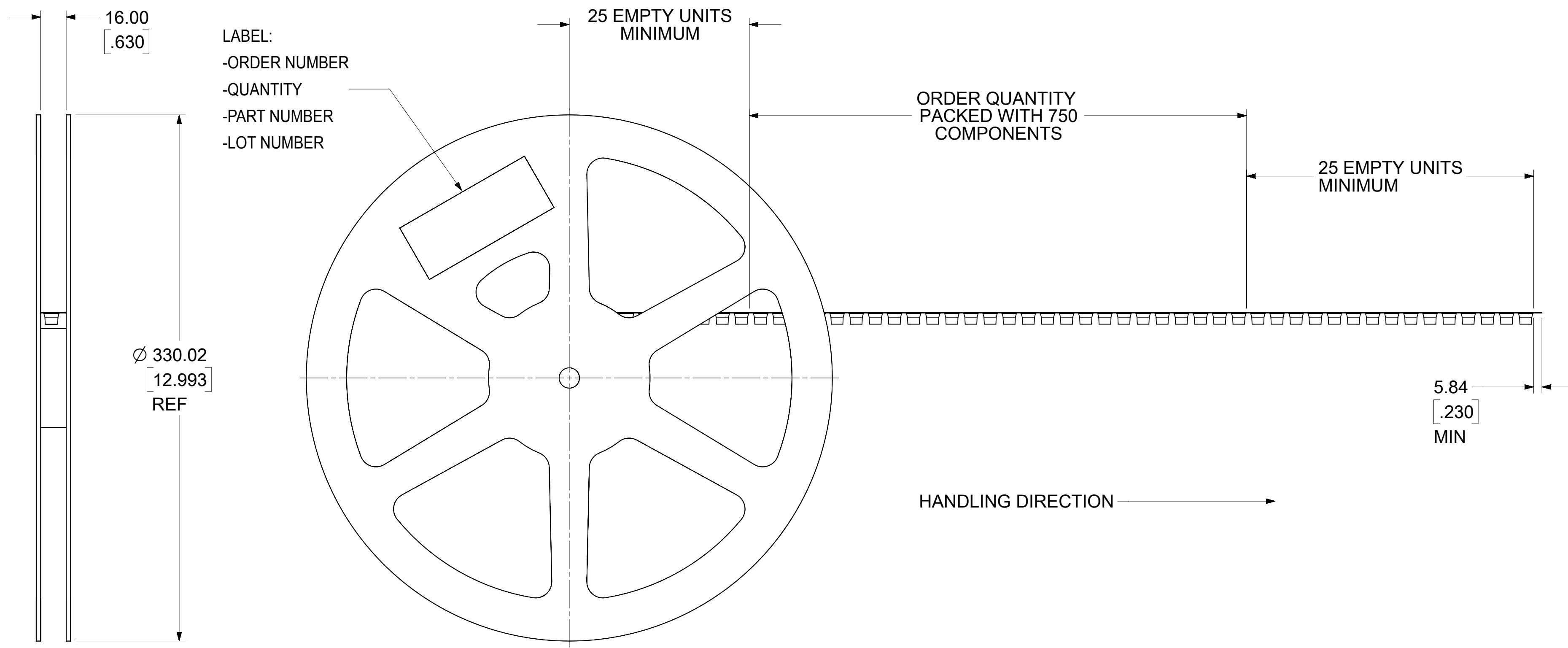
73415-5593	ONE PER BAG	895420470
73415-5592	TAPE AND REEL PACKAGING WITH KAPTON	-----
73415-5591	TAPE AND REEL PACKAGING WITHOUT KAPTON	-----
73415-5590	TRAY	895420040
PART NO.	DESCRIPTION	PACKING SPEC

PS-89675-3320	PRODUCT SPECIFICATION
MIL-STD-348B, FIG. 326.1	INTERFACE SMP JACK
MIL-STD-348B, FIG. 326.5	INTERFACE SMP PLUG
SPECIFICATION	DESCRIPTION

FUNCTIONAL SYMBOLS	THIS DRAWING CONTAINS INFORMATION THAT IS PROPRIETARY TO MOLEX ELECTRONIC TECHNOLOGIES, LLC AND SHOULD NOT BE USED WITHOUT WRITTEN PERMISSION									
	DIMENSION UNITS	SCALE	CURRENT REV DESC:							
MM/INCH	NTS	EWR # 15321-E ADDED -5593 PART NO								
GENERAL TOLERANCES (UNLESS SPECIFIED)	EC NO: 718007									
	DRWN: BSHAH 2022/04/18									
ANGULAR TOL ± 2.0°	CHK'D: YCHENG 2022/08/24									
4 PLACES ±	APPR: YCHENG 2022/08/24									
3 PLACES ±	INITIAL REVISION:									
2 PLACES ± 0.25	DRWN: JMASTRIANO 2005/10/10									
1 PLACE ±	APPR: JWIENER 2005/10/11									
0 PLACES ±	THIRD ANGLE PROJECTION									
DRAFT WHERE APPLICABLE MUST REMAIN WITHIN DIMENSIONS	DRAWING		SERIES		MATERIAL NUMBER		CUSTOMER		SHEET NUMBER	
	C-SIZE		73415		SD-73415-559		GENERAL MARKET		1 OF 3	



FUNCTIONAL SYMBOLS $\nabla_A = 0$ $\nabla_C = 0$ $\nabla_P = 0$	THIS DRAWING CONTAINS INFORMATION THAT IS PROPRIETARY TO MOLEX ELECTRONIC TECHNOLOGIES, LLC AND SHOULD NOT BE USED WITHOUT WRITTEN PERMISSION		CURRENT REV DESC:		 MOD SMP PLUG, PCB, SMT 50 OHMS, EWR-2926 SMP-P/PCB/SMT PRODUCT CUSTOMER DRAWING
	DIMENSION UNITS	SCALE	EWR # 15321-E ADDED -5593 PART NO		
	MM/INCH	NTS	EC NO: 718007 DRWN: BSHAH 2022/04/18 CHK'D: YCHENG 2022/08/24 APPR: YCHENG 2022/08/24		
	GENERAL TOLERANCES (UNLESS SPECIFIED)		INITIAL REVISION: DRWN: JMASTRIANO 2005/10/10 APPR: JWIENER 2005/10/11		
ANGULAR TOL $\pm 2.0^\circ$		THIRD ANGLE PROJECTION		DOCUMENT NUMBER	DOC TYPE DOC PART REVISION
4 PLACES \pm		DRAWING		SD-73415-559	PSD 001 A6
3 PLACES \pm		SERIES		MATERIAL NUMBER	CUSTOMER
2 PLACES ± 0.25		C-SIZE		GENERAL MARKET	SHEET NUMBER
1 PLACE \pm		73415			2 OF 3
0 PLACES \pm		DRAFT WHERE APPLICABLE MUST REMAIN WITHIN DIMENSIONS			



FUNCTIONAL SYMBOLS										THIS DRAWING CONTAINS INFORMATION THAT IS PROPRIETARY TO MOLEX ELECTRONIC TECHNOLOGIES, LLC AND SHOULD NOT BE USED WITHOUT WRITTEN PERMISSION									
DIMENSION UNITS		SCALE		CURRENT REV DESC:															
MM/INCH		NTS		EWR # 15321-E ADDED -5593 PART NO															
GENERAL TOLERANCES (UNLESS SPECIFIED)		ANGULAR TOL ± 2.0°		EC NO: 718007						MOD SMP PLUG, PCB, SMT 50 OHMS, EWR-2926 SMP-P/PCB/SMT									
4 PLACES ±				DRWN: BSHAH 2022/04/18						PRODUCT CUSTOMER DRAWING									
3 PLACES ±				CHK'D: YCHENG 2022/08/24						DOCUMENT NUMBER									
2 PLACES ± 0.25				APPR: YCHENG 2022/08/24						SD-73415-559									
1 PLACE ±				INITIAL REVISION:						DOC TYPE		DOC PART		REVISION					
0 PLACES ±				DRWN: JMASTRIANO 2005/10/10						PSD		001		A6					
DRAFT WHERE APPLICABLE MUST REMAIN WITHIN DIMENSIONS		THIRD ANGLE PROJECTION		DRAWING		SERIES		MATERIAL NUMBER		CUSTOMER		SHEET NUMBER							
				C-SIZE		73415		GENERAL MARKET		3 OF 3									