

### CMF23V-104700

**Description:**

The CMF23 Series provides exceptional common-mode suppression and exceptional stray inductance to suppress differential-mode noise. In effect, the CMF23 Series combines the features of two separate components into one.

**Construction:**

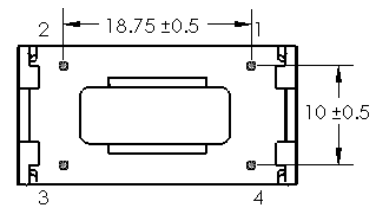
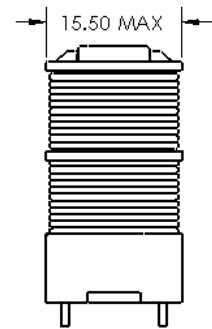
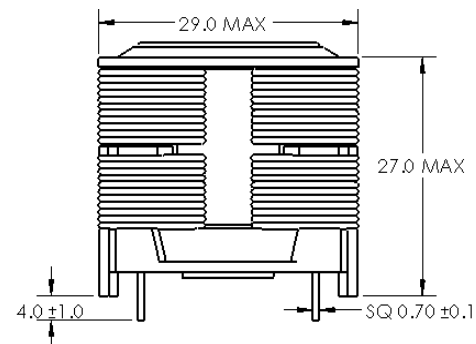
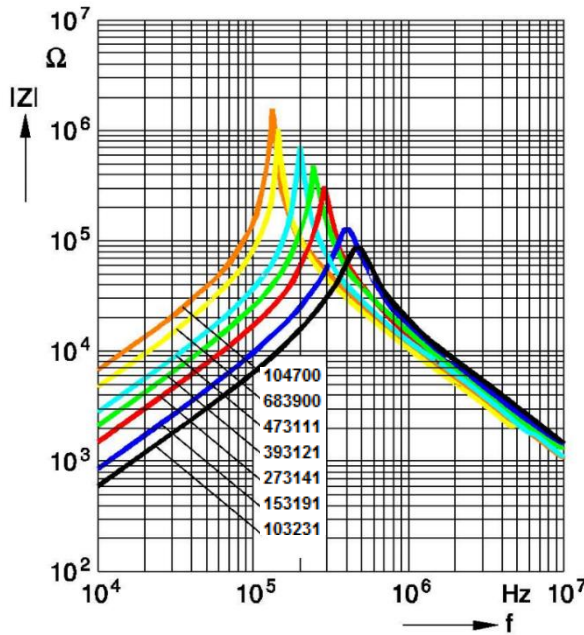
Constructed with UL rated 130°C (Class B) materials.

**Electrical Specifications (@20°C) @ 10kHz**

Inductance <sup>(1)</sup>	L <sub>stray typ</sub>	Amps <sup>(2)</sup> (A)	Max. DC (Ω) Resistance
100mH	2100uH	0.70	1.99

1. Inductance Tolerance: -30/+50%
2. Inductance per winding.
3. Operating Temperature: -40 – 105°C
4. Storage Temperature: -25°C – +40°C, ≤ 75% RH
5. Rated Voltage: 300VAC (50/60Hz)
6. Weight: 18g

**CMF23 Series – Frequency Response Curve**



**Agency Files:**

UL file E65390 – ANSI/UL 60939-3. Passive Filter Units for Electromagnetic Interference Suppression - Part 3: Passive Filter Units for Which Safety Tests are Appropriate.

**Safety:** 2000VAC Dielectric Strength between windings.

**RoHS Compliance:** As of manufacturing date February 2016, all standard products meet the requirements of 2015/863/EU, known as the RoHS 3 initiative.

\*Upon printing, this document is considered "uncontrolled". Please contact Triad Magnetics website for the most current version. For soldering and washing information please see <http://www.triadmagnetics.com>