

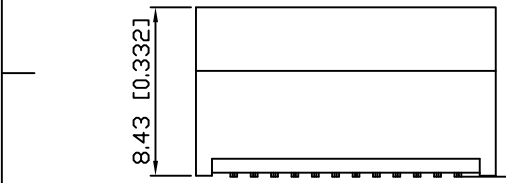
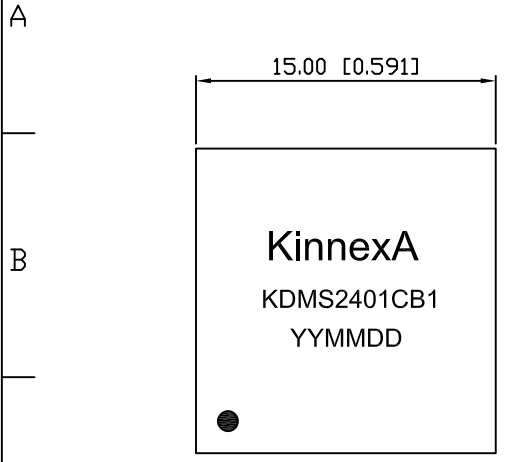
1. MECHANICAL DIMENSIONS :

REV.	DATE	DESCRIPTION
01	Jan.09,17	1st RELEASE

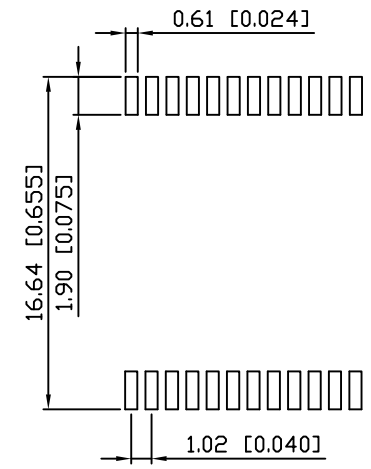
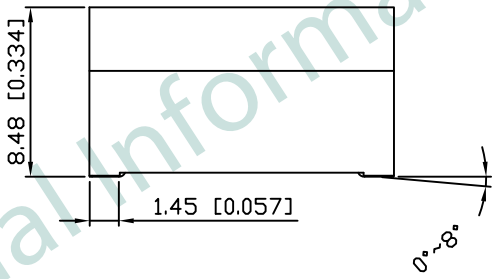
RoHS Compliant

NOTES:

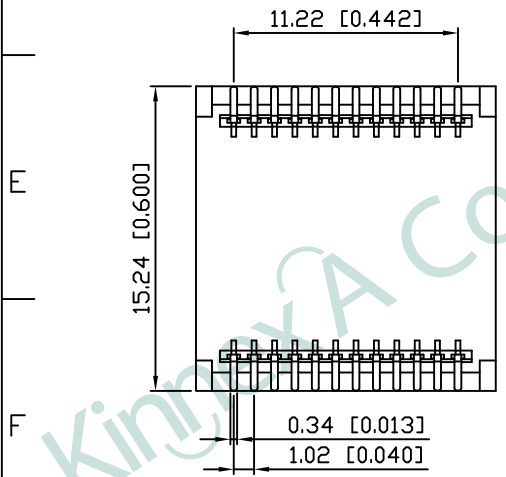
- MATERIAL:  
HOUSING: LCP, STANDARD COLOR-BLACK  
SOLDER PIN: BRASS PLATED WITH TIN
- OPERATING TEMPERATURE: 0°C ~ +70°C
- UNSPECIFIED TOLERANCE: .XX ±0.25[0.010]



$\Delta$  0.10 [0.004]  
24 SURFACES



SUGGESTED PAD LAYOUT



KTFZ-DMS2401CB1-HA1

TRANSFORMER  
MODULE SERIES

CUSTOMER CODE

TYPE  
D: STANDARD

APPLICATION  
M: 10 GIGABIT

NUMBER OF PORT  
S: FOR SINGLE PORT

NUMBER OF PIN

MECHANICAL TYPE

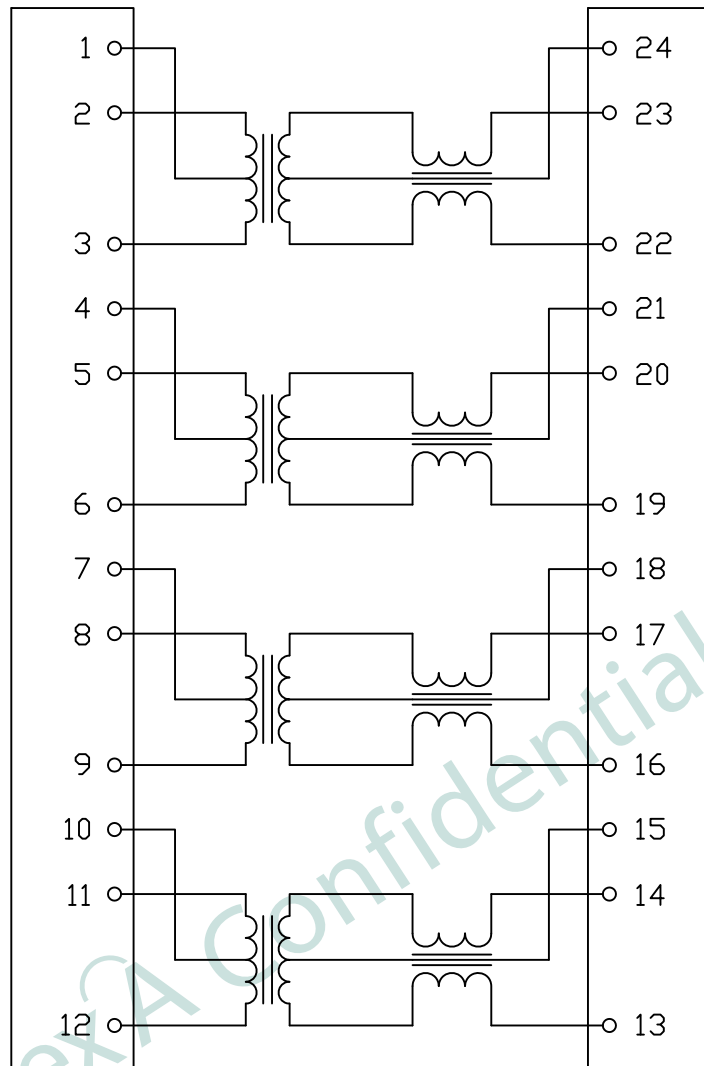
PITCH  
B: 1.02

TERMINAL TYPE  
C: SMT TYPE

CIRCUIT TYPE

PART NO		KTFZ-DMS2401CB1-HA1		
TITLE	10G BASE-T TRANSFORMER MODULES			
REV : 01				
UNIT	DRAWN	CHKD	DATE	SHEET
mm[inch]	DANIEL	RYAN	Jan.09,17	1 of 3

2. SCHEMATIC :



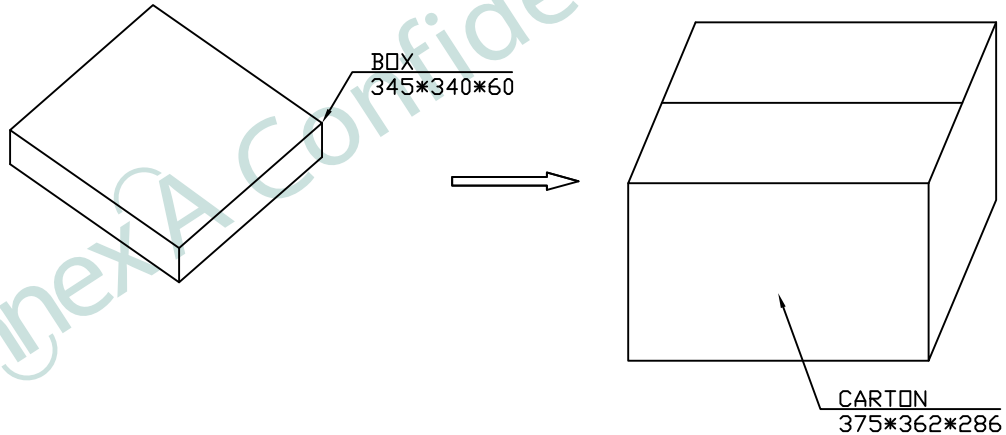
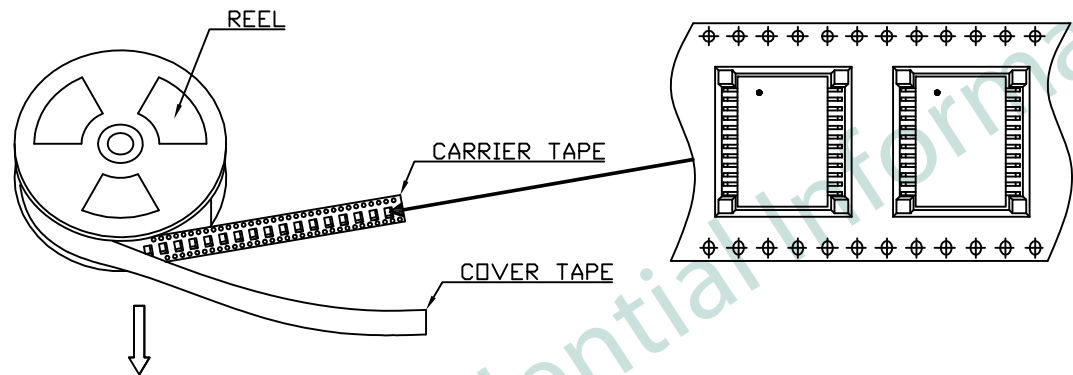
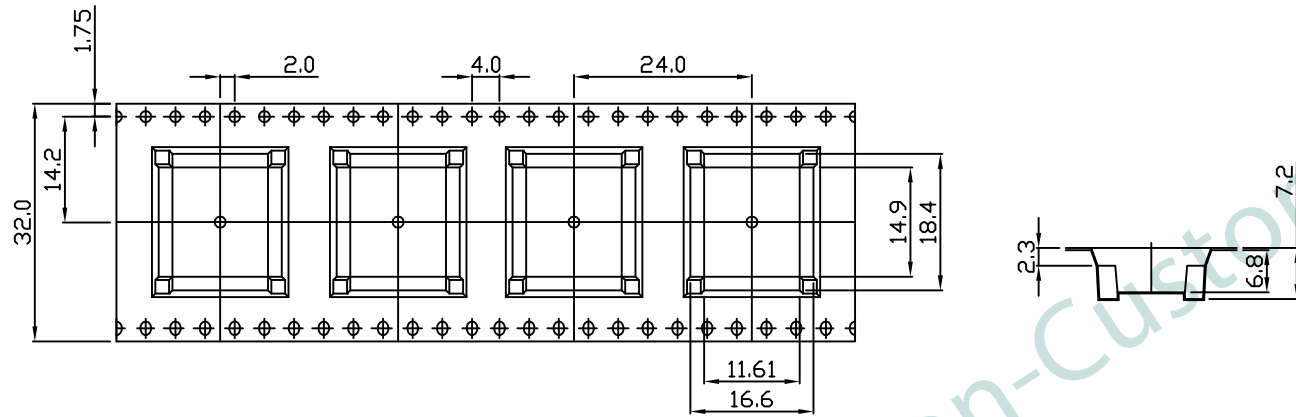
3. ELECTRICAL CHARACTERISTICS :

TEST NOTES:(25°±5°C)

1. INSERTION LOSS:
  - 0.5dB MAXIMUM AT 1MHz TO 5MHz
  - 0.6dB MAXIMUM AT 5MHz TO 200MHz
  - 1.0dB MAXIMUM AT 200MHz TO 400MHz
  - 3.0dB MAXIMUM AT 400MHz TO 600MHz
2. RETURN LOSS AT THE PHY SIDE:
  - 20dB MINIMUM AT 1MHz TO 200MHz
  - 15dB MINIMUM AT 200MHz TO 400MHz
  - 14dB MINIMUM AT 400MHz TO 600MHz
  - 8dB MINIMUM AT 600MHz TO 800MHz
3. CROSS TALK:
  - 30dB MINIMUM AT 100MHz TO 500MHz
4. CM TO DM REJECTION:
  - 30dB MINIMUM AT 1MHz TO 500MHz
5. CM TO CM REJECTION:
  - 40dB MINIMUM AT 1MHz TO 100MHz
  - 35dB MINIMUM AT 100MHz TO 300MHz
  - 30dB MINIMUM AT 300MHz TO 600MHz
6. HIPOT:
  - INPUT TO OUTPUT : 1500VAC FOR 60 SECONDS

		PART NO			KTFZ-DMS2401CB1-HA1
TITLE		10G BASE-T TRANSFORMER MODULES			
REV : 01					
UNIT	DRAWN	CHKD	DATE	SHEET	
mm[inch]	DANIEL	RYAN	Jan.09,17	2 of 3	

4. PACKING SPECIFICATION:



400	400	1600
PCS/REEL	PCS/BOX	PCS/CARTON

PART NO		KTFZ-DMS2401CB1-HA1		
TITLE	10G BASE-T TRANSFORMER MODULES			
REV : 01				
UNIT	DRAWN	CHKD	DATE	SHEET
mm[inch]	DANIEL	RYAN	Jan.09,17	3 of 3