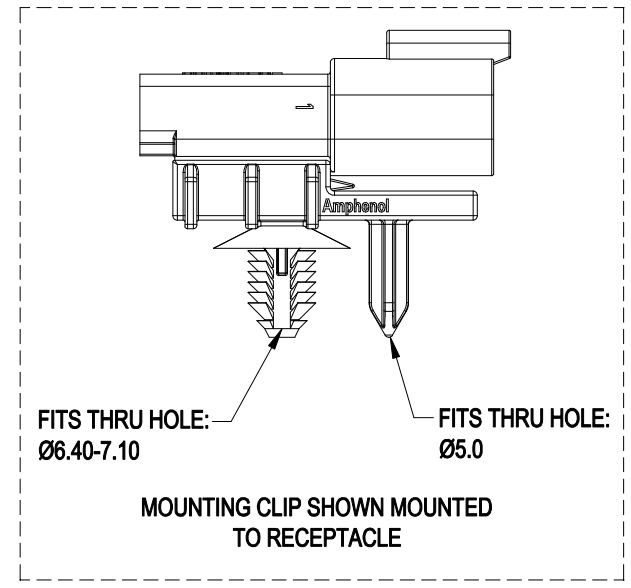
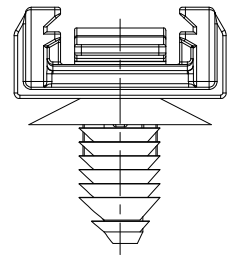
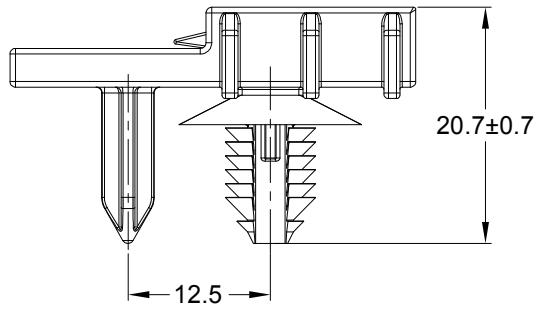
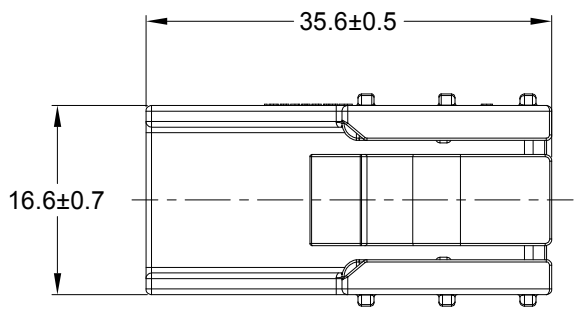


REVISIONS					
REV	ECO	DESCRIPTION	DATE	BY	APPR
A1	-	NEW RELEASE	14/MAR/18	ROOKIE	TOMMY
A2	-	UPDATE DRAWING	13/JAN/20	ROOKIE	TOMMY



NOTES: UNLESS OTHERWISE SPECIFIED

1. MATERIAL: THERMOPLASTIC; COLOR: BLACK
2. RoHS COMPLIANT
3. USE WITH CONNECTORS
  - A.AT04-2P\*/3P\*/4P\*/6P\*/12P\*
  - B.ATM04-2P\*~12P\*
  - C.ATP04-2P\*/4P\*
  - D.ATV04-\*
  - E.ATHD04-\*

(\* = MODIFICATIONS AND/OR COLORS)
4. ALL DIMENSIONS ARE FOR REFERENCE USE ONLY.
5. RECOMMENDED PANEL THICKNESS: 0.70 - 5.10.
6. CONNECTOR REMOVABLE FORCE: 50N Min.

AT11-310-0205		REF:1011-310-0205		
QUANTITY	PART NUMBER	DESCRIPTION	ITEM	
<b>MATERIALS LIST</b>				
<b>UNLESS OTHERWISE SPECIFIED</b> 1) All dimensions are in metric(mm). 2) Tolerances are as follows: 1 PL DEC ±0.30    Fractions ±1/64 2 PL DEC ±0.15    Angles ±1° 3 PL DEC ±0.08 3) Note reference =		<b>SIGNATURES</b> <b>DATE</b> DRAWN: ROOKIE    13/JAN/20 CHECKED: ORION    13/JAN/20 ENGINEER: APPROVAL: TOMMY    13/JAN/20 CUSTOMER:	<h1>Amphenol</h1> <p>Sine Systems - www.amphenol-sine.com                  44724 Morley Drive                  Clinton Township, MI 48036</p>	
MATERIAL SPECIFICATIONS:		<b>MOUNTING CLIP,AT/ATM/ATP/ATV/ATHD,BLK FIR TREE STUD MOUNT</b>		
PROCESS SPECIFICATIONS:		THIS DRAWING IS SUPPLIED FOR INFORMATION ONLY. DESIGN FEATURES, SPECIFICATIONS AND PERFORMANCE DATA SHOWN HEREON ARE THE PROPERTY OF THE AMPHENOL CORPORATION. NO RIGHTS OF REPRODUCTION ARE IMPLIED. ALL DIMENSIONS ARE SUBJECT TO NORMAL MANUFACTURING VARIATIONS.		SIZE: <b>A C-</b> SCALE: NONE
NEXT ASSY:		DWG NO: <b>AT11-310-0205</b> REVISION: <b>A2</b>		SHEET 1 OF 1