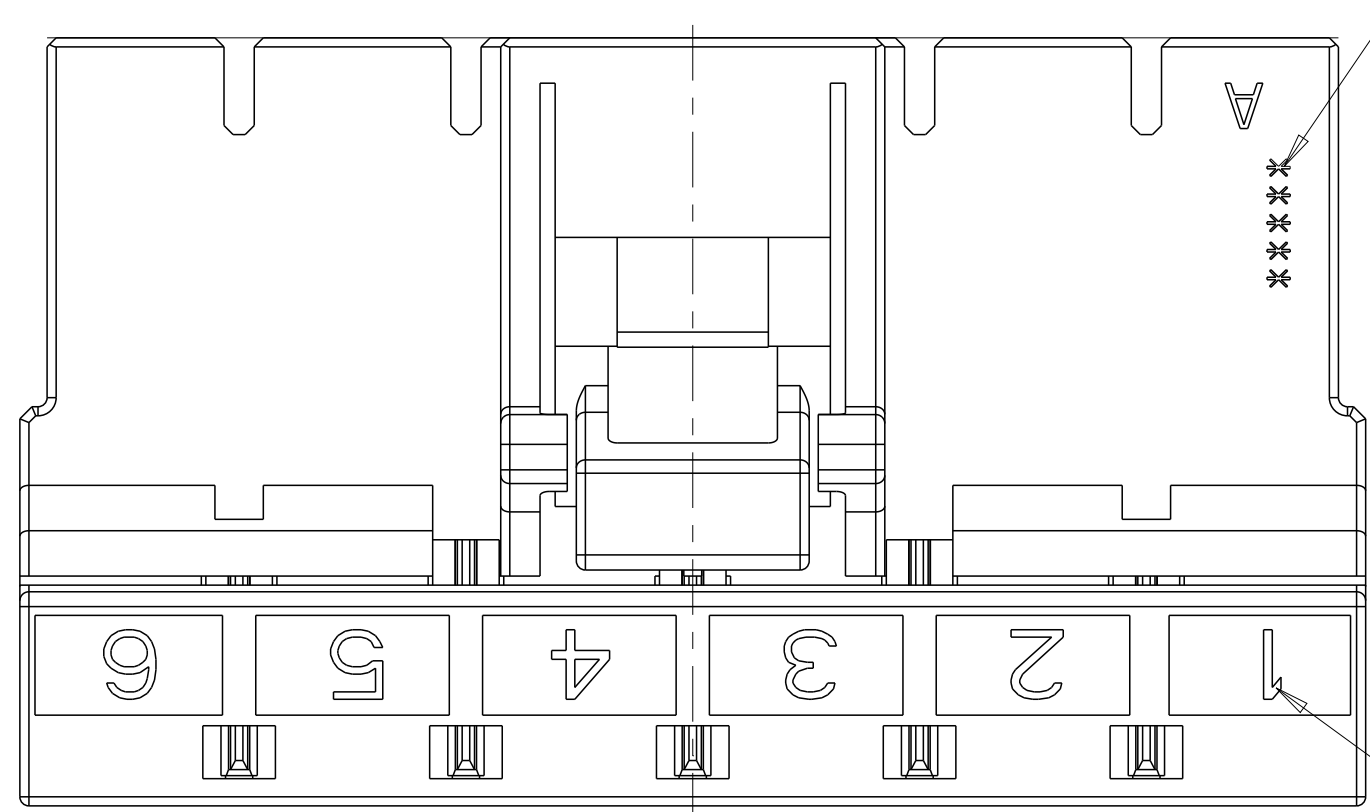
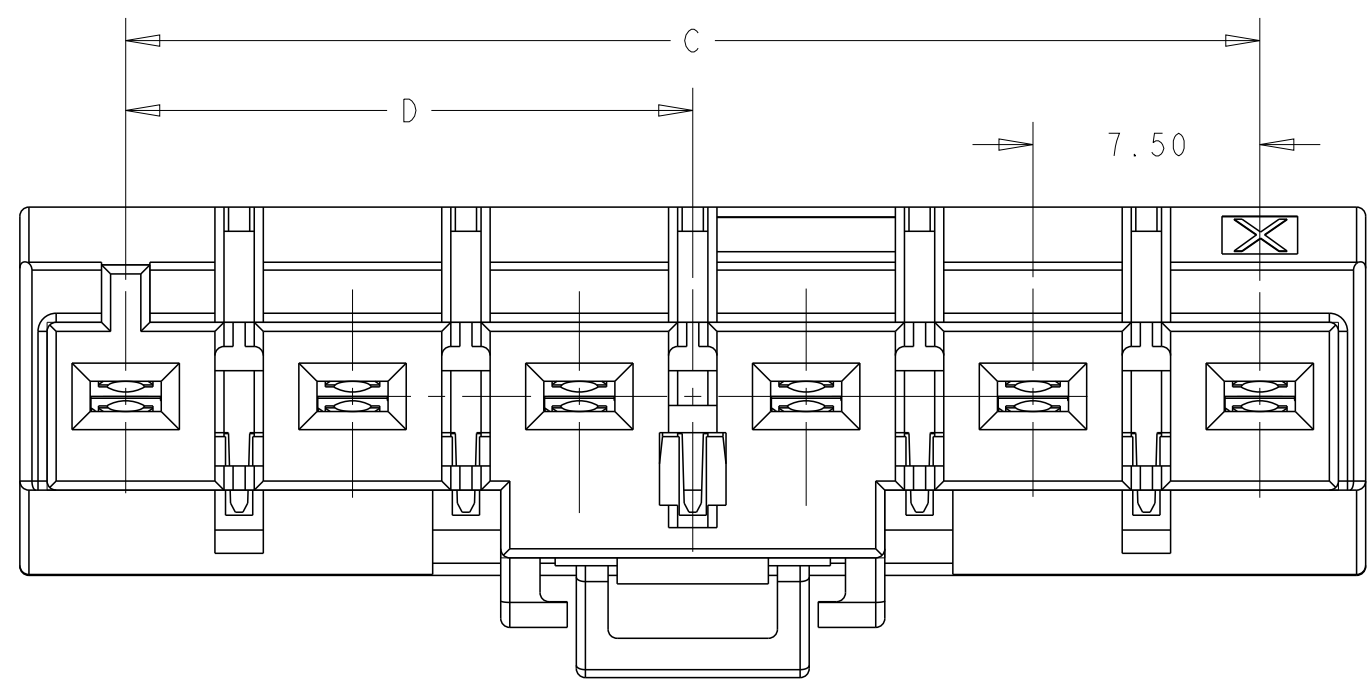
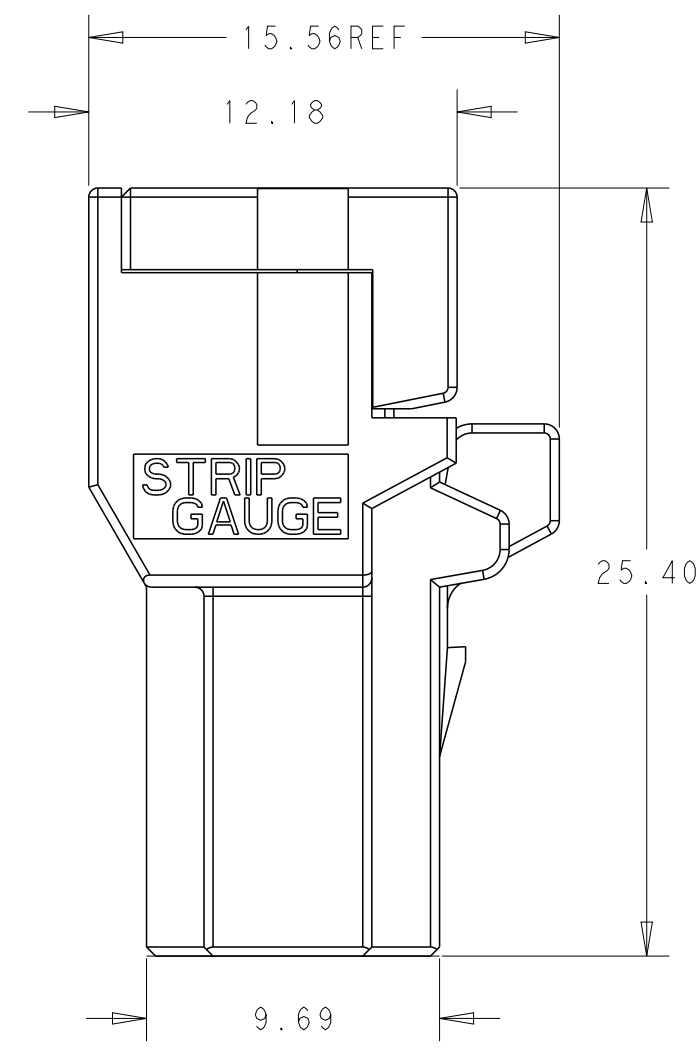
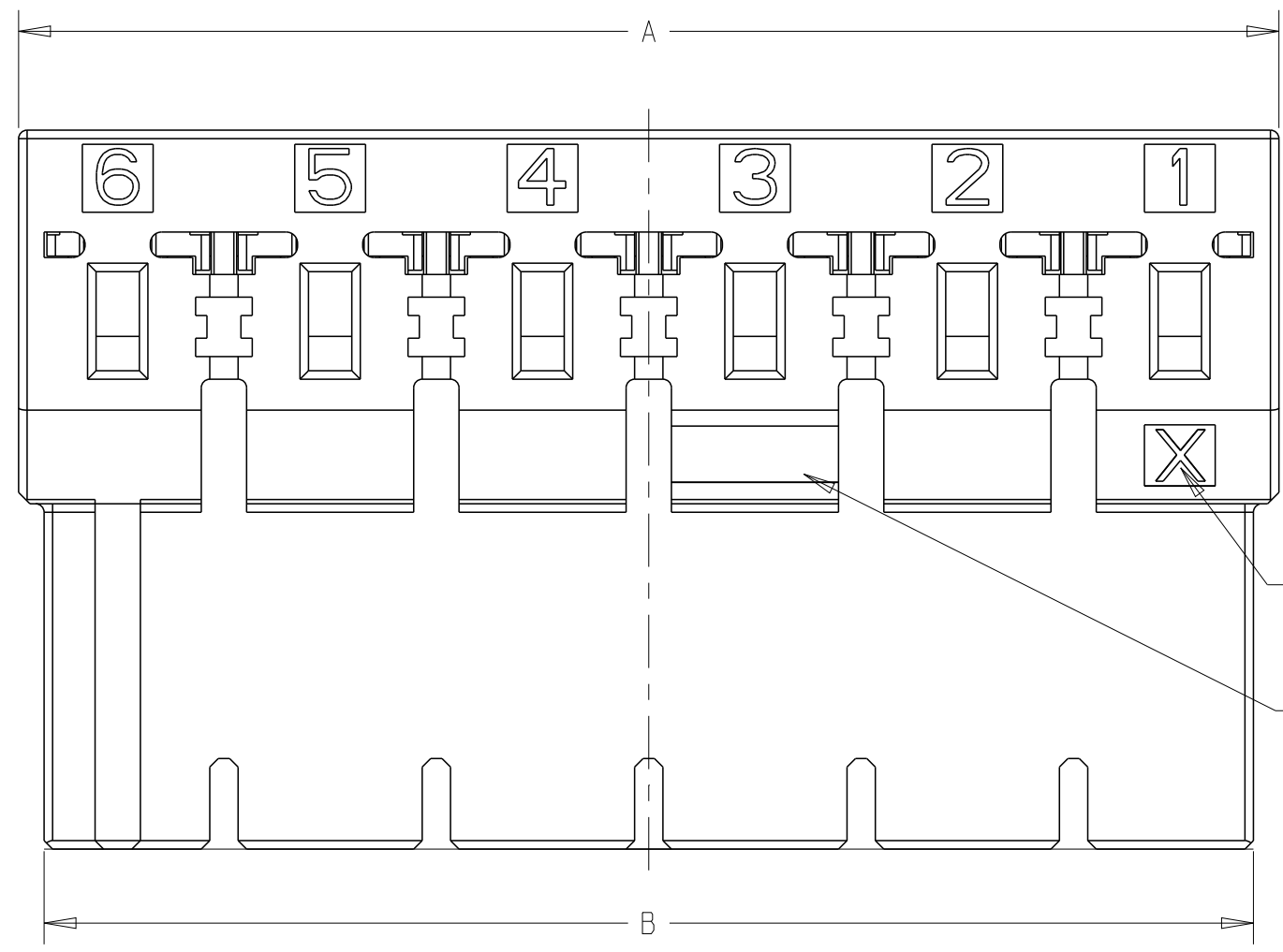


THIS DRAWING IS UNPUBLISHED. RELEASED FOR PUBLICATION 20  
 © COPYRIGHT 20 BY - ALL RIGHTS RESERVED.



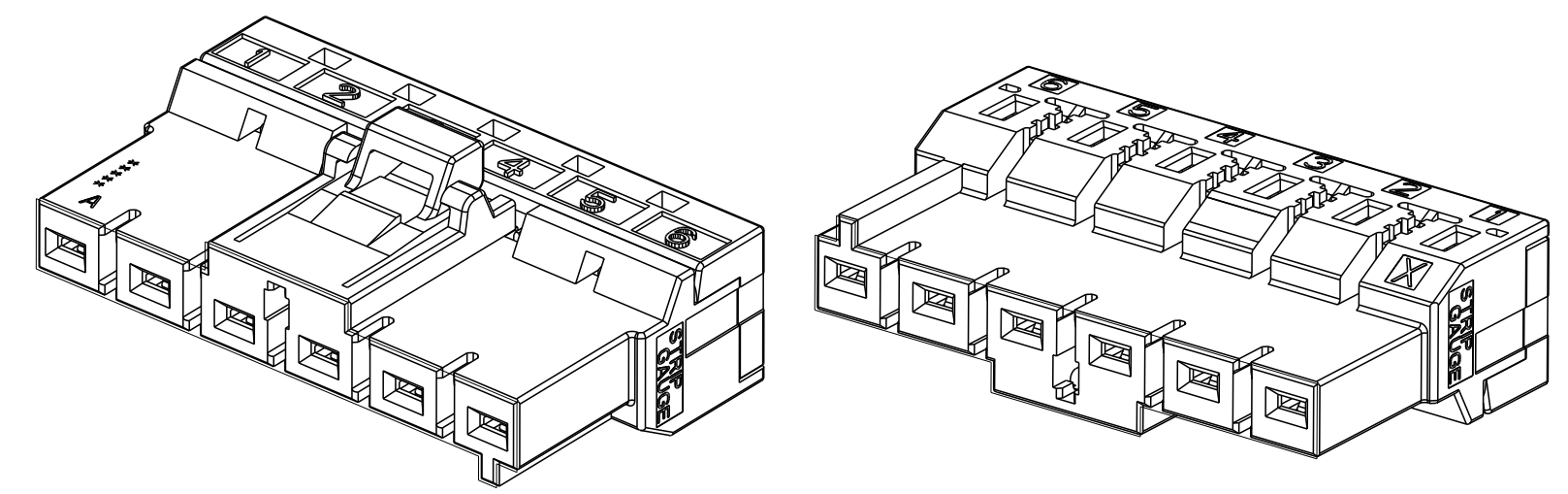
KEY MARK  
 COMPANY LOGO

DATE CODE (FIRST 5 DIGITS)  
 ASSEMBLY MACHINE ID (THE REST)

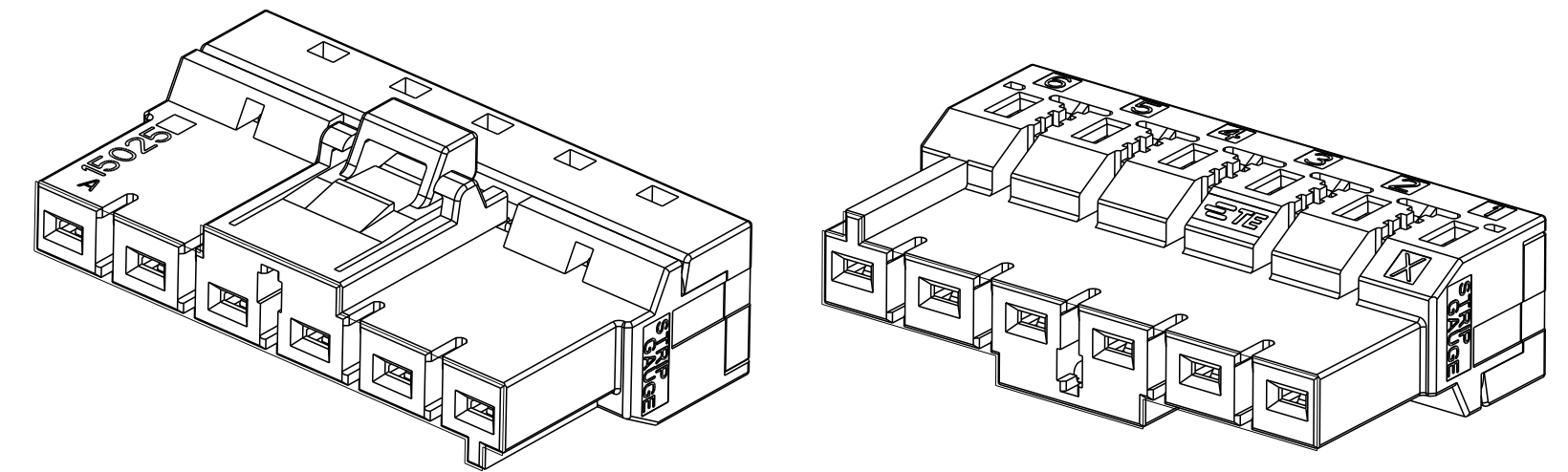
MARKING

AS SHOWN 1-2271454-6

REVISIONS					
P	LTR	DESCRIPTION	DATE	DWN	APVD
B		REVISED	25JUN2018	K.T	E.I
C		REVISED PER ECR-19-016272	21OCT2019	T.S	E.I
D		REVISED	02JUL2020	RI	EI



1-2271454-6



2271454-6

- ① NOTE DELETED
- ② RATED VOLTAGE: 600VAC,
- ③ APPLICATION CABLE: 22AWG~14AWG
- ④ OPERATION TEMPERATURE: -30°C~105°C
- ⑤ CONTACT RESISTANCE: 10mΩ MAX. INITIAL
- ⑥ INSULATION RESISTANCE: 1000MΩ MIN. INITIAL
- ⑦ NOTE DELETED

X	W/O	6PIN	18.75	37.50	42.70	44.50	2271454-6
X	WITH	6PIN	18.75	37.50	42.70	44.50	1-2271454-6
KEY MARK	MARKING	PINS	DIM.D	DIM.C	DIM.B	DIM.A	ASSEMBLY P/N

THIS DRAWING IS A CONTROLLED DOCUMENT.		DWN Ning Wang 08JAN2015	TE Connectivity	
DIMENSIONS: mm		CHK Kobby Zhao 08JAN2015		
TOLERANCES UNLESS OTHERWISE SPECIFIED:		APVD Xiang Xu 08JAN2015	NAME DYNAMIC D3950 RECEPTACLE ASSEMBLY	
0 PLC ±		PRODUCT SPEC 108-78997	SIZE A2	
1 PLC ±0.50		APPLICATION SPEC 411-78272	CAGE CODE -	
2 PLC ±0.30		WEIGHT -	DRAWING NO G-2271454	
3 PLC ±		RESTRICTED TO -	SCALE 2:1	
4 PLC ±		Customer Drawing	SHEET 1 OF 1	
ANGLES ±			REV D	
FINISH -				