

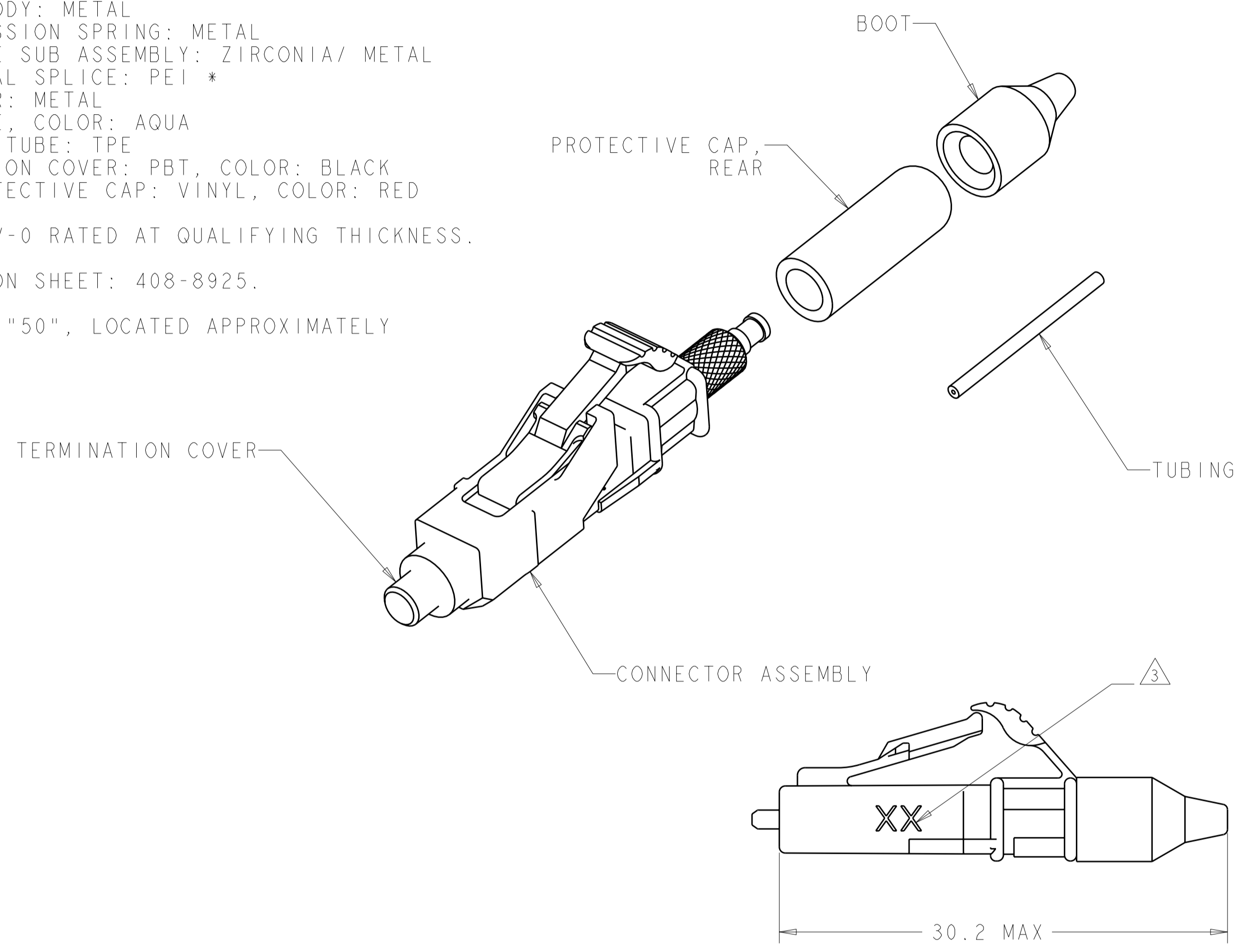
THIS DRAWING IS UNPUBLISHED. RELEASED FOR PUBLICATION 20  
 © COPYRIGHT 20 BY TYCO ELECTRONICS CORPORATION. ALL RIGHTS RESERVED.

LOC	DIST	REVISIONS			
P	LTR	DESCRIPTION	DATE	DWN	APVD
CE	00	A	REL TO ACTIVE STATUS 06-027039	4JAN2007	DDE EH
		B	REVISE PER ECR-07-009334	07MAY2007	BB CB
		C	ECR-08-031868	22DEC2008	KG SB

1 MATERIAL:  
 CONNECTOR ASSEMBLY:  
 CONNECTOR HOUSING: PPSU, COLOR: SEE -NO'S.\*  
 REAR BODY: METAL  
 COMPRESSION SPRING: METAL  
 FERRULE SUB ASSEMBLY: ZIRCONIA/ METAL  
 INTERNAL SPLICE: PEI \*  
 PLUNGER: METAL  
 BOOT: TPE, COLOR: AQUA  
 BUILD-UP TUBE: TPE  
 TERMINATION COVER: PBT, COLOR: BLACK  
 REAR PROTECTIVE CAP: VINYL, COLOR: RED

\* UL 94 V-0 RATED AT QUALIFYING THICKNESS.

2. INSTRUCTION SHEET: 408-8925.  
 3 MARK WITH "50", LOCATED APPROXIMATELY AS SHOWN.



SLATE	1-1828854-0
ORANGE	1828854-9
VIOLET	1828854-8
BROWN	1828854-7
AQUA	1828854-6
ROSE	1828854-5
BLUE	1828854-4
GREEN	1828854-3
YELLOW	1828854-2
RED	1828854-1
KEYED HOUSING COLOR	PART NO.

<small>THIS DRAWING IS A CONTROLLED DOCUMENT FOR TYCO ELECTRONICS CORPORATION. IT IS SUBJECT TO CHANGE AND THE CONTROLLING ENGINEERING ORGANIZATION SHOULD BE CONTACTED FOR THE LATEST REVISION.</small>		DWN D. ERDMAN 11AUG05 CHK M. GURRERI 11AUG05 APVD D. BAECHTLE 11AUG05	<b>Tyco Electronics</b> Tyco Electronics Harrisburg, PA 17105-3608
DIMENSIONS: mm 	TOLERANCES UNLESS OTHERWISE SPECIFIED: 0 PLC ± 1 PLC ± 2 PLC ± 3 PLC ± 4 PLC ± ANGLES ± FINISH	PRODUCT SPEC APPLICATION SPEC WEIGHT	NAME <b>KIT, CONNECTOR, LightCrimp Plus LC SECURE, SIMPLEX, MM50XG</b> SIZE A2 CAGE CODE 00779 DRAWING NO 1828854 RESTRICTED TO -
MATERIAL 		CUSTOMER DRAWING SCALE 4:1 SHEET 1 OF 1 REV C	