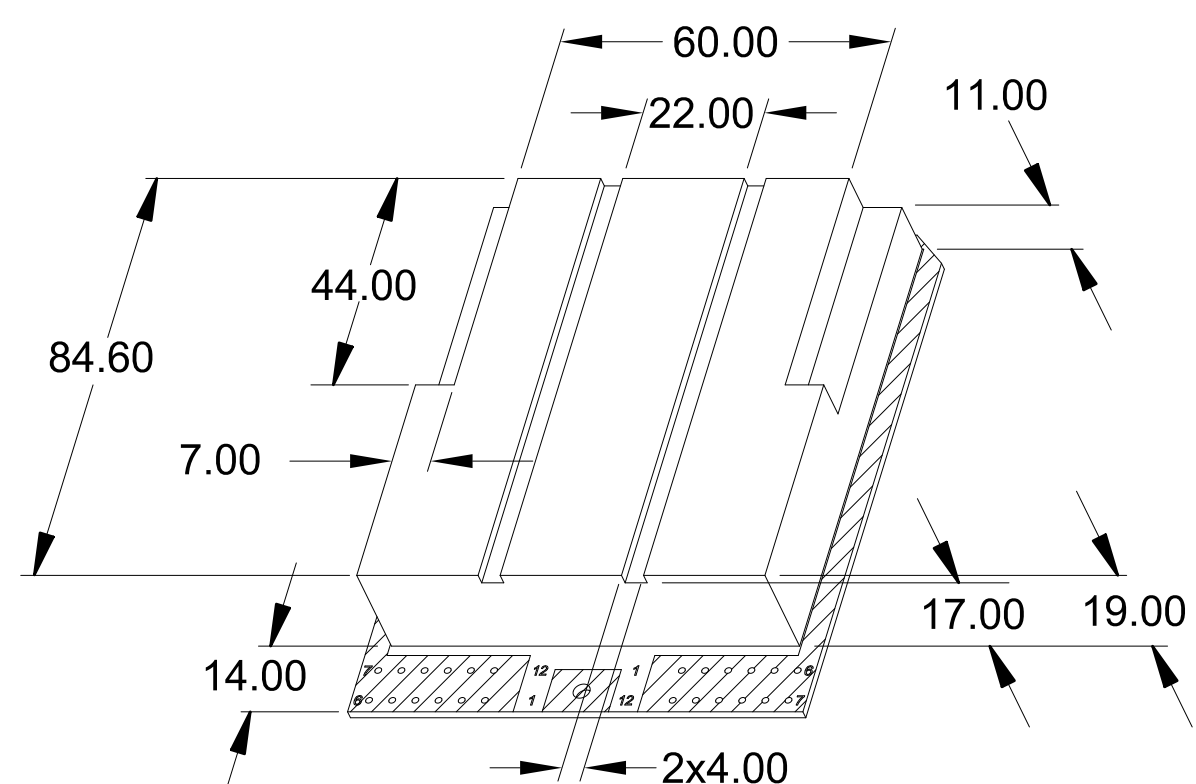
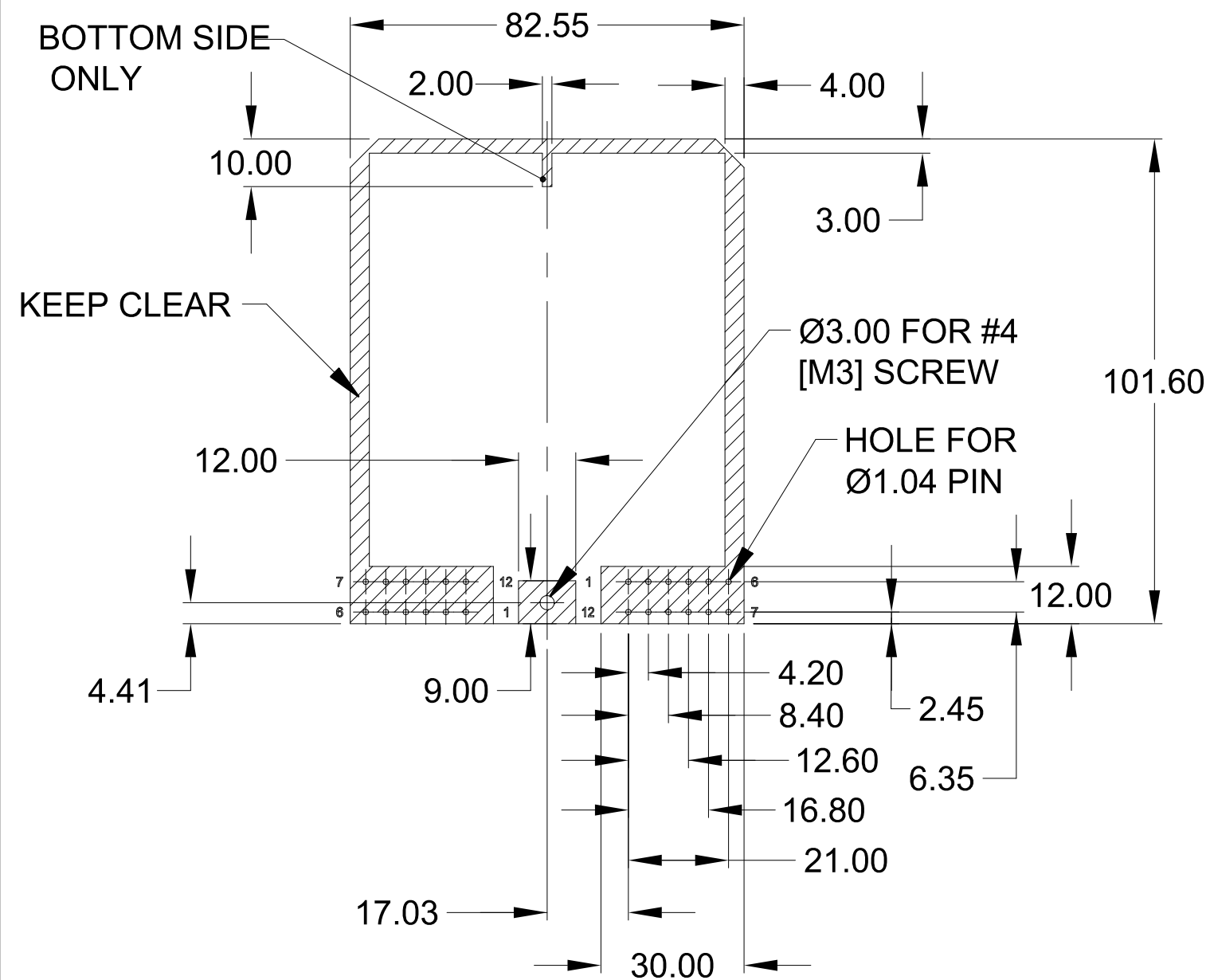
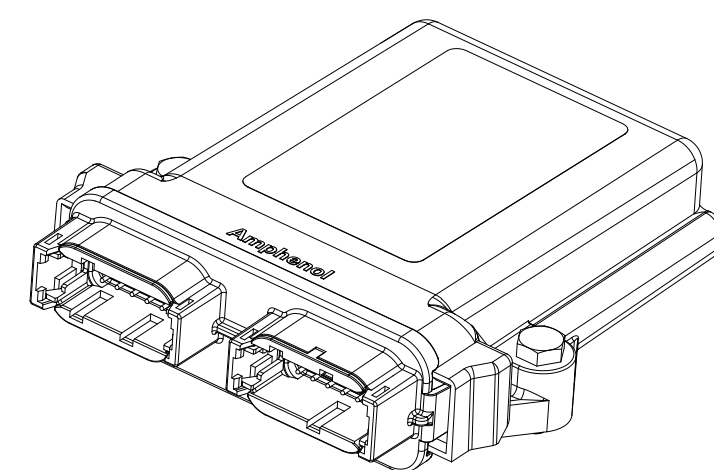
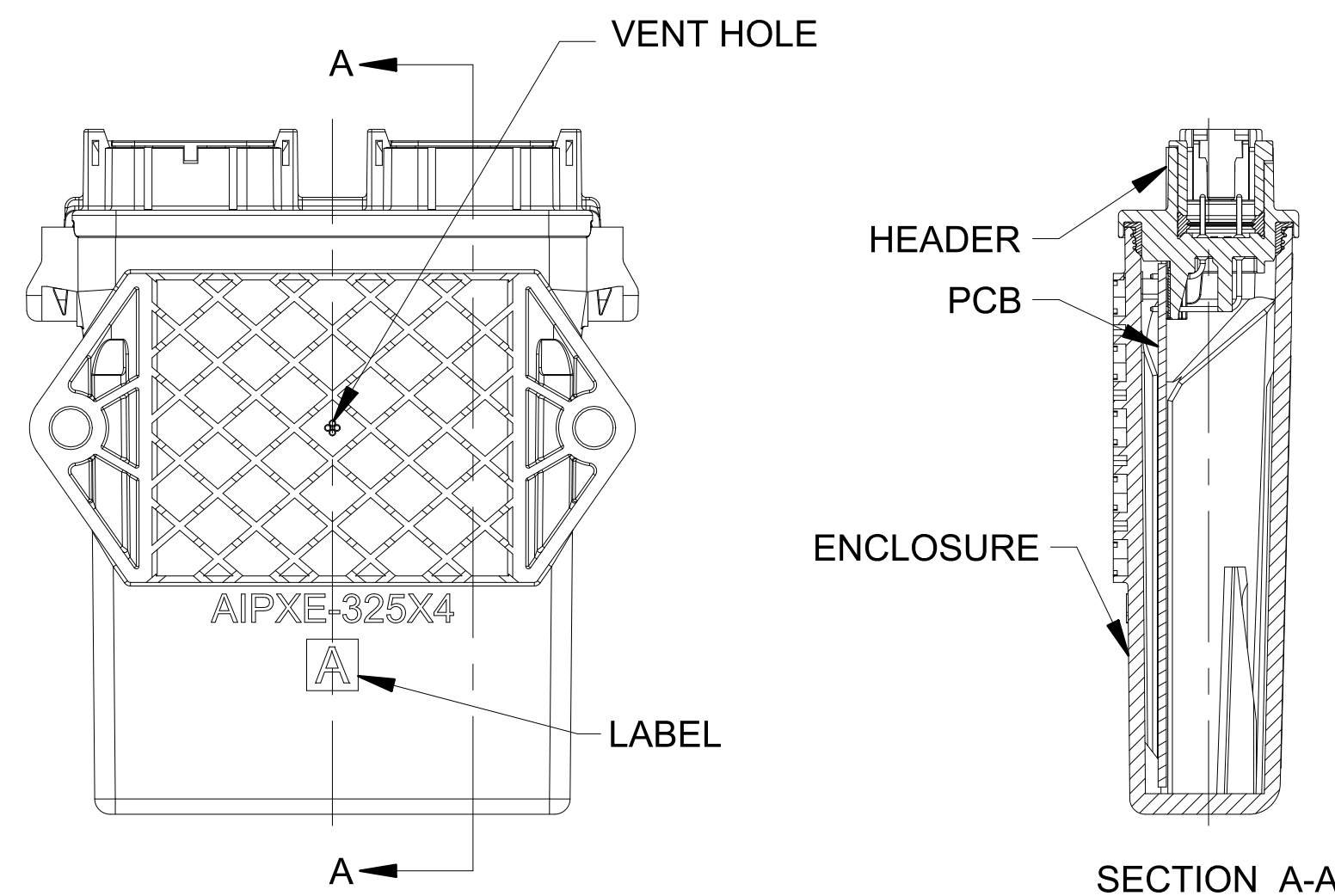
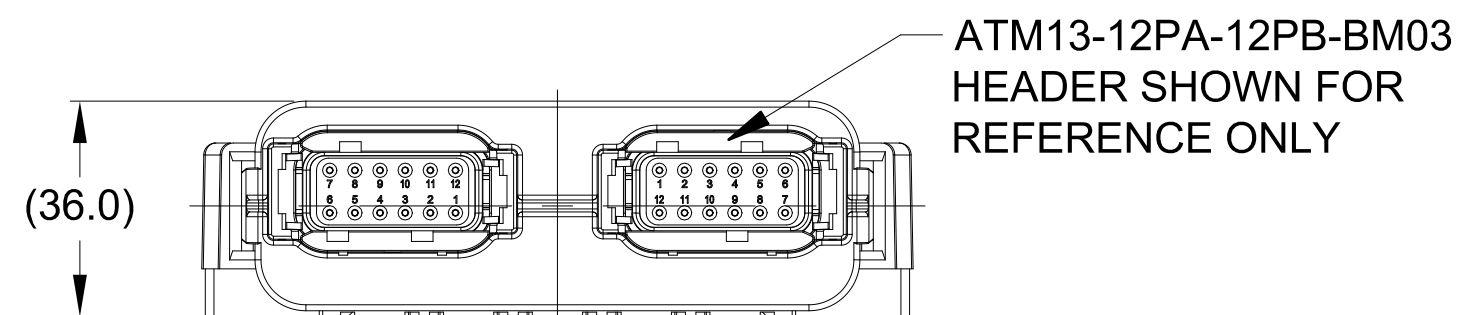
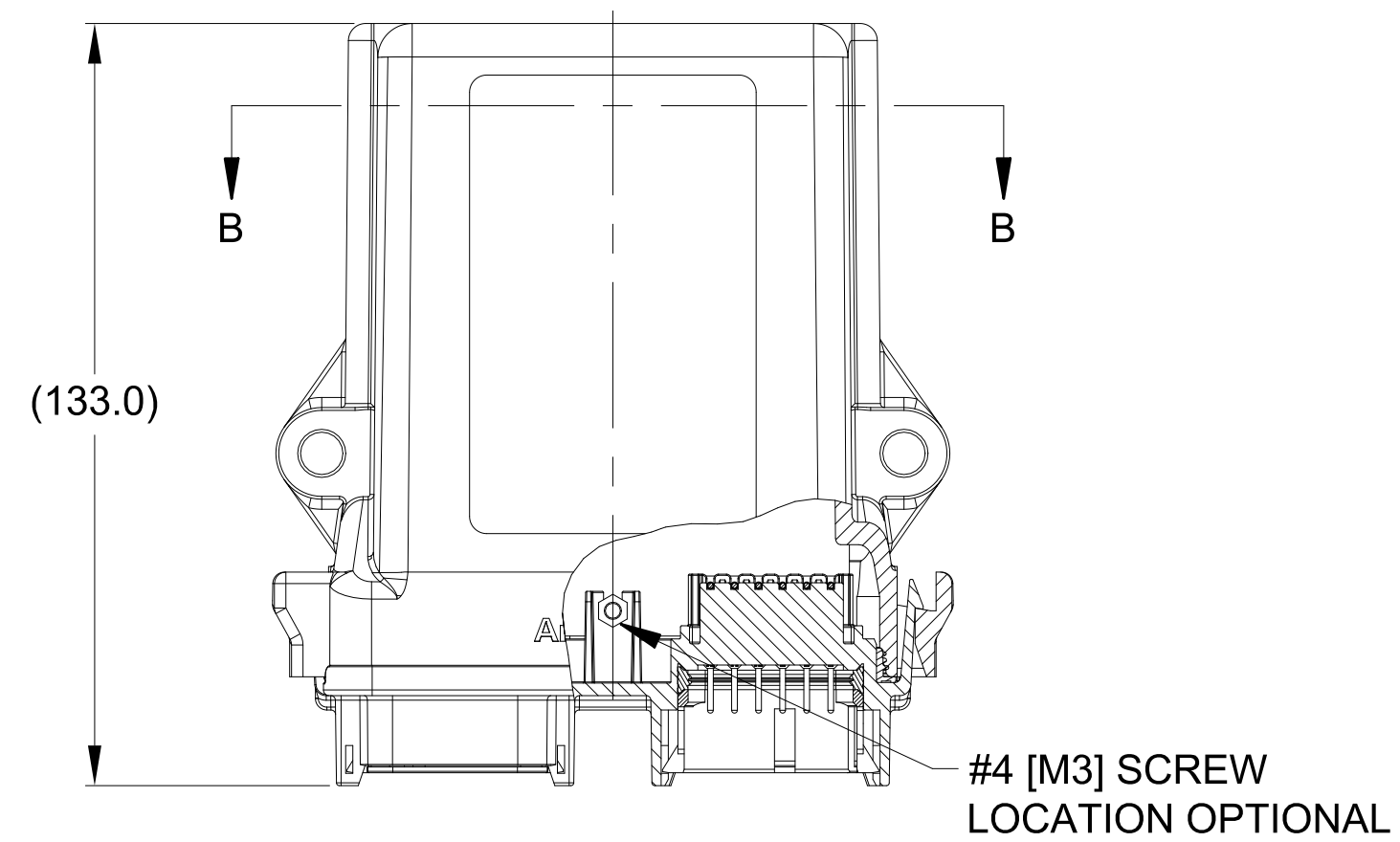
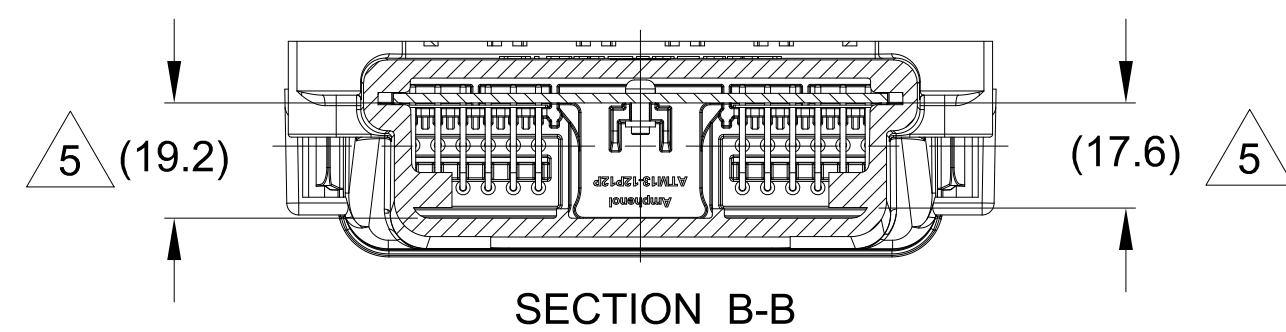


CIRCUIT BOARD HOLE LOCATIONS
AND KEEP CLEAR AREAS FOR
ATM13-12Px-12Px-BM01
ATM13-12Px-12Px-BM03
ALL DIMENSIONS REFERENCE
TOP VIEW



THREE DIMENSIONAL SPACE LIMIT
APPROXIMATE INTERNAL SPACE
FOR COMPONENT SPACE LAYOUT
MAX. COMPONENT HEIGHT UNDER BOARD 2.00 mm.

ASSEMBLED HEADER SHOWN FOR REFERENCE



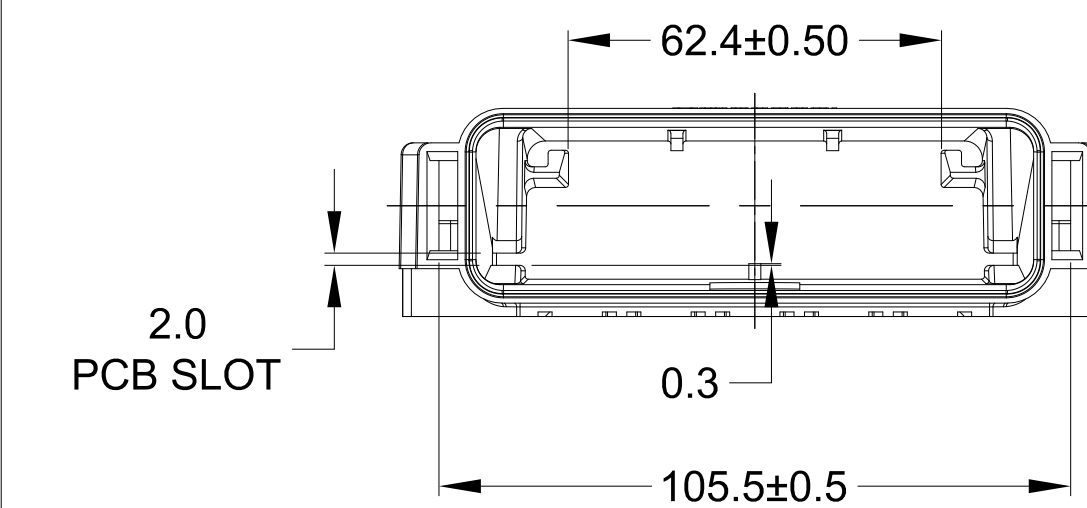
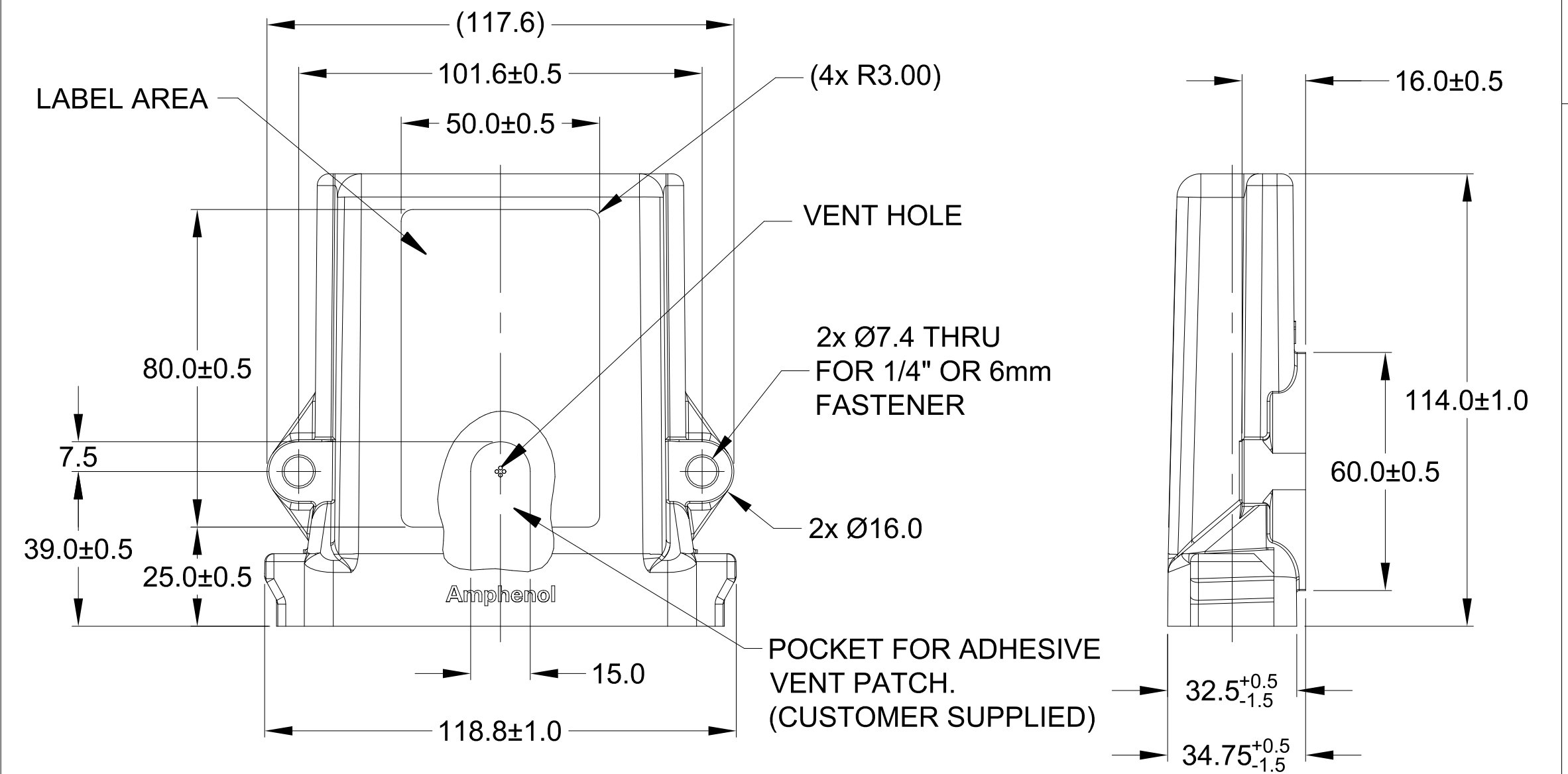
3D VIEW
ATM13-12Px-12Px-BM01 AND
ATM13-12Px-12Px-BM03 HEADER AND MOUNTING
HARDWARE SHOWN FOR REFERENCE

NOTES: UNLESS OTHERWISE SPECIFIED

- MATERIAL: CLEAR NATURAL POLYCARBONATE
- THIS ENCLOSURE MATES WITH ATM13-12Px-12Px-BM0* & ATM13-12Px-GR01 / R008 HEADER AND AIPXE-325XBP-01. (x= A,B,C,D KEYS, *=ALL MODIFICATIONS)
- RoHS COMPLIANT
- ALL DIMENSIONS ARE FOR REFERENCE USE ONLY.
- MAXIMUM COMPONENT HEIGHT DEPENDS ON LOCATION DUE TO PART DRAFT AND RIBS.

REVISIONS

REV	ECO	DESCRIPTION	DATE	BY	APPR
A1	-	RELEASE NEW DRAWING	08APR19	SULLEN	TOMMY
A2	-	UPDATED DRAWING	10DEC9	SULLEN	TOMMY
A3	-	UPDATED SPACE LIMIT DIMENSION	15JAN20	SULLEN	TOMMY
A4	-	UPDATED DIMENSIONS	15NOV21	MILO	TOMMY



PART NUMBER CHART

LABEL	VENT HOLE	PART NUMBER
A	WITH VENT HOLES	AIPXE-325X4A-E017
B	WITHOUT VENT HOLES	AIPXE-325X4B-E017

QUANTITY	PART NUMBER	DESCRIPTION	ITEM

MATERIALS LIST

UNLESS OTHERWISE SPECIFIED
1) All dimensions are in metric (mm).
2) Tolerances are as follows:
1 PL DEC ±0.30
2 PL DEC ±0.15
3 PL DEC ±0.08
Fractions ±1/64
Angles ±1°
3) Note reference = X

SIGNATURES
DRAWN: MILO DONG 15NOV21
CHECKED: SULLEN 16NOV21
ENGINEER: VITO LI 17NOV21
APPROVAL: TOMMY XIE 18NOV21

MATERIAL SPECIFICATIONS:
CUSTOMER:

PROCESS SPECIFICATIONS:
THIS DRAWING IS SUPPLIED FOR INFORMATION ONLY. DESIGN FEATURES, SPECIFICATIONS AND PERFORMANCE DATA SHOWN HEREON ARE THE PROPERTY OF THE AMPHENOL CORPORATION. NO RIGHTS OF REPRODUCTION ARE IMPLIED. ALL DIMENSIONS ARE SUBJECT TO NORMAL MANUFACTURING VARIATIONS.

NEXT ASSY:

Amphenol
Sine Systems - www.amphenol-sine.com
44724 Morley Drive
Clinton Township, MI 48036

ARMOR IPX PCB ENCLOSURE, CLEAR,
SHOWN WITH 24 PIN HEADER

SIZE: B C-
TYPE: A4
DWG NO: AIPXE-325X4x-E017
REVISION: A4
SCALE: NONE
SHEET 1 OF 1

TITLE: ARMOR IPX PCB ENCLOSURE CLEAR SHOWN WITH 24 PIN HEADER

DWG NO:

AIPXE-325X4x-E017

REV: A4

SH: 1

OF: 1