

SACC-E-M12MSD-4PL-M20 PN - Panel feed-through



1139796

<https://www.phoenixcontact.com/us/products/1139796>

Please be informed that the data shown in this PDF document is generated from our online catalog. Please find the complete data in the user documentation. Our general terms of use for downloads are valid.



Panel feed-through, PROFINET, 4-position, shielded, Plug straight M12, D, Front mounting, M20 x 1,5, Push-lock spring connection, knurl material: Brass, nickel-plated, Flat nut included

Your advantages

- Easy and tool-free connection with Push-Lock connection
- Easy assignment of individual conductors with color coding and numerical marking of contact holder levers
- Conveniently connect stranded conductors, thanks to lever
- Reliable and quick connection of electric cables

Commercial data

Item number	1139796
Packing unit	1 pc
Minimum order quantity	1 pc
Sales key	BF33
Product key	BF2CFN
GTIN	4063151221287
Weight per piece (including packing)	30.5 g
Weight per piece (excluding packing)	30.5 g
Customs tariff number	85366990
Country of origin	DE

SACC-E-M12MSD-4PL-M20 PN - Panel feed-through



1139796

<https://www.phoenixcontact.com/us/products/1139796>

Technical data

Notes

General	NOTE: Observe the permissible bending radii when laying conductors, since the degree of protection may be put in jeopardy if the bending forces are too high. Alleviate mechanical loads upstream of the connector, e.g. by using cable ties.
General	The electrical and mechanical data specified assume that the connector pair is correctly locked and mounted. If the connector is unlocked and if there is a danger of contamination, the connector must be sealed using a protective cap > IP54. Influences arising from litz wires, cables or PCB assembly must also be taken into consideration.
General	This product corresponds to the PROFINET Cabling and Interconnection Technology Guideline for PROFINET regulations, version 2.00, order no: 2.252, Chapter 8.2 Connectors for Outside Environment (Balanced cabling)

Mounting

Mounting type	Front mounting M20 x 1,5
Assembly instructions	The wires can be connected both with ferrules and without ferrules
Connection method	Push-lock spring connection

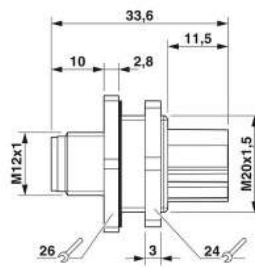
Product properties

Product type	Circular connectors (device side)
Sensor type	PROFINET
Number of positions	4
No. of cable outlets	1
Coding	D
Cable outlet	straight

Insulation characteristics

Overvoltage category	II
Degree of pollution	3

Dimensions

Dimensional drawing	
Length	21 mm

SACC-E-M12MSD-4PL-M20 PN - Panel feed-through



1139796

<https://www.phoenixcontact.com/us/products/1139796>

Housing

Diameter housing	29 mm
------------------	-------

Material specifications

Material	PA 6
Flammability rating according to UL 94	V0
Contact material	CuSn
Contact surface material	Ni/Au
Contact carrier material	PA 6.6
Material for screw connection	Brass, nickel-plated

Electrical properties

Rated surge voltage	1.5 kV
Contact resistance	$\leq 5 \text{ m}\Omega$
Insulation resistance	$\geq 100 \text{ M}\Omega$
Nominal voltage U_N	48 V AC 60 V DC
Nominal current I_N	4 A (2 A when using 0.14 mm ² conductors)

Connection data

Conductor connection

Connection method	Push-lock spring connection
Contact connection type	Pin
Conductor cross section flexible	0.14 mm ² ... 0.75 mm ²
Cross section AWG	26 ... 18
Tightening torque	2 Nm

Mechanical properties

Mechanical data

Insertion/withdrawal cycles	≥ 100
-----------------------------	------------

Connector

Connection 1

Head design	Plug
Head cable outlet	straight
Head thread type	M12
Coding	D

Cable/line

Signal type/category	PROFINET
Stripping length of the individual wire	7 mm

Environmental and real-life conditions

SACC-E-M12MSD-4PL-M20 PN - Panel feed-through



1139796

<https://www.phoenixcontact.com/us/products/1139796>

Ambient conditions

Degree of protection	IP67
Ambient temperature (operation)	-40 °C ... 85 °C (Plug / socket)

Standards and regulations

M12

Standard designation	M12 connector
Standards/specifications	IEC 61076-2-101

SACC-E-M12MSD-4PL-M20 PN - Panel feed-through

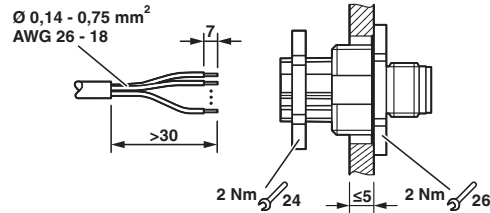


1139796

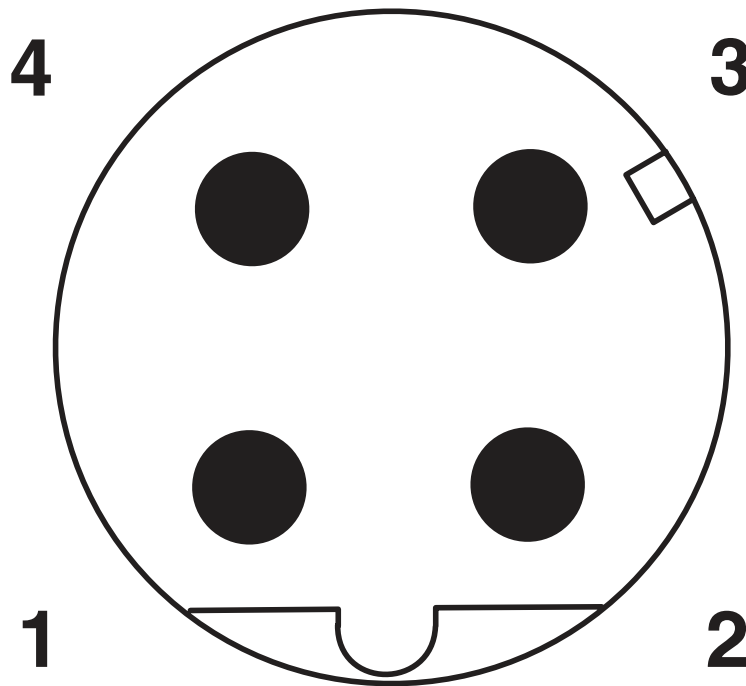
<https://www.phoenixcontact.com/us/products/1139796>

Drawings

Functional drawing

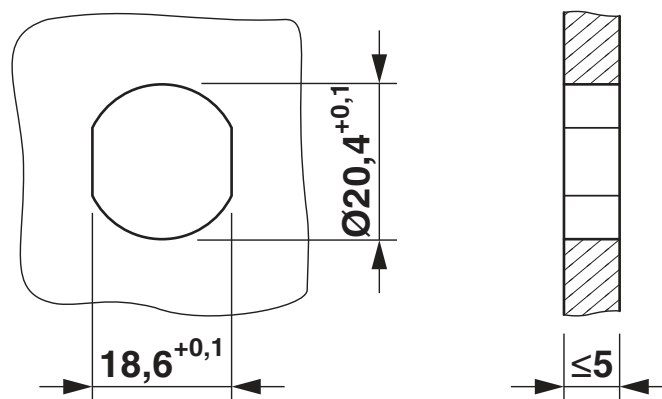


Schematic diagram



Pin assignment M12 male connector, 4-pos., D-coded, male side

Drilling plan/solder pad geometry



Housing cutout for M20 fastening thread, mounting panel with thread

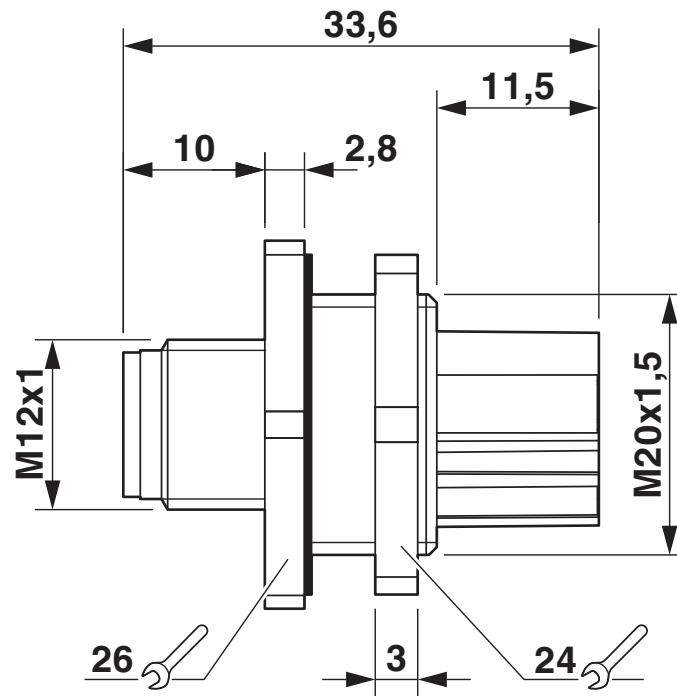
SACC-E-M12MSD-4PL-M20 PN - Panel feed-through



1139796

<https://www.phoenixcontact.com/us/products/1139796>

Dimensional drawing



M12 flush-type plug

SACC-E-M12MSD-4PL-M20 PN - Panel feed-through




1139796

<https://www.phoenixcontact.com/us/products/1139796>

Approvals

To download certificates, visit the product detail page: <https://www.phoenixcontact.com/us/products/1139796>

 **UL Listed**
Approval ID: E221474

 **cUL Listed**
Approval ID: E221474

cULus Listed

SACC-E-M12MSD-4PL-M20 PN - Panel feed-through



1139796

<https://www.phoenixcontact.com/us/products/1139796>

Classifications

ECLASS

ECLASS-11.0	27440109
ECLASS-12.0	27440109
ECLASS-13.0	27440109

ETIM

ETIM 8.0	EC003569
----------	----------

UNSPSC

UNSPSC 21.0	39121400
-------------	----------

SACC-E-M12MSD-4PL-M20 PN - Panel feed-through



1139796

<https://www.phoenixcontact.com/us/products/1139796>

Environmental product compliance

China RoHS	Environmentally friendly use period: unlimited = EFUP-e
	No hazardous substances above threshold values

SACC-E-M12MSD-4PL-M20 PN - Panel feed-through



1139796

<https://www.phoenixcontact.com/us/products/1139796>

Accessories

SACC-M12FSD-4PL SH PN - Connector

1424683

<https://www.phoenixcontact.com/us/products/1424683>



Connector, PROFINET CAT5 (100 Mbps), 4-position, shielded, Socket straight M12, D, Push-lock spring connection, knurl material: Zinc die-cast, nickel-plated, external cable diameter 4 mm ... 8 mm

SACC-M12FRD-4PL SH PN - Connector

1424685

<https://www.phoenixcontact.com/us/products/1424685>



Connector, PROFINET CAT5 (100 Mbps), 4-position, shielded, Socket angled M12, D, Push-lock spring connection, knurl material: Zinc die-cast, nickel-plated, external cable diameter 4 mm ... 8 mm

SACC-E-M12MSD-4PL-M20 PN - Panel feed-through



1139796

<https://www.phoenixcontact.com/us/products/1139796>

PROT-M12 FS - Sealing cap

1560251

<https://www.phoenixcontact.com/us/products/1560251>



M12 sealing cap for unoccupied M12 plugs of the sensor/actuator cable, flush-type plugs and I/O devices in the field

PROT-M12 FS-M - Sealing cap

1430488

<https://www.phoenixcontact.com/us/products/1430488>



M12 metal sealing cap for unoccupied M12 plugs of the sensor/actuator cable, flush-type plugs and I/O devices in the field

SACC-E-M12MSD-4PL-M20 PN - Panel feed-through



1139796

<https://www.phoenixcontact.com/us/products/1139796>

VS-OE-OE-93B/... - Data cable

1417362

<https://www.phoenixcontact.com/us/products/1417362>



Data cable, PROFINET CAT5 (100 Mbps), 4-position, shielded, free cable end, on free cable end, cable length: Free entry (0.5 ... 400 m)

VS-OE-OE-93C/... - Data cable

1417491

<https://www.phoenixcontact.com/us/products/1417491>



Data cable, PROFINET CAT5 (100 Mbps), 4-position halogen-free, shielded, free cable end, on free cable end, cable length: Free entry (0.5 ... 400 m)

SACC-E-M12MSD-4PL-M20 PN - Panel feed-through



1139796

<https://www.phoenixcontact.com/us/products/1139796>

VS-OE-OE-936/... - Data cable

1417375

<https://www.phoenixcontact.com/us/products/1417375>



Data cable, PROFINET CAT5 (100 Mbps), 4-position halogen-free, shielded, free cable end, on free cable end, cable length: Free input (0.5 ... 100 m)

VS-OE-OE-937/... - Data cable

1402687

<https://www.phoenixcontact.com/us/products/1402687>



Data cable, PROFINET CAT5 (100 Mbps), 4-position halogen-free, shielded, free cable end, on free cable end, cable length: Free entry (0.5 ... 400 m)

SACC-E-M12MSD-4PL-M20 PN - Panel feed-through



1139796

<https://www.phoenixcontact.com/us/products/1139796>

AI 0,25- 6 YE - Ferrule

3203024

<https://www.phoenixcontact.com/us/products/3203024>



Ferrule, sleeve length: 6 mm, length: 10.5 mm, color: yellow

A 0,25- 7 - Ferrule

3202478

<https://www.phoenixcontact.com/us/products/3202478>



Ferrule, length: 7 mm, color: silver

SACC-E-M12MSD-4PL-M20 PN - Panel feed-through



1139796

<https://www.phoenixcontact.com/us/products/1139796>

A 0,34- 7 - Ferrule

3009202

<https://www.phoenixcontact.com/us/products/3009202>



Ferrule, length: 7 mm, color: silver

A 0,5 - 6 - Ferrule

3200218

<https://www.phoenixcontact.com/us/products/3200218>



Ferrule, length: 6 mm, color: silver

SACC-E-M12MSD-4PL-M20 PN - Panel feed-through



1139796

<https://www.phoenixcontact.com/us/products/1139796>

AI 0,5 - 6 WH - Ferrule

3200687

<https://www.phoenixcontact.com/us/products/3200687>



Ferrule, sleeve length: 6 mm, length: 12 mm, color: white

WIREFOX 2,5 - Stripping tool

1212368

<https://www.phoenixcontact.com/us/products/1212368>



Stripping tool, for conductors and cables with a conductor cross section from 0.08 to 2.5 mm, self-adjusting, stripping length adjustable up to 15 mm, cutting capacity up to 6 mm² stranded/1.5 mm² solid

SACC-E-M12MSD-4PL-M20 PN - Panel feed-through



1139796

<https://www.phoenixcontact.com/us/products/1139796>

WIREFOX SAC - Stripping tool

1212623

<https://www.phoenixcontact.com/us/products/1212623>



Stripping pliers, for halogen-free sensor/actuator cables (SAC cables), with PUR and PVC insulation, from Ø of 4.4 to 7 mm, any stripping length

VS-CABLE-STRIP-VARIO - Stripping tool

1657407

<https://www.phoenixcontact.com/us/products/1657407>

Stripping tool, for the multi-level stripping of shielded cables



SACC-E-M12MSD-4PL-M20 PN - Panel feed-through



1139796

<https://www.phoenixcontact.com/us/products/1139796>

CRIMPFOX 6H - Crimping pliers

1212046

<https://www.phoenixcontact.com/us/products/1212046>



Crimping pliers, for ferrules without insulating collar according to DIN 46228 Part 1 and ferrules with insulating collar according to DIN 46228 Part 4, 0.14 mm² ... 6 mm², unlockable pressure lock, lateral entry

Phoenix Contact 2023 © - all rights reserved

<https://www.phoenixcontact.com>

Phoenix Contact USA
586 Fulling Mill Road
Middletown, PA 17057, United States
(+717) 944-1300
info@phoenixcon.com