

PART NAME: SLIDE KNOB

SCALE: 2:1

DATE: 9/19/17

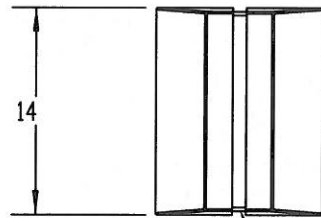
DR. BY: JAM



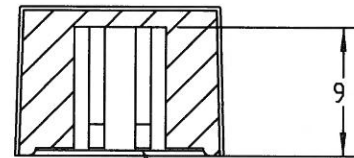
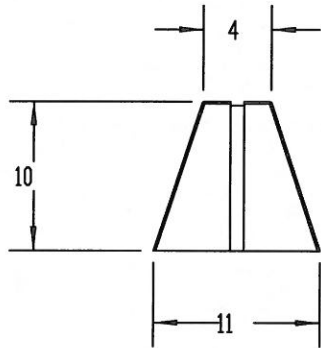
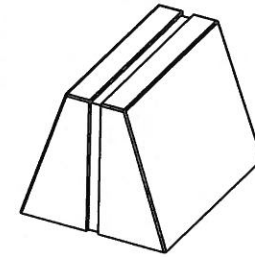
DESIGNERS & MANUFACTURERS  
OF KNOBS, HANDLES, CASES &  
CUSTOM PLASTIC COMPONENTS

P/N 1300-A

THIS DRAWING IS THE PROPERTY OF DAVIES MOLDING COMPANY, IS SUBMITTED SOLELY AS A DESIGN OR ENGINEERING PROJECT.  
WE ACCEPT NO RESPONSIBILITY WHATSOEVER FOR THE PRACTICAL APPLICATION OF THE PIECES MADE TO THIS DESIGN.

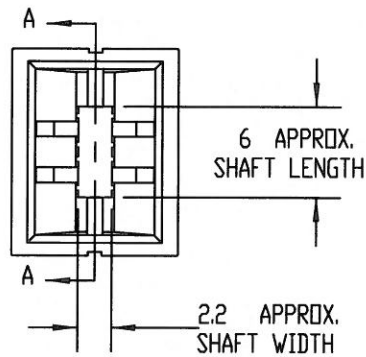


INDICATOR LINE PAINT FILLED  
IN WHITE ON TOP & SIDES OF PART



INTERFERENCE RIBS (6)

SECTION A-A



MATERIAL: NYLON  
COLOR: BLACK