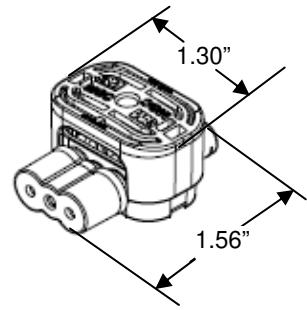


3M™ Moisture Guard Connector (MGC)

Insulation Displacement Connector



Data Sheet

January 2010

Applications

The 3M™ Moisture Guard Connector is designed for use in the installation and repair of Irrigation and Landscape Lighting systems or other applications requiring moisture and UV protection. The connector will connect and provide protection for two or three conductors.

NOTE: Not recommended for submersible applications

Specifications

Maximum Voltage Rating	600 V maximum building wire 1000 V maximum signs, fixtures and luminaries
Maximum Operating Temperature	105° C
Flammability	UL94 V2
C UL Listed	File # E23438

Construction:

Body	UV Resistant Polycarbonate
Element	Tin Plated Brass .035 in thick
Barrier Cap	TPE
Grease	Mineral Oil Base EG3

Wire Range:

Outside Ports	12 AWG str 14-16 AWG sol/str (2,5mm ² – 1,0mm ²) Maximum Insulation Diameter: .210 inches
Inside Port	18 AWG sol/str (0,75mm ²), 20 AWG str (0,5 mm ²) Maximum Insulation Diameter: .150 inches

Note: For use with common thermoplastic insulation types, Copper Conductors Only
C UL Listed with AWG Sizes only.

Installation

Warning

Turn power off before installing or removing terminal. All electrical work should be done according to appropriate electrical codes.

Recommended Installation Tools : Large slip joint pliers

1. Insert un-stripped conductors into applicable ports. Visually check that the conductors are inserted all the way to the end of the connector.
2. Position tool in the center of the cap perpendicular to conductors.
3. Make the connection by pushing the cap down so the sides of the cap are flush with the bottom of connector and you hear the "click" of the alignment tabs locking into place.

NOTE: If the cap is pushed down during shipping and blocks the wire port, lift the cap until the element is out of the wire path.

Installation Tips:

- 1) Cut insertion ends of wire at an angle to help puncture through the rubber barrier cap.
- 2) Keep fingers close to the end of the wire when pushing the wire through the rubber barrier cap.

3M™ Moisture Guard Connector (MGC)

Shelf Life & Storage	This product has a 5-year shelf life from date of manufacture when stored in a humidity controlled storage (10°C/50°F to 27°C/80°F and <75% relative humidity).
Availability	Please contact your local distributor; available from 3M.com/electrical [Where to Buy] or call 1-800-245-3573.

Important Notice	All statements, technical information, and recommendations related to 3M's products are based on information believed to be reliable, but the accuracy or completeness is not guaranteed. Before using this product, you must evaluate it and determine if it is suitable for your intended application. You assume all risks and liability associated with such use. Any statements related to the product, which are not contained in 3M's current publications, or any contrary statements contained on your purchase order, shall have no force or effect unless expressly agreed upon, in writing, by an authorized officer of 3M.
-------------------------	-----------------------------------------------------------------------------------------------------------------------------------------------------------------------------------------------------------------------------------------------------------------------------------------------------------------------------------------------------------------------------------------------------------------------------------------------------------------------------------------------------------------------------------------------------------------------------------------------------------------------------------------

Warranty; Limited Remedy; Limited Liability	This product will be free from defects in material and manufacture at the time of purchase. 3M MAKES NO OTHER WARRANTIES INCLUDING, BUT NOT LIMITED TO, ANY IMPLIED WARRANTY OF MERCHANTABILITY OR FITNESS FOR A PARTICULAR PURPOSE. If this product is defective within the warranty period stated above, your exclusive remedy shall be, at 3M's option, to replace or repair the 3M product or refund the purchase price of the 3M product. Except where prohibited by law, 3M will not be liable for any indirect, special, incidental or consequential loss or damage arising from this 3M product, regardless of the legal theory asserted.
----------------------------------------------------	---------------------------------------------------------------------------------------------------------------------------------------------------------------------------------------------------------------------------------------------------------------------------------------------------------------------------------------------------------------------------------------------------------------------------------------------------------------------------------------------------------------------------------------------------------------------------------------------------------------------------------------------------

3M is a trademark of 3M Company.



Electrical Markets Division
6801 River Place Blvd.
Austin, TX 78726-9000
800 245 3573
FAX: 800 245 0329
www.3M.com/electrical

Please recycle
© 3M 2010 All rights reserved
78-8126-9001-0 C