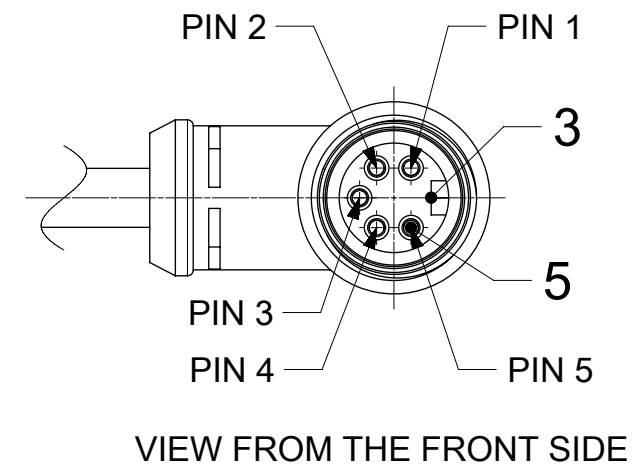
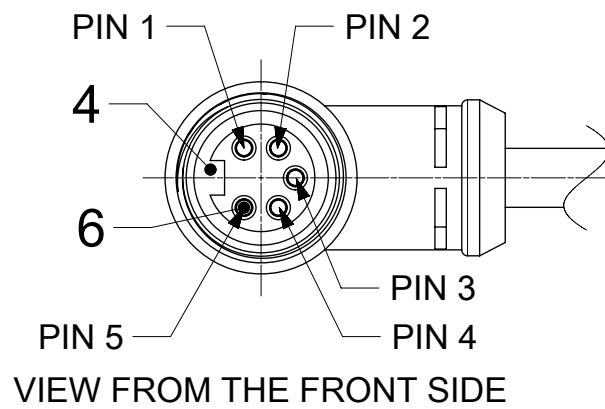
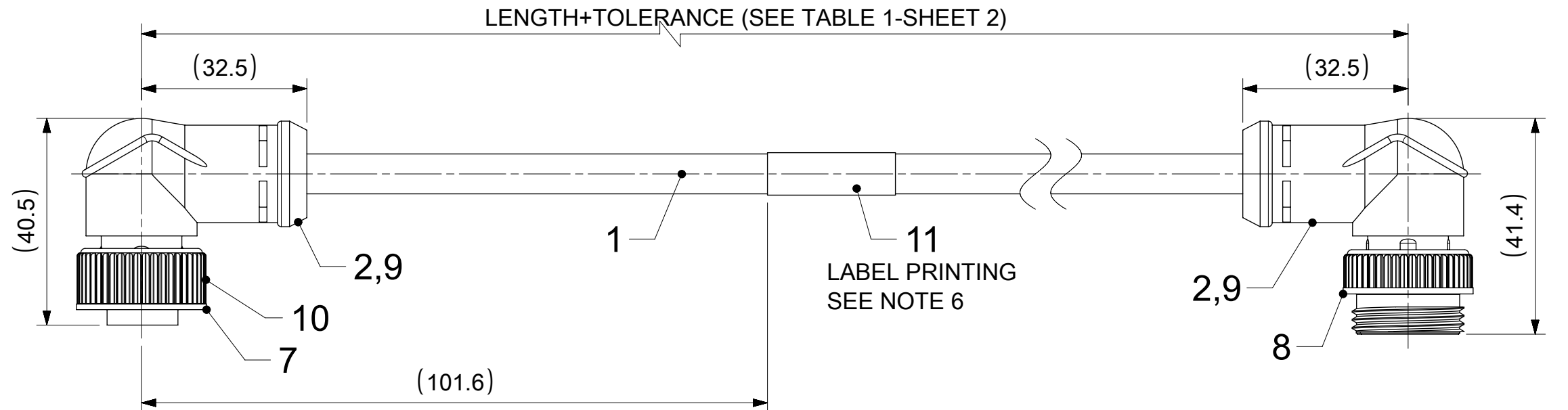


NOTES:

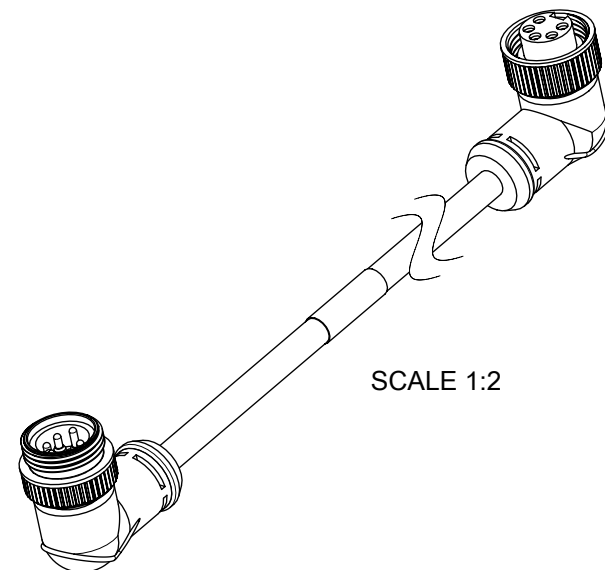
1. MATERIAL: AS NOTED
2. FINISH: AS NOTED
3. ELECTRICAL:
CABLE TYPE (SEE SHEET 2)
CURRENT: 10 A
4. PROTECTION: IP67 (WHEN MATED)
5. UL CERTIFICATION: UL LISTED, FILE NO. E152210
6. LABEL PRINTING ACC. STANDARD LABEL INSTRUCTION (SEE SHEET 2)

WIRING DIAGRAM



BILL OF MATERIAL

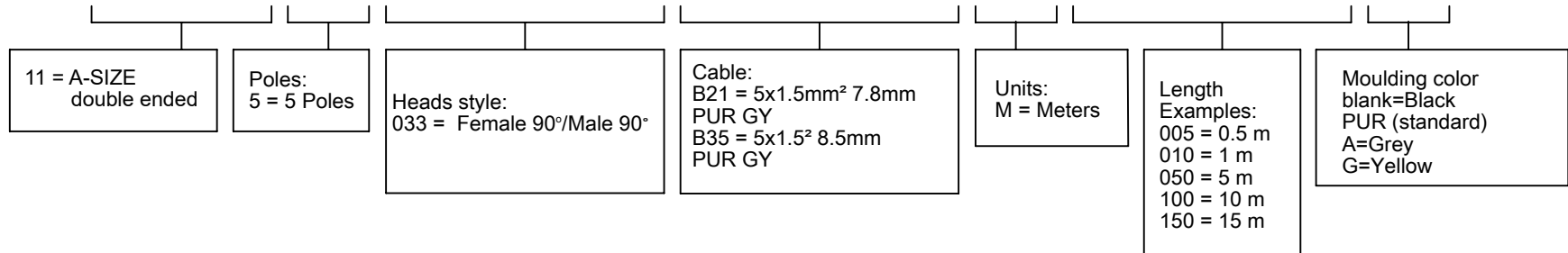
ITEM	QTY	DESCRIPTION	MATERIAL	FINISH/COLOR
11	1	LABEL;2.0X1.75;WRAP	VINYL	YELLOW
10	1	FRICTION RING - A SIZE	NYLON	-
9	-	TAPE;0.165MMx9MM	POLYSILOXANE	WHITE
8	1	MC COUPLING NUT A-SIZE	ZINC	BLACK
7	1	COUPLING NUT MC A-SIZE EXT. THD	ZINC	BLACK
6	5	MC SOCKET SLEEVE ASSY, 16 AWG	BRASS	GOLD
5	5	MC PIN CONTACT 16AWG	BRASS	GOLD
4	1	5P FEMALE INSERT A SIZE	PUR	BLACK
3	1	5P MALE INSERT A SIZE	PUR	BLACK
2	-	MOULDING MATERIAL	TPU	BLACK
1	-	CABLE 5/C, OD=8.5mm	TPU	GRAY



FUNCTIONAL SYMBOLS	THIS DRAWING CONTAINS INFORMATION THAT IS PROPRIETARY TO MOLEX ELECTRONIC TECHNOLOGIES, LLC AND SHOULD NOT BE USED WITHOUT WRITTEN PERMISSION									
	△/A = 0	mm				SCALE 1:1	CURRENT REV DESC: NOTES AND CABLE SPEC UPDATED, LABEL PRINTING ADDED			
DIVISIONAL SYMBOLS	GENERAL TOLERANCES (UNLESS SPECIFIED)		EC NO: 747270							
	△/E = 0	4 PLACES	±	DRWN: RSCHIEBER	2023/04/21					
	△/V = 0	3 PLACES	±	CHK'D: RSILLER	2023/04/27					
		2 PLACES	±	APPR: RSILLER	2023/04/27					
		1 PLACE	±	INITIAL REVISION:						
	0 PLACES	±	DRWN: RSTONE	2013/12/09						
DRAFT WHERE APPLICABLE MUST REMAIN WITHIN DIMENSIONS		THIRD ANGLE PROJECTION	DRAWING	SERIES	MATERIAL NUMBER	CUSTOMER	DOCUMENT NUMBER	DOC TYPE	DOC PART	REVISION
			A3-SIZE	130010	SEE TABLE 1	GENERAL MARKET	SD-130010-031	PSD	001	A3
										SHEET NUMBER 1 OF 2

PART No. MATRIX

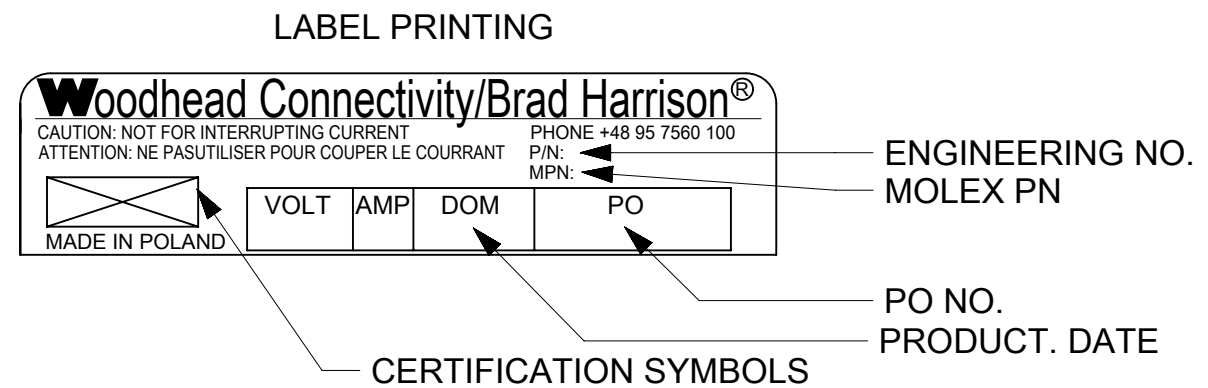
1 1 5 0 3 3 B X X M X X X X



CABLE TYPE	No. OF WIRES	CROSS SECTION	CABLE JACKET	UL	CSA	STATIC: TEMP. / BENDING RADIUS	DYNAMIC: TEMP / BENDING RADIUS	VOLTAGE
B21	5	1.5 mm ²	TPU GREY	UL STYLE 758	C22.2	-40°C to + 80°C	-5 °C TO +80 °C	300 V
B35	5	1.5 mm ²	TPU GREY	UL STYLE 758	C22.2	-40°C to + 90°C	-25 °C TO +80 °C	600 V

TABLE 1

MOLEX PN	ENGINEERING NO.	L+Tol.[mm]
1300108036	115033B21M010	1000 +56
1300108037	115033B21M020	2000 +89
1300108038	115033B21M030	3000 +89
1300108039	115033B21M050	5000 +165
1300108040	115033B21M100	10000 +317
1300108041	115033B21M150	15000 +610
1300108042	115033B21M200	20000 +610
1300108051	115033B35M010	1000 +56
1300108052	115033B35M020	2000 +89
1300108053	115033B35M030	3000 +89
1300108054	115033B35M050	5000 +165
1300108055	115033B35M100	10000 +317
1300108056	115033B35M150	15000 +610
1300108057	115033B35M200	20000 +610



FUNCTIONAL SYMBOLS FA = 0 FE = 0 FE = 0	THIS DRAWING CONTAINS INFORMATION THAT IS PROPRIETARY TO MOLEX ELECTRONIC TECHNOLOGIES, LLC AND SHOULD NOT BE USED WITHOUT WRITTEN PERMISSION	CURRENT REV DESC: NOTES AND CABLE SPEC UPDATED, LABEL PRINTING ADDED		molex		
	DIMENSION UNITS: mm	SCALE: 1:1	CSE MC 5P A-SIZE FE RA MA RA TPU XM			
	GENERAL TOLERANCES (UNLESS SPECIFIED)			PRODUCT CUSTOMER DRAWING		
	ANGULAR TOL ± 1.0°			DOCUMENT NUMBER: SD-130010-031		
4 PLACES ±			DOC TYPE: PSD			
3 PLACES ±			DOC PART: 001			
2 PLACES ± 0.05			REVISION: A3			
1 PLACE ± 0.3			INITIAL REVISION:			
0 PLACES ± 0.5			DRWN: RSTONE 2013/12/09			
DRAFT WHERE APPLICABLE MUST REMAIN WITHIN DIMENSIONS			APPR: JFMURPHY 2013/12/16			
THIRD ANGLE PROJECTION		DRAWING: A3-SIZE	SERIES: 130010	MATERIAL NUMBER: SEE TABLE 1	CUSTOMER: GENERAL MARKET	SHEET NUMBER: 2 OF 2