

PART NO.	A54000-025	REV	ECO	DATE	APP
		G	100650	06-17-14	TLM

MATERIAL & SPECIFICATIONS

HOUSING:
ALUMINIUM 6061-T6,
NICKEL PLATE PER SAE-
AMS-2404.

INSULATOR:
THERMOPLASTIC PER
MIL-DTL-32139.

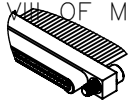
CONTACT:
BERYLLIUM COPPER PER
ASTM B194, C17200,
GOLD PLATED PER ASTM
B488, (HARD GOLD) TYPE
II CODE C, CLASS 1.27.

WIRE:
NEMA HP3 TYPE ET,
COLOR CODED IAW MIL-
STD-681, SYSTEM 1,
USING TEN SOLID
REPEATING COLORS.

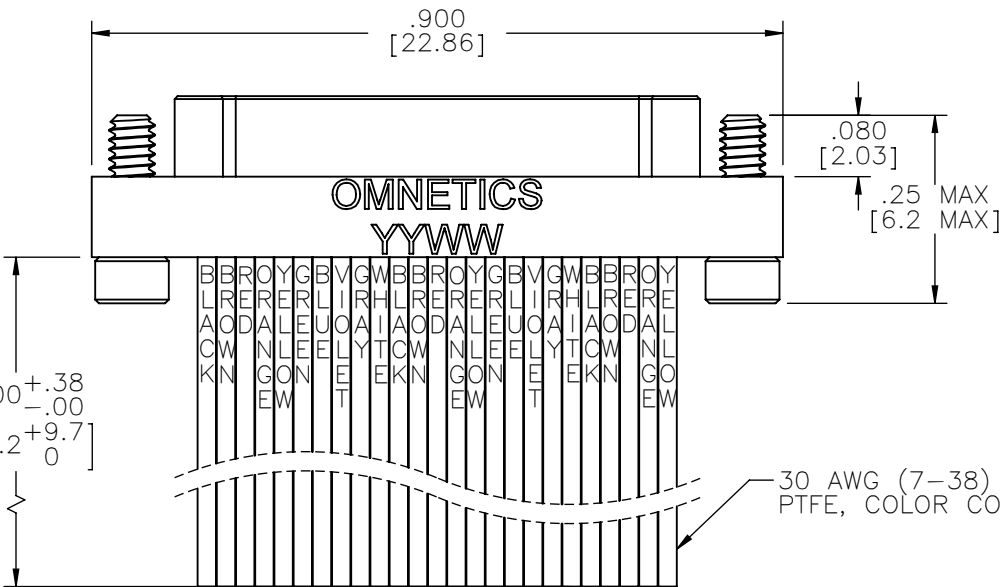
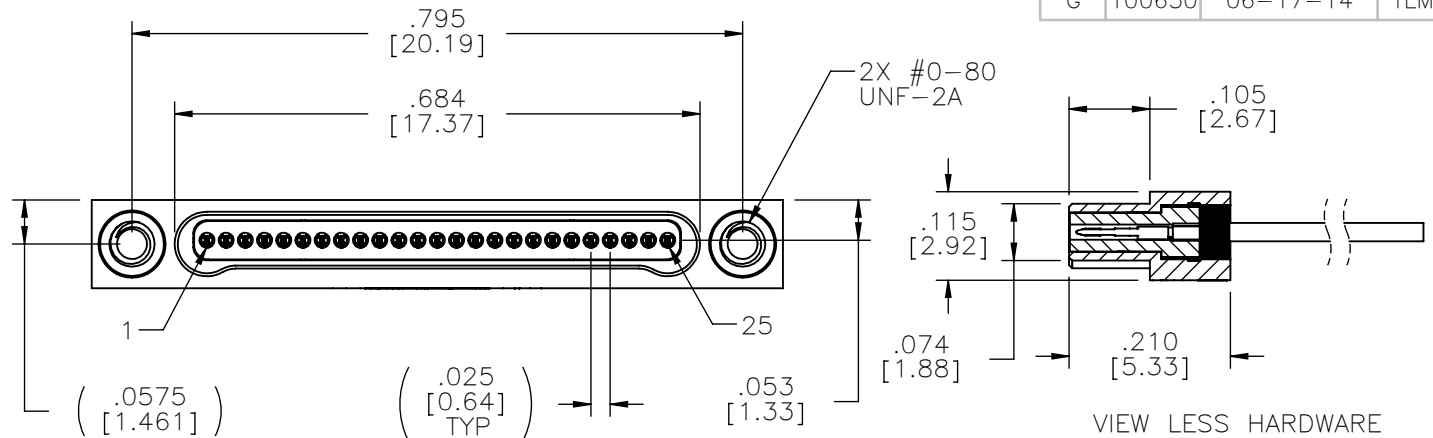
HARDWARE:
303 STAINLESS STEEL
PER ASTM 582.

CURRENT RATING:
1 AMP MAX PER MIL-
DTL-32139.

PERFORMANCE:
PRODUCT FAMILY TESTED
TO AND PASSED THE
PERFORMANCE
SPECIFICATIONS OF TABLE
VIII OF MIL-DTL-32139.



ACTUAL SIZE
EXCLUDING WIRE LENGTH



PIN #	COLOR
1, 11, 21	BLACK
2, 12, 22	BROWN
3, 13, 23	RED
4, 14, 24	ORANGE
5, 15, 25	YELLOW
6, 16	GREEN
7, 17	BLUE
8, 18	VIOLET
9, 19	GRAY
10, 20	WHITE

30 AWG (7-38)
PTFE, COLOR CODED

NOTE:

DIMENSIONS IN [] ARE IN
MILLIMETERS UNLESS
OTHERWISE NOTED AND ARE
FOR REFERENCE ONLY

MBPS	THIRD ANGLE
	-TOLERANCES-
SLDW	UNLESS OTHERWISE NOTED
	DIMENSIONS IN INCHES
	2 PL DEC ± .01
	3 PL DEC ± .005
	4 PL DEC ± .0005
	ANGLES ± 1°

THIS DRAWING CONTAINS CONFIDENTIAL AND PROPRIETARY INFORMATION WHICH IS THE PROPERTY OF OMNETICS CONNECTOR CORPORATION. THIS DOCUMENT MAY NOT, IN WHOLE OR IN PART, BE DUPLICATED, OR DISCLOSED FOR ANY PURPOSE, WITHOUT WRITTEN PERMISSION FROM OMNETICS CONNECTOR CORP.	
DFTM. MJM	DATE 03-31-11
CHK'D.	DATE
APP'D.	DATE
TITLE: (25) PIN MALE Bi-Lobe® CONNECTOR	

OMNETICS
CONNECTOR CORPORATION
7260 COMMERCE CIRCLE EAST
MINNEAPOLIS, MN 55432
WWW.OMNETICS.COM

CAGE CODE 61873
DWG NO. A54000-025
SHEET 1 OF 1
SCALE: 4:1
REV G