

注記:  
NOTES:

1. 材料及び仕上げ(めっき仕様): TABLE 1, TABLE 2 参照  
MATERIAL AND FINISHES (PLATING SPECIFICATION): SEE TABLE 1, TABLE 2.
2. 製品仕様書、コネクタ取扱説明書、適合嵌合相手、適合リテーナーはSHEET 5を  
ご参照下さい。  
PLEASE REFER TO SHEET 5 FOR PRODUCT SPECIFICATION,  
APPLICATION SPECIFICATION, MATE WITH AND APPLICABLE RETAINER.
3. 端子テール部及びネイルの平坦度: 0.1 MAXIMUM  
TAIL AND NAIL COPLANARITY TO BE 0.1 MAXIMUM
4. 偶数極に適合  
APPLY TO EVEN CIRCUIT
5. 発注番号: SHEET 5 参照  
ORDER NUMBER: PLEASE REFER TO SHEET 5

205957\*\*7\*

極数 CIRCUIT SIZE	番号 NO.	ハウジングカラー HOUSING COLOR
	0	ナチュラル(白) NATURAL(WHITE)
	1	黒 BLACK

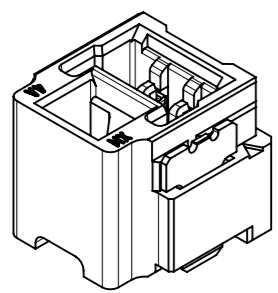
TABLE 1

番号 NO.	部品 PART	材質 MATERIAL
①	ハウジング HOUSING	ポリアミド(PA)、ガラス充填、UL94 V-0、色: SHEET 5 参照 POLYAMIDE (PA), GLASS FILLED, UL94 V-0, COLOR: SEE SHEET 5
②	ターミナル TERMINAL	黄銅 BRASS
		錫ビスマスめっき TIN-BISMUTH PLATING: 1.0 MICROMETER MINIMUM
		ニッケルめっき(下地) NICKEL (UNDER-PLATING): 1.0 MICROMETER MINIMUM
③	ネイル NAIL	黄銅 BRASS
		錫めっき MATTE TIN PLATING: 1.0 MICROMETER MINIMUM
		ニッケルめっき(下地) NICKEL (UNDER-PLATING): 1.0 MICROMETER MINIMUM
④	カバーテープ COVER TAPE	ポリイミド POLYIMIDE

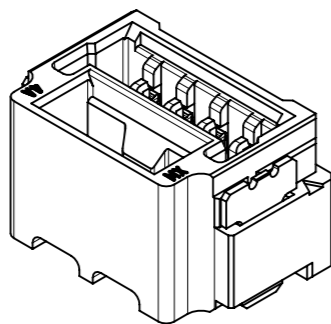
12	22.62	18.75	23.25	16
	21.37	17.5	22	15
	20.12	16.25	20.75	14
	18.87	15	19.5	13
	17.62	13.75	18.25	12
	16.37	12.5	17	11
10	15.12	11.25	15.75	10
	13.87	10	14.5	9
	12.62	8.75	13.25	8
8	11.37	7.5	12	7
	10.12	6.25	10.75	6
	8.87	5	9.5	5
7	7.62	3.75	8.25	4
5	6.37	2.5	7	3
	5.12	1.25	5.75	2
D	C	B	A	極数 CIRCUIT SIZE

THIS DRAWING CONTAINS INFORMATION THAT IS PROPRIETARY TO MOLEX ELECTRONIC TECHNOLOGIES, LLC AND SHOULD NOT BE USED WITHOUT WRITTEN PERMISSION		CURRENT REV DESC:		<b>molex</b>	
DIMENSION UNITS mm	SCALE NTS				
GENERAL TOLERANCES (UNLESS SPECIFIED)		EC NO: 736271		MICRO-LOCK PLUS 1.25 W/B SINGLE ROW VERTICAL SMT PLUG ASSEMBLY FOR POTTING	
ANGULAR TOL ± 3.0°		DRWN: SOKUMURA01 2022/12/27			
4 PLACES ± 0.2		CHK'D: SAKIYAMA 2023/02/16		PRODUCT CUSTOMER DRAWING	
3 PLACES ± 0.2		APPR: AIDA 2023/02/16			
2 PLACES ± 0.2		INITIAL REVISION:		DOCUMENT NUMBER	
1 PLACE ± 0.2		DRWN: TAKAIKE 2019/08/01		2059573000-SD	
0 PLACES ± 0.2		APPR: AIDA 2019/08/20		DOC TYPE DOC PART REVISION PSD 000 D	
DRAFT WHERE APPLICABLE MUST REMAIN WITHIN DIMENSIONS		THIRD ANGLE PROJECTION	DRAWING A3-SIZE	SERIES 205957	MATERIAL NUMBER SEE SHEET 5
				CUSTOMER GENERAL	SHEET NUMBER 1 OF 5

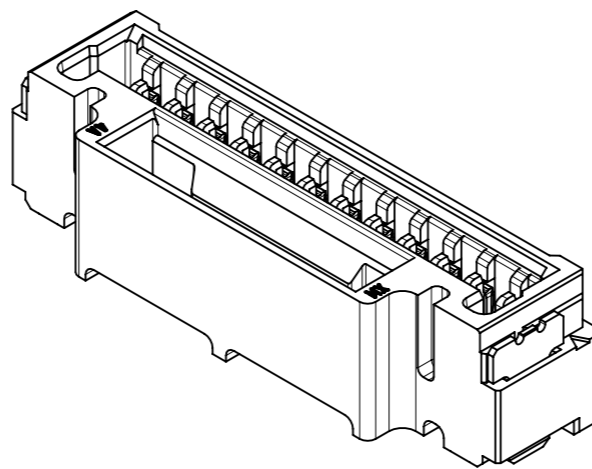
製品形状  
PRODUCT SHAPE



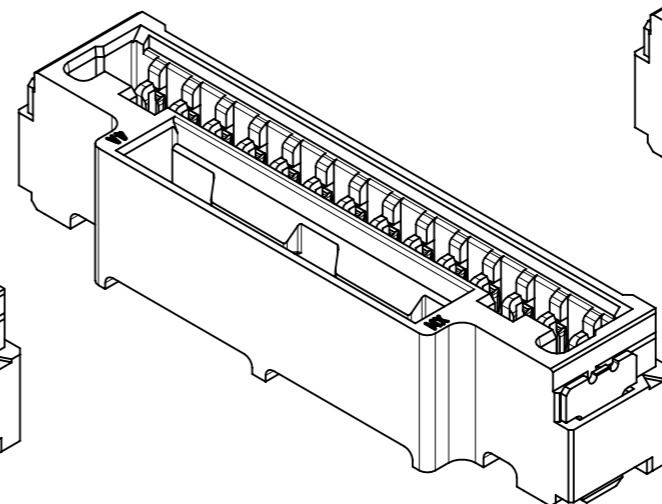
2-3極  
2-3 CIRCUIT



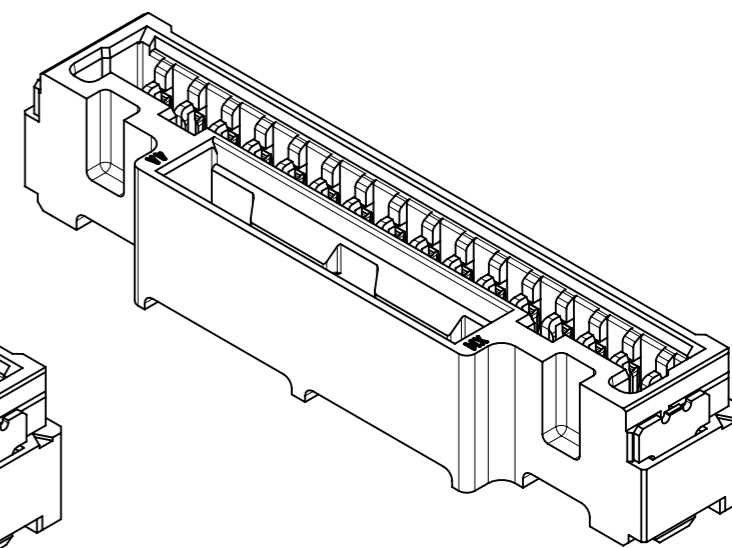
4-11極  
4-11 CIRCUIT



12-13極  
12-13 CIRCUIT

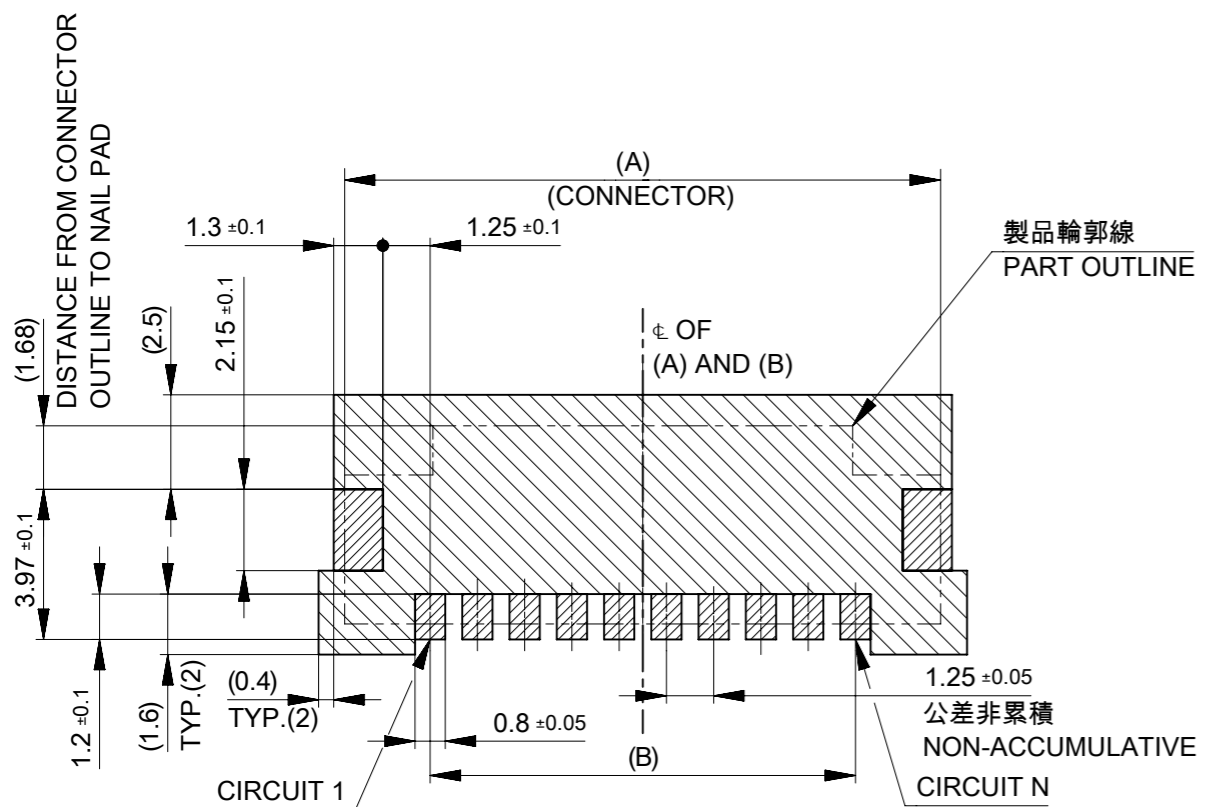


14極  
14 CIRCUIT



15-16極  
15-16 CIRCUIT

基板パターンレイアウト  
PCB PATTERN LAYOUT



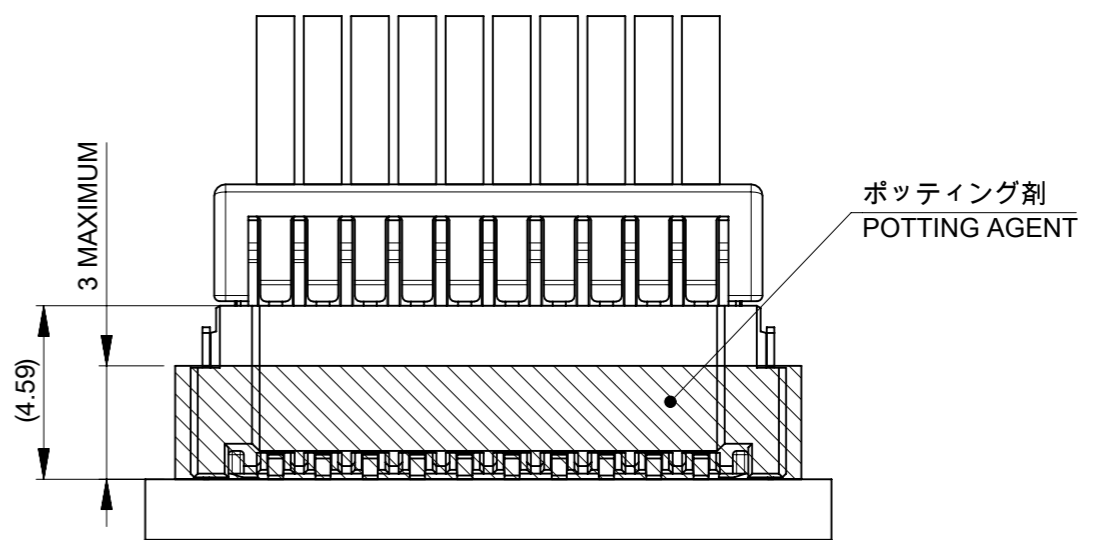
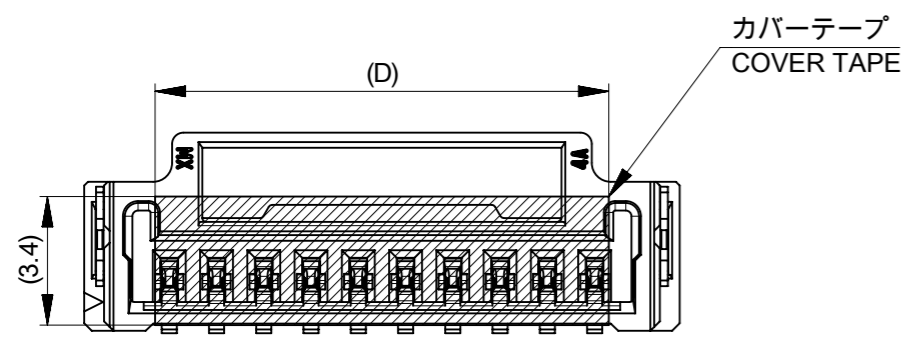
- 基板パターンレイアウト (参考)  
 (参考: 基板厚 1.6mm, メタルマスク厚さ 0.15mm, マスク開口率 100%)  
 RECOMMEND PCB LAYOUT : COMPONENT SIDE  
 (REFERENCE : PCB THICKNESS 1.6mm, STENCIL THICKNESS 0.15mm, APERTURE RATIO 100%)
- パターン禁止エリア  
 RESTRICTED AREA  
 NO PCB COMPONENTS ALLOWED

THIS DRAWING CONTAINS INFORMATION THAT IS PROPRIETARY TO MOLEX ELECTRONIC TECHNOLOGIES, LLC AND SHOULD NOT BE USED WITHOUT WRITTEN PERMISSION		CURRENT REV DESC:		 MICRO-LOCK PLUS 1.25 W/B SINGLE ROW VERTICAL SMT PLUG ASSEMBLY FOR POTTING			
DIMENSION UNITS	SCALE	EC NO: 736271					
mm	NTS	DRWN: SAKIYAMA		CHK'D: SAKIYAMA	2023/02/16	PRODUCT CUSTOMER DRAWING DOCUMENT NUMBER: 2059573000-SD DOC TYPE: PSD DOC PART: 000 REVISION: D	
GENERAL TOLERANCES (UNLESS SPECIFIED)		APPR: AIDA		APPR: AIDA	2023/02/16		
ANGULAR TOL	± 3.0°	INITIAL REVISION:		DRWN: TAKAIKE		2019/08/01	
4 PLACES	± 0.2	DRWN: TAKAIKE		APPR: AIDA		2019/08/20	
3 PLACES	± 0.2	MATERIAL NUMBER		CUSTOMER		SHEET NUMBER	
2 PLACES	± 0.2	205957		GENERAL		2 OF 5	
1 PLACE	± 0.2	SEE SHEET 5					
0 PLACES	± 0.2						
DRAFT WHERE APPLICABLE MUST REMAIN WITHIN DIMENSIONS		THIRD ANGLE PROJECTION	DRAWING	SERIES	MATERIAL NUMBER	CUSTOMER	SHEET NUMBER
			A3-SIZE	205957	SEE SHEET 5	GENERAL	2 OF 5

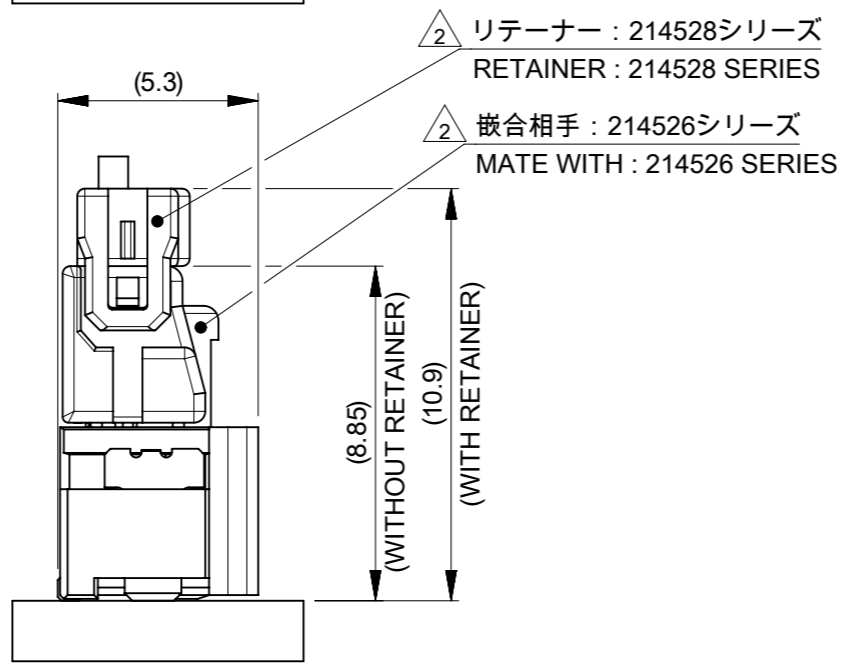
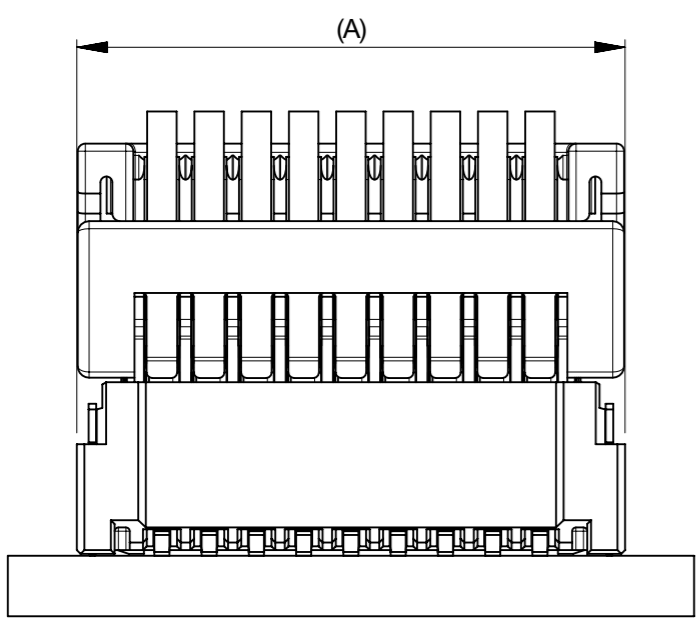
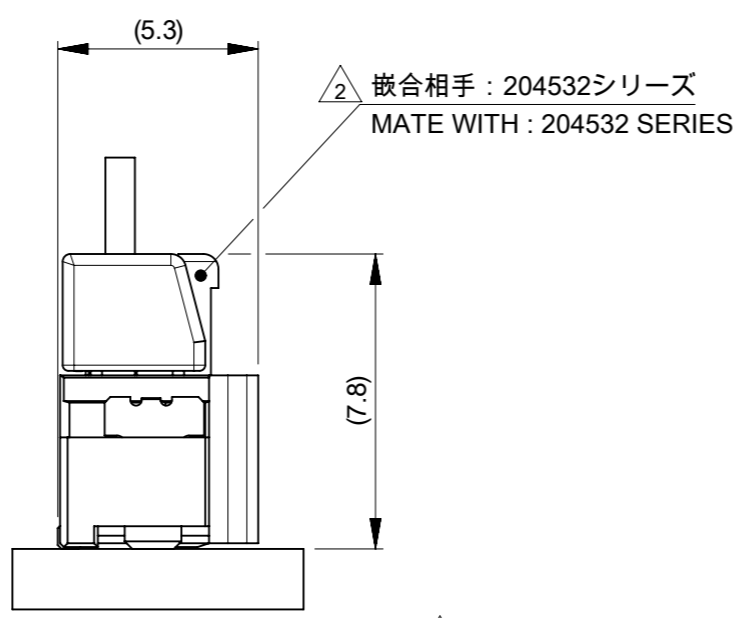
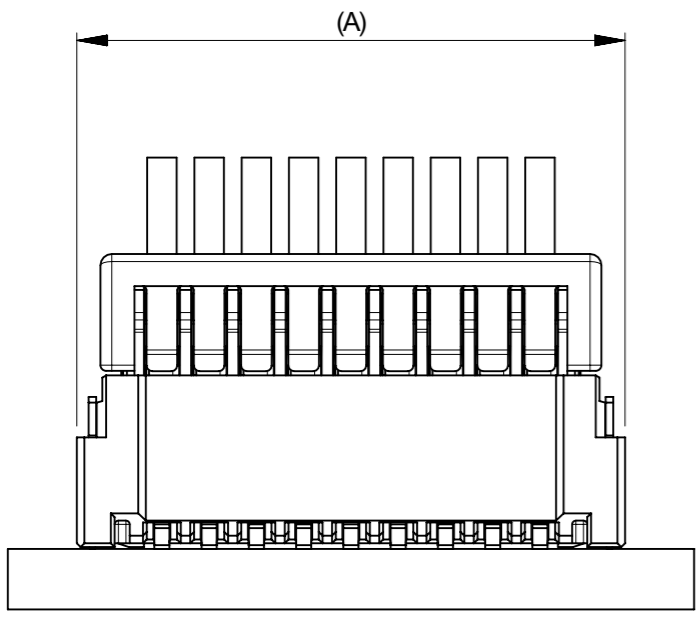
10 9 8 7 6 5 4 3 2 1

吸着エリア  
SUCTION AREA

ポッティング高さ  
POTTING HEIGHT

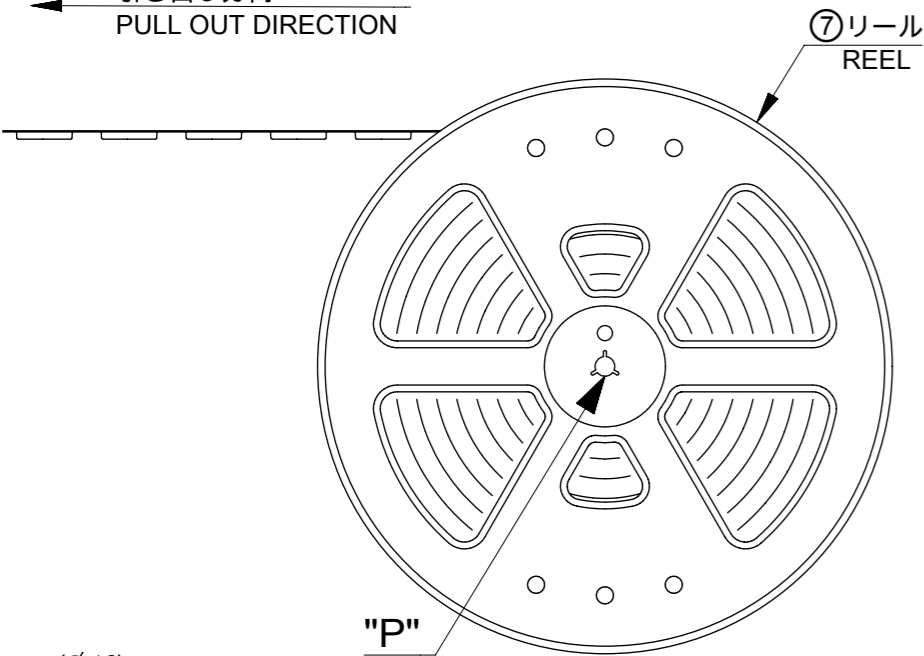


嵌合状態図  
MATED CONNECTORS

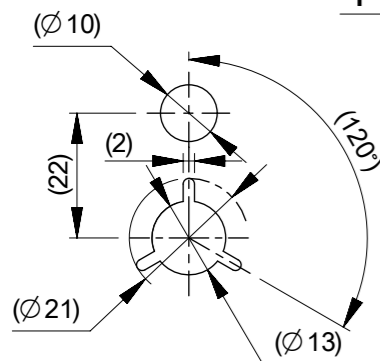


THIS DRAWING CONTAINS INFORMATION THAT IS PROPRIETARY TO MOLEX ELECTRONIC TECHNOLOGIES, LLC AND SHOULD NOT BE USED WITHOUT WRITTEN PERMISSION													
DIMENSION UNITS		SCALE		CURRENT REV DESC:									
mm		NTS											
GENERAL TOLERANCES (UNLESS SPECIFIED)				<p><b>molex</b></p> <p>MICRO-LOCK PLUS 1.25 W/B SINGLE ROW VERTICAL SMT PLUG ASSEMBLY FOR POTTING</p> <p>PRODUCT CUSTOMER DRAWING</p> <p>DOCUMENT NUMBER: 2059573000-SD   DOC TYPE: PSD   DOC PART: 000   REVISION: D</p>									
ANGULAR TOL ± 3.0 °													
4 PLACES ± 0.2		EC NO: 736271								DRWN: SOKUMURA01		2022/12/27	
3 PLACES ± 0.2		CHK'D: SAKIYAMA								APPR: AIDA		2023/02/16	
2 PLACES ± 0.2		INITIAL REVISION:								DRWN: TAKAIKE		2019/08/01	
1 PLACE ± 0.2		APPR: AIDA								2019/08/20			
0 PLACES ± 0.2		DRAFT WHERE APPLICABLE MUST REMAIN WITHIN DIMENSIONS		THIRD ANGLE PROJECTION		DRAWING: A3-SIZE		SERIES: 205957					
MATERIAL NUMBER: SEE SHEET 5		CUSTOMER: GENERAL		SHEET NUMBER: 3 OF 5									

引き出し方向  
PULL OUT DIRECTION



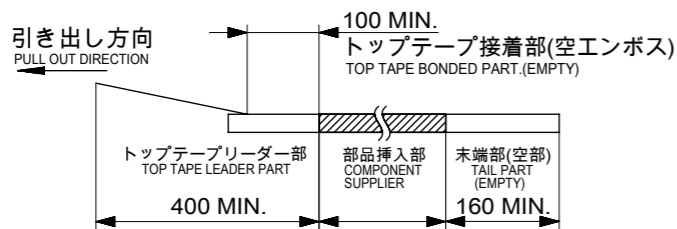
⑦リール  
REEL



DETAIL "P"

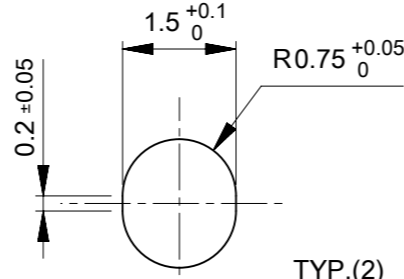
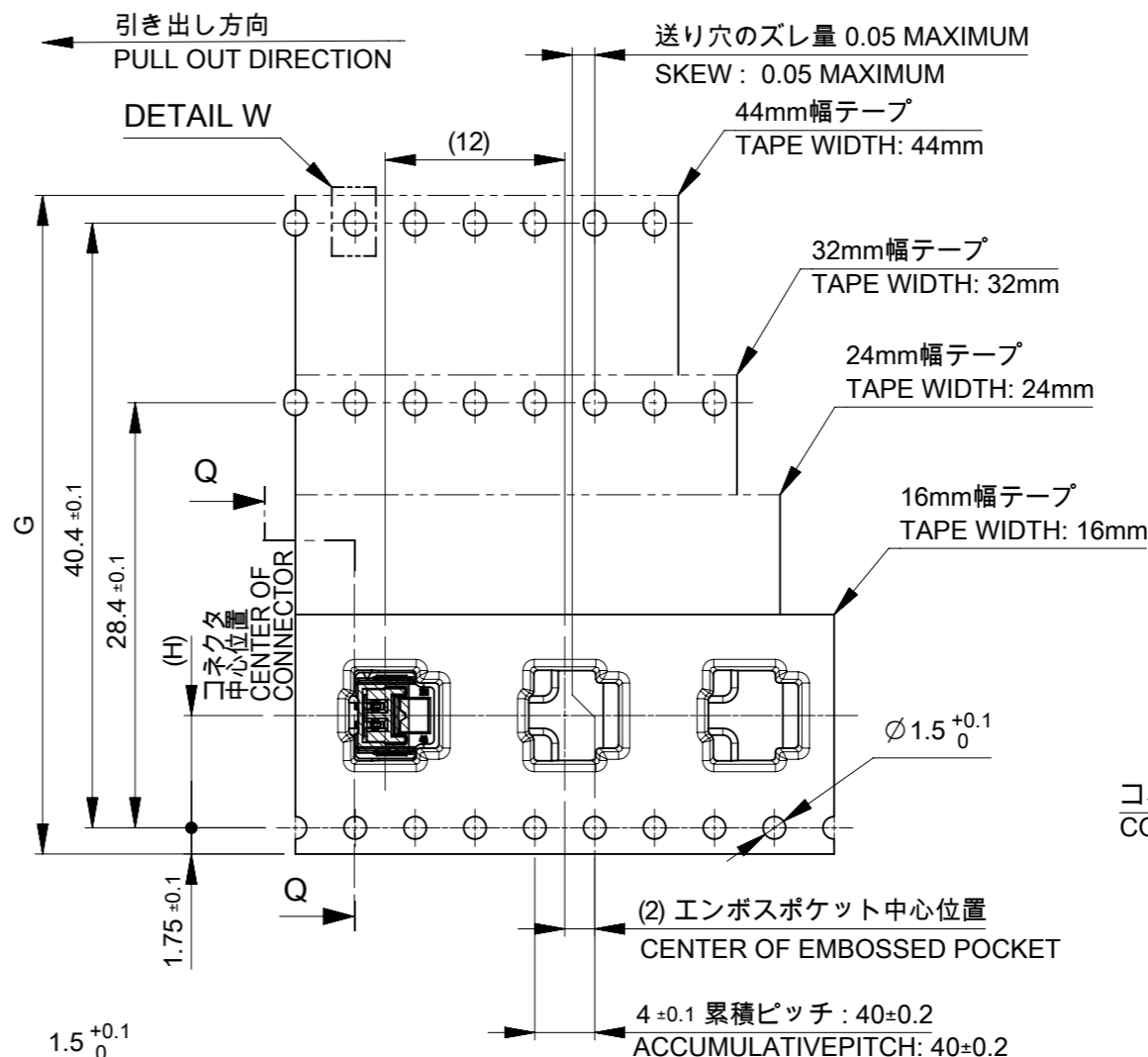
注記 NOTE

- 6. 梱包数量 : 1000個/リール  
NUMBER OF CONNECTORS : 1000 PCS/REEL
- 7. リードテープ長さ  
LEAD TAPE LENGTH.

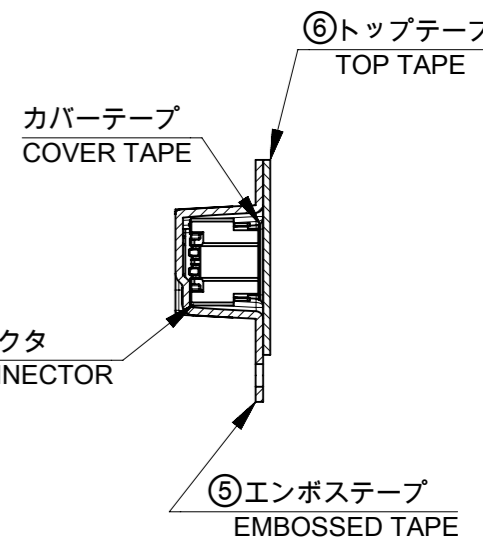


- 8. トップテープの剥離強度はIEC60286-3に準拠  
TOP TAPE PEELING FORCE IS DEFINED BY IEC60286-3.

引き出し方向  
PULL OUT DIRECTION



DETAIL W



SECTION Q-Q

					16
					15
					14
					13
					12
					11
					10
					9
					8
					7
					6
					5
					4
					3
					2
					極数
					CIRCUIT SIZE
20.2	44±0.3	45.4	49.4		
14.2	32±0.3	33.4	37.4		
11.5	24 <sup>+0.3</sup> <sub>-0.1</sub>	25.4	29.4		
7.5	16 <sup>+0.3</sup> <sub>-0.1</sub>	17.4	21.4		
H	G	F	E		

TABLE 2

番号 NO.	部品 PART	材質 MATERIAL
⑤	エンボステープ EMBOSSED TAPE	ポリスチレン(PS)、その他 POLYSTYRENE(PS), etc
⑥	トップテープ TOP TAPE	ポリエチレン(PE)、その他 POLYETHYLENE(PE), etc
⑦	リール REEL	ポリスチレン(PS) <リサイクル材を含む> POLYSTYRENE(PS) <RECYCLE MATERIAL CONTAINED >

DOCUMENT STATUS P1 RELEASE DATE 2023/02/16 15:22:34

THIS DRAWING CONTAINS INFORMATION THAT IS PROPRIETARY TO MOLEX ELECTRONIC TECHNOLOGIES, LLC AND SHOULD NOT BE USED WITHOUT WRITTEN PERMISSION

DIMENSION UNITS: mm SCALE: NTS

GENERAL TOLERANCES (UNLESS SPECIFIED): ANGULAR TOL ± 3.0°

4 PLACES ± 0.2  
3 PLACES ± 0.2  
2 PLACES ± 0.2  
1 PLACE ± 0.2  
0 PLACES ± 0.2

DRAFT WHERE APPLICABLE MUST REMAIN WITHIN DIMENSIONS

THIRD ANGLE PROJECTION

DRAWING: A3-SIZE

SERIES: 205957

MATERIAL NUMBER: SEE SHEET 5

CUSTOMER: GENERAL

SHEET NUMBER: 4 OF 5

CURRENT REV DESC:

EC NO: 736271  
DRWN: SOKUMURA01 2022/12/27  
CHK'D: SAKIYAMA 2023/02/16  
APPR: AIDA 2023/02/16

INITIAL REVISION:  
DRWN: TAKAIKE 2019/08/01  
APPR: AIDA 2019/08/20

PRODUCT CUSTOMER DRAWING

DOCUMENT NUMBER: 2059573000-SD

DOC TYPE: PSD

DOC PART: 000

REVISION: D

**molex**


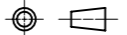
MICRO-LOCK PLUS 1.25 W/B  
SINGLE ROW VERTICAL SMT PLUG ASSEMBLY  
FOR POTTING

△ 2 適合製品及び各種仕様書 APPLICABLE PRODUCTS AND VARIOUS SPECIFICATIONS

梱包仕様書 PACKAGING SPECIFICATION		2059579200-SPK PS 200	
適合嵌合相手 MATE WITH	シリーズ番号 SERIES NUMBER	204532	214526
	リテーナー対応 RETAINER APPLICABLE	NOT COMPLIANT	COMPLIANT
適合リテーナーシリーズ番号 APPLICABLE RETAINER SERIES NUMBER		-	214528
製品仕様書 PRODUCT SPECIFICATION		2045320001-PS PS 000	2145260001-PS PS 000
コネクタ取扱説明書 APPLICATION SPECIFICATION		5055650000-AS PS 000	

△ 5 205957\*\*7\* 発注番号一覧 ORDER NUMBER LIST

BLACK	NATURAL (WHITE)	HOUSING COLOR
2059571671	2059571670	16
2059571571	2059571570	15
2059571471	2059571470	14
2059571371	2059571370	13
2059571271	2059571270	12
2059571171	2059571170	11
2059571071	2059571070	10
2059570971	2059570970	9
2059570871	2059570870	8
2059570771	2059570770	7
2059570671	2059570670	6
2059570571	2059570570	5
2059570471	2059570470	4
2059570371	2059570370	3
2059570271	2059570270	2
発注番号 ORDER NUMBER		極数 CIRCUIT SIZE
梱包形態 : エンボステープ、リール PACKAGING STYLE : EMBOSSED TAPE AND REEL		

THIS DRAWING CONTAINS INFORMATION THAT IS PROPRIETARY TO MOLEX ELECTRONIC TECHNOLOGIES, LLC AND SHOULD NOT BE USED WITHOUT WRITTEN PERMISSION									
DIMENSION UNITS	SCALE	CURRENT REV DESC:			 MICRO-LOCK PLUS 1.25 W/B SINGLE ROW VERTICAL SMT PLUG ASSEMBLY FOR POTTING				
mm	NTS								
GENERAL TOLERANCES (UNLESS SPECIFIED)		EC NO: 736271			PRODUCT CUSTOMER DRAWING				
ANGULAR TOL ± 3.0 °		DRWN: SOKUMURA01 2022/12/27							
4 PLACES	± 0.2	CHK'D: SAKIYAMA 2023/02/16			DOCUMENT NUMBER <b>2059573000-SD</b>				
3 PLACES	± 0.2	APPR: AIDA 2023/02/16							
2 PLACES	± 0.2	INITIAL REVISION:			DOC TYPE		DOC PART		REVISION
1 PLACE	± 0.2	DRWN: TAKAIKE 2019/08/01			PSD		000		D
0 PLACES	± 0.2	APPR: AIDA 2019/08/20			GENERAL				
DRAFT WHERE APPLICABLE MUST REMAIN WITHIN DIMENSIONS		THIRD ANGLE PROJECTION		DRAWING	SERIES	MATERIAL NUMBER		CUSTOMER	
				A3-SIZE	205957	SEE CHART		GENERAL	
								SHEET NUMBER 5 OF 5	

DOCUMENT STATUS	P1	RELEASE DATE	2023/02/16	15:22:34
-----------------	----	--------------	------------	----------