

MATING CONNECTORS:

| REF. | DESCRIPTION | PART NUMBER | MFG. |
|------|-------------------------|-----------------------------------|---------|
| CN-1 | INPUT HOUSING TERMINAL | IL-Z-7S-S125C3 IL-Z-C3-A-15000 | JAE |
| CN-1 | INPUT HARNESS | BXC-10550 | JKL |
| CN-2 | OUTPUT HOUSING TERMINAL | M63M83-06 M63C84-1 | MITSUMI |
| CN-2 | OUTPUT HARNESS | BXC-10655 | JKL |

PERFORMANCE SPECIFICATIONS:

| DESCRIPTION | SYM | MIN | TYP | MAX | UNITS |
|----------------|-----|------|------|------|--------|
| INPUT VOLTAGE | VIN | 10.8 | 12.0 | 13.2 | V DC |
| INPUT CURRENT | IIN | --- | 520 | --- | MA DC |
| OUTPUT VOLTAGE | VL | 1100 | 1200 | --- | V RMS |
| OUTPUT CURRENT | IL | 5.5 | 6.0 | 6.5 | MA RMS |
| OSC. FREQUENCY | Fo | 20.0 | 30.0 | 40.0 | K HZ |
| PWM FREQUENCY | FPW | 4.35 | 4.55 | 4.75 | HZ |

TESTED WITH 2 EACH 3MM X 220MM LAMPS, AT 25°C, VIN= 12.0V ± 0.1V.

CONTROL FUNCTIONS:

CNT (INPUT PIN 3) IS USED AS AN INHIBIT FUNCTION, "+V" OR "OPEN" EQUALS OFF. "GND" EQUALS ON.

R MODE DIMMING: VRI AND VR2 (INPUT PINS 1 AND 2) ARE USED TO PROVIDE, THE DIMMING FUNCTION, "0" OHMS EQUALS 100% LIGHT OUTPUT, "10K" OHMS EQUALS 40% LIGHT OUTPUT.

V MODE DIMMING: VRI (INPUT PIN 1) IS USED TO PROVIDE, THE DIMMING FUNCTION, "0V DC" EQUALS 100% LIGHT OUTPUT, "2.0V DC" EQUALS 20% LIGHT OUTPUT.

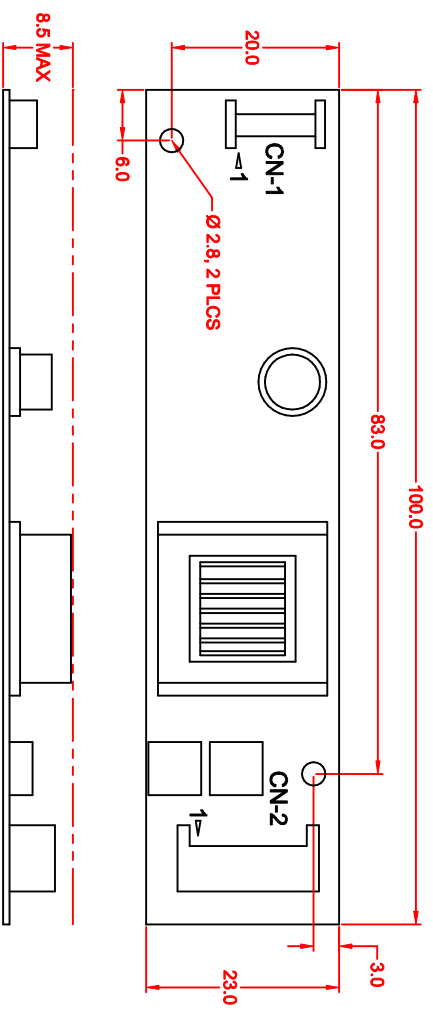
NOTE: THE SWITCH AND POTENTIOMETER SHOWN ON THE WIRING DIAGRAM ARE NOT A PART OF THE BXA-12549-6M INVERTER. THESE PARTS ARE AVAILABLE FROM MOST ELECTRONIC PARTS DISTRIBUTORS.

OPERATING CHARACTERISTICS:

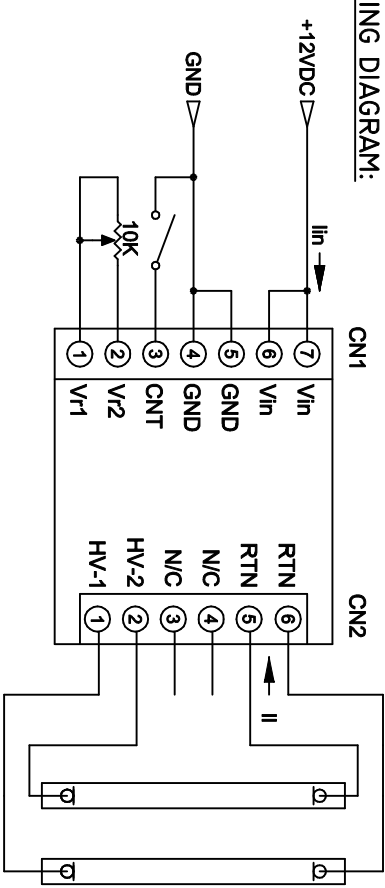
INPUT VOLTAGE RANGE: 10.8 Vdc TO 13.2 Vdc
 NOMINAL INPUT POWER: 8.0 WATTS
 OUTPUT DIMMING RANGE (R MODE): 50% TO 100%
 OUTPUT DIMMING RANGE (V MODE): 20% TO 100%
 OPERATING TEMPERATURE RANGE: 0°C TO 60°C
 STORAGE TEMPERATURE RANGE: -20°C TO 70°C

ABSOLUTE MAXIMUM RATINGS:
 MAXIMUM INPUT VOLTAGE: 14.0 VDC
 MAXIMUM RELATIVE HUMIDITY: 90%

| REV. | DESCRIPTION/ECO NO. | DATE |
|------|-----------------------|--------|
| | ENGR. RELEASED TO CAD | 7/7/04 |
| | | |
| | | |
| | | |



WIRING DIAGRAM:



| | | | |
|---|-------------------------|---|--|
| METRIC THIRD ANGLE PROJECTION | | DIMENSIONS ARE IN MILLIMETERS TOLERANCE UNLESS OTHERWISE SPECIFIED 1 PL +/- .0 2 PL +/- .0 ANGLE +/- .0 | |
| DRAWN BY L. WENGSTROM | APP'D BY J.K. | DATE 7/7/04 | TITLE 12 VDC INPUT, DUAL OUTPUT, DIMMING CCFL INVERTER |
| - CAD DRAWING - MANUAL REVISIONS NOT PERMITTED | SIZE A | FSCH NO. 55335 | DRAWING NO. BXA-12549-6M |
| SCALE NONE | RELEASED DATE 7/7/04 | REVISION DATE | REV. NO. 1 SHEET 3 |

JKL COMPONENTS CORPORATION