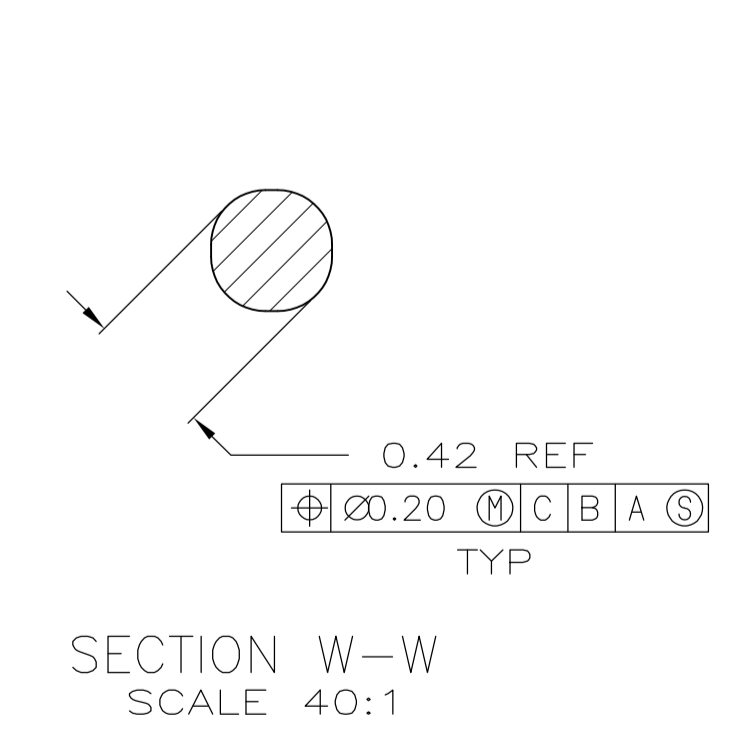
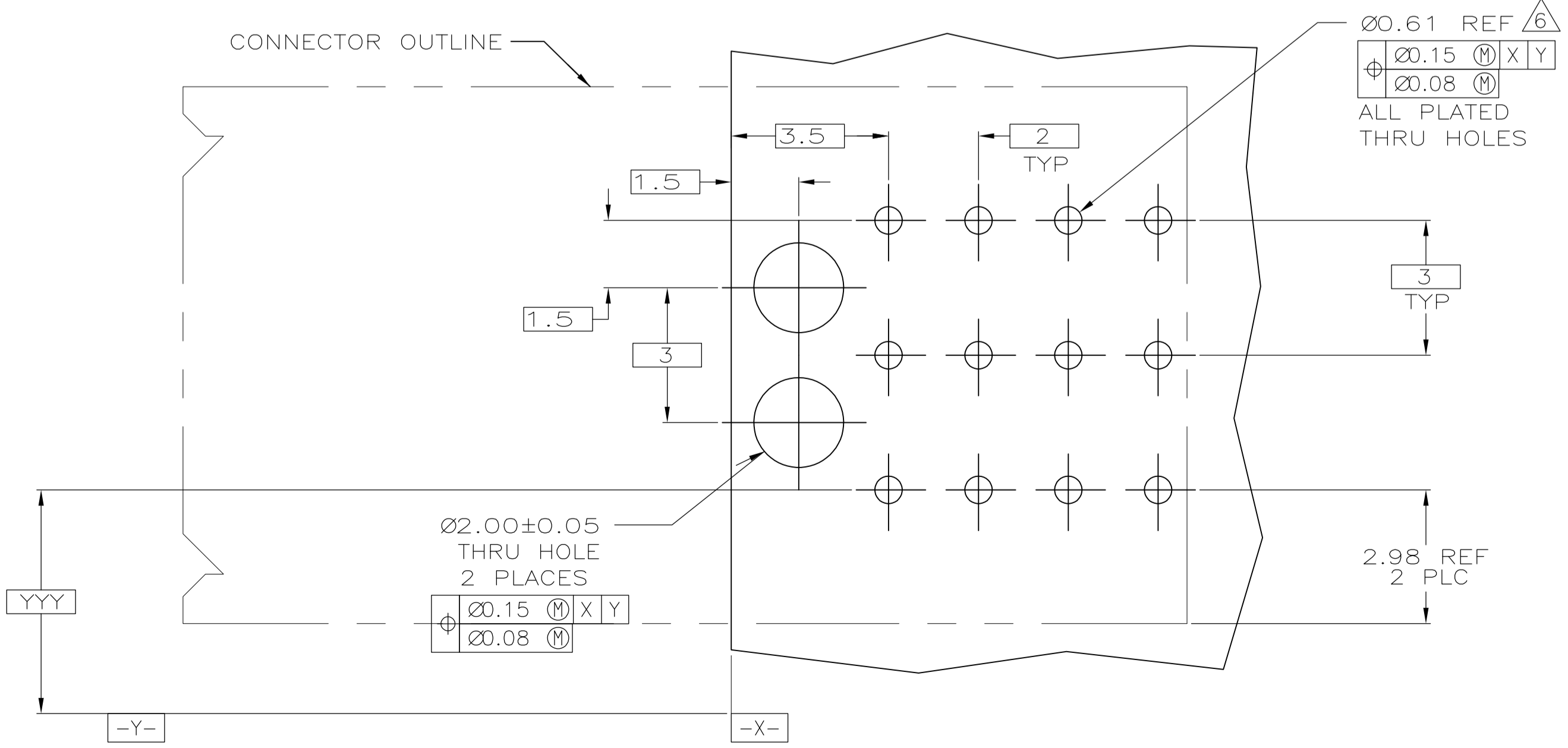
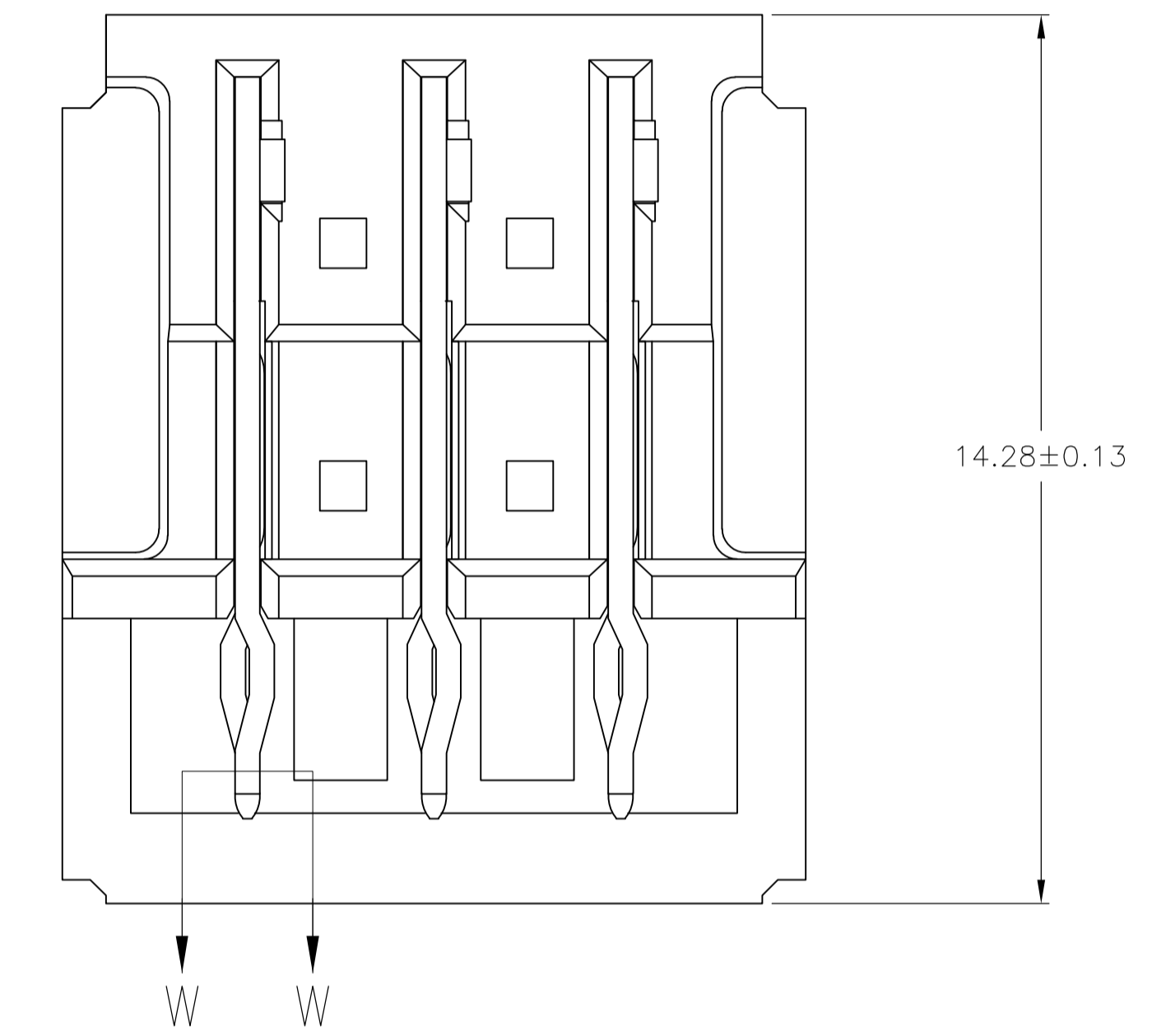
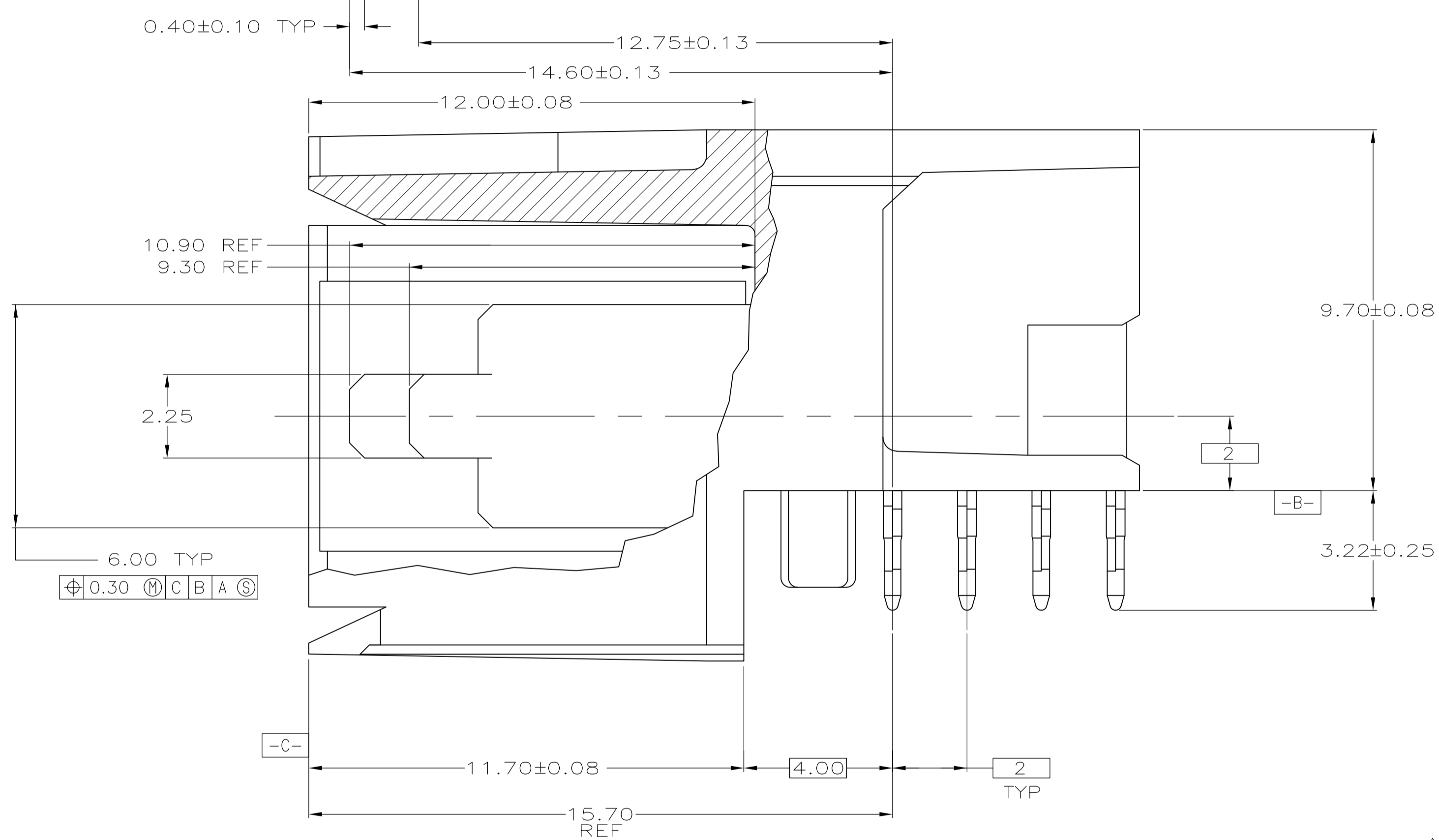
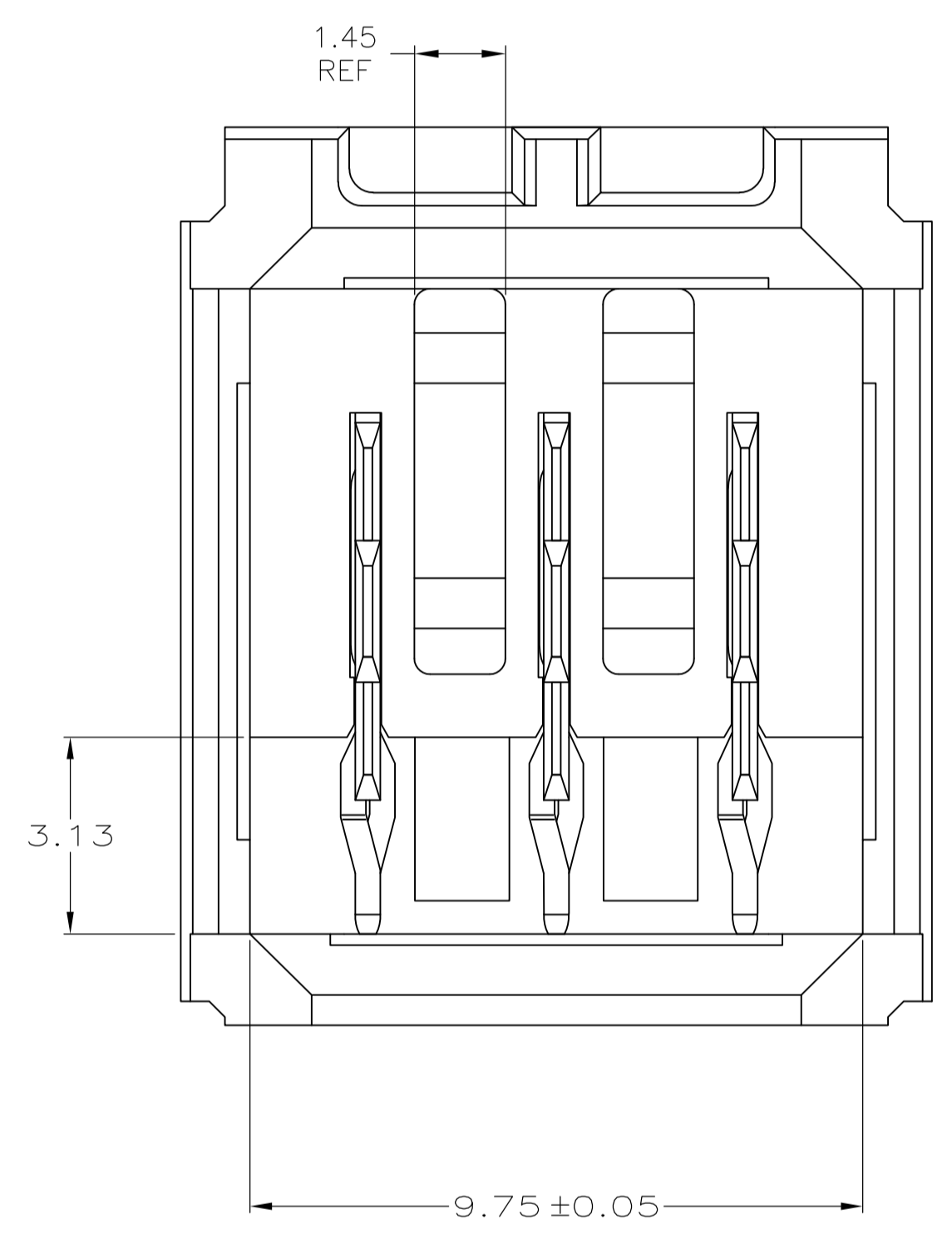


- 1 MATERIAL: HOUSING: POLYESTER. COLOR: GRAY. UL 94V-0. CONTACT: PHOSPHOR BRONZE.
 - 2 FINISH: CONTACT MATING AREA: 1.27µm MIN GOLD OR 0.08µm MIN GOLD OVER 0.76µm MIN PALLADIUM-NICKEL. ACTION PIN AREA: 0.5µm MIN TIN LEAD PLATE, ALL OVER 1.27µm MIN NICKEL UNDERPLATE.
 - 3 FINISH: CONTACT LUBRICATION WITH BELLCORE APPROVED LUBRICANT. TECHNICAL REFERENCE: TR-NWT-001217 ISSUE 1, SEPTEMBER 1992.
 - 4 NUMBER "5" MARKED IN THIS AREA.
 - 5 OBSOLETE
 - 6 REFERENCE APPLICATION SPEC 114-1103 FOR RECOMMENDED PLATED THRU HOLE DIAMETER AND PLATING THICKNESSES.
7. CURRENT RATING 10A/CONTACT PER PRODUCT SPEC 108-1651.



SECTION W-W
SCALE 40:1

5	4	GRAY	1-223962-0
5	4	BLACK	223962-4
5	4	GRAY	223962-1
HOUSING COLOR		PART NUMBER	

RECOMMENDED PCB HOLE LAYOUT

THIS DRAWING IS A CONTROLLED DOCUMENT.		DIN R. BUCHHEISTER 20/SEP/95		Tyco Electronics Corporation	
DIMENSIONS: mm		CHK N. NORRIS 20/SEP/95		Harrisburg, PA 17105-3608	
TOLERANCES UNLESS OTHERWISE SPECIFIED:		NAME D. SINISI 20/SEP/95		ASSEMBLY, RIGHT ANGLE HEADER, W/ RETENTION PEGS, SEQUENCED, UNIVERSAL POWER MODULE	
0. PLC ± -		PRODUCT SPEC		SIZE CAGE CODE DRAWING NO	
1. PLC ± -		APPLICATION SPEC		A1 00779 C=223962	
2. PLC ± 0.13		RESTRICTED TO		SCALE 10:1 SHEET 1 OF 1 REV N	
3. PLC ± -		MATERIAL		CUSTOMER DRAWING	
4. PLC ± -		FINISH			
ANGLES ± -					