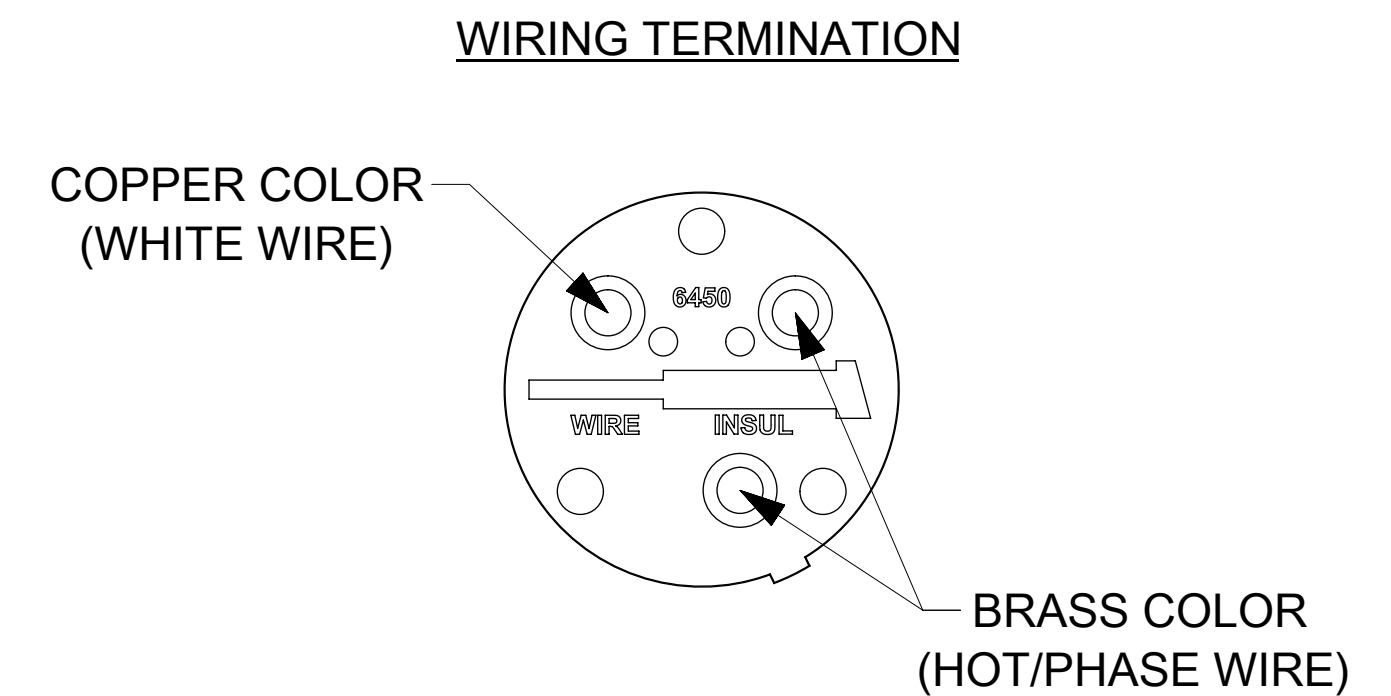
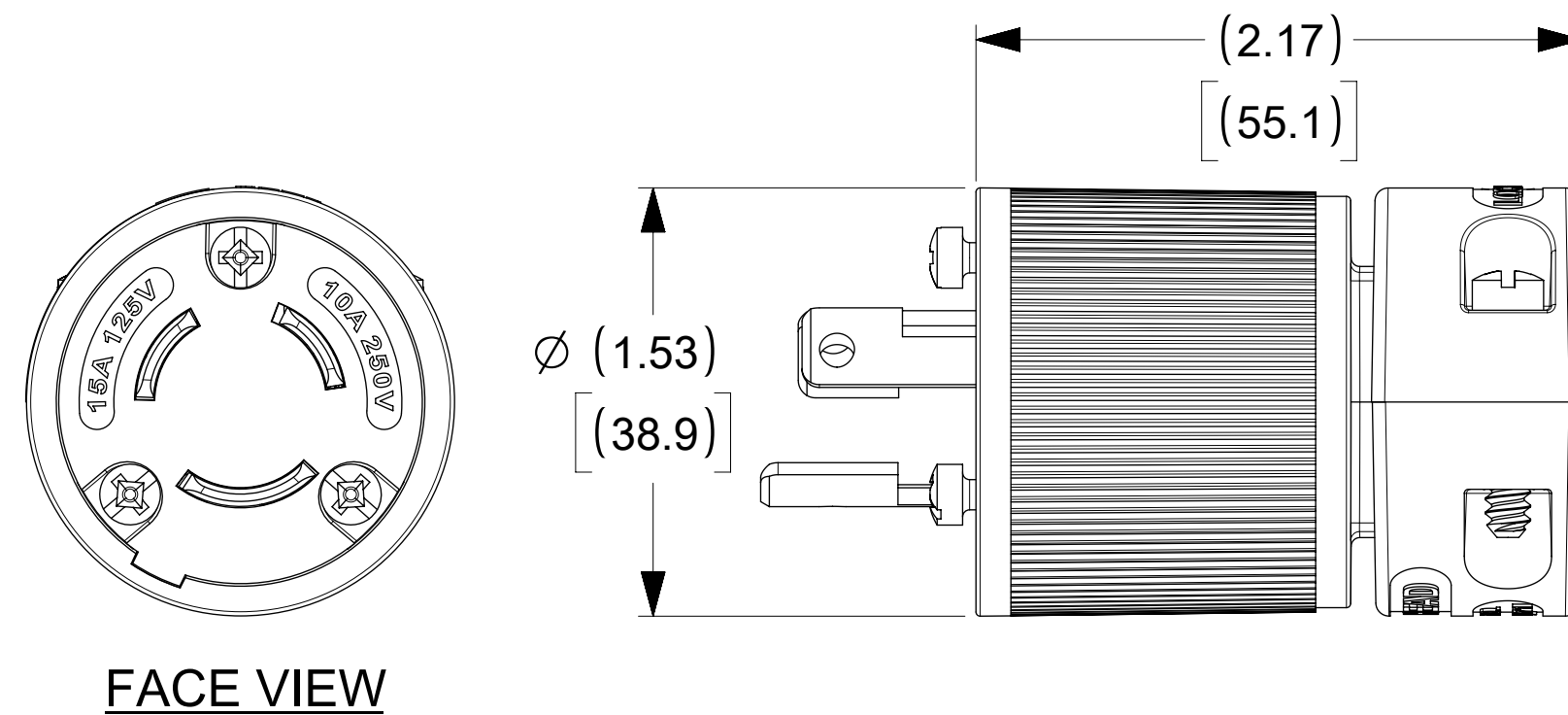
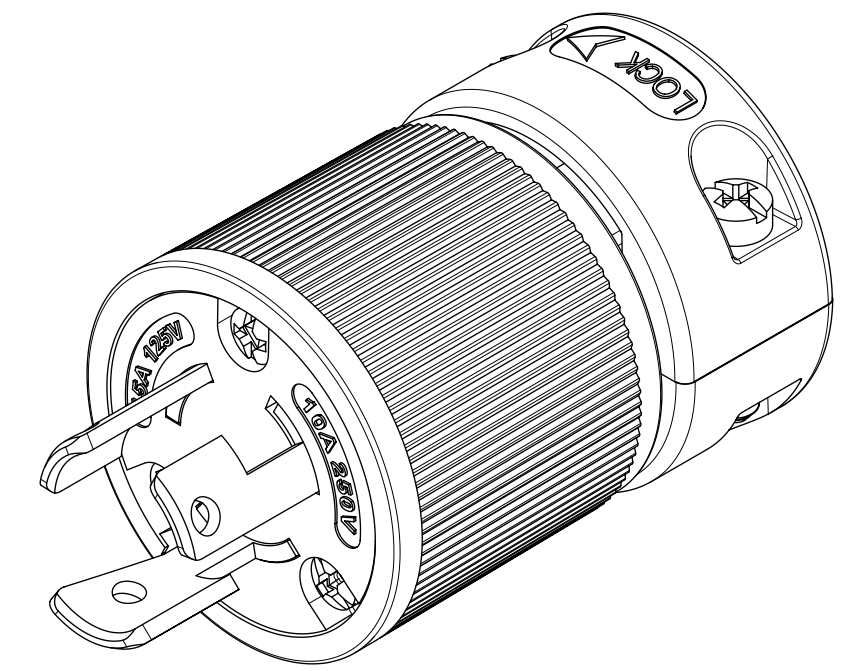
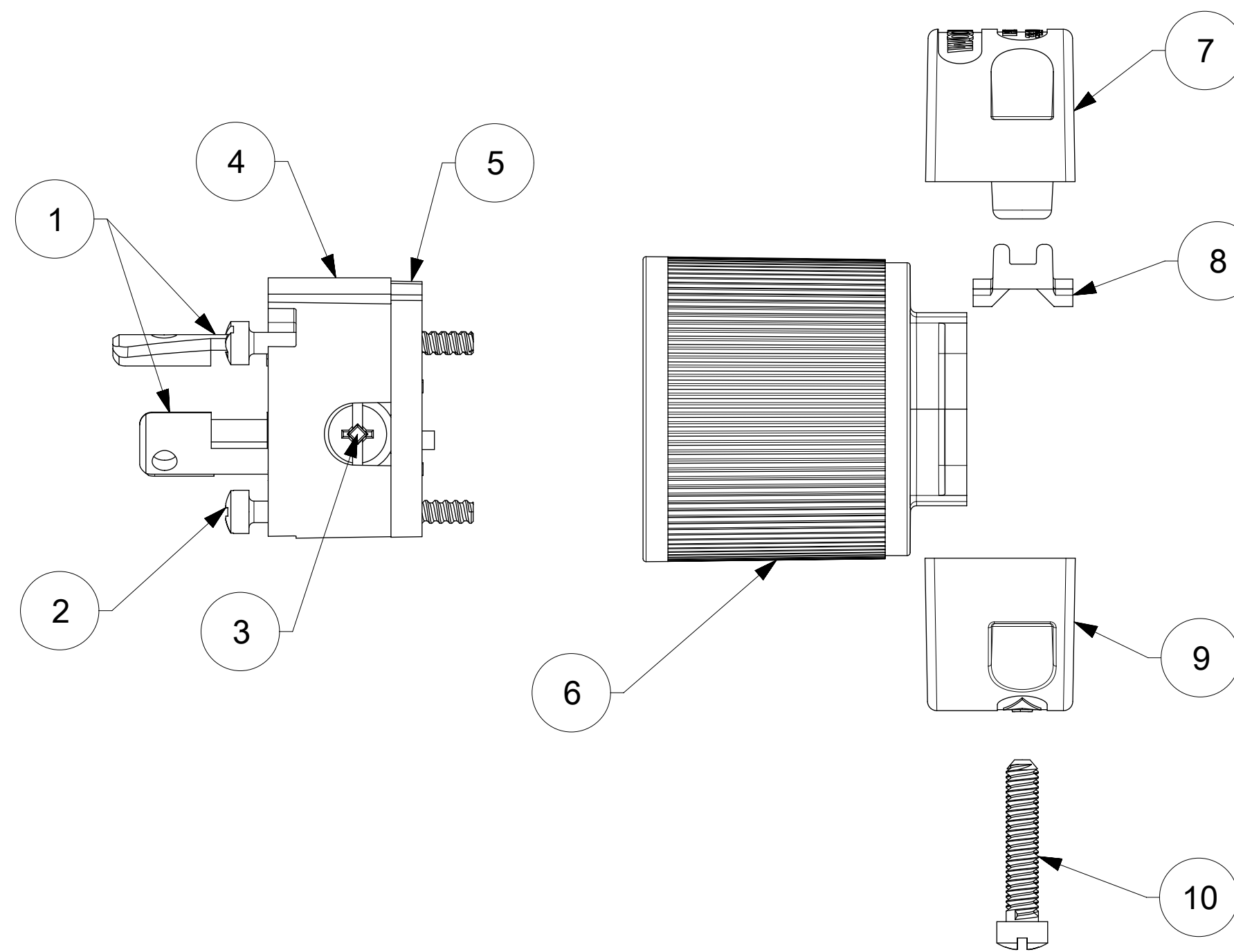


ORDER NO.	WOODHEAD NO.	COLOR
130144-0027	4730	BLACK
130144-0028	4730YL	YELLOW



ITEM NO.	DESCRIPTIONS	MATERIAL	QTY.
1	BLADES	BRASS, NICKEL PLATED	3
2	RETAINING SCREWS	STAINLESS STEEL	3
3	TERMINAL SCREWS/CLAMP ASSEMBLY	BRASS, ZINC PLATED	3
4	INSERT	NYLON	1
5	TERMINAL COVER	POLYCARBONATE	1
6	HOUSING	NYLON	1
7	CLAMP CORD MALE	NYLON	1
8	CLAMP CORD INSERT	NYLON	1
9	CLAMP CORD FEMALE	NYLON	1
10	RETAINING SCREWS	STEEL, ZINC PLATED	2

SYMBOLS		THIS DRAWING CONTAINS INFORMATION THAT IS PROPRIETARY TO MOLEX ELECTRONIC TECHNOLOGIES, LLC AND SHOULD NOT BE USED WITHOUT WRITTEN PERMISSION	
▽ = 0	INCH[MM]	SCALE	CURRENT REV DESC: NEW RELEASE
▽ = 0	NTS		
▽ = 0	GENERAL TOLERANCES (UNLESS SPECIFIED)		
▽ = 0		MM	INCH
▽ = 0	4 PLACES	±	±
▽ = 0	3 PLACES	±	±
▽ = 0	2 PLACES	±	±
▽ = 0	1 PLACE	±	±
▽ = 0	0 PLACES	±	±
▽ = 0	ANGULAR TOL	± °	
▽ = 0	DRAFT WHERE APPLICABLE MUST REMAIN WITHIN DIMENSIONS	THIRD ANGLE PROJECTION	DRAWING SERIES
			C-SIZE 130144
		EC NO: 621724	2019/04/01
		DRWN: VBASUTHKARP	2019/12/02
		CHK'D: DNGUYEN62	2020/02/05
		APPR: HKNEELAND	
		INITIAL REVISION:	
		DRWN: VBASUTHKARP	2019/04/01
		APPR: HKNEELAND	2020/02/05
DOCUMENT NUMBER		DOC TYPE	DOC PART
1301440027		PSD	000
MATERIAL NUMBER		CUSTOMER	SHEET NUMBER
SEE TABLE		GENERAL MARKET	1 OF 1

DOCUMENT STATUS	P1	RELEASE DATE	2020/02/05 17:39:53
-----------------	----	--------------	---------------------