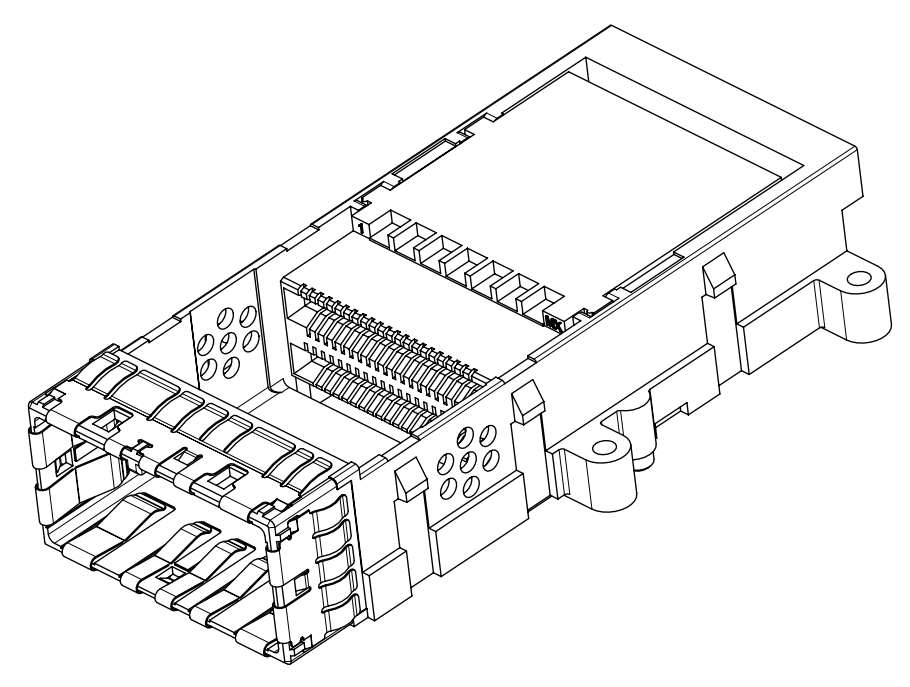
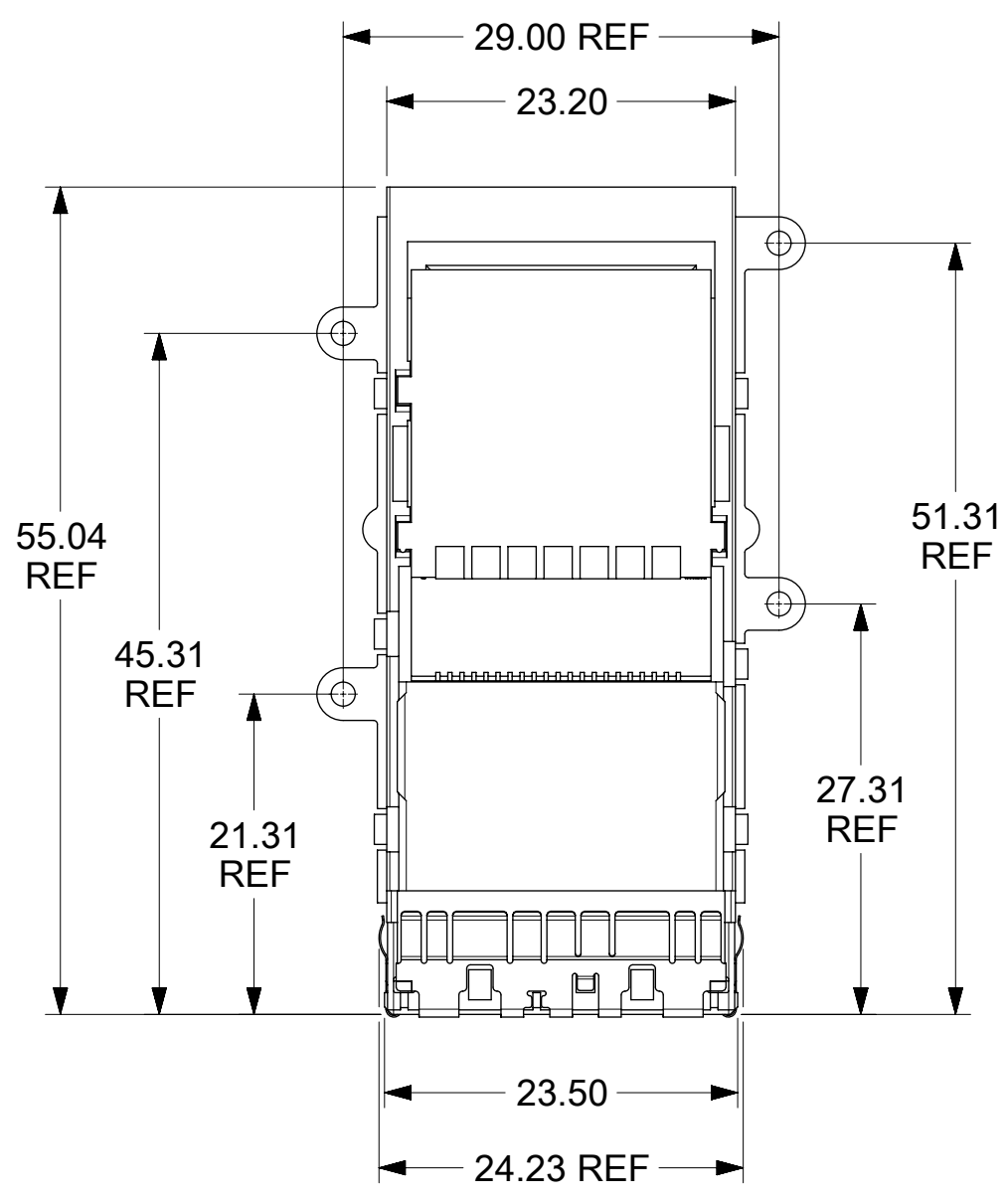
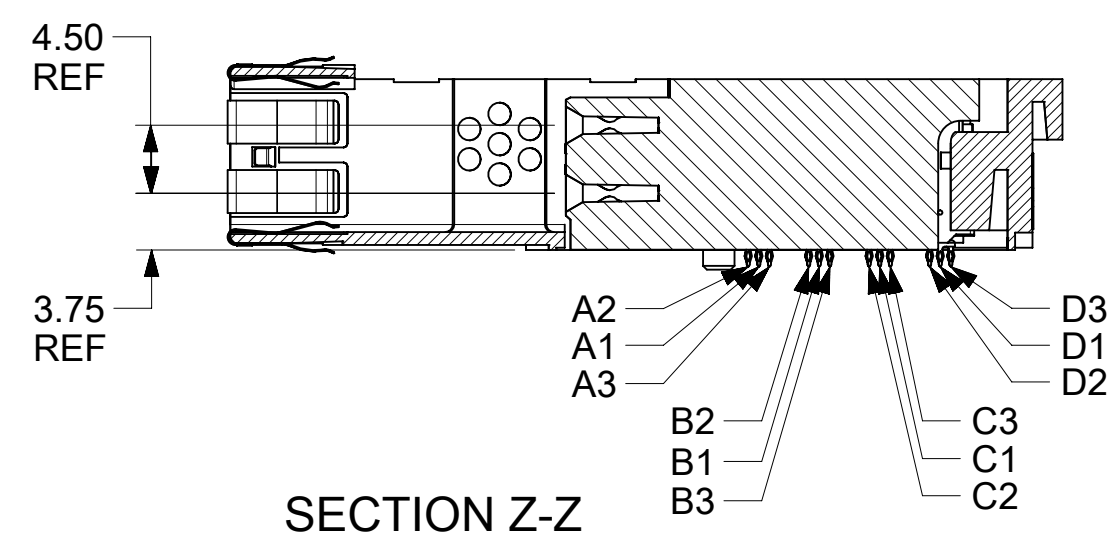
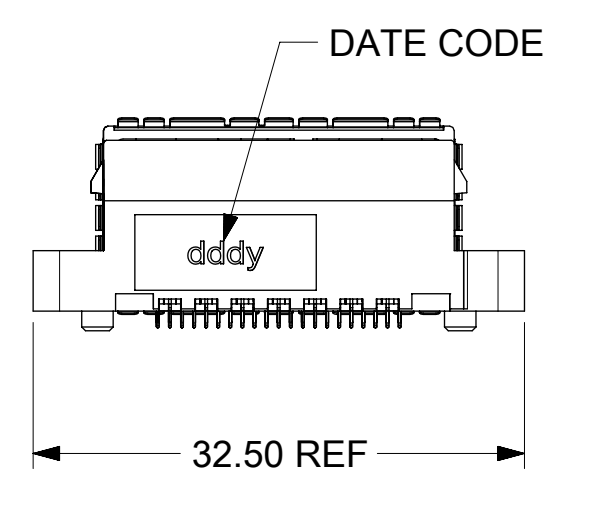
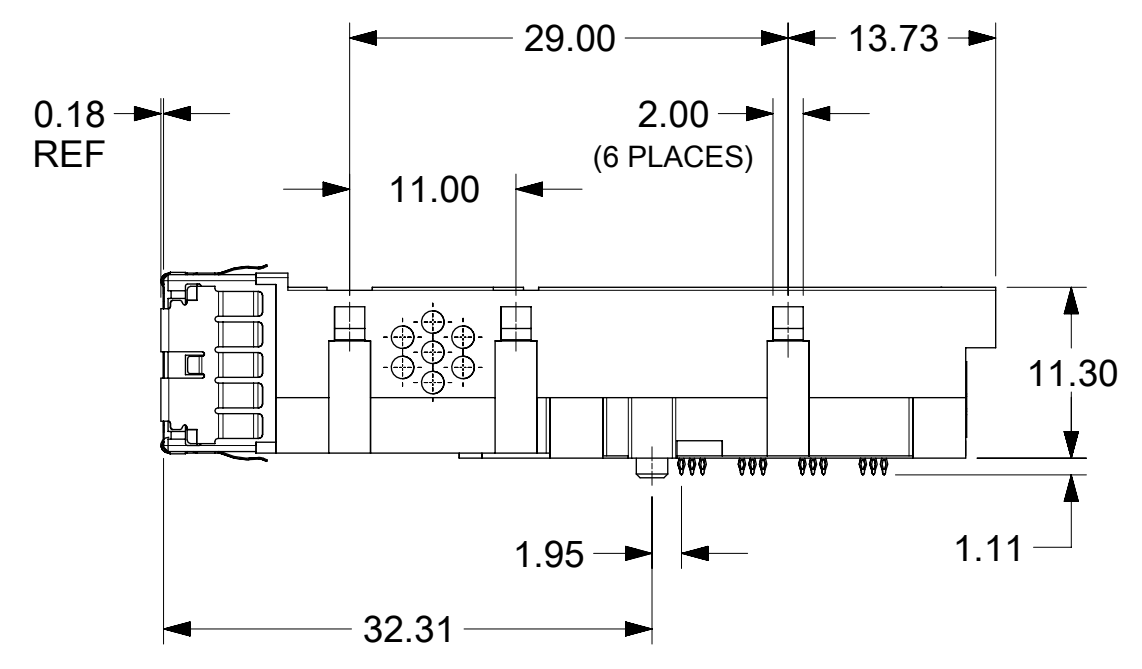
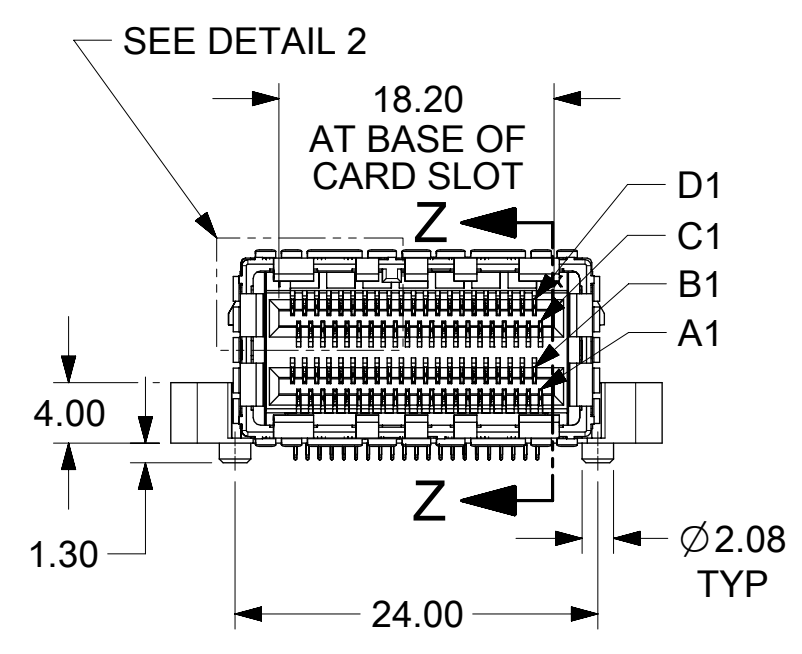
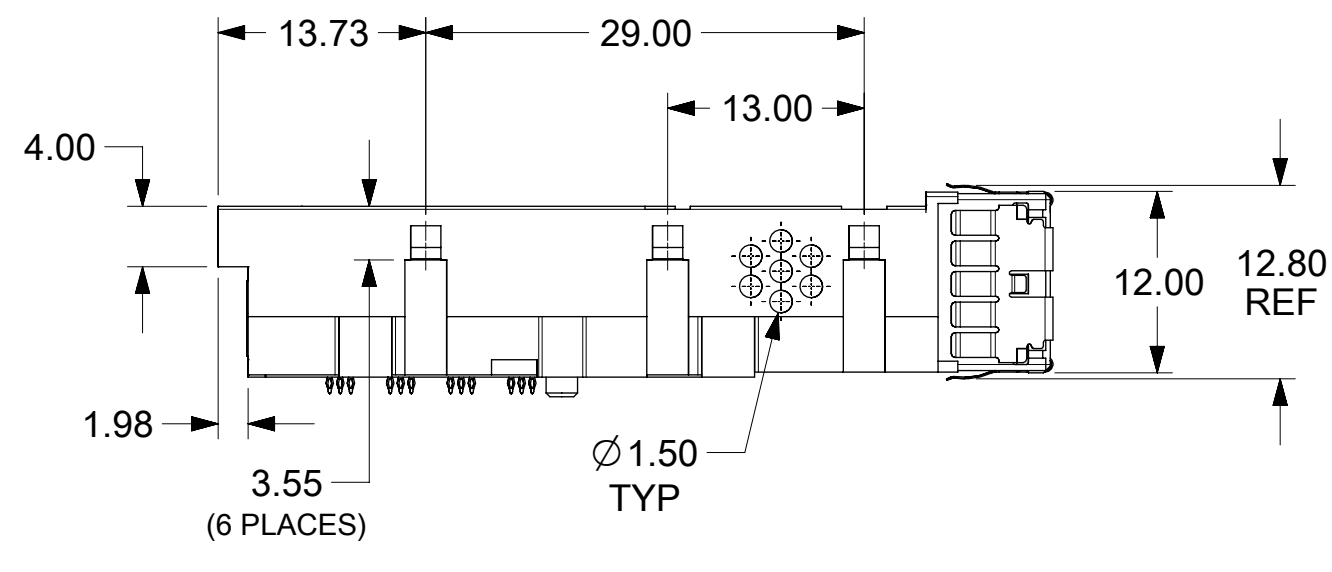


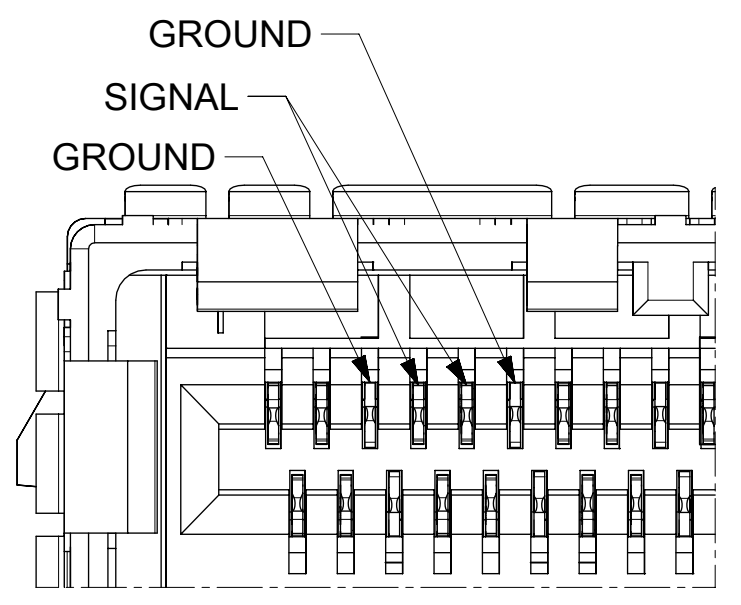
MATERIAL	DESCRIPTION
1731240003	NO COVER



1731240003



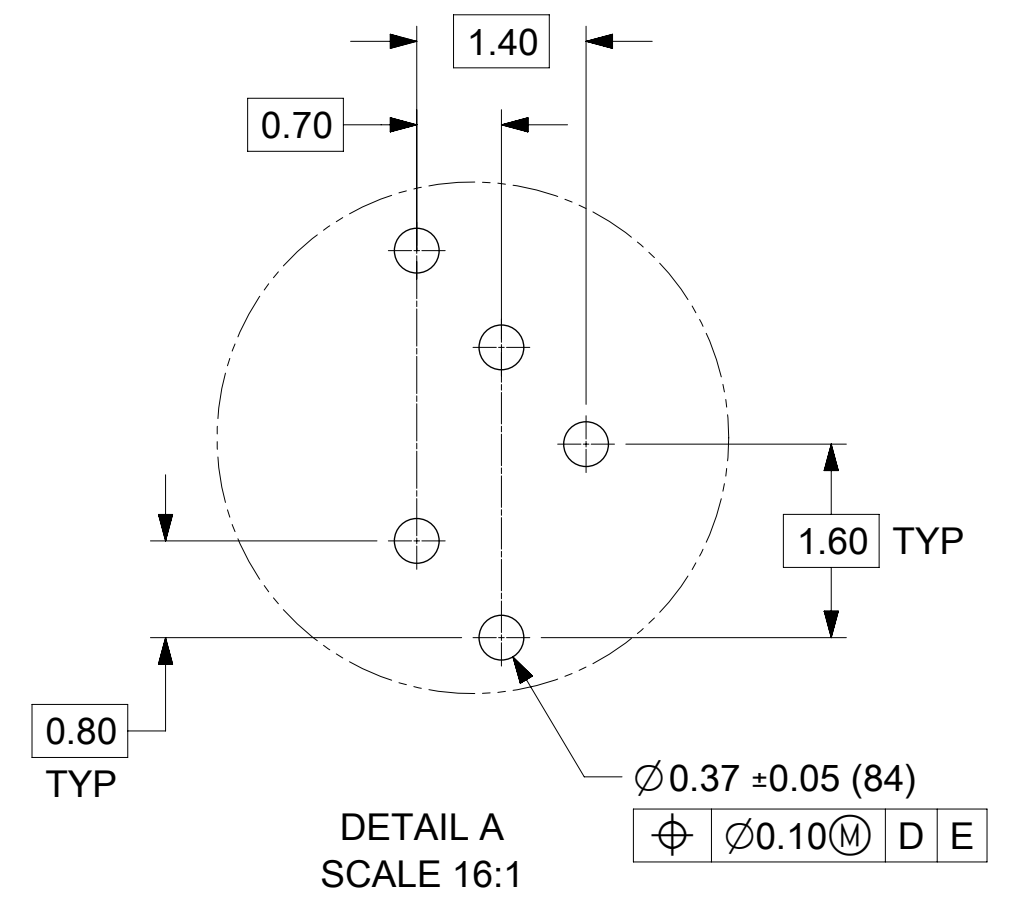
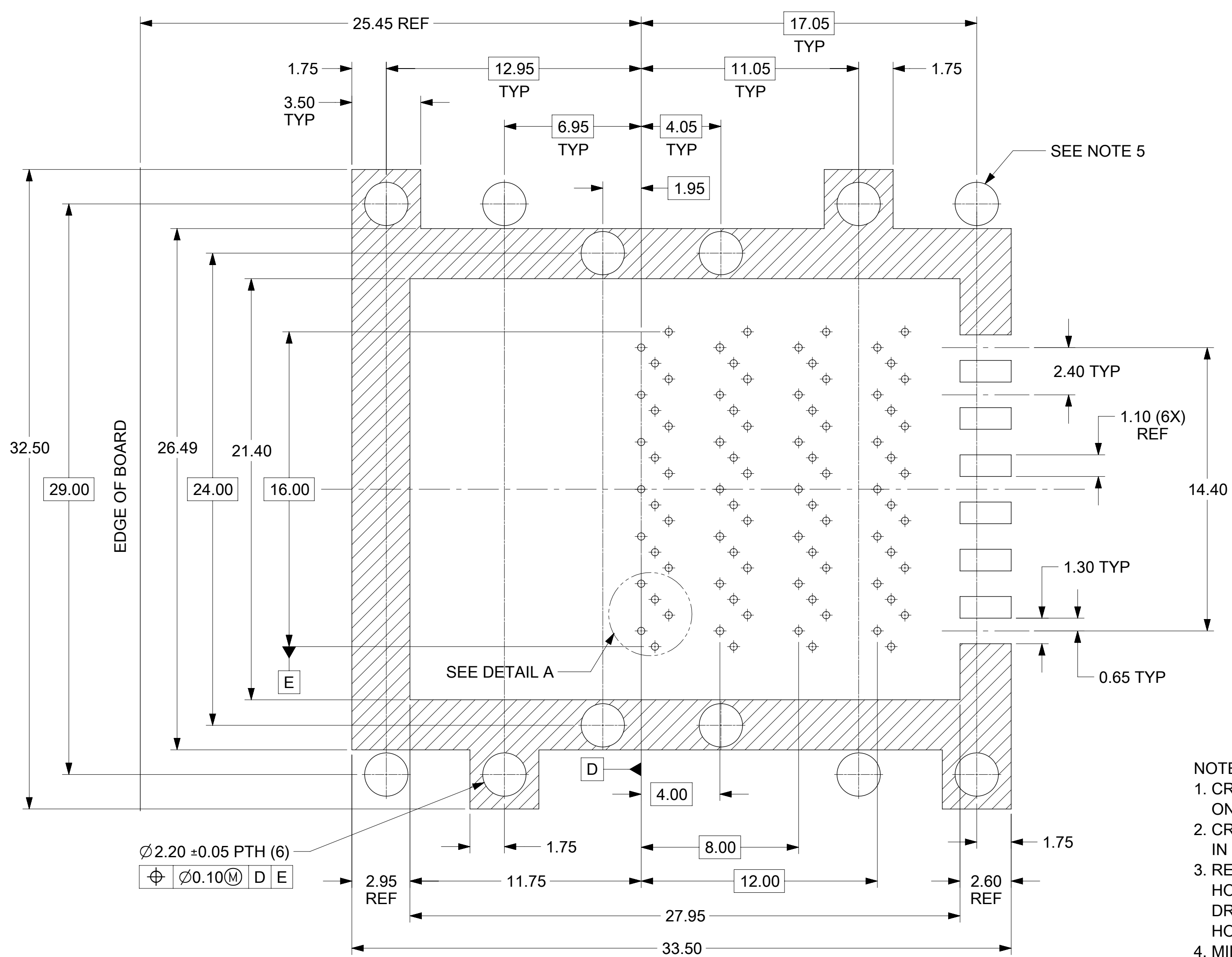
- NOTES:
- MATERIALS:
 - CONNECTOR HOUSING: HIGH TEMPERATURE THERMOPLASTIC GLASS-FILLED, UL 94V-0
 - EMI HOUSING: NICKEL PLATED DIE CAST ALLOY
 - COVER: STAINLESS STEEL
 - EMI CLIPS: NICKEL PLATED PHOS BRONZE
 - TERMINALS: COPPER ALLOY
 - PLATING:
 - CONTACT AREA: 0.76µm MIN. GOLD OVER 2.54µm MIN. NICKEL
 - TAIL AREA: 0.76µm - 1.52µm TIN OVER 1.27µm MIN NICKEL
 - THIS CONNECTOR IS DESIGNED TO MATE WITH MOLEX CABLE SERIES INDICATED IN THE MOLEX PRODUCT SPEC. PS-173124-0001.
 - REFER TO ROUTING GUIDE AS-173124-0002 FOR PCB TRACE INFORMATION.
 - PACKAGING SPECIFICATION: TRAY PACK PER PK-170501-0001.
 - REFER TO AS-170501-0001 FOR THE APPLICATION SPECIFICATION.
 - MOUNTING HARDWARE REQUIRED: M2x0.4 CAP SCREWS (6)
MOUNTING SCREW LENGTH: BOARD THICKNESS + 4mm MAX
 - THERMAL SOLUTION MUST PROVIDE MODULE GUIDANCE OR MODULE MAY STUB ON CONNECTOR DURING MATING. SAME FUNCTION AS COVER OR HEATSINK.



DETAIL 2 SCALE 8:1

THIS DRAWING CONTAINS INFORMATION THAT IS PROPRIETARY TO MOLEX ELECTRONIC TECHNOLOGIES, LLC AND SHOULD NOT BE USED WITHOUT WRITTEN PERMISSION									
DIMENSION UNITS		SCALE		CURRENT REV DESC: OBSOLETE PART NUMBERS					
mm		2:1							
GENERAL TOLERANCES (UNLESS SPECIFIED)									
ANGULAR TOL		± 0.5°		EC NO: 653275		2020/12/31		ZCXP BELLY TO BELLY SHORT ASSEMBLY	
4 PLACES		±		DRWN: SKANDB		2021/02/04		PRODUCT CUSTOMER DRAWING	
3 PLACES		±		CHK'D: GGA		2021/02/04		DOCUMENT NUMBER	
2 PLACES		± 0.25		APPR: GGA		2021/02/04		SD-173124-0003	
1 PLACE		±		INITIAL REVISION:		2017/02/16		DOC TYPE DOC PART REVISION	
0 PLACES		±		DRWN: NGK01		2017/04/17		PSD 000 B1	
DRAFT WHERE APPLICABLE MUST REMAIN WITHIN DIMENSIONS		THIRD ANGLE PROJECTION		DRAWING		SERIES		MATERIAL NUMBER CUSTOMER SHEET NUMBER	
				C-SIZE		173124		SEE TABLE GENERAL MARKET 1 OF 5	

DOCUMENT STATUS	P1	RELEASE DATE	2021/02/04	07:34:10
-----------------	----	--------------	------------	----------

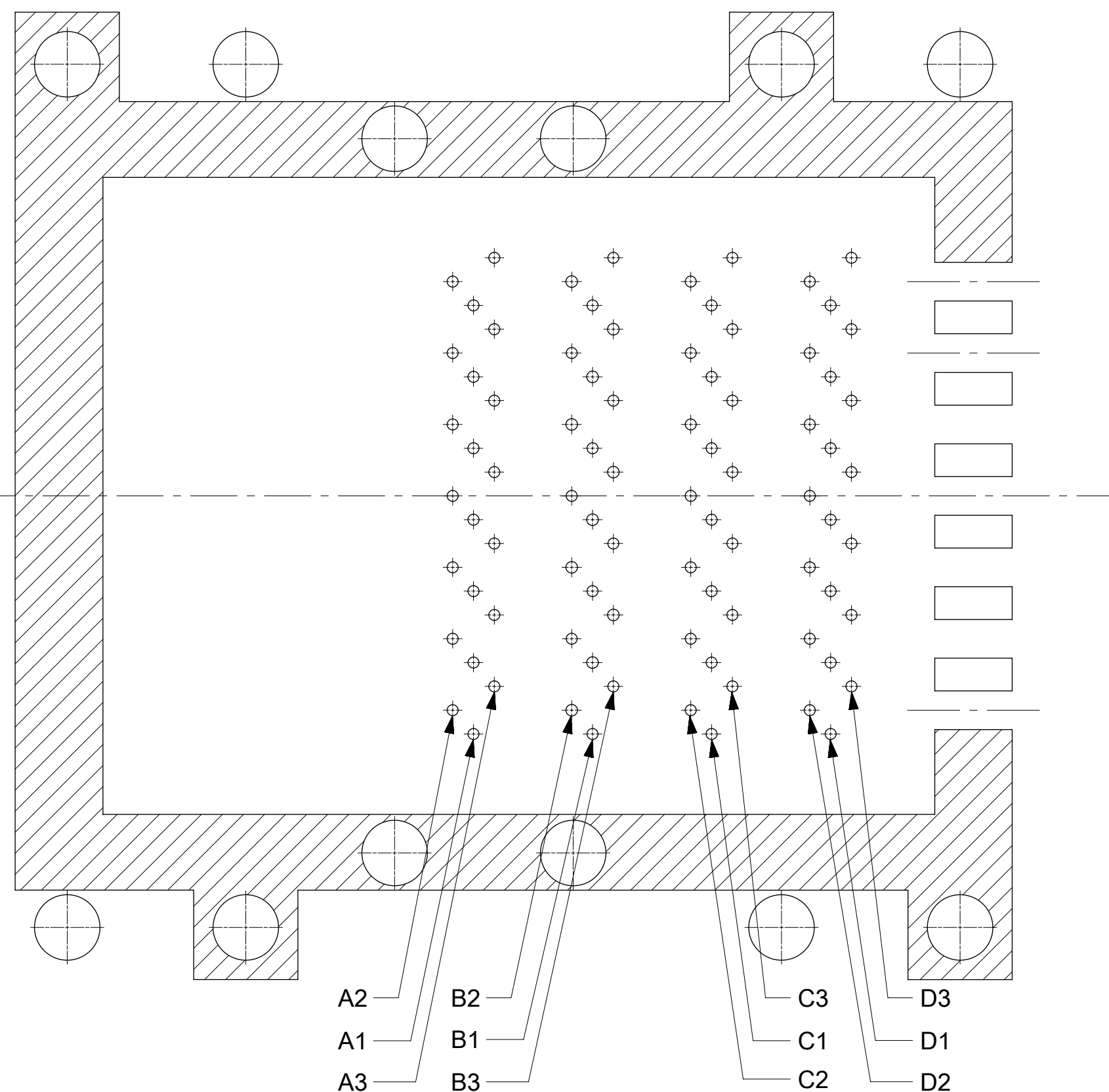
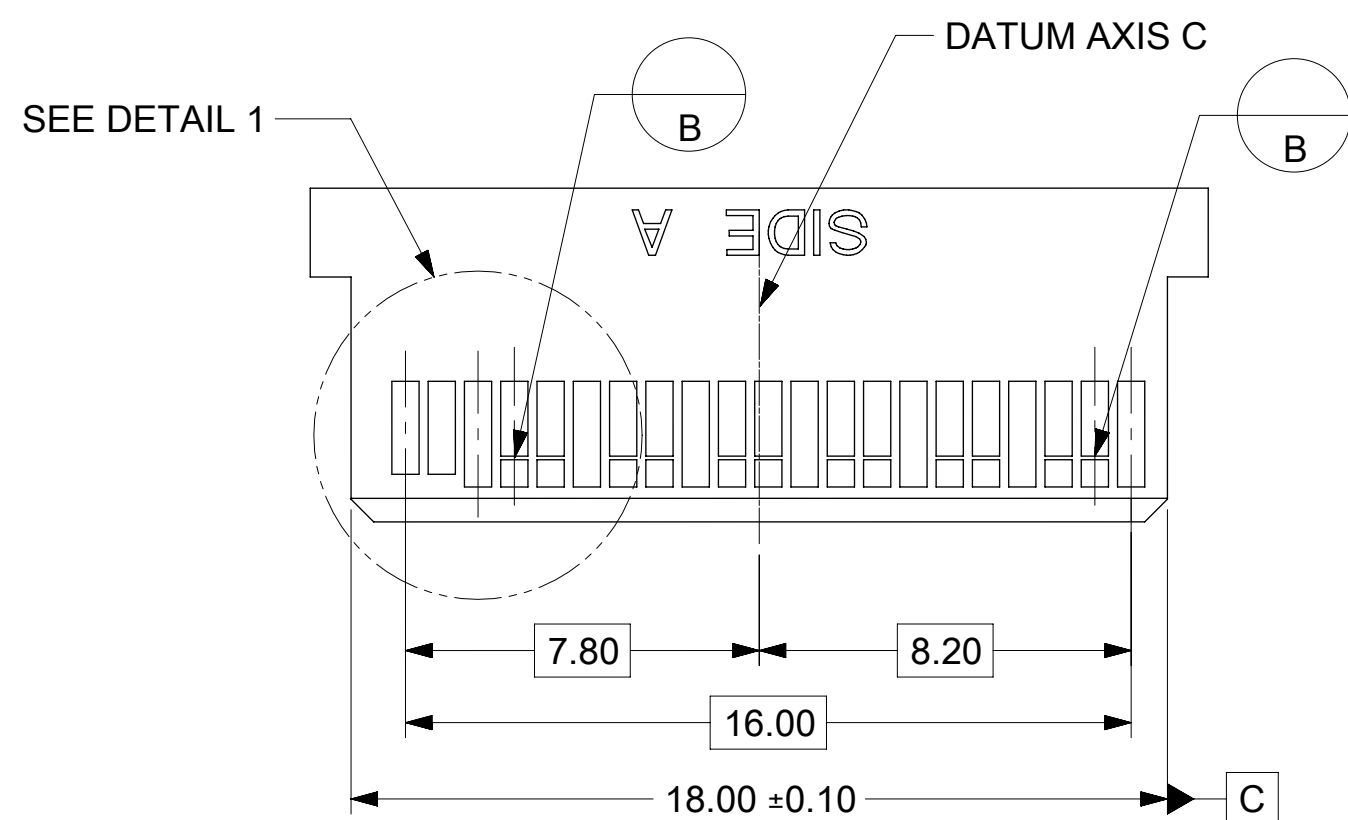
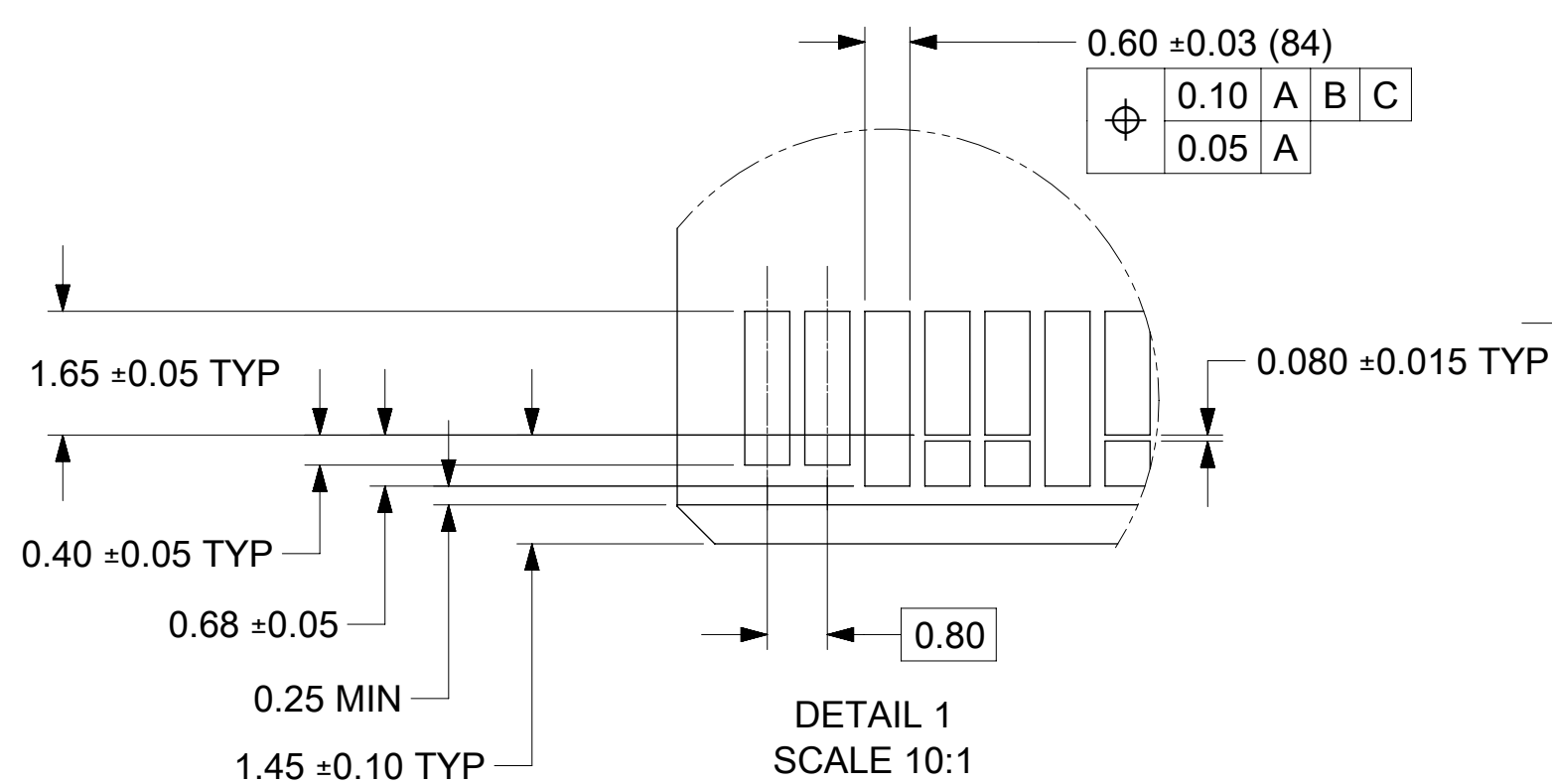
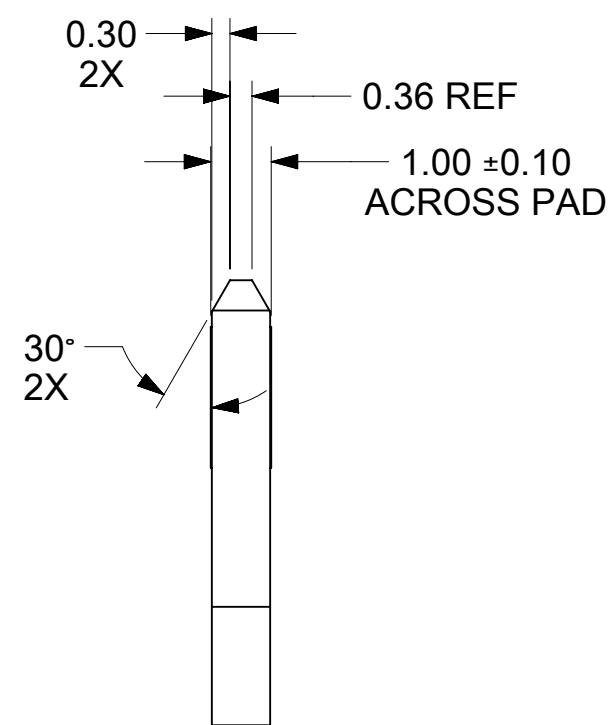
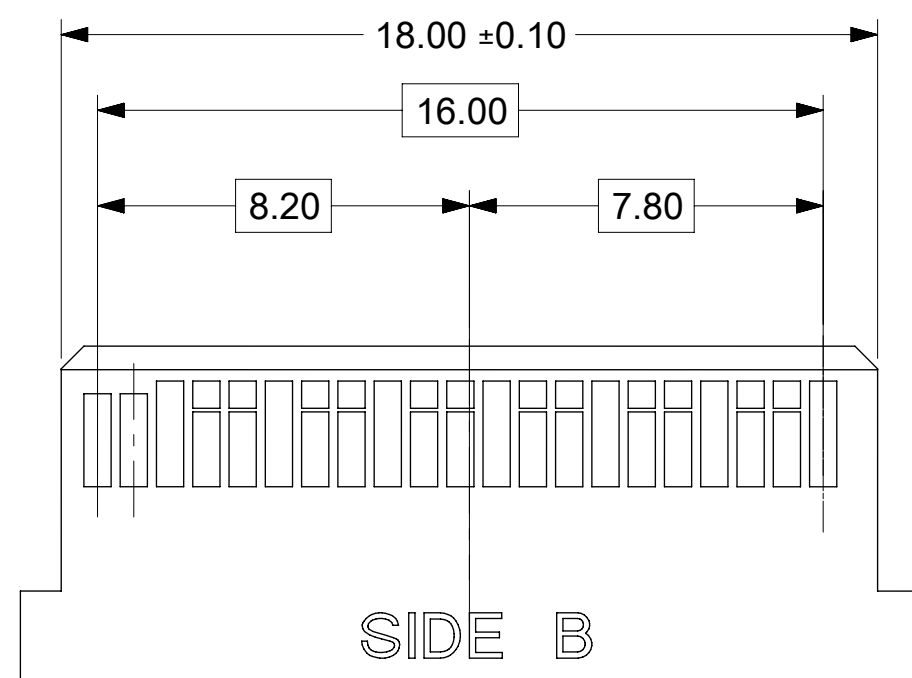


- NOTES:
- CROSS-HATCHED AREA TO BE CONDUCTIVE ON THE PCB.
 - CROSS-HATCHED AREA MUST BE INCORPORATED IN THE FLAT ROCK PRESS-FIT TOOLING.
 - REFER TO THE PLATING DETAIL OF THE COMPLIANT PIN HOLES IN THE APPLICATION SPEC AS-173124-0002 FOR THE DRILL SIZE AND ANNULAR RING FOR THE Ø0.37 FINISHED HOLE.
 - MINIMUM RECOMMENDED SPACING: 29.00
 - FEATURES IN PHANTOM LINES ARE RELATED FOR USE WITH CONNECTOR ASSEMBLY SERIES 173159 FOR GANGED SIDE BY SIDE AND BELLY TO BELLY APPLICATIONS.
 - NO SIGNAL ROUTING ON TOP LAYER.

RECOMMENDED PCB LAYOUT
COMPONENT SIDE SHOWN

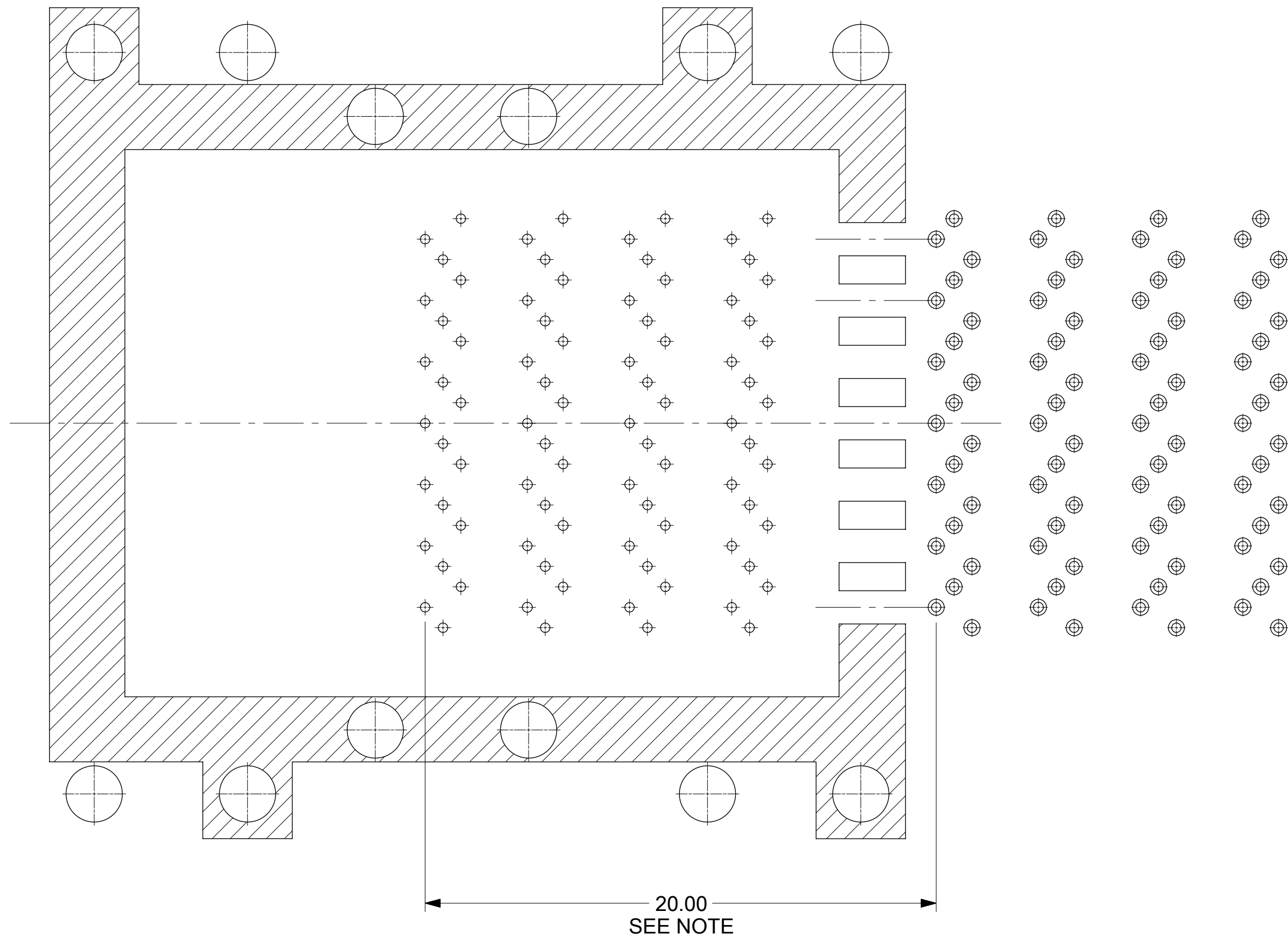
PCB THICKNESS: 1.44mm MIN.

THIS DRAWING CONTAINS INFORMATION THAT IS PROPRIETARY TO MOLEX ELECTRONIC TECHNOLOGIES, LLC AND SHOULD NOT BE USED WITHOUT WRITTEN PERMISSION											
DIMENSION UNITS		SCALE		CURRENT REV DESC: OBSOLETE PART NUMBERS							
mm		6:1		<p>molex</p> <p>ZCXP BELLY TO BELLY SHORT ASSEMBLY</p> <p>PRODUCT CUSTOMER DRAWING</p> <p>DOCUMENT NUMBER: SD-173124-0003</p> <p>DOC TYPE: PSD</p> <p>DOC PART: 000</p> <p>REVISION: B1</p> <p>MATERIAL NUMBER: SEE TABLE</p> <p>CUSTOMER: GENERAL MARKET</p> <p>SHEET NUMBER: 2 OF 5</p>							
GENERAL TOLERANCES (UNLESS SPECIFIED)											
ANGULAR TOL ± 0.5°											
4 PLACES ±		EC NO: 653275									
3 PLACES ±		DRWN: SKANDB									
2 PLACES ± 0.25		CHK'D: GGA									
1 PLACE ±		APPR: GGA									
0 PLACES ±		INITIAL REVISION:									
DRAFT WHERE APPLICABLE MUST REMAIN WITHIN DIMENSIONS		THIRD ANGLE PROJECTION		DRAWING		SERIES		MATERIAL NUMBER		CUSTOMER	
		C-SIZE		173124		2020/12/31		2021/02/04		2021/02/04	
				2017/02/16		2017/04/17					



- NOTES:
- 0.03 MINIMUM KEEP OUT FOR SOLDER MASK AROUND ALL PADS
 - DATUM B TARGETS ARE DEFINED BY THE RESPECTIVE PAD CENTER LINES AND THE LEADING EDGE OF THE TARGET PADS

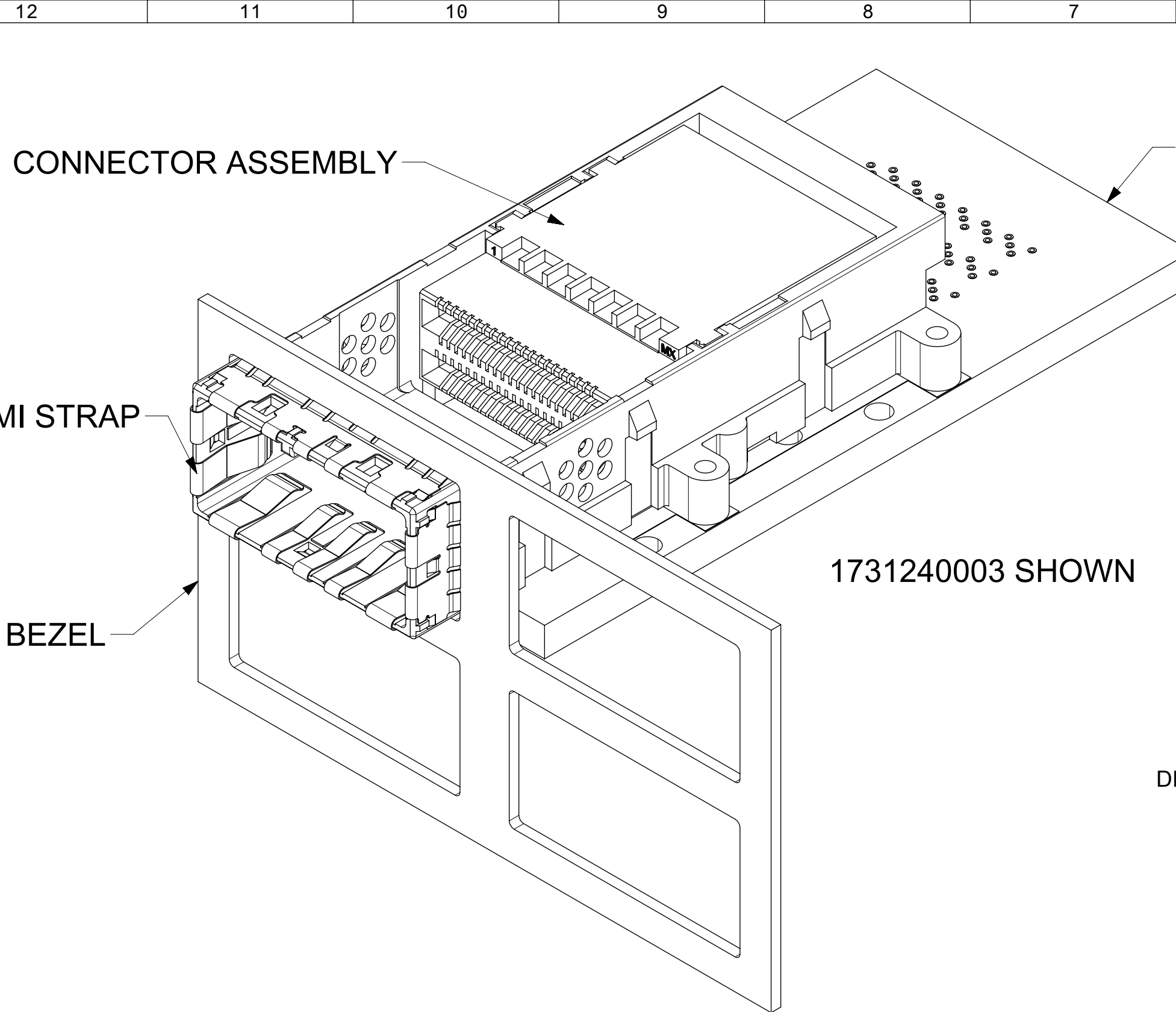
THIS DRAWING CONTAINS INFORMATION THAT IS PROPRIETARY TO MOLEX ELECTRONIC TECHNOLOGIES, LLC AND SHOULD NOT BE USED WITHOUT WRITTEN PERMISSION											
DIMENSION UNITS		SCALE		CURRENT REV DESC: OBSOLETE PART NUMBERS						molex	
mm		6:1									
GENERAL TOLERANCES (UNLESS SPECIFIED)				EC NO: 653275						ZCXP BELLY TO BELLY SHORT ASSEMBLY	
ANGULAR TOL ± 0.5°				DRWN: SKANDB 2020/12/31							
4 PLACES ±				CHK'D: GGA 2021/02/04						PRODUCT CUSTOMER DRAWING	
3 PLACES ±				APPR: GGA 2021/02/04							
2 PLACES ± 0.25				INITIAL REVISION:						DOCUMENT NUMBER	
1 PLACE ±				DRWN: NGK01 2017/02/16							
0 PLACES ±				APPR: SMILLER 2017/04/17						SD-173124-0003	
DRAFT WHERE APPLICABLE MUST REMAIN WITHIN DIMENSIONS				THIRD ANGLE PROJECTION		DRAWING		SERIES		MATERIAL NUMBER	
				C-SIZE		173124		SEE TABLE		CUSTOMER	
								GENERAL MARKET		SHEET NUMBER	
										3 OF 5	



NOTE:
1. WHEN USED WITH CONNECTOR SERIES 173159
VIA PATTERN WILL APPEAR AS SHOWN.

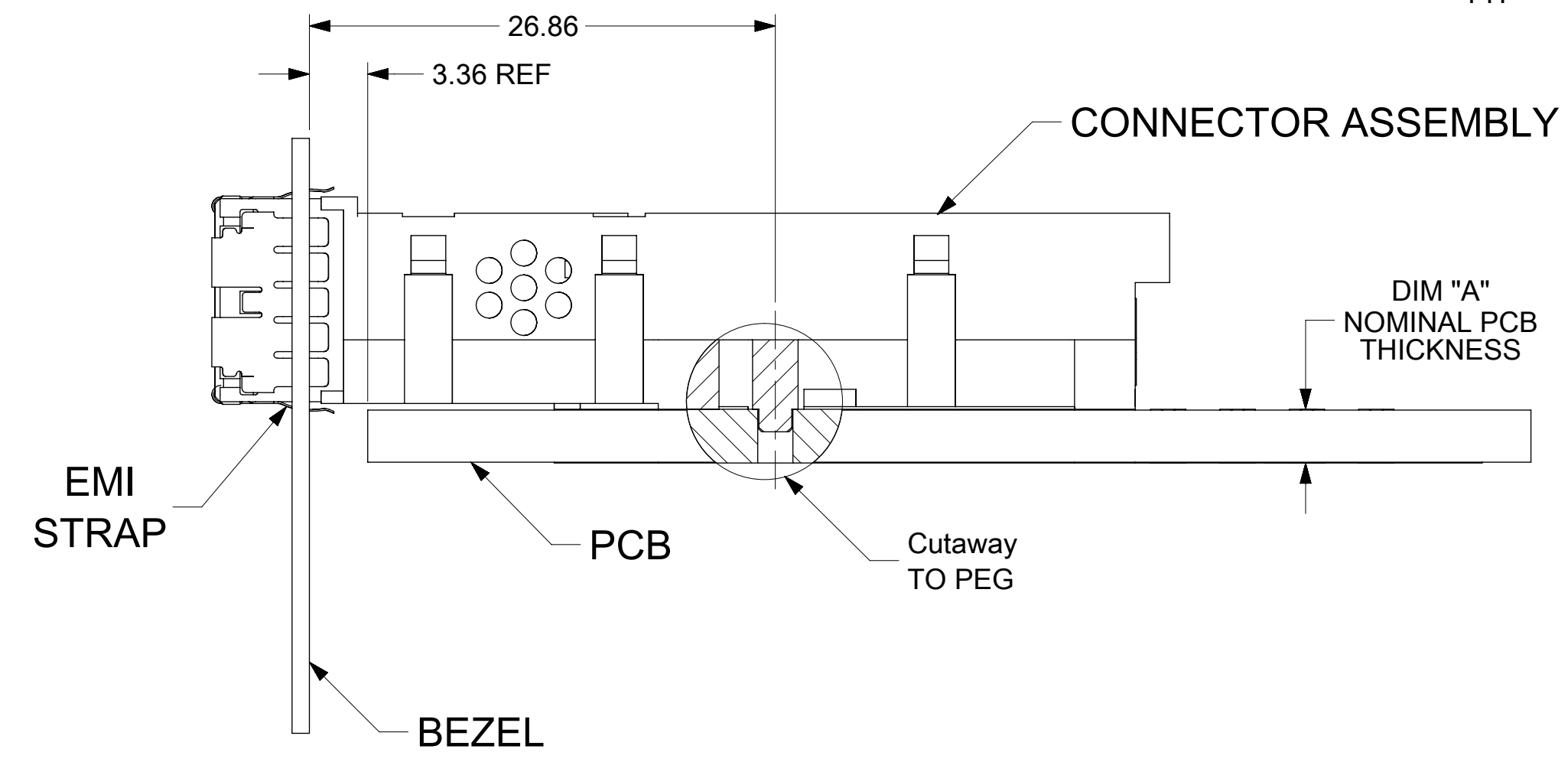
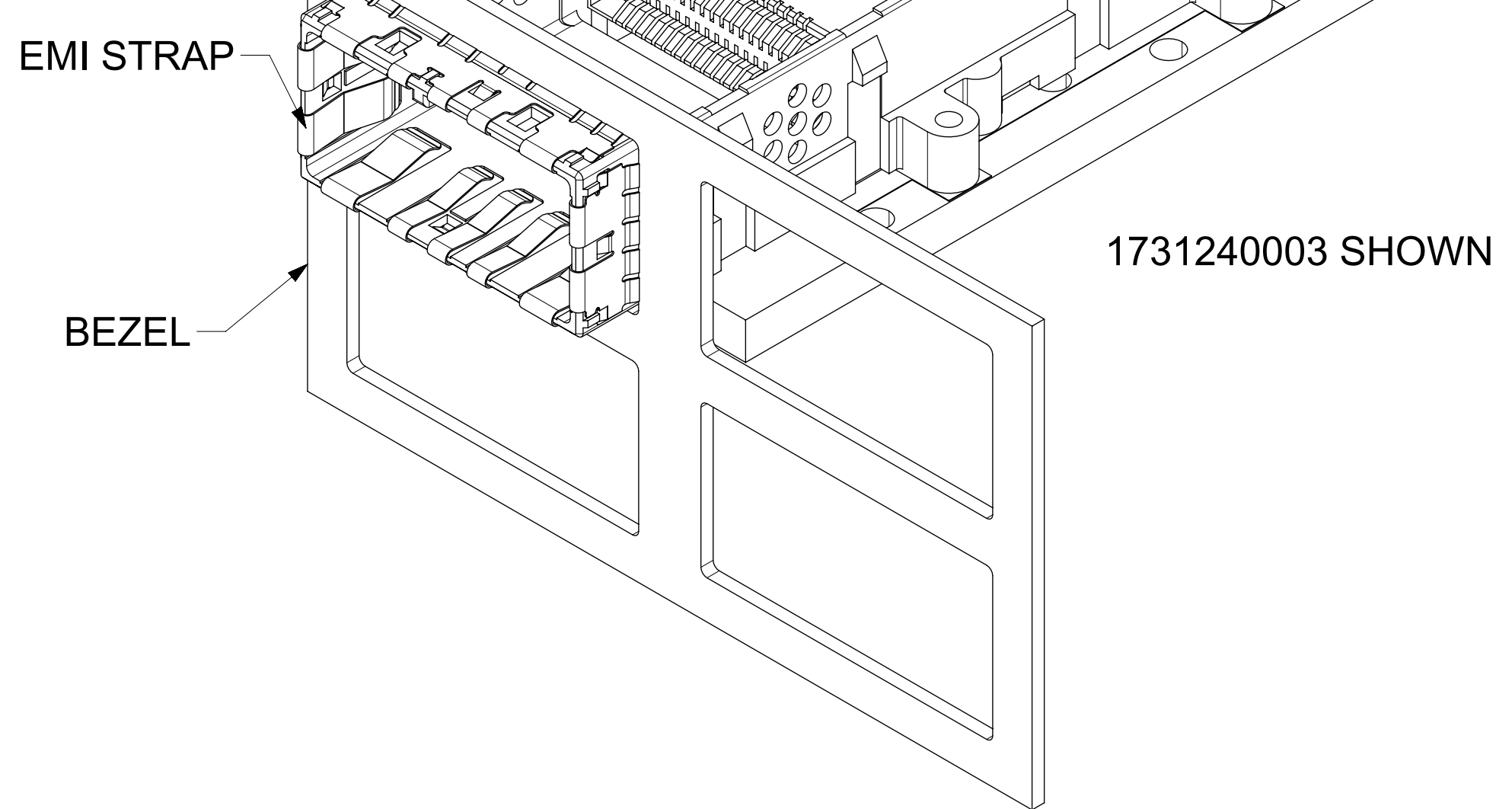
THIS DRAWING CONTAINS INFORMATION THAT IS PROPRIETARY TO MOLEX ELECTRONIC TECHNOLOGIES, LLC AND SHOULD NOT BE USED WITHOUT WRITTEN PERMISSION									
DIMENSION UNITS		SCALE		CURRENT REV DESC: OBSOLETE PART NUMBERS					
mm		6:1							
GENERAL TOLERANCES (UNLESS SPECIFIED)				EC NO: 653275				ZCXP BELLY TO BELLY SHORT ASSEMBLY	
ANGULAR TOL ± 0.5°				DRWN: SKANDB 2020/12/31					
4 PLACES ±				CHK'D: GGA 2021/02/04				PRODUCT CUSTOMER DRAWING	
3 PLACES ±				APPR: GGA 2021/02/04					
2 PLACES ± 0.25				INITIAL REVISION:				DOCUMENT NUMBER SD-173124-0003	
1 PLACE ±				DRWN: NGK01 2017/02/16					
0 PLACES ±				APPR: SMILLER 2017/04/17				DOC TYPE DOC PART REVISION PSD 000 B1	
DRAFT WHERE APPLICABLE MUST REMAIN WITHIN DIMENSIONS		THIRD ANGLE PROJECTION		DRAWING		SERIES		SHEET NUMBER	
				C-SIZE		173124		4 OF 5	
MATERIAL NUMBER		CUSTOMER		SEE TABLE		GENERAL MARKET			

DOCUMENT STATUS	P1	RELEASE DATE	2021/02/04	07:34:10
-----------------	----	--------------	------------	----------



DIM "A"	DIM "B"	DIM "C"	MINIMUM PCB
3.10	3.32	15.67	10% NOM THK
1.60	1.82	14.17	1.44
2.80	3.02	15.37	10% NOM THK

NOTE: WITH 1.44 MINIMUM PCB THICKNESS, WILL NOT SUPPORT PLUGS WITH GREATER THAN 28 AWG CABLE.



THIS DRAWING CONTAINS INFORMATION THAT IS PROPRIETARY TO MOLEX ELECTRONIC TECHNOLOGIES, LLC AND SHOULD NOT BE USED WITHOUT WRITTEN PERMISSION									
DIMENSION UNITS: mm		SCALE: 3:1		CURRENT REV DESC: OBSOLETE PART NUMBERS				molex	
GENERAL TOLERANCES (UNLESS SPECIFIED)		EC NO: 653275		2020/12/31		ZCXP BELLY TO BELLY SHORT ASSEMBLY			
ANGULAR TOL ± 0.5°		4 PLACES ±		DRWN: SKANDB		2021/02/04		PRODUCT CUSTOMER DRAWING	
3 PLACES ±		2 PLACES ± 0.25		CHK'D: GGA		2021/02/04		DOCUMENT NUMBER	
1 PLACE ±		0 PLACES ±		APPR: GGA		2021/02/04		DOC TYPE	
DRAFT WHERE APPLICABLE MUST REMAIN WITHIN DIMENSIONS		THIRD ANGLE PROJECTION		INITIAL REVISION:		2017/02/16		DOC PART	
				DRWN: NGK01		2017/04/17		REVISION	
				APPR: SMILLER		2017/04/17		SD-173124-0003	
				DRAWING: C-SIZE		SERIES: 173124		PSD 000 B1	
				MATERIAL NUMBER: SEE TABLE		CUSTOMER: GENERAL MARKET		SHEET NUMBER: 5 OF 5	

DOCUMENT STATUS	P1	RELEASE DATE	2021/02/04	07:34:10
-----------------	----	--------------	------------	----------