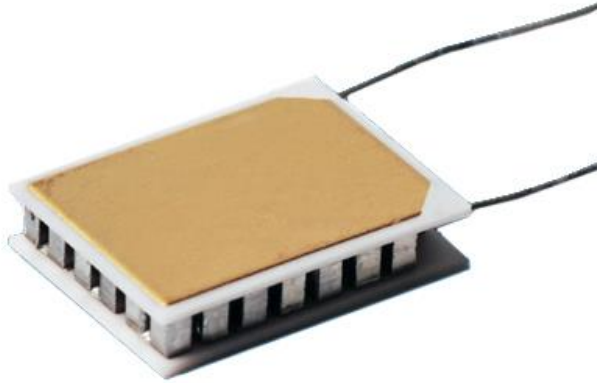




Technical Data Sheet for CM23-1.9

Commercial Module for CATV & SLED Applications



NOMINAL PERFORMANCE IN NITROGEN

Hot Side Temperature (°C)	27	85
ΔT_{max} (°C):	71	92
Q _{max} (watts):	3.4	4.1
I _{max} (amps):	1.9	1.8
V _{max} (vdc):	2.8	3.5
AC Resistance (ohms):	1.23	--

PRODUCT FEATURES

- RoHS EU Compliant: CM23-1.9-01AC, -03AC, -04AC, -05AC, -07AC, -17AC
- Not RoHS EU Compliant: CM23-1.9-06AC, -08AC, -09AC
- Ceramic Material: Aluminum Oxide
- Au flash exterior, suitable for soldering.
- Maximum process temperature is 220°C.
- Height includes metallization, where applicable, and excludes tinning.

ORDERING OPTIONS

Model Number	Description
CM23-1.9-01AC	Metallized Exterior
CM23-1.9-03AC	Non Metallized Exterior
CM23-1.9-04AC	146°C Pretinned Exterior
CM23-1.9-05AC	138°C Pretinned Exterior
CM23-1.9-06AC	138°C/183°C Pretinned Exterior
CM23-1.9-07AC	138°C Pretinned Exterior and 2 sides encapsulated
CM23-1.9-08AC	118°C/183°C Pretinned Exterior
CM23-1.9-09AC	118°C/183°C Pretinned Exterior with Teflon Sleaving.
CM23-1.9-17AC	138°C Pretinned Exterior and 4 sides encapsulated

OPERATION CAUTIONS

For maximum reliability, storage and operation below 85°C in a non-condensing environment is recommended. To minimize thermal stress, use linear/proportional temperature control or a similar method rather than an ON/OFF method.

INSTALLATION

Recommended mounting methods: Bonding with thermal epoxy or soldering with metallized ceramics. For additional information, please refer to our TEC Installation Guide.

II-VI Marlow – Dallas, TX USA
214-340-4900
877-627-5691
marlow.sales@ii-vi.com

Marlow Industries Europe
GmbH - Germany
+49 (0) 6150 5439 - 403
info@marlow-europe.eu

II-VI Japan Inc.
81 43 297 2693 (tel)
center@ii-vi.co.jp
www.ii-vi.co.jp

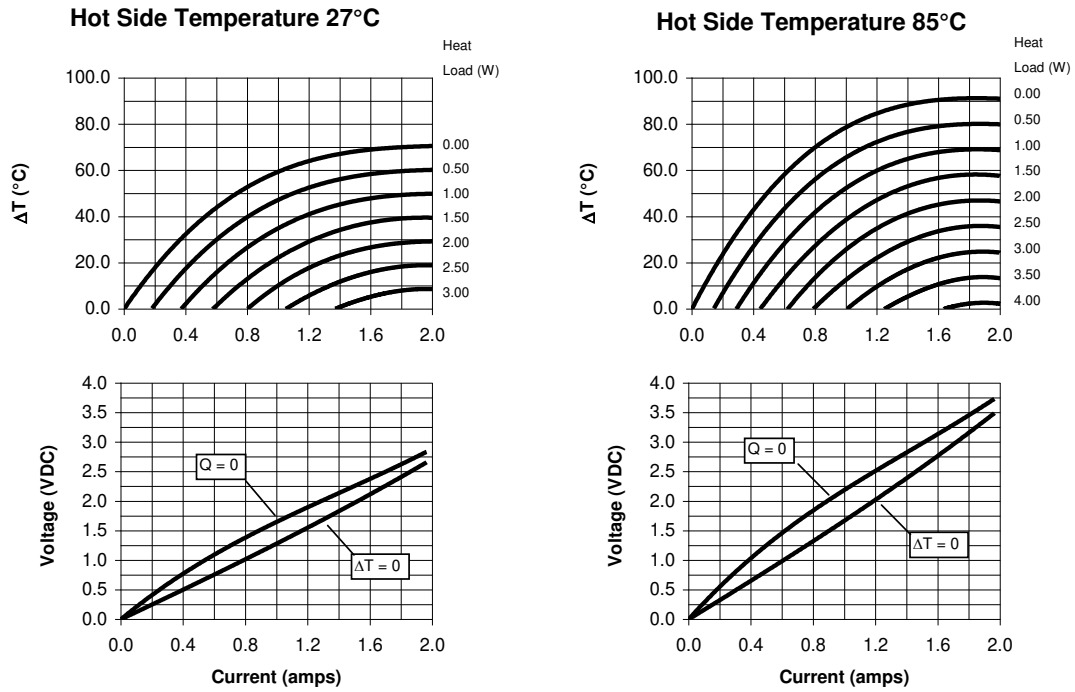
II-VI Singapore Pte., Ltd.
(65) 6481 8215 (tel)
info@ii-vi.com.sg

Marlow Industries China, II-VI
Technologies Beijing
86-10-643 98226
info@iivibj.com



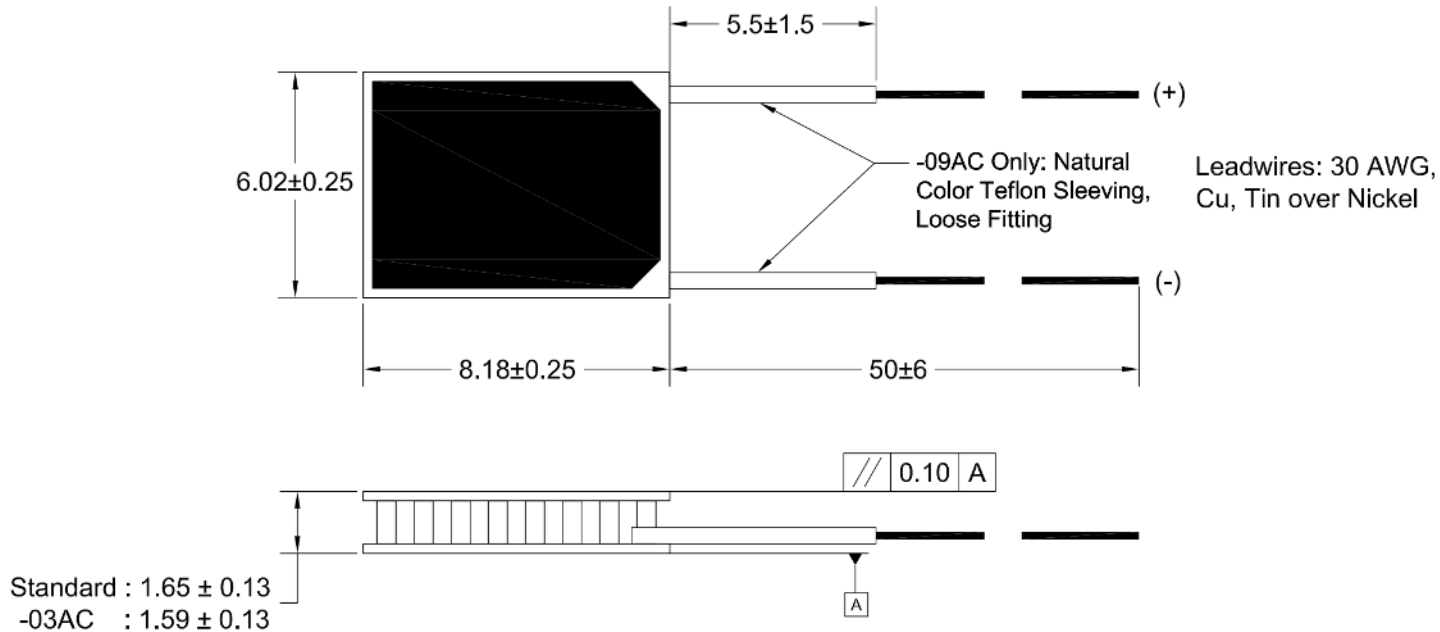
TYPICAL PERFORMANCE CURVES

ENVIRONMENT: ONE ATMOSPHERE DRY NITROGEN



For performance information in a vacuum or with hot side temperatures other than 27°C or 85°C, contact one of our Applications Engineers at 877-627-5691.

MECHANICAL CHARACTERISTICS



All dimensions are in millimeters unless otherwise stated.

For customer support or general questions please contact a local office or visit our website at www.marlow.com.
Marlow reserves the right to make product changes without notice.