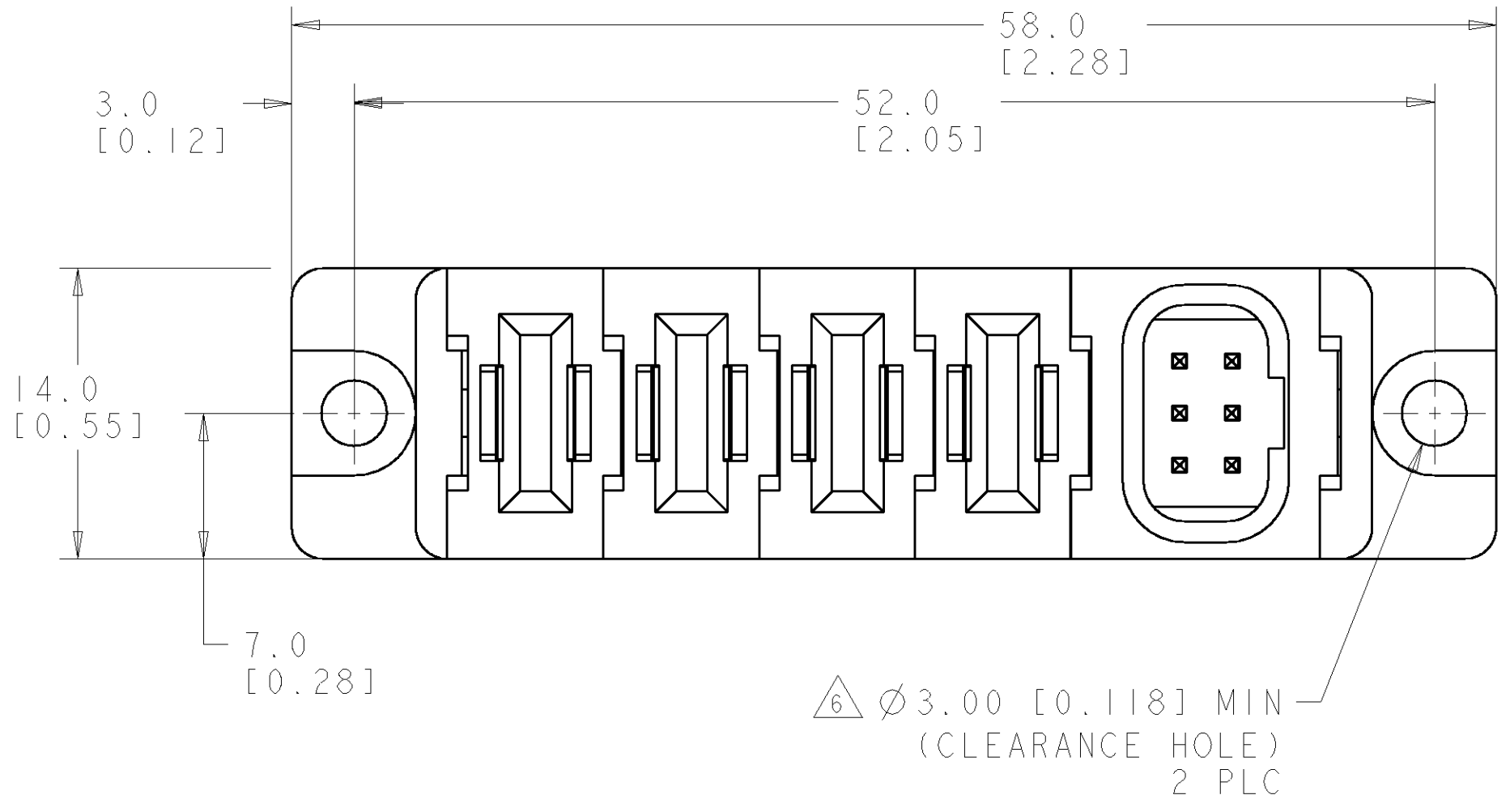


THIS DRAWING IS UNPUBLISHED. RELEASED FOR PUBLICATION 20
 © COPYRIGHT 20 BY TYCO ELECTRONICS CORPORATION. ALL RIGHTS RESERVED.

LOC	DIST	REVISIONS					
GP	00	P	LTR	DESCRIPTION	DATE	DWN	APVD
			A	RELEASED	24JAN2006	RG	PD

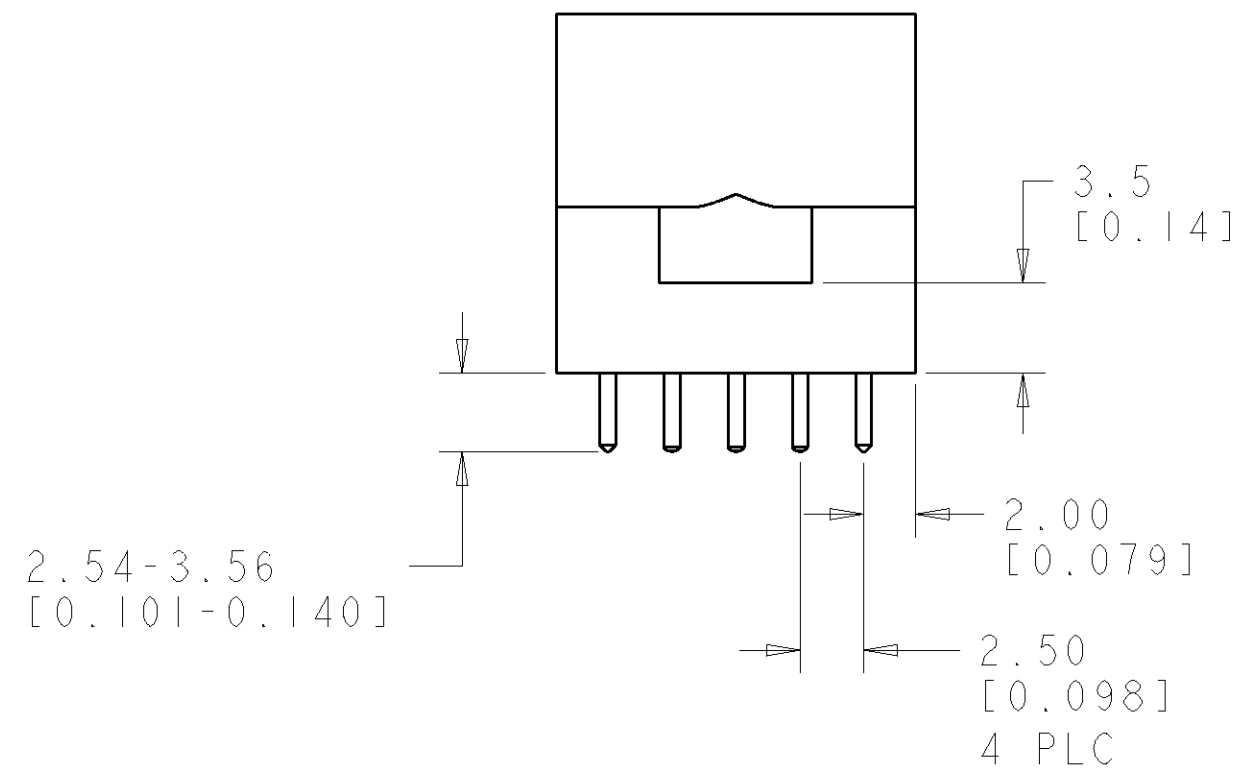
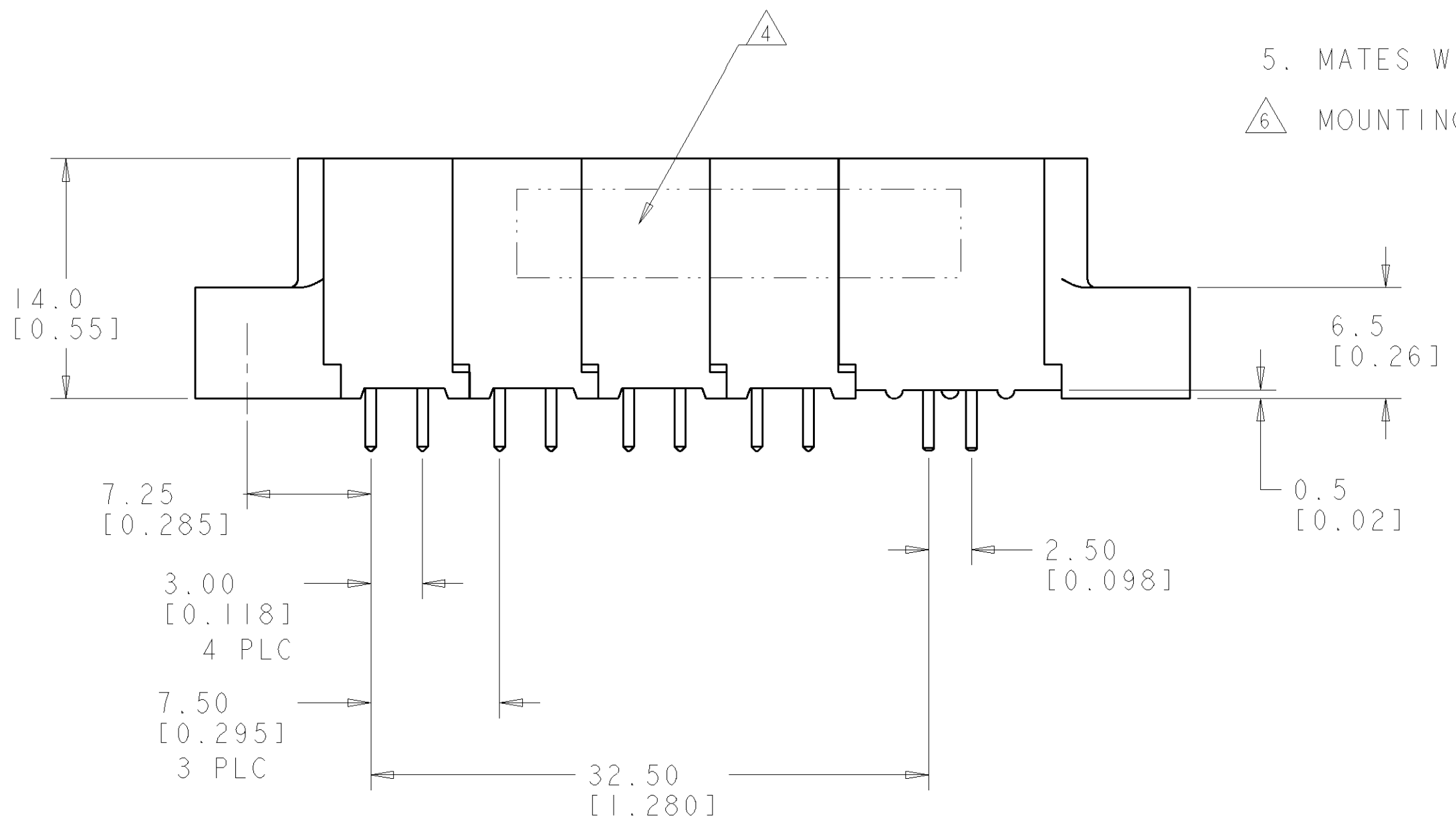


- PART NUMBER CHANGES AND OR DESIGN CHANGES AFFECTING ITEM INTERCHANGEABILITY REQUIRE PRIOR TYCO APPROVAL AND AUTHORIZATION BY REVISION TO THIS DRAWING.
- MATERIAL:
 - INSULATORS - THERMOPLASTIC, GLASS REINFORCED, COLOR: BLACK UL94V-0 FLAMMABILITY RATED.
 - POWER CONTACTS - PHOSPHOR BRONZE ALLOY, COPPER ALLOY
 - CROWN BANDS - BERYLLIUM COPPER ALLOY
 - SIGNAL CONTACTS - BRASS ALLOY
- FINISH:
 - CONTACTS - GOLD PLATE .000030 INCH MIN. THK., OVER NICKEL, .000040 INCH MIN. THK SOLDER TAILS, TIN .000100 INCH MIN. THK.

△ ITEMS PROVIDED TO THIS SPECIFICATION TO BE PERMANENTLY IDENTIFIED PER THE FOLLOWING IDENTIFIER LABEL

YEAR WEEK
 TYCO PART NO. & REV DATE CODE (e.g. 0106)
 XXXXXXXX-X XXXX

- MATES WITH TYCO P/N 6648043-1
- MOUNTING FLANGES ACCEPT M3 OR #4-40 SCREWS (USER SUPPLIED)



AS SHOWN	6646661-1
DESCRIPTION	PART NUMBER

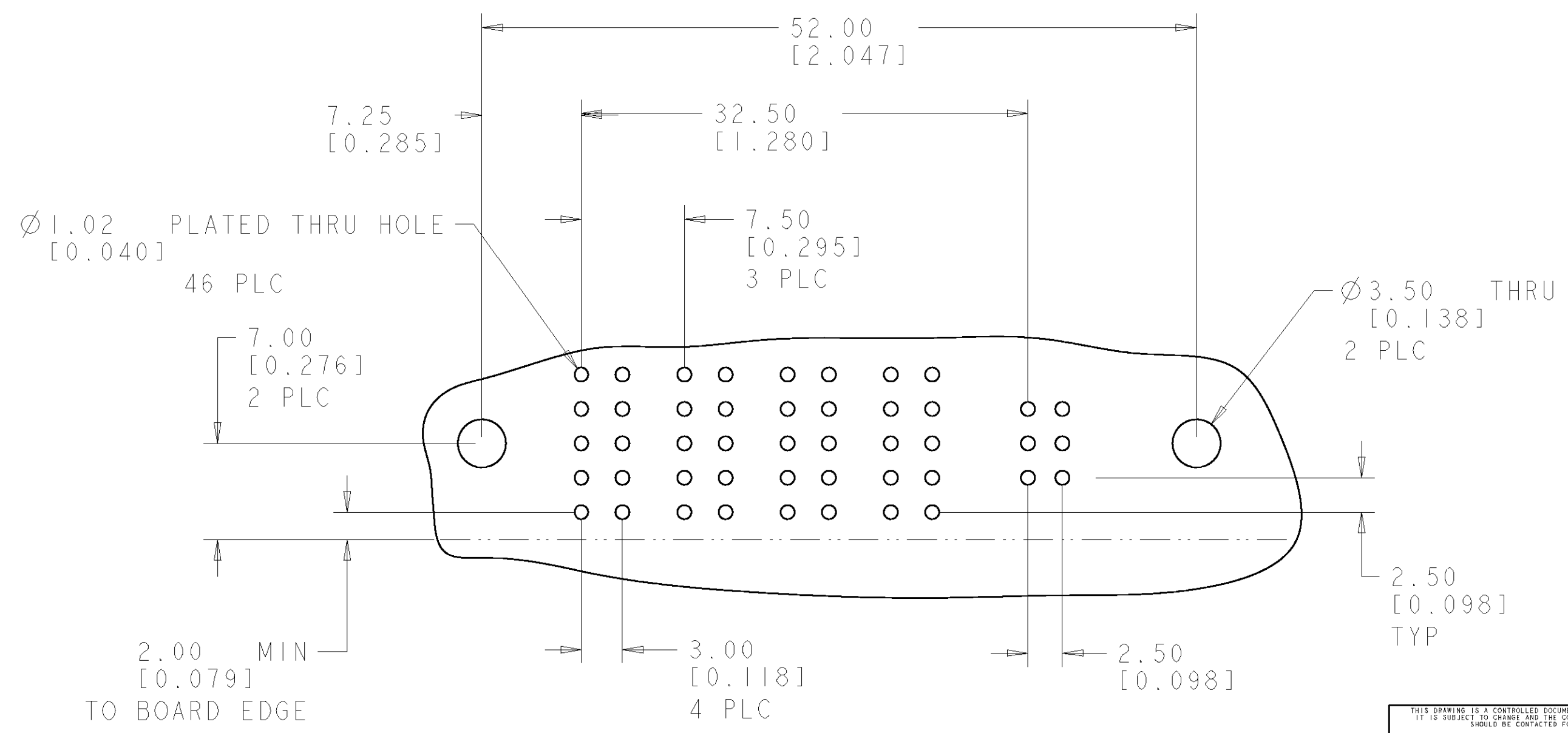
THIS DRAWING IS A CONTROLLED DOCUMENT FOR TYCO ELECTRONICS CORPORATION. IT IS SUBJECT TO CHANGE AND THE CONTROLLING ENGINEERING ORGANIZATION SHOULD BE CONTACTED FOR THE LATEST REVISION.		DWN R. GRZYBOWSKI 24JAN2006	Tyco Electronics Harrisburg, PA 17105-3608
DIMENSIONS: mm [INCHES]		CHK P. DAMATO 24JAN2006	
TOLERANCES UNLESS OTHERWISE SPECIFIED:		APVD S. FLICKINGER 24JAN2006	NAME
0 PLC ±.5 [0.020] 1 PLC ±.25 [0.010] 2 PLC ±.25 [0.010] 3 PLC ±.25 [0.010] 4 PLC ±.25 [0.010] ANGLES ±.5 FINISH		PRODUCT SPEC	PIN CONNECTOR, FLATPAQ STRAIGHT SOLDER TAILS
MATERIAL		APPLICATION SPEC	SIZE
		WEIGHT	A200779C-6646661
		CUSTOMER DRAWING	RESTRICTED TO
		SCALE 4:1	SHEET 1 OF 2 REV A

ELCON FLATPAQ

THIS DRAWING IS UNPUBLISHED. RELEASED FOR PUBLICATION 20
 © COPYRIGHT 20 BY TYCO ELECTRONICS CORPORATION. ALL RIGHTS RESERVED.

LOC	DIST	REVISIONS					
GP	00	P	LTR	DESCRIPTION	DATE	DWN	APVD
		-		SEE SHEET 1	-	-	-

CONNECTOR	CATALOG MODULE #	QTY	SIZE NO.	CONTACT QTY	MATING PIN	MAX. CURRENT (PER CONTACT)	CONTACT SPACING	VOLTAGE RATING
PIN	FPI100	4	8	4	1.25 X 7.00 [.049 X .276]	35 amps	7.50 [.2953]	250
	FPI312	1	22	6	.64 [.025] SQ.	3 amps	2.50 [.0984]	125 VOLTS
	FPI500	1	LEFT MOUNTING FLANGE					
	FPI501	1	RIGHT MOUNTING FLANGE					



PRINTED CIRCUIT LAYOUT
SCALE 3:1

<small>THIS DRAWING IS A CONTROLLED DOCUMENT FOR TYCO ELECTRONICS CORPORATION. IT IS SUBJECT TO CHANGE AND THE CONTROLLING ENGINEERING ORGANIZATION SHOULD BE CONTACTED FOR THE LATEST REVISION.</small>		DWN R. GRZYBOWSKI 24 JAN 2006 CHK P. DAMATO 24 JAN 2006 APVD S. FLICKINGER 24 JAN 2006	tyco Tyco Electronics Harrisburg, PA 17105-3608
DIMENSIONS: mm [INCHES]	TOLERANCES UNLESS OTHERWISE SPECIFIED: 0 PLC ±.5 [.020] 1 PLC ±.25 [.010] 2 PLC ±.25 [.010] 3 PLC ±. 4 PLC ±. ANGLES ±.5 FINISH	NAME PRODUCT SPEC APPLICATION SPEC WEIGHT	PIN CONNECTOR, FLATPAQ STRAIGHT SOLDER TAILS SIZE CAGE CODE DRAWING NO RESTRICTED TO A200779C-6646661 -
MATERIAL		CUSTOMER DRAWING	SCALE 4:1 SHEET 2 OF 2 REV A