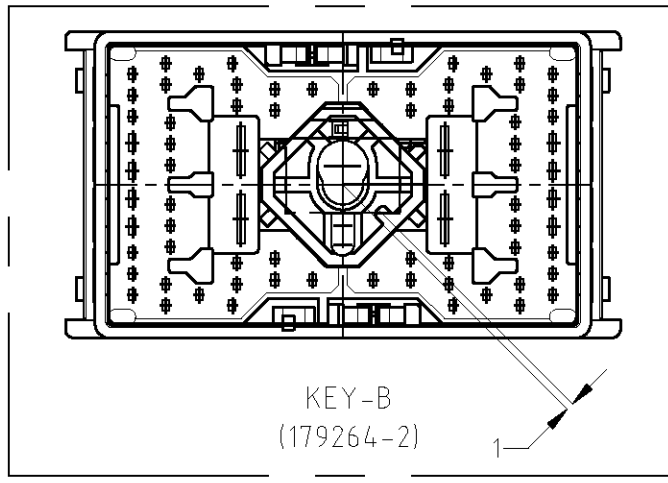
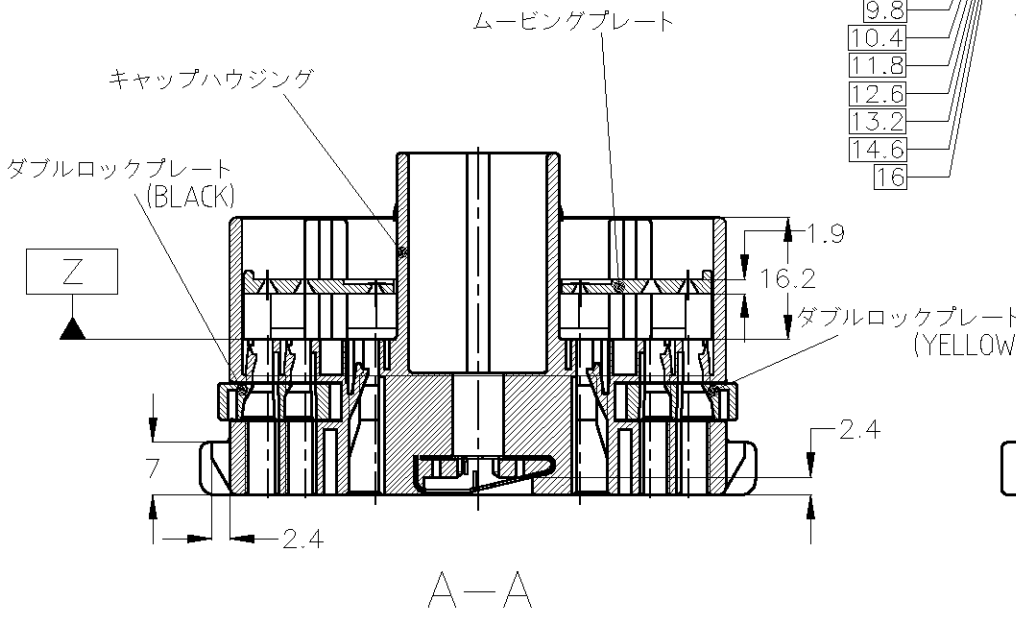
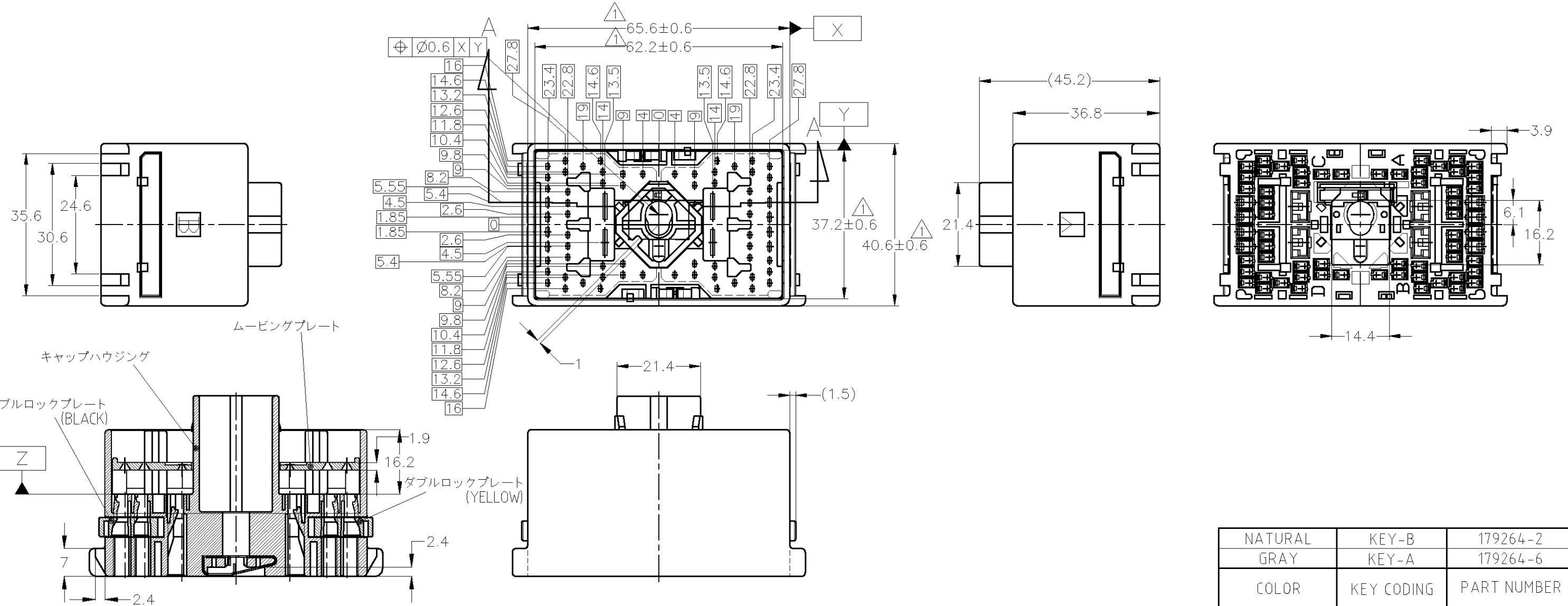


THIS DRAWING IS UNPUBLISHED. RELEASED FOR PUBLICATION  
 © COPYRIGHT BY TYCO ELECTRONICS CORPORATION. ALL INTERNATIONAL RIGHTS RESERVED.

LOC	DIST	REVISIONS					
		P	LTR	DESCRIPTION	DATE	DWN	APVD
J	—	A1	REVISED	ECR-09-008700	17APR09	SK	HY



-6(KEY-A):AS SHOWN  
 -6(KEY-A):本図



COLOR	KEY CODING	PART NUMBER
NATURAL	KEY-B	179264-2
GRAY	KEY-A	179264-6

△ TO BE MEASURED AT 2mm FROM [Z]  
 △ [Z]面より2mmの範囲で測定。

TOLERANCE UNLESS OTHERWISE SPECIFIED: 一般公差

0 < x ≤ 10	: ±0.2
10 < x ≤ 30	: ±0.25
30 < x ≤ 100	: ±0.3
ANGLE : 角度	: ±3°

THIS DRAWING IS A CONTROLLED DOCUMENT.

DWN	S.AMEMIYA	03MAR95
CHK	K.ODA	03MAR95
APVD	Y.MATSUSAKA	03MAR95
PRODUCT SPEC	—	
APPLICATION SPEC	—	
WEIGHT	53 g	

MATERIAL: PBT

FINISH: SEE TABLE

APPROVALS:

NAME	Tyco Electronics Corporation Kawasaki, Japan	
NAME	70POSITION CAP HOUSING ASSEMBLY SELF ALIGNING INTER CONNECTOR	
SIZE	A3	
CAGE CODE	00779	
DRAWING NO	C-179264	
RESTRICTED TO	—	

CUSTOMER DRAWING

SCALE: 1:1

SHEET: 1 OF 1

REV: A1