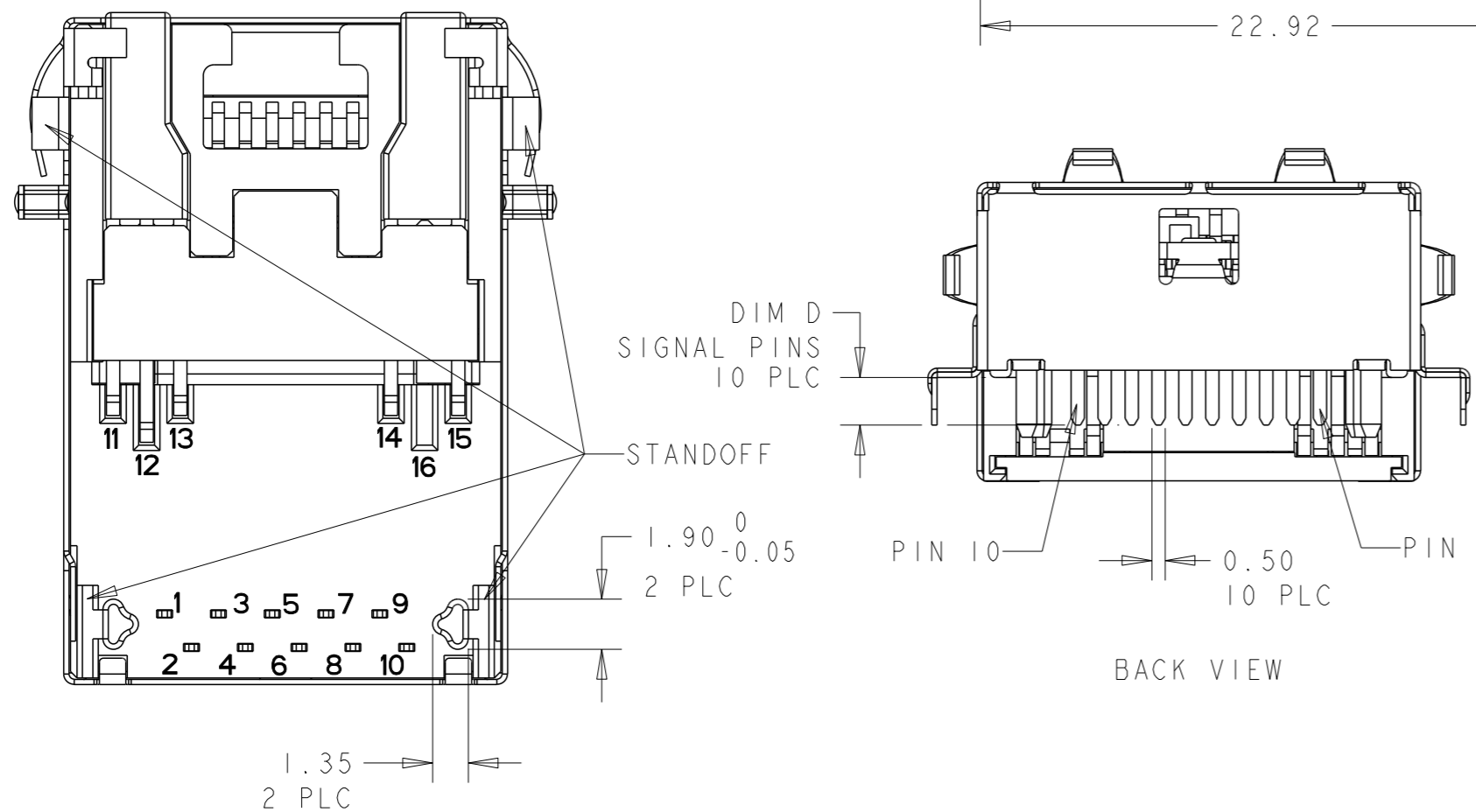
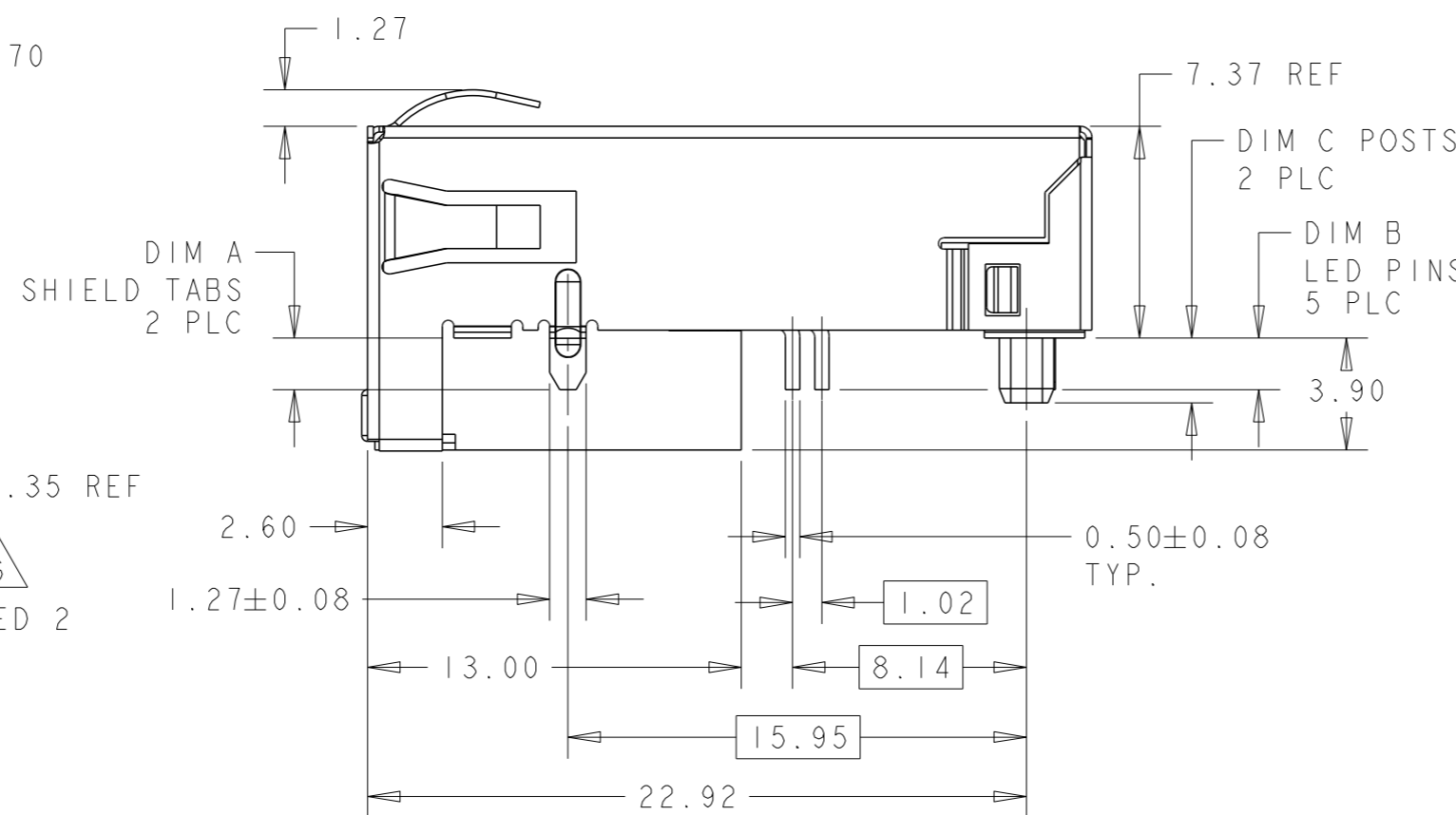
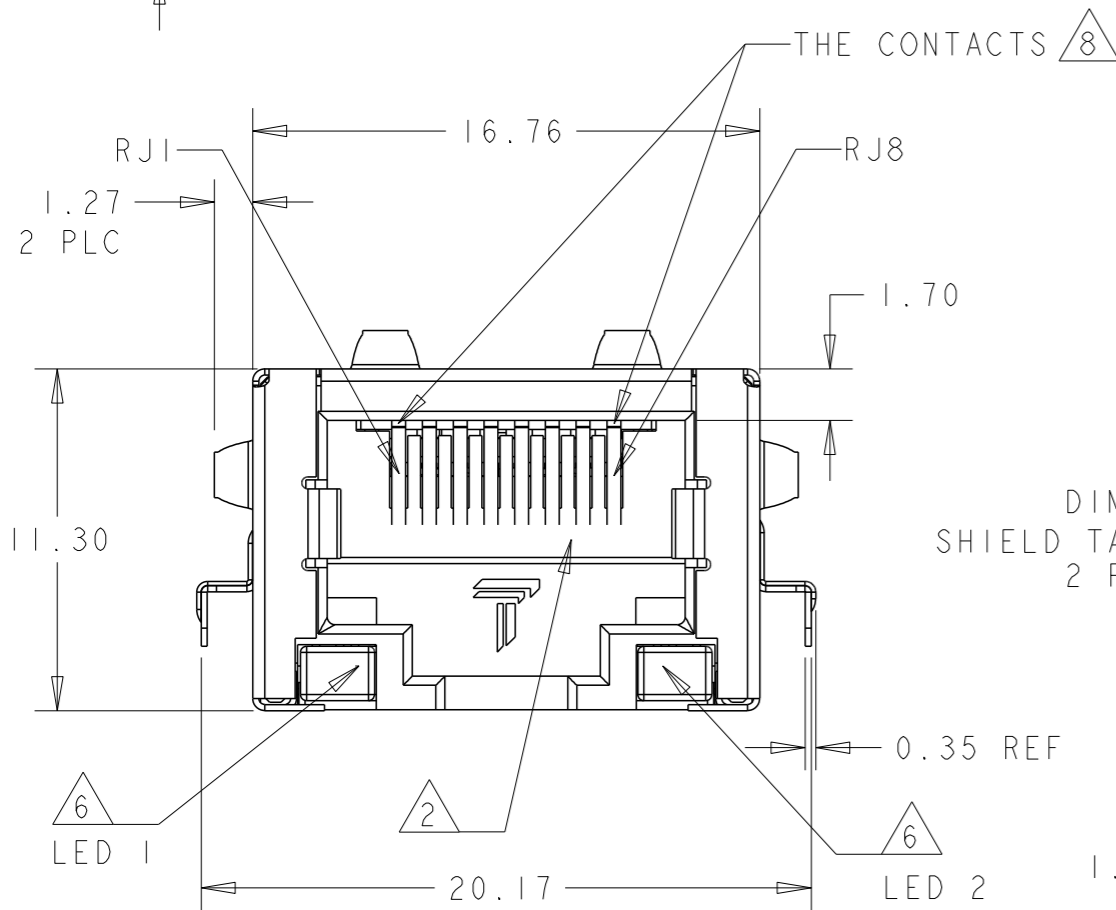
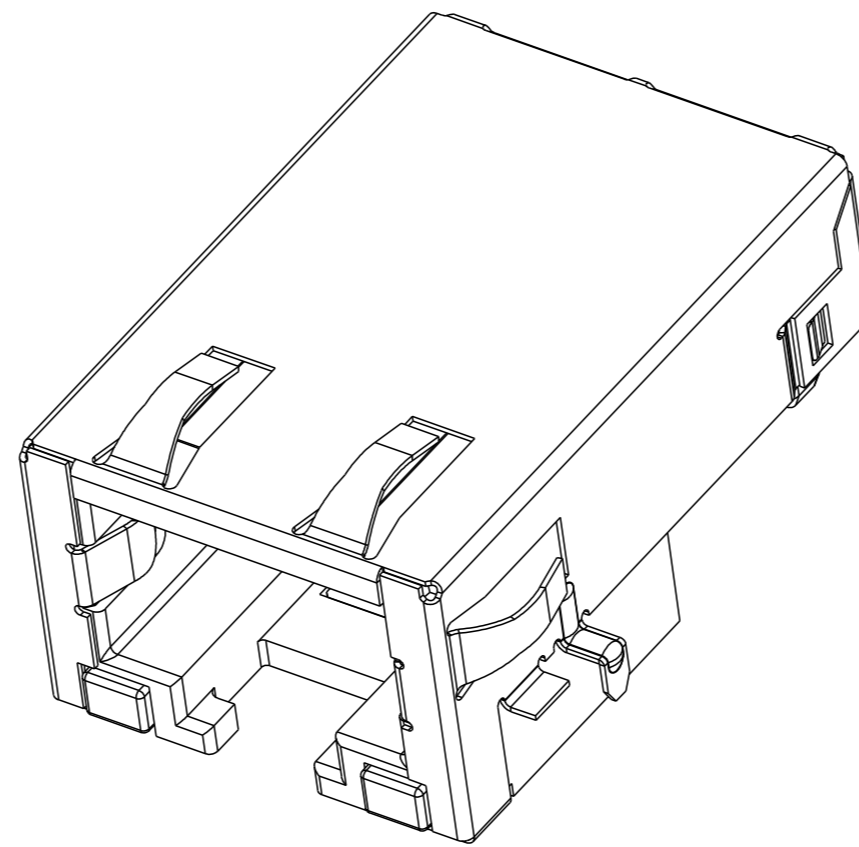
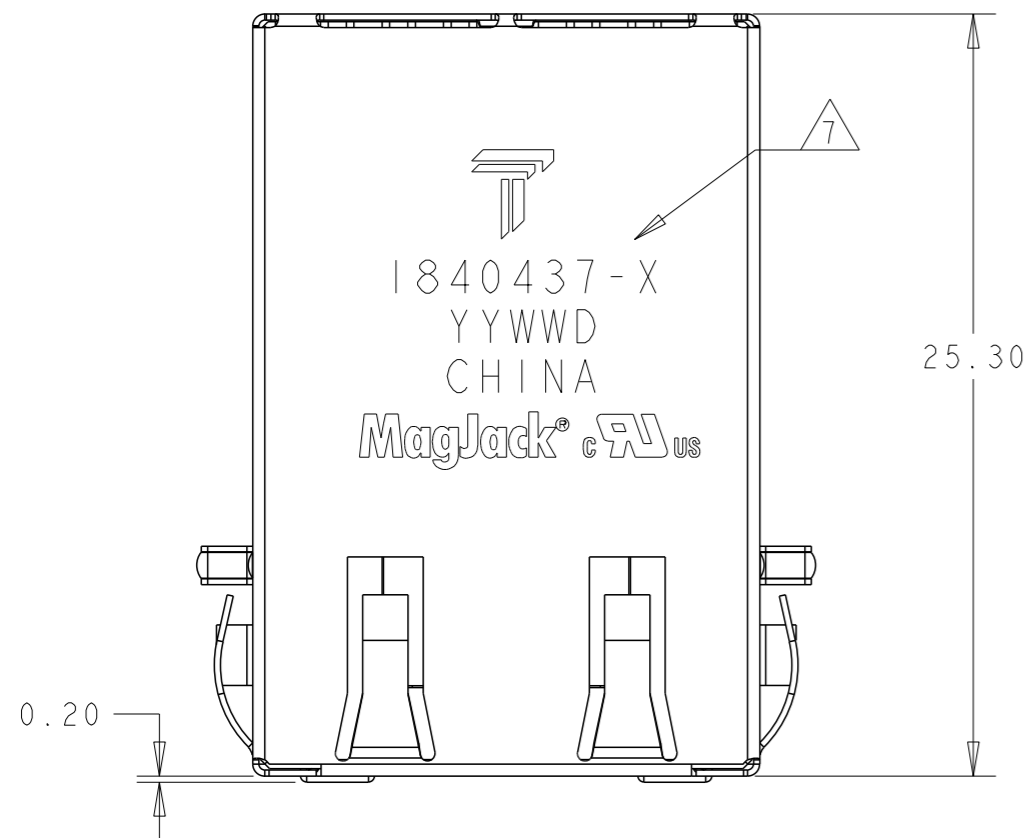


THIS DRAWING AND THE SUBJECT MATTER SHOWN THEREON ARE CONFIDENTIAL AND THE PROPERTY OF BEL/STEWART/TRP CONNECTOR AND SHALL NOT BE REPRODUCED, COPIED, OR USED IN ANY MANNER WITHOUT THE WRITTEN CONSENT OF TRP CONNECTOR.

PRODUCT MAY BE PROTECTED BY ONE OR MORE OF THE FOLLOWING US PATENTS:  
 5736910 5939955 6425781 6428361 6554638 6840817 7123117  
 7429195 7717749 7808751 6217391 6149050 7924130

REVISIONS				
P	LTR	DESCRIPTION	DATE	APVD
J		EC-1411035 COMPANY LOGO CHANGE	09JAN2015	TRY TY
K		EC-1602013	16FEB2016	TRY TY



- I. MATERIALS
- HOUSING: HIGH TEMPERATURE NYLON (FR52G30BL),BLACK,FLAMMABILITY RATING UL 94V-0.
  - SHIELD: BRASS, 0.20mm THICK,PREPLATED WITH MIN 0.76um SEMI-BRIGHT NICKEL; POST DIPPED WITH 2.54um MIN SAC SOLDER AT GROUND PINS.
  - CONTACT: PHOSPHOR BRONZE, 0.25mm THICK WITH 1.27um MIN OVERALL NICKEL UNDERPLATE AND SELECTIVE 1.27um MIN GOLD PLATING AT MATING INTERFACE
  - SOLDER TAIL:0.25mm THICK,PHOSPHOR BRONZE,1.27um MIN OVERALL NICKEL UNDERPLATE, 3 um MIN MATTE TIN PLATE.
  - LED: DIFFUSED EPOXY LENS, 0.50mm SQUARE CARBON STEEL WIREFRAME LEADS PREPLATED WITH 2.03um MIN SILVER OVER 1.02um MIN NICKEL UNDERPLATE OVER 1.02um MIN COPPER UNDERPLATE;POST PLATED WITH 2.54um MIN MATTE TIN.

- 2 RJ45 CAVITY CONFORMS TO FCC RULES AND REGULATION PART 68 SUBPART F.
- 3 MAGNETICS
  - APPLICATION: 10/100/1000 BASE-T
  - IMPEDANCE: 100 OHMS
  - TURNS RATIO (CHIP:CABLE): 1:1 ALL FOUR PAIRS
  - OPEN CIRCUIT INDUCTANCE (OCL): 350uH MIN @100kHz, 0.1VRMS, 8mADC BIAS FROM 0°C TO 70°C, ALL FOUR PAIRS
  - ALL FOUR PAIRS BI-DIRECTIONAL
  - PERFORMANCE @ 25°C:
    - INSERTION LOSS (IL): 1.1dB MAX FROM 0.5MHz TO 100MHz
    - RETURN LOSS (RL): 18dB MIN FROM 0.5MHz TO 40MHz
    - 12-20LOG(f/80)dB MIN FROM 40.1MHz TO 100MHz
    - CROSSTALK ATTENUATION: 35dB MIN FROM 0.5MHz TO 40MHz
    - 33-20LOG(f/50)dB MIN FROM 40.1MHz TO 100MHz
    - COMMON MODE REJECTION RATIO (CMRR): 30dB MIN FROM 0.5MHz TO 100MHz
    - ISOLATION VOLTAGE:COMPLY WITH IEEE802.3 2002, PARA 40.6.1.1, ITEM b.

- 4 OPERATING TEMPERATURE: 0°C ~ 70°C.
- 5 THE MAGNETIC CIRCUIT ARE SYMMETRICAL AND SUPPORT AUTO-MDIX OPERATION.
- 6 LEDs ARE DRIVEN WITH CONSTANT CURRENT AT APPROX 20mA.
  - LED COLOR:
    - DOMINANT WAVELENGTH (λD): GREEN 568 nm TYP. at IF=20mA
    - FORWARD VOLTAGE (VF): GREEN 2.2V TYP. at IF=20mA
    - DOMINANT WAVELENGTH (λD): YELLOW 588 nm TYP. at IF=20mA
    - FORWARD VOLTAGE (VF): YELLOW 2.1V TYP. at IF=20mA
    - DOMINANT WAVELENGTH (λD): ORANGE 610 nm TYP. at IF=20mA
    - FORWARD VOLTAGE (VF): ORANGE 2.1V TYP. at IF=20mA

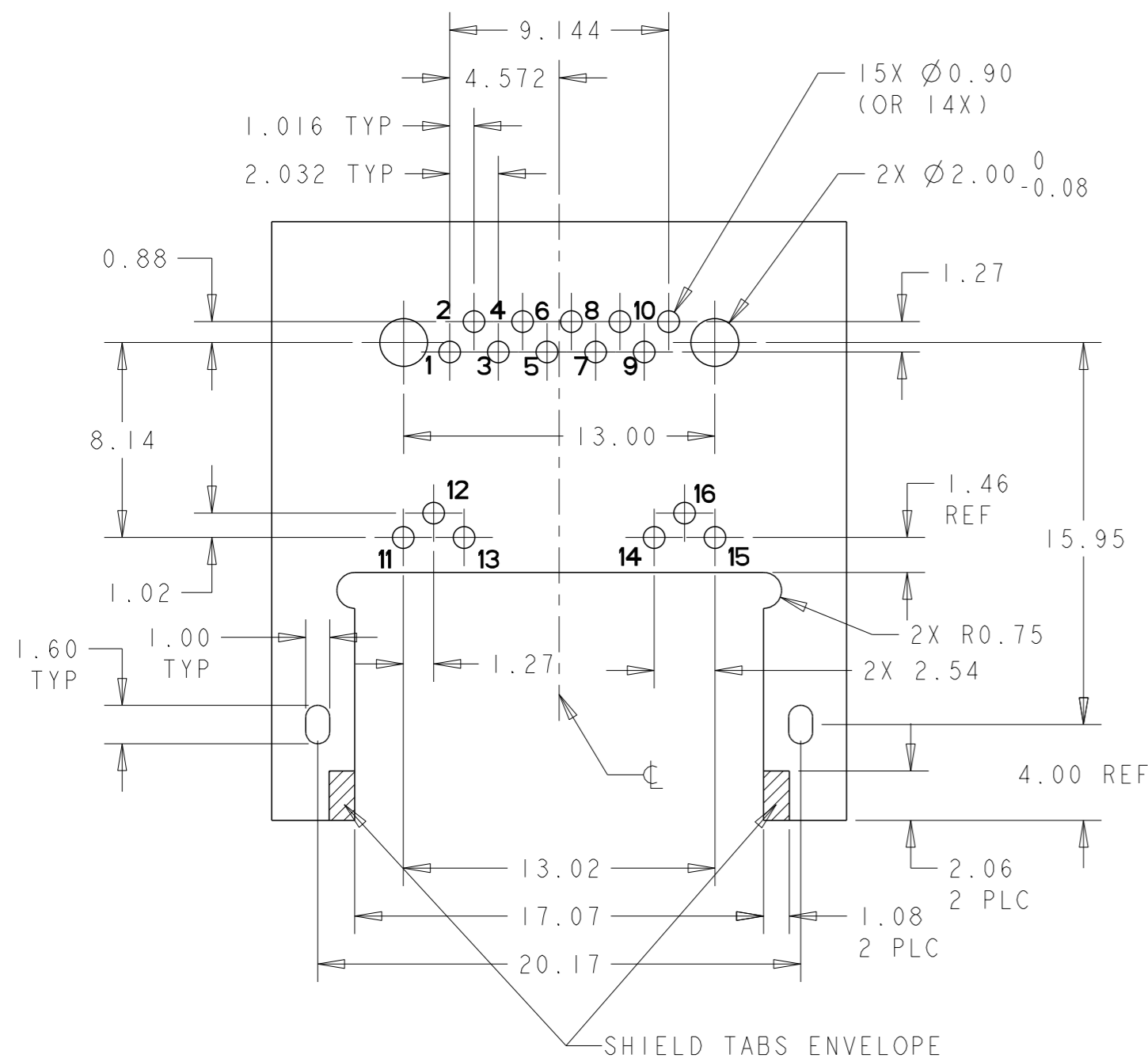
- 7 TRP CONNECTOR LOGO, PART NUMBER, DATE CODE, COUNTRY OF ORIGIN, AGENCY LOGO TO BE MARKED IN APPROXIMATE LOCATION SHOWN, DATE CODE: "YY" IS YEAR, "WW" IS WORK WEEK, "D" IS DAY OF WEEK, WITH SUNDAY=1.THIS PRINT PART NUMBER IS ONLY FOR REFERENCE, PLEASE REFER TO BELOW TABLE FOR ACTUAL ONE.
- 8 THIS CONNECTOR CAN PREVENTS THE INSERTION OF RJ11 (6 POSITION) PLUG INTO THE JACK, IF THE INSERTION FORCE MORE THAN 3.2kgf THAT MAY OVERCOME THE SELECTIVE FEATURES AND DAMAGE THE CONNECTOR.
- 9 ESD (4 PLC) & R5 ARE OPTIONAL, PLEASE SEE TABLE FOR PRESENCE OR ABSENCE IN EACH PART NUMBER.
- 10 ISOLATION VOLTAGE TEST IS APPLIED TO 1-1840437-1, 2-1840437-1, 4-1840437-1, 5-1840437-1 AND 6-1840437-1.

II. THESE PARTS ARE COMPLIANT TO BOTH WAVE SOLDERING PROCESS, PREHEAT TEMPERATURE IS ABOVE 150°C,120 SECONDS TO 180 SECONDS, PEAK SOLDERING TEMPERATURE IS 265°C MAX, 10 SECONDS MAX; AND IR REFLOW SOLDERING PROCESS, PEAK SOLDERING TEMPERATURE 260°C MAX DURATION TIME 10 SECONDS MAX, OVER 230°C WITHIN 40-60 SECONDS.

LED OPTION	DIM D	DIM C	DIM B	DIM A	ESD (4 PLC) & R5 OPTION	LED1	LED2	PART NUMBER
OPTION 3	3.22	2.26	3.22	1.80	W/O ESD & R5	GREEN	GREEN/YELLOW	6-1840437-1
OPTION 2	3.22	3.68	3.22	3.22	W/O ESD & R5	GREEN/YELLOW	GREEN/YELLOW	5-1840437-1
OPTION 1	3.22	3.68	3.22	3.22	W/O ESD & R5	GREEN/ORANGE	YELLOW	4-1840437-1
OPTION 1	1.80	2.26	1.80	1.80	W/O ESD & WITH R5	GREEN/ORANGE	YELLOW	3-1840437-9
OPTION 1	1.80	2.26	1.80	1.80	W/O ESD & WITH R5	GREEN/ORANGE	YELLOW	3-1840437-1
OPTION 1	1.80	2.26	1.80	1.80	W/O ESD & R5	GREEN/ORANGE	YELLOW	2-1840437-1
OPTION 1	1.80	2.26	1.80	1.80	WITH ESD ONLY	GREEN/ORANGE	YELLOW	1-1840437-1
OPTION 1	1.80	2.26	1.80	1.80	WITH ESD & R5	GREEN/ORANGE	YELLOW	1840437-1

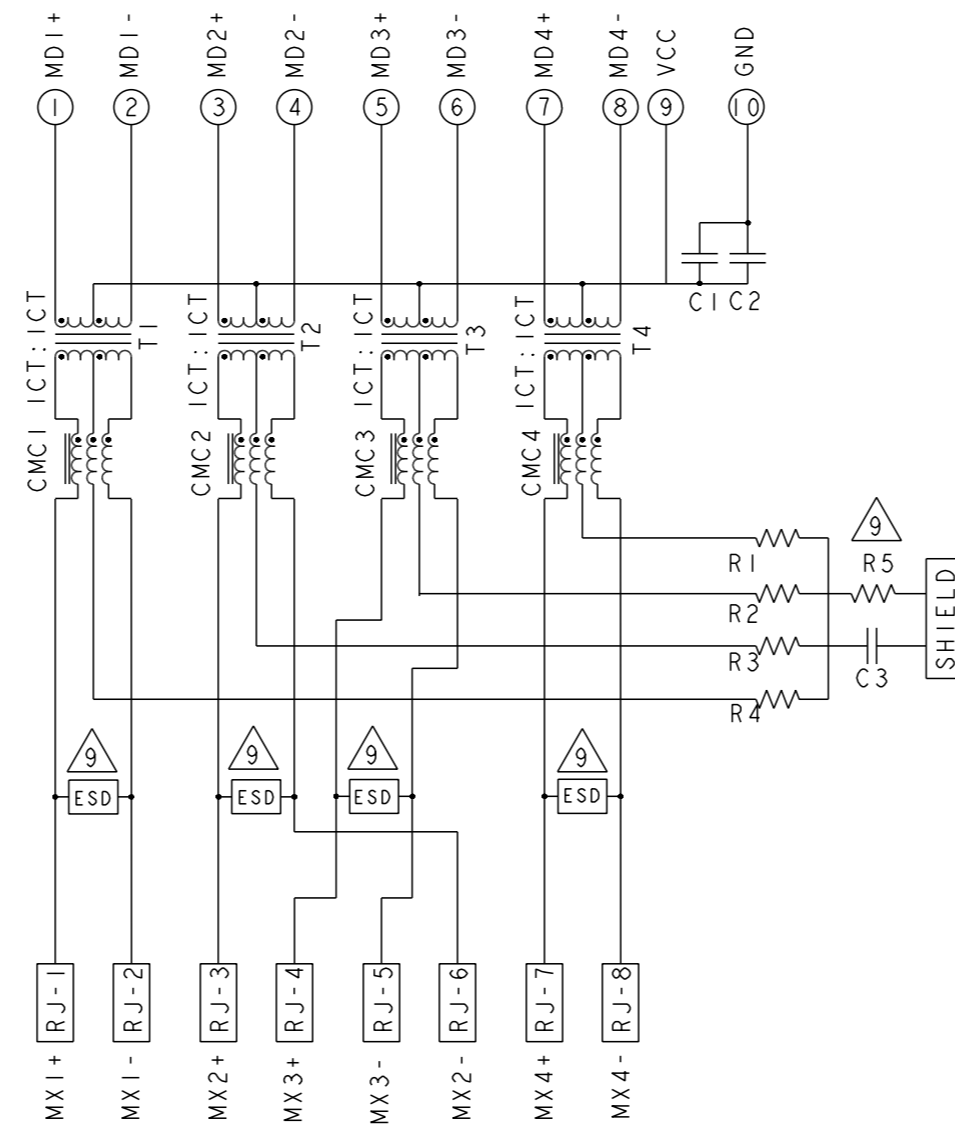
THIS DRAWING IS A CONTROLLED DOCUMENT, AND COMPLIANT TO ASME Y14.5M	
DIMENSIONS: mm	TOLERANCES UNLESS OTHERWISE SPECIFIED:
0 PLC ±	1 PLC ±0.25
2 PLC ±0.25	3 PLC ±0.25
4 PLC ±	ANGLES ±
PRODUCT SPEC 108-2207	APPLICATION SPEC -

DWN TOMMY REN 10AUG2007	<p>trp CONNECTOR a bel group</p> <p>DONGGUAN CHINA</p>
CHK KEITH ZHU 10AUG2007	
APVD TEDDY XIONG 10AUG2007	
MODEL NAME MAGJACK SINGLE NON-POE	
DESC IX1 4G62 GIGABIT TAB DOWN LOW PROFILE OFFSET W/ LED	
SIZE A2	CAGE CODE
DRAWING NO C-1840437	
RESTRICTED TO -	
CUSTOMER DRAWING	
SCALE 4:1	SHEET 1 OF 2
REV K	

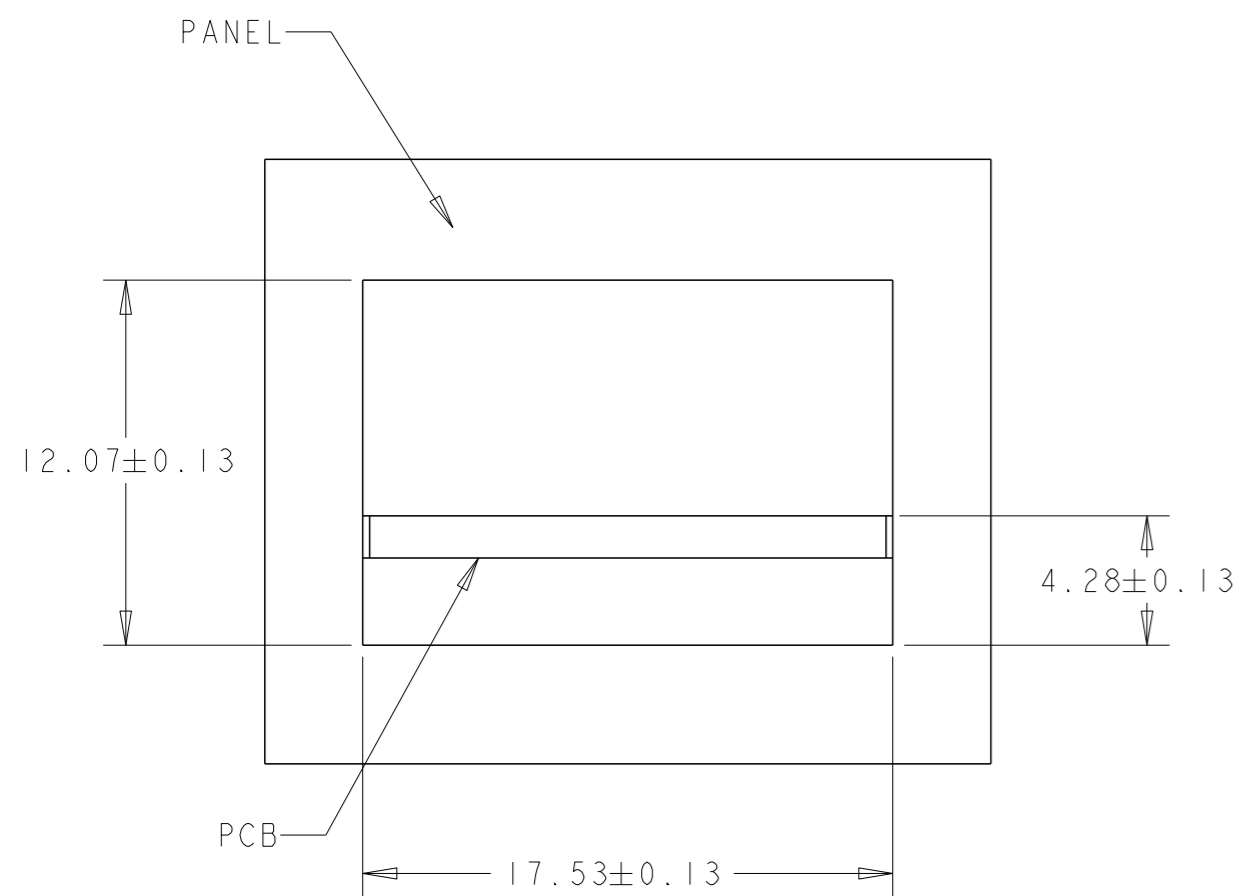


SUGGESTED PCB LAYOUT (TOL:±0.05)  
COMPONENT SIDE VIEW

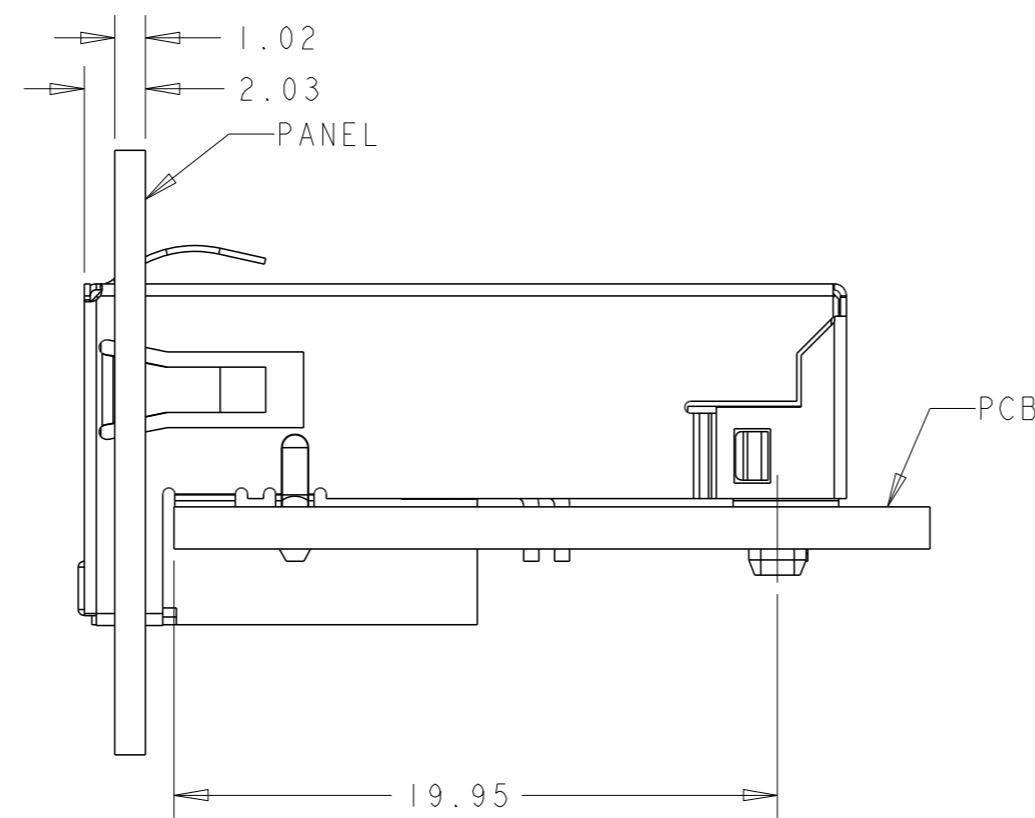
4G62 GIGABIT CIRCUIT



C1-C2 = 0.1uF 50V, CAPACITOR  
 C3 = 1000pF 2KV, CAPACITOR  
 R1-R4 = 75 ohms, 1/16W, RESISTOR  
 R5 = 1M ohms, 1/10W, RESISTOR  
 R5 = 22M ohms, 1/16W, RESISTOR, ONLY FOR 3-1840437-1, 3-1840437-9



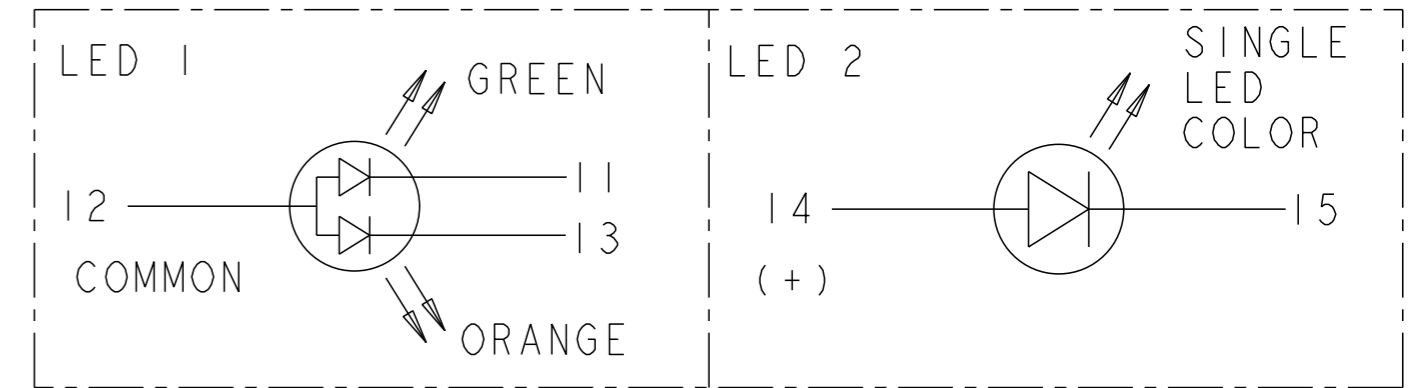
SUGGESTED PANEL CUTOUT



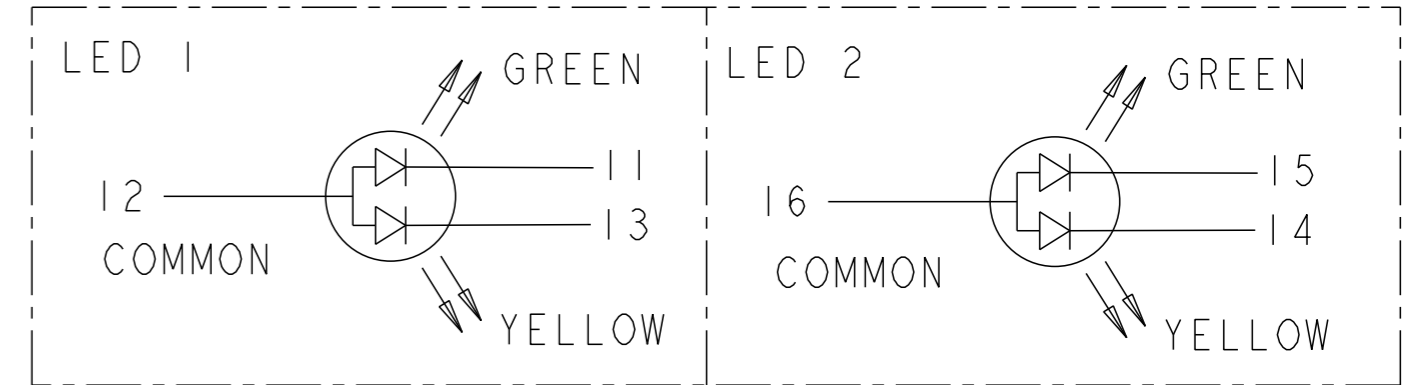
CONNECTOR ASSEMBLED TO PANEL AND PCB

LED OPTION

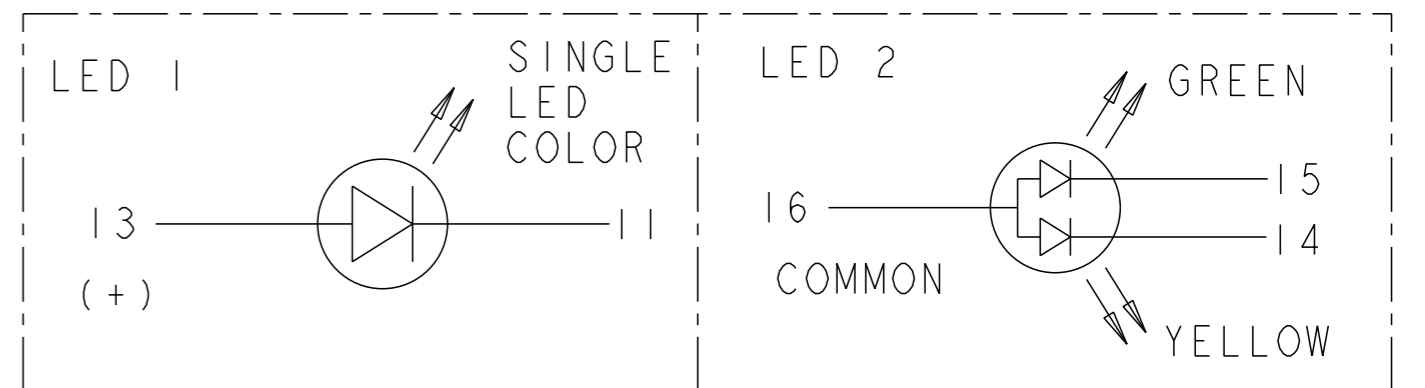
OPTION 1



OPTION 2



OPTION 3



THIS DRAWING IS A CONTROLLED DOCUMENT, AND COMPLIANT TO ASME Y14.5M		DWN TOMMY REN 10AUG2007	<p><b>trp</b> CONNECTOR a bel group</p>	DONGGUAN CHINA
DIMENSIONS: mm		CHK KEITH ZHU 10AUG2007		
TOLERANCES UNLESS OTHERWISE SPECIFIED:		APVD TEDDY XIONG 10AUG2007		
0 PLC ± 1 PLC ±0.25 2 PLC ±0.25 3 PLC ±0.25 4 PLC ± ANGLES ± APPLICATION SPEC		MODEL NAME		
PRODUCT SPEC	108-2207	MAGJACK SINGLE NON-POE	DESC	IX1 4G62 GIGABIT TAB DOWN LOW PROFILE OFFSET W/ LED
		SIZE A2	CAGE CODE	DRAWING NO
		CUSTOMER DRAWING		RESTRICTED TO
		SCALE 4:1	SHEET 2 OF 2	REV K