

THIS DRAWING IS UNPUBLISHED.

RELEASED FOR PUBLICATION

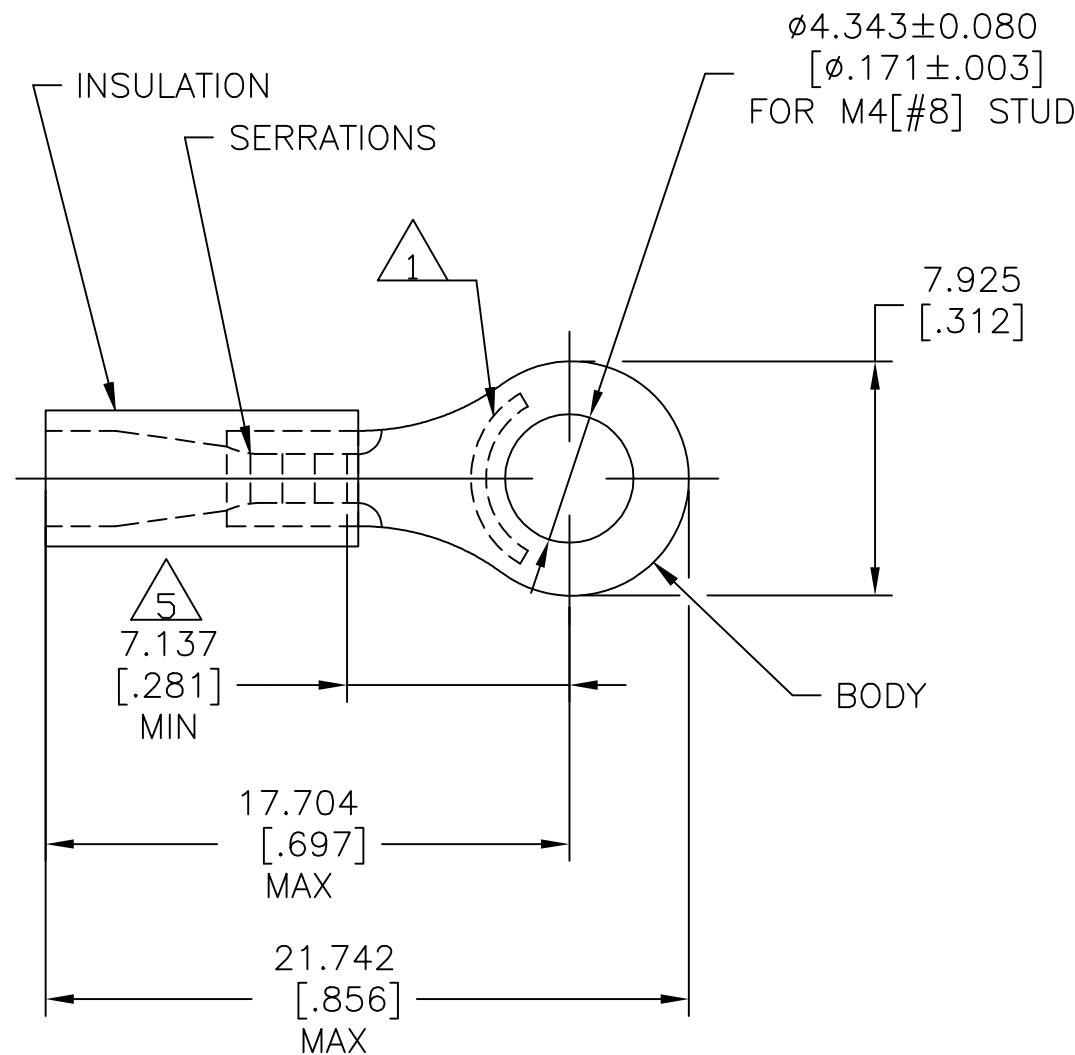
ALL RIGHTS RESERVED.

© COPYRIGHT - By -

REVISIONS

P	LTR	DESCRIPTION	DATE	DWN	APVD
H1		REVISED PER ECO-11-004917	11MAR11	RK	HMR
H2		REVISED PER ECO-17-014338	30MAR2018	RS	DR

AMP WIRE RANGE	Listed FILE E13288	LR7189 Certified
22-16 AWG SOLID OR STRANDED	22-16 AWG SOLID OR STRANDED	22-16 AWG SOLID OR STRANDED



- 1 STAMP AMP 22-18* 1-2 APPROX AS SHOWN
22-16 TERMINALS ARE STAMPED 22-18 IN
ACCORDANCE WITH MILITARY SPEC SAE AS7928
COMMERCIAL WIRE RANGE IS 22-16
- 2 WIRE INSULATION: $\phi 2.032-3.175$ [$\phi 0.080-.125$]
- 3 BODY MATERIAL THK: 0.787 ± 0.051 [0.031 ± 0.002]
- 4 MATERIAL: BODY - CU PER ASTM B152
INSULATION - PVC
- 5 APPLIES FROM CENTER OF STUD HOLE TO EDGE OF
METAL WIRE BARREL

5000	ON TAPE, REEL	2-32951-1
1000	LOOSE PIECE	32951
QTY	PACKAGE TYPE	PART NO.

AMP INCORPORATED
CUSTOMER SERVICE SYSTEMS

MAX RECOMMENDED OPERATING
TEMPERATURE:
105°C [221°F]

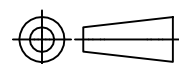
VOLTAGE RATING:
600V MAX
(1000V FIXTURE OR SIGN)

CIRCULAR MIL AREA:
0.26-1.65mm² [509-3260]
SOLID OR STRANDED

THIS DRAWING IS A CONTROLLED DOCUMENT.

DIMENSIONS:
mm [INCHES]

TOLERANCES UNLESS
OTHERWISE SPECIFIED:



MATERIAL

FINISH

BODY:TIN PER ASTM B545
INSULATION: COLOR-RED

DWN 08/06/92

CHK DK SCHRUM

RE HERSEY 11/10/92

APVD M BARNABA 11/10/92

PRODUCT SPEC

APPLICATION SPEC

114-2161

WEIGHT

CUSTOMER DRAWING

TE Connectivity Ltd.

NAME
TERMINAL, RING TONGUE,
PLASTI-GRIP,
WIRE SIZE, 22-16 AWG

SIZE CAGE CODE DRAWING NO RESTRICTED TO

A3 00779 C=32951

SCALE 4:1 SHEET 1 of 1 REV H2

FOR ADDITIONAL
PRODUCT INFORMATION OR
COPIES OF DRAWINGS
AND TECHNICAL DOCUMENTS

PRODUCT INFORMATION CENTER
1-800-522-6752

FOR APPLICATION
TOOLING INFORMATION

TOOLING ASSISTANCE CENTER
1-800-722-1111

FOR ORDER ENTRY

1-800-526-5142

THIS DRAWING IS A CONTROLLED DOCUMENT FOR
AMP INCORPORATED. IT IS SUBJECT TO CHANGE
AND THE CONTROLLING ENGINEERING ORGANIZATION
SHOULD BE CONTACTED FOR THE LATEST REVISION.