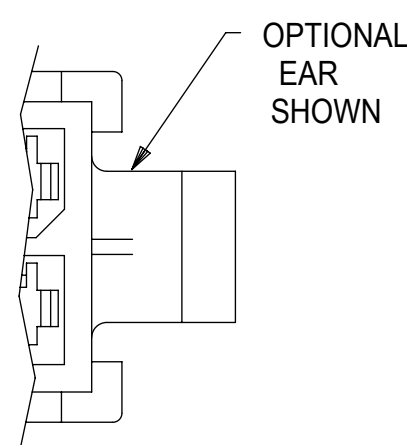
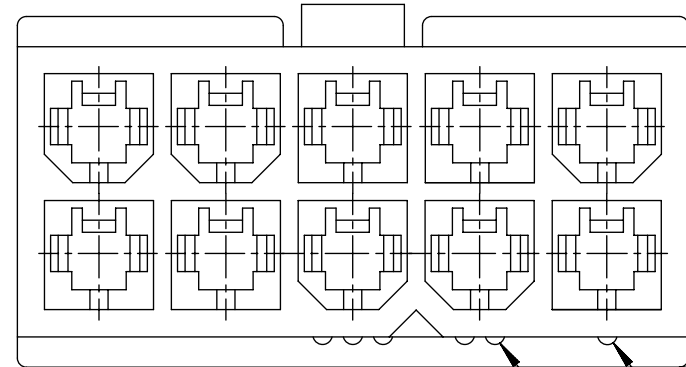


WITHOUT MOUNTING EARS
6-24 CIRCUIT

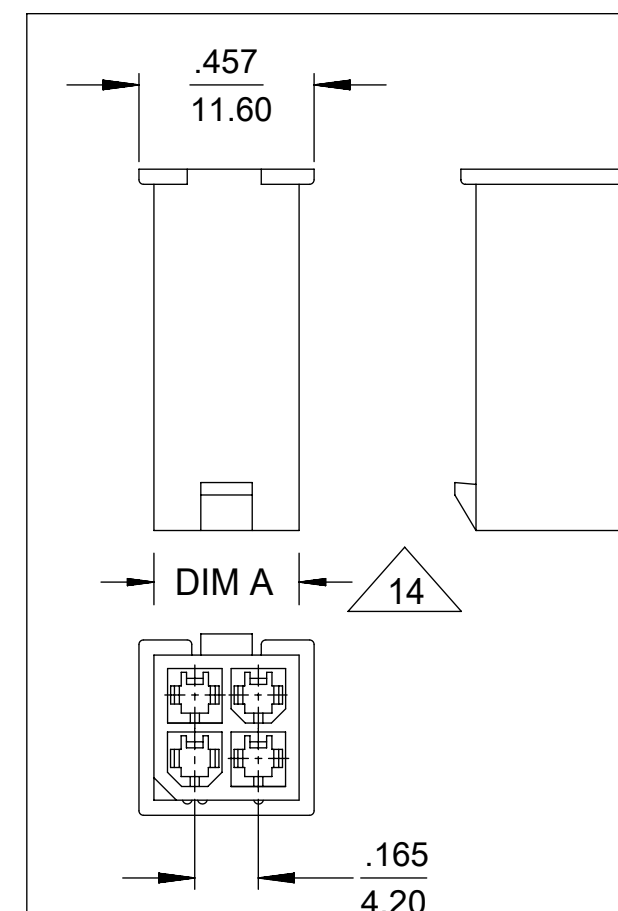
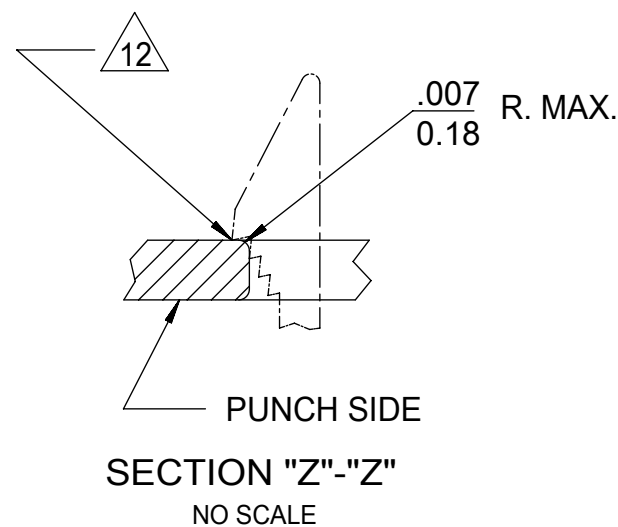
46993-**11

WITH MOUNTING EARS
2-24 CIRCUIT

46993-**10

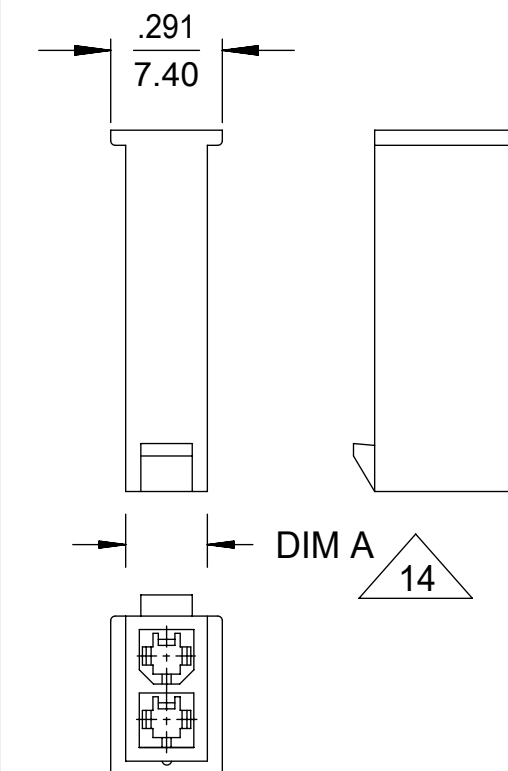


RIB INDICATES CIRCUIT #1
RIBS INDICATE CIRCUIT #2



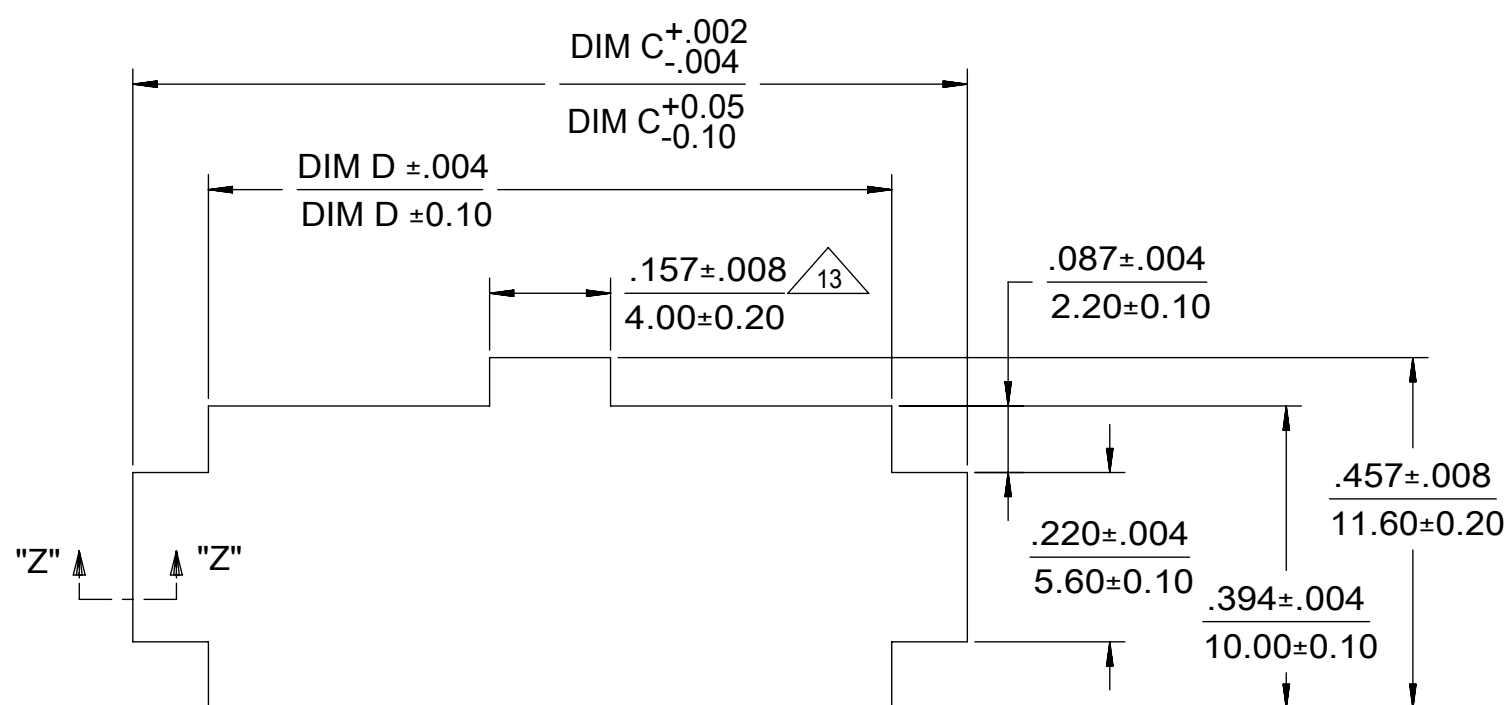
WITHOUT MOUNTING EARS
4 CIRCUIT

46993-0411
SCALE: 2X



WITHOUT MOUNTING EARS
2 CIRCUIT

46993-0211
SCALE: 2X



RECOMMENDED PANEL CUTOUT
THICKNESS: .032-.079 (0.80-2.00)

| | | | | | | | | | |
|---|---------|------------------------|------|---|--|--------|--|-----------------|--|
| THIS DRAWING CONTAINS INFORMATION THAT IS PROPRIETARY TO MOLEX ELECTRONIC TECHNOLOGIES, LLC AND SHOULD NOT BE USED WITHOUT WRITTEN PERMISSION | | | | | | | | | |
| DIMENSION UNITS | | SCALE | | CURRENT REV DESC: | | | | | |
| mm | | NTS | | EC NO: 745810 DRWN: JERRYW8 CHK'D: XQZHANG APPR: XQZHANG 2023/04/11 2023/04/13 2023/04/13 | | | | | |
| GENERAL TOLERANCES (UNLESS SPECIFIED) | | | | | | | | | |
| 4 PLACES | ± | MM | INCH | INITIAL REVISION: DRWN: NNGUYEN APPR: FSMITH 2013/04/11 2014/05/16 | | | | | |
| 3 PLACES | ± | | | | | | | | |
| 2 PLACES | ± 0.25 | | | DOCUMENT NUMBER SD-46993-0000 DOC TYPE PSD DOC PART 000 REVISION A10 | | | | | |
| 1 PLACE | ± 0.38 | | | | | | | | |
| 0 PLACES | ± | | | MATERIAL NUMBER SEE TABLE CUSTOMER GENERAL MARKET SHEET NUMBER 1 OF 3 | | | | | |
| ANGULAR TOL | ± 0.5 ° | | | | | | | | |
| DRAFT WHERE APPLICABLE MUST REMAIN WITHIN DIMENSIONS | | THIRD ANGLE PROJECTION | | DRAWING | | SERIES | | MATERIAL NUMBER | |
| | | C-SIZE | | 46993 | | | | | |

molex

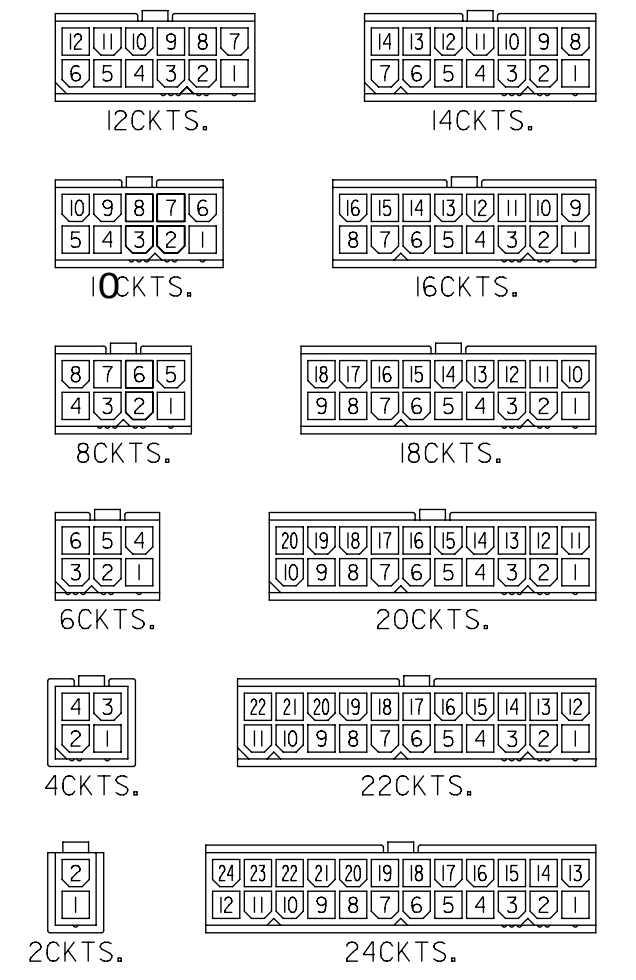
MINI-FIT JR PLUG
2-24 CIRCUIT DUAL ROW W/ & W/O EARS GLOW WIRE

PRODUCT CUSTOMER DRAWING

| PART NUMBER | CKT SIZE | MOUNTING OPTION | DIM "A" | DIM "B" | DIM "C" | DIM "D" | PACKAGING SPECIFICATION | COLOR |
|-------------|----------|-----------------|-------------|---------------|----------------|----------------|-------------------------|-------|
| 46993-0211 | 02 | WITHOUT EARS | .21 / 5.4 | -- | NOT APPLICABLE | NOT APPLICABLE | PK-5559-002 | BLACK |
| 46993-0411 | 04 | WITHOUT EARS | .38 / 9.6 | .165 / 4.20 | NOT APPLICABLE | NOT APPLICABLE | | |
| 46993-0611 | 06 | WITHOUT EARS | .54 / 13.8 | .331 / 8.40 | NOT APPLICABLE | NOT APPLICABLE | | |
| 46993-0811 | 08 | WITHOUT EARS | .71 / 18.0 | .496 / 12.60 | NOT APPLICABLE | NOT APPLICABLE | | |
| 46993-1011 | 10 | WITHOUT EARS | .87 / 22.2 | .661 / 16.80 | NOT APPLICABLE | NOT APPLICABLE | | |
| 46993-1211 | 12 | WITHOUT EARS | 1.04 / 26.4 | .827 / 21.00 | NOT APPLICABLE | NOT APPLICABLE | | |
| 46993-1411 | 14 | WITHOUT EARS | 1.21 / 30.6 | .992 / 25.20 | NOT APPLICABLE | NOT APPLICABLE | | |
| 46993-1611 | 16 | WITHOUT EARS | 1.37 / 34.8 | 1.158 / 29.40 | NOT APPLICABLE | NOT APPLICABLE | | |
| 46993-1811 | 18 | WITHOUT EARS | 1.54 / 39.0 | 1.323 / 33.60 | NOT APPLICABLE | NOT APPLICABLE | PK-5559-002 | BLACK |
| 46993-0210 | 02 | WITH EARS | .21 / 5.4 | -- | .425 / 10.80 | .228 / 5.80 | PK-5559-001 | BLACK |
| 46993-0410 | 04 | WITH EARS | .38 / 9.6 | .165 / 4.20 | .591 / 15.00 | .394 / 10.00 | | |
| 46993-0610 | 06 | WITH EARS | .54 / 13.8 | .331 / 8.40 | .756 / 19.20 | .559 / 14.20 | | |
| 46993-0810 | 08 | WITH EARS | .71 / 18.0 | .496 / 12.60 | .921 / 23.40 | .724 / 18.40 | | |
| 46993-1010 | 10 | WITH EARS | .87 / 22.2 | .661 / 16.80 | 1.087 / 27.60 | .890 / 22.60 | | |
| 46993-1210 | 12 | WITH EARS | 1.04 / 26.4 | .827 / 21.00 | 1.252 / 31.80 | 1.055 / 26.80 | | |
| 46993-1410 | 14 | WITH EARS | 1.21 / 30.6 | .992 / 25.20 | 1.417 / 36.00 | 1.224 / 31.10 | | |
| 46993-1610 | 16 | WITH EARS | 1.37 / 34.8 | 1.158 / 29.40 | 1.583 / 40.20 | 1.390 / 35.30 | | |
| 46993-1810 | 18 | WITH EARS | 1.54 / 39.0 | 1.323 / 33.60 | 1.748 / 44.40 | 1.555 / 39.50 | PK-5559-001 | BLACK |
| 46993-0201 | 02 | WITHOUT EARS | .21 / 5.4 | -- | NOT APPLICABLE | NOT APPLICABLE | PK-5559-002 | BEIGE |
| 46993-0401 | 04 | WITHOUT EARS | .38 / 9.6 | .165 / 4.20 | NOT APPLICABLE | NOT APPLICABLE | | |
| 46993-0601 | 06 | WITHOUT EARS | .54 / 13.8 | .331 / 8.40 | NOT APPLICABLE | NOT APPLICABLE | | |
| 46993-0801 | 08 | WITHOUT EARS | .71 / 18.0 | .496 / 12.60 | NOT APPLICABLE | NOT APPLICABLE | | |
| 46993-1001 | 10 | WITHOUT EARS | .87 / 22.2 | .661 / 16.80 | NOT APPLICABLE | NOT APPLICABLE | | |
| 46993-1201 | 12 | WITHOUT EARS | 1.04 / 26.4 | .827 / 21.00 | NOT APPLICABLE | NOT APPLICABLE | | |
| 46993-1401 | 14 | WITHOUT EARS | 1.21 / 30.6 | .992 / 25.20 | NOT APPLICABLE | NOT APPLICABLE | | |
| 46993-1601 | 16 | WITHOUT EARS | 1.37 / 34.8 | 1.158 / 29.40 | NOT APPLICABLE | NOT APPLICABLE | | |
| 46993-1801 | 18 | WITHOUT EARS | 1.54 / 39.0 | 1.323 / 33.60 | NOT APPLICABLE | NOT APPLICABLE | PK-5559-002 | BEIGE |
| 46993-0200 | 02 | WITH EARS | .21 / 5.4 | -- | .425 / 10.80 | .228 / 5.80 | PK-5559-001 | BEIGE |
| 46993-0400 | 04 | WITH EARS | .38 / 9.6 | .165 / 4.20 | .591 / 15.00 | .394 / 10.00 | | |
| 46993-0600 | 06 | WITH EARS | .54 / 13.8 | .331 / 8.40 | .756 / 19.20 | .559 / 14.20 | | |
| 46993-0800 | 08 | WITH EARS | .71 / 18.0 | .496 / 12.60 | .921 / 23.40 | .724 / 18.40 | | |
| 46993-1000 | 10 | WITH EARS | .87 / 22.2 | .661 / 16.80 | 1.087 / 27.60 | .890 / 22.60 | | |
| 46993-1200 | 12 | WITH EARS | 1.04 / 26.4 | .827 / 21.00 | 1.252 / 31.80 | 1.055 / 26.80 | | |
| 46993-1400 | 14 | WITH EARS | 1.21 / 30.6 | .992 / 25.20 | 1.417 / 36.00 | 1.224 / 31.10 | | |
| 46993-1600 | 16 | WITH EARS | 1.37 / 34.8 | 1.158 / 29.40 | 1.583 / 40.20 | 1.390 / 35.30 | | |
| 46993-1800 | 18 | WITH EARS | 1.54 / 39.0 | 1.323 / 33.60 | 1.748 / 44.40 | 1.555 / 39.50 | PK-5559-001 | BEIGE |

LEGEND

46993-***0
 SERIES NUMBER
 CKT SIZE
 MATERIAL
 (SEE NOTE 1)
 0 = 225NS
 1 = 225S
 2 = 250RS
 3 = 250GS
 4 = 250BS
 5 = 250WS
 MOUNTING OPTION
 (SEE NOTE #7)



REFERENCE FOR CIRCUIT NUMBER ORIENTATION (OPTIONAL EARS NOT SHOWN)

| | | | | | | | | | |
|---|---|---------|------|---|--|--------|--|--------------|--|
| THIS DRAWING CONTAINS INFORMATION THAT IS PROPRIETARY TO MOLEX ELECTRONIC TECHNOLOGIES, LLC AND SHOULD NOT BE USED WITHOUT WRITTEN PERMISSION | | | | | | | | | |
| DIMENSION UNITS | | SCALE | | CURRENT REV DESC: | | | | | |
| mm | | NTS | | EC NO: 745810 DRWN: JERRYW8 CHK'D: XQZHANG APPR: XQZHANG 2023/04/11 2023/04/13 2023/04/13 INITIAL REVISION: DRWN: NNGUYEN APPR: FSMITH 2013/04/11 2014/05/16 | | | | | |
| GENERAL TOLERANCES (UNLESS SPECIFIED) | | | | | | | | | |
| | | MM | INCH | | | | | | |
| 4 PLACES | ± | | ± | | | | | | |
| 3 PLACES | ± | | ± | | | | | | |
| 2 PLACES | ± | 0.25 | ± | | | | | | |
| 1 PLACE | ± | 0.38 | ± | | | | | | |
| 0 PLACES | ± | | ± | | | | | | |
| ANGULAR TOL | | ± 0.5 ° | | THIRD ANGLE PROJECTION | | | | | |
| DRAFT WHERE APPLICABLE MUST REMAIN WITHIN DIMENSIONS | | | | DRAWING | | SERIES | | SHEET NUMBER | |
| | | | | C-SIZE | | 46993 | | 2 OF 3 | |

molex

MINI-FIT JR PLUG
 2-24 CIRCUIT DUAL ROW W/ & W/O EARS GLOW WIRE

PRODUCT CUSTOMER DRAWING

| | | | |
|-----------------|----------|----------|----------|
| DOCUMENT NUMBER | DOC TYPE | DOC PART | REVISION |
| SD-46993-0000 | PSD | 000 | A10 |

MATERIAL NUMBER: SEE TABLE
 CUSTOMER: GENERAL MARKET

| PART NUMBER | CKT SIZE | MOUNTING OPTION | DIM "A" | DIM "B" | DIM " C" | DIM"D" | PACKAGING SPECIFICATION | MATERIAL CODE & COLOR SEE NOTE 14 |
|-------------|----------|-----------------|-------------|--------------|---------------|---------------|-------------------------|-----------------------------------|
| 46993-0220 | 02 | WITH EARS | .21 / 5.4 | -- | .425 / 10.80 | .228 / 5.80 | PK-5559-001 | 250RS RED (V0) 967550365 |
| 46993-0420 | 04 | WITH EARS | .38 / 9.6 | .165 / 4.20 | .591 / 15.00 | .394 / 10.00 | | |
| 46993-0620 | 06 | WITH EARS | .54 / 13.8 | .331 / 8.40 | .756 / 19.20 | .559 / 14.20 | | |
| 46993-0820 | 08 | WITH EARS | .71 / 18.0 | .496 / 12.60 | .921 / 23.40 | .724 / 18.40 | | |
| 46993-1020 | 10 | WITH EARS | .87 / 22.2 | .661 / 16.80 | 1.087 / 27.60 | .890 / 22.60 | | |
| 46993-1220 | 12 | WITH EARS | 1.04 / 26.4 | .827 / 21.00 | 1.252 / 31.80 | 1.055 / 26.80 | | |
| 46993-0230 | 02 | WITH EARS | .21 / 5.4 | -- | .425 / 10.80 | .228 / 5.80 | PK-5559-001 | 250GS GREEN (V0) 967550364 |
| 46993-0430 | 04 | WITH EARS | .38 / 9.6 | .165 / 4.20 | .591 / 15.00 | .394 / 10.00 | | |
| 46993-0630 | 06 | WITH EARS | .54 / 13.8 | .331 / 8.40 | .756 / 19.20 | .559 / 14.20 | | |
| 46993-0830 | 08 | WITH EARS | .71 / 18.0 | .496 / 12.60 | .921 / 23.40 | .724 / 18.40 | | |
| 46993-1030 | 10 | WITH EARS | .87 / 22.2 | .661 / 16.80 | 1.087 / 27.60 | .890 / 22.60 | | |
| 46993-1230 | 12 | WITH EARS | 1.04 / 26.4 | .827 / 21.00 | 1.252 / 31.80 | 1.055 / 26.80 | | |
| 46993-0240 | 02 | WITH EARS | .21 / 5.4 | -- | .425 / 10.80 | .228 / 5.80 | PK-5559-001 | 250BS BLUE (V0) 967550363 |
| 46993-0440 | 04 | WITH EARS | .38 / 9.6 | .165 / 4.20 | .591 / 15.00 | .394 / 10.00 | | |
| 46993-0640 | 06 | WITH EARS | .54 / 13.8 | .331 / 8.40 | .756 / 19.20 | .559 / 14.20 | | |
| 46993-0840 | 08 | WITH EARS | .71 / 18.0 | .496 / 12.60 | .921 / 23.40 | .724 / 18.40 | | |
| 46993-1040 | 10 | WITH EARS | .87 / 22.2 | .661 / 16.80 | 1.087 / 27.60 | .890 / 22.60 | | |
| 46993-1240 | 12 | WITH EARS | 1.04 / 26.4 | .827 / 21.00 | 1.252 / 31.80 | 1.055 / 26.80 | | |
| 46993-0250 | 02 | WITH EARS | .21 / 5.4 | -- | .425 / 10.80 | .228 / 5.80 | PK-5559-001 | 250WS NATURAL (V0) |
| 46993-0450 | 04 | WITH EARS | .38 / 9.6 | .165 / 4.20 | .591 / 15.00 | .394 / 10.00 | | |
| 46993-0650 | 06 | WITH EARS | .54 / 13.8 | .331 / 8.40 | .756 / 19.20 | .559 / 14.20 | | |
| 46993-0850 | 08 | WITH EARS | .71 / 18.0 | .496 / 12.60 | .921 / 23.40 | .724 / 18.40 | | |
| 46993-1050 | 10 | WITH EARS | .87 / 22.2 | .661 / 16.80 | 1.087 / 27.60 | .890 / 22.60 | | |
| 46993-1250 | 12 | WITH EARS | 1.04 / 26.4 | .827 / 21.00 | 1.252 / 31.80 | 1.055 / 26.80 | | |

LEGEND

46993-***0

SERIES NUMBER _____

CKT SIZE _____

MATERIAL (SEE NOTE 1)

0 = 225NS
1 = 225S
2 = 250RS
3 = 250GS
4 = 250BS
5 = 250WS

MOUNTING OPTION _____

(SEE NOTE #7)

- NOTES:
- MATERIAL:
225NS = NYLON 6, UL94V-2, GLOW WIRE, COLOR: NATURAL
225S = NYLON 6, UL94V-2, GLOW WIRE, COLOR: BLACK
250RS = NYLON 6/6, UL94V-0, GLOW WIRE, COLOR: RED
250GS = NYLON 6/6, UL94V-0, GLOW WIRE, COLOR: GREEN
250BS = NYLON 6/6, UL94V-0, GLOW WIRE, COLOR: BLUE
250WS = NYLON 6/6, UL94V-0, GLOW WIRE, COLOR: NATURAL
 - FINISH: NOT APPLICABLE
 - PRODUCT SPECIFICATION: PS-5556-001
 - PACKAGING: SEE CHART
 - PART MATES WITH MOLEX RECEPTACLE #46992.
 - PART TO BE USED WITH MOLEX MALE TERMINAL #5558.
 - MOUNTING OPTIONS:
"0" = WITH EARS, DUAL ROW
"1" = WITHOUT EARS, DUAL ROW
 - PART IS NOT DESIGNED FOR CURRENT SHARING.
 - CONNECTORS ARE NOT TO BE MATED OR UNMATED WHILE CIRCUITS ARE LIVE.
 - WIRES ARE TO BE DRESSED IN SUCH A MANNER TO ALLOW THE TERMINALS TO FLOAT FREELY IN THE POCKET.
 - PART CONFORMS TO CLASS "B" REQUIREMENTS OF COSMETIC SPECIFICATION PS-45499-002 WITH THE EXCEPTION OF DISCOLORATION, FLASH AND SINK MEET CLASS "C" REQUIREMENTS.
 - PANEL HOLE TO PUNCHED OUT IN THE SAME DIRECTION AS INSERTION INTO THE PANEL.
 - ON 2 CIRCUIT PARTS THIS DIMENSION IS ALLOWABLE UP TO DIMENSION "D".
 - TO BE MEASURED AT SURFACE **A**
 - APPLICATION SPECIFICATION :469920000-AS

THIS DRAWING CONTAINS INFORMATION THAT IS PROPRIETARY TO MOLEX ELECTRONIC TECHNOLOGIES, LLC AND SHOULD NOT BE USED WITHOUT WRITTEN PERMISSION

| | | | |
|--|------------------------|-------------------|--------|
| DIMENSION UNITS | SCALE | CURRENT REV DESC: | |
| mm | NTS | | |
| GENERAL TOLERANCES (UNLESS SPECIFIED) | | | |
| | MM | INCH | |
| 4 PLACES | ± | ± | |
| 3 PLACES | ± | ± | |
| 2 PLACES | ± 0.25 | ± | |
| 1 PLACE | ± 0.38 | ± | |
| 0 PLACES | ± | ± | |
| ANGULAR TOL | ± 0.5 ° | | |
| DRAFT WHERE APPLICABLE MUST REMAIN WITHIN DIMENSIONS | THIRD ANGLE PROJECTION | DRAWING | SERIES |
| | | C-SIZE | 46993 |

EC NO: 745810
DRWN: JERRYW8
CHK'D: XQZHANG
APPR: XQZHANG

2023/04/11
2023/04/13
2023/04/13

INITIAL REVISION:
DRWN: NNGUYEN
APPR: FSMITH

2013/04/11
2014/05/16

molex

MINI-FIT JR PLUG
2-24 CIRCUIT DUAL ROW W/ & W/O EARS GLOW WIRE

PRODUCT CUSTOMER DRAWING

| | | | |
|-----------------|----------|----------|----------|
| DOCUMENT NUMBER | DOC TYPE | DOC PART | REVISION |
| SD-46993-0000 | PSD | 000 | A10 |

| | | |
|-----------------|----------------|--------------|
| MATERIAL NUMBER | CUSTOMER | SHEET NUMBER |
| SEE TABLE | GENERAL MARKET | 3 OF 3 |