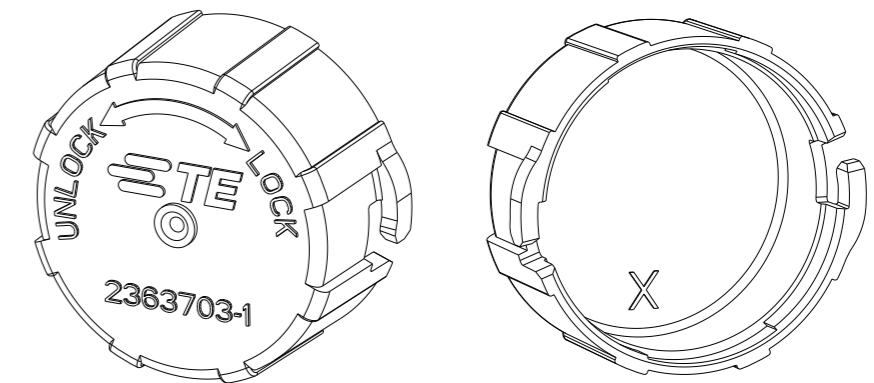
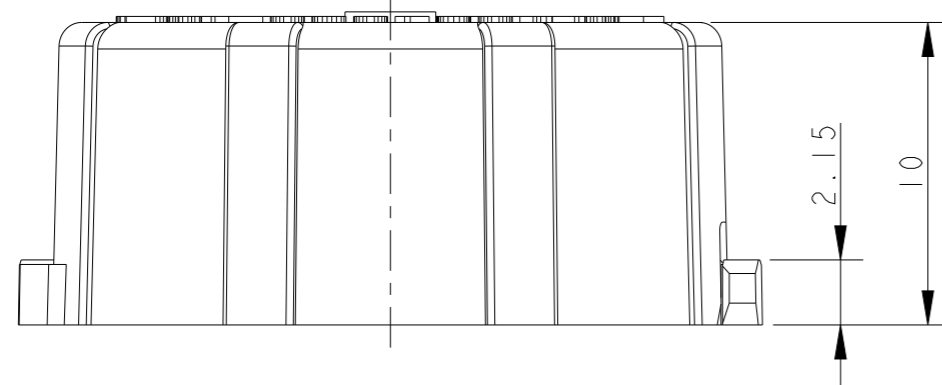
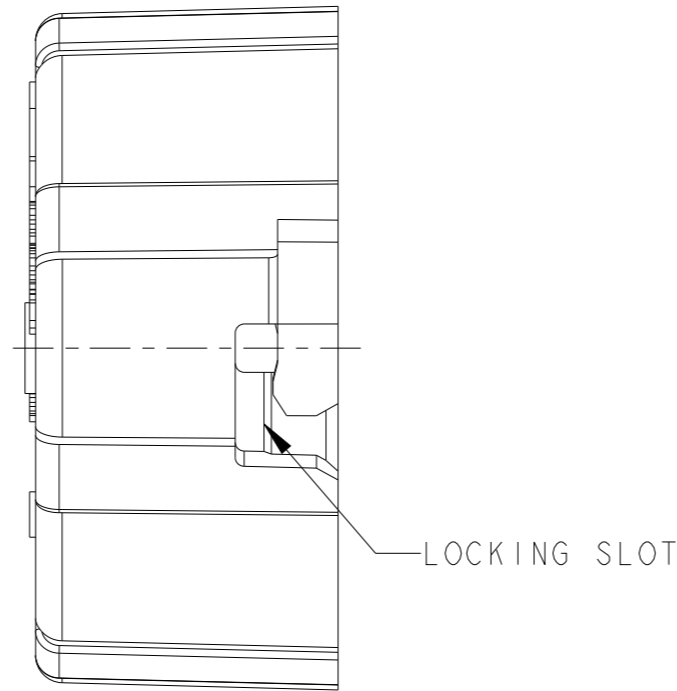
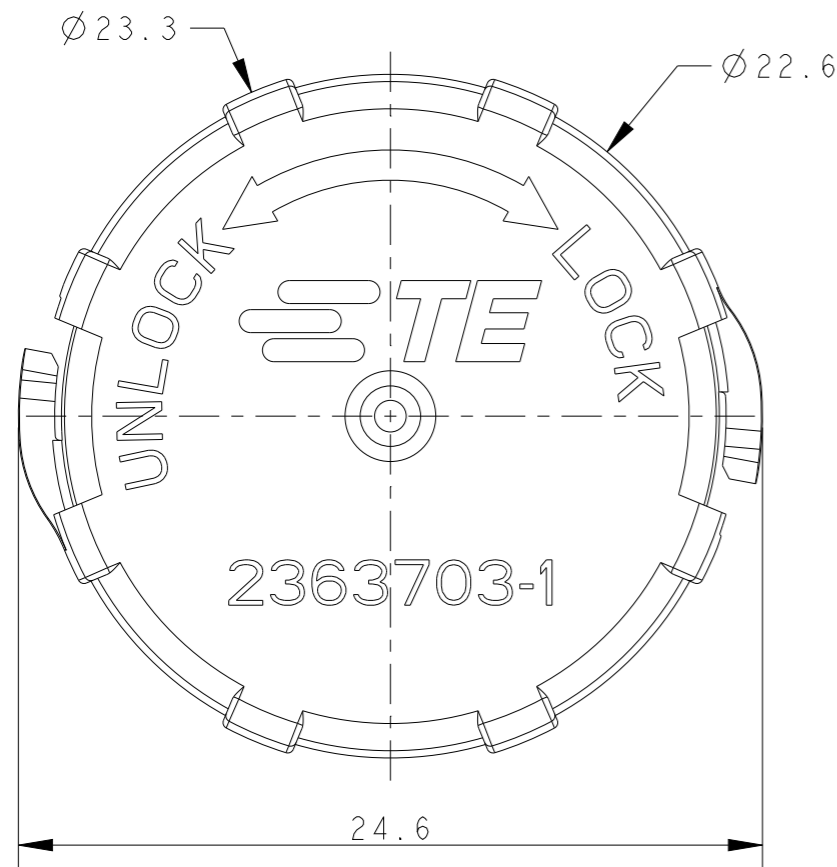


P	LTR	DESCRIPTION	DATE	DWN	APVD
A		INITIAL RELEASE	26NOV2020	SM	MZ
AI		RELEASED	18MAR2022	SM	MZ

NOTES:

- MATERIALS:
PLASTIC: PBT+PC ALLOY, UL-V0 (BLACK COLOR)
- IP RATING: IP68
- FOR ASSEMBLY INSTRUCTIONS, REFER APPLICATION SPECIFICATION 114-133123
- PACKAGING: IN PE BAG



PN: 2363703-1 AS SHOWN
SCALE 2:1

THIS DRAWING IS A CONTROLLED DOCUMENT.		DWN SUBHASH.M 26NOV2020	TE Connectivity		
DIMENSIONS: mm		CHK M. ZUCCA 26NOV2020			
TOLERANCES UNLESS OTHERWISE SPECIFIED:		APVD PETER.OTT 26NOV2020	NAME NECTOR T, 3Pos, PIN CONNECTOR DUST CAP		
0 PLC ±0.2 1 PLC ±0.2 2 PLC ±0.1 3 PLC ± 4 PLC ± ANGLES ±°		PRODUCT SPEC 108-133123	RESTRICTED TO		
MATERIAL		APPLICATION SPEC 114-133123	SIZE A3	CAGE CODE 00779	DRAWING NO C-2363703
FINISH		WEIGHT	SCALE 4:1 SHEET 1 OF 1 REV AI		
-		CUSTOMER DRAWING			