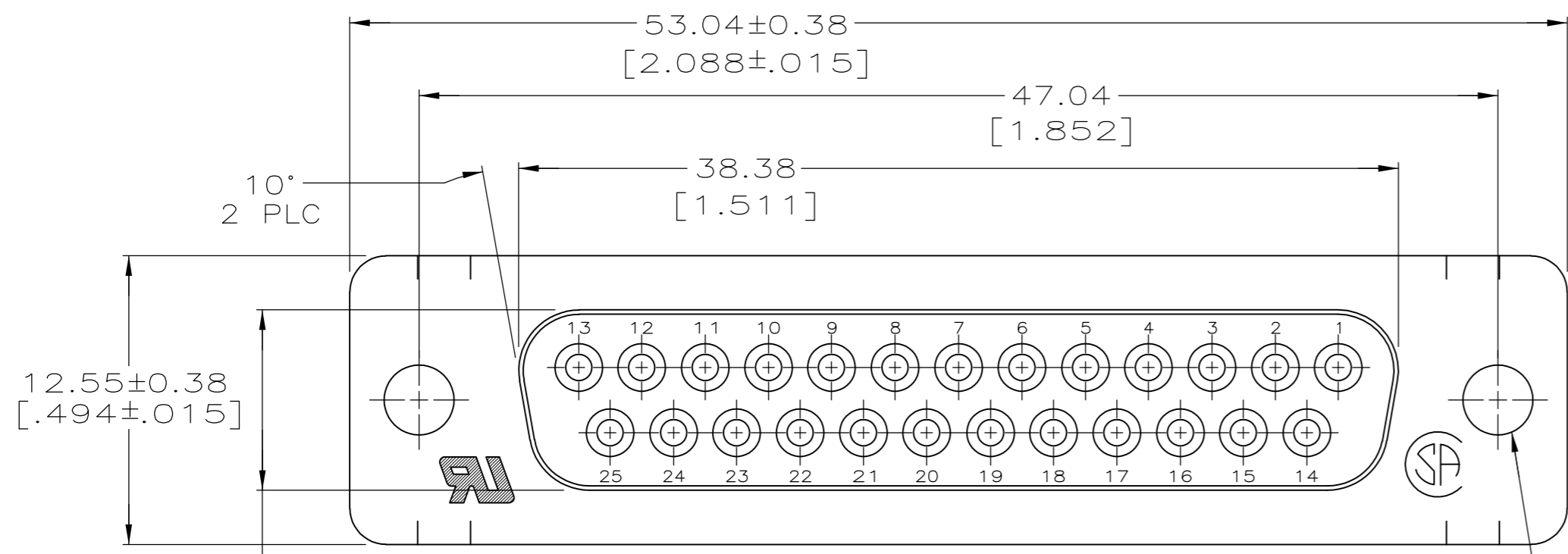
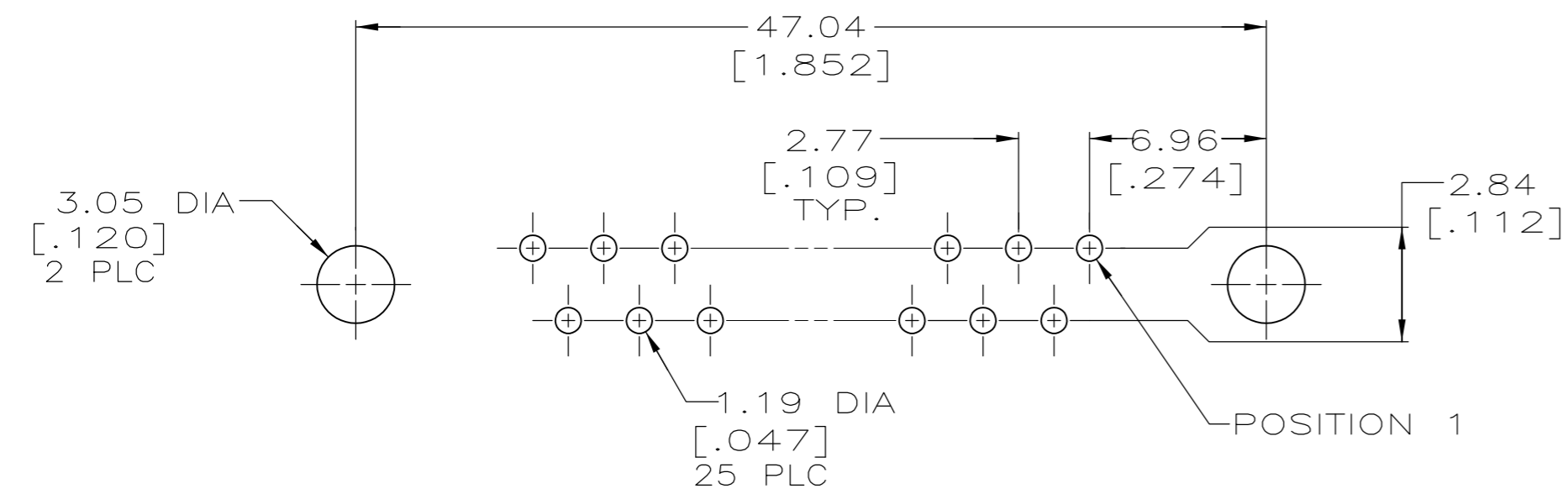
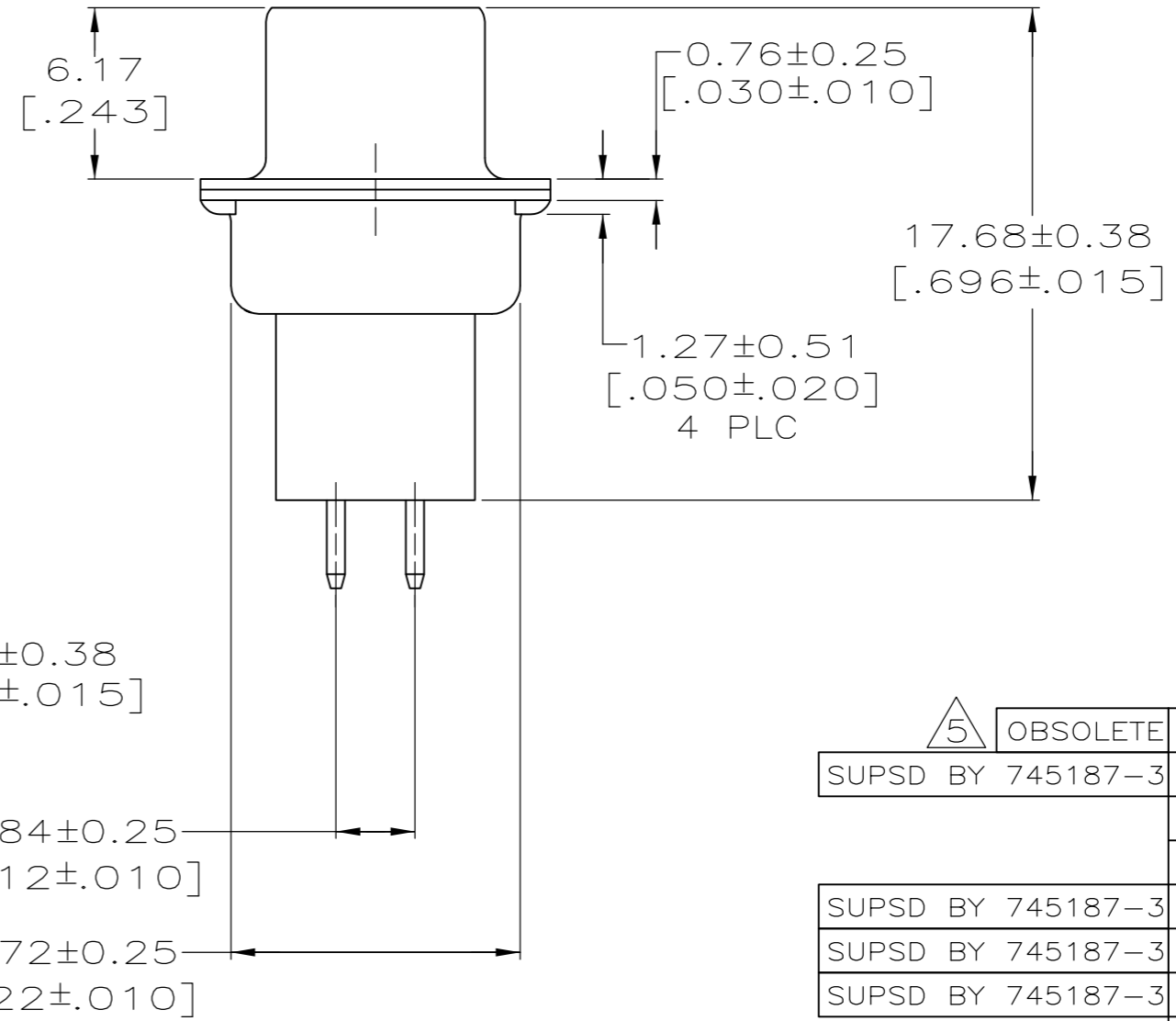
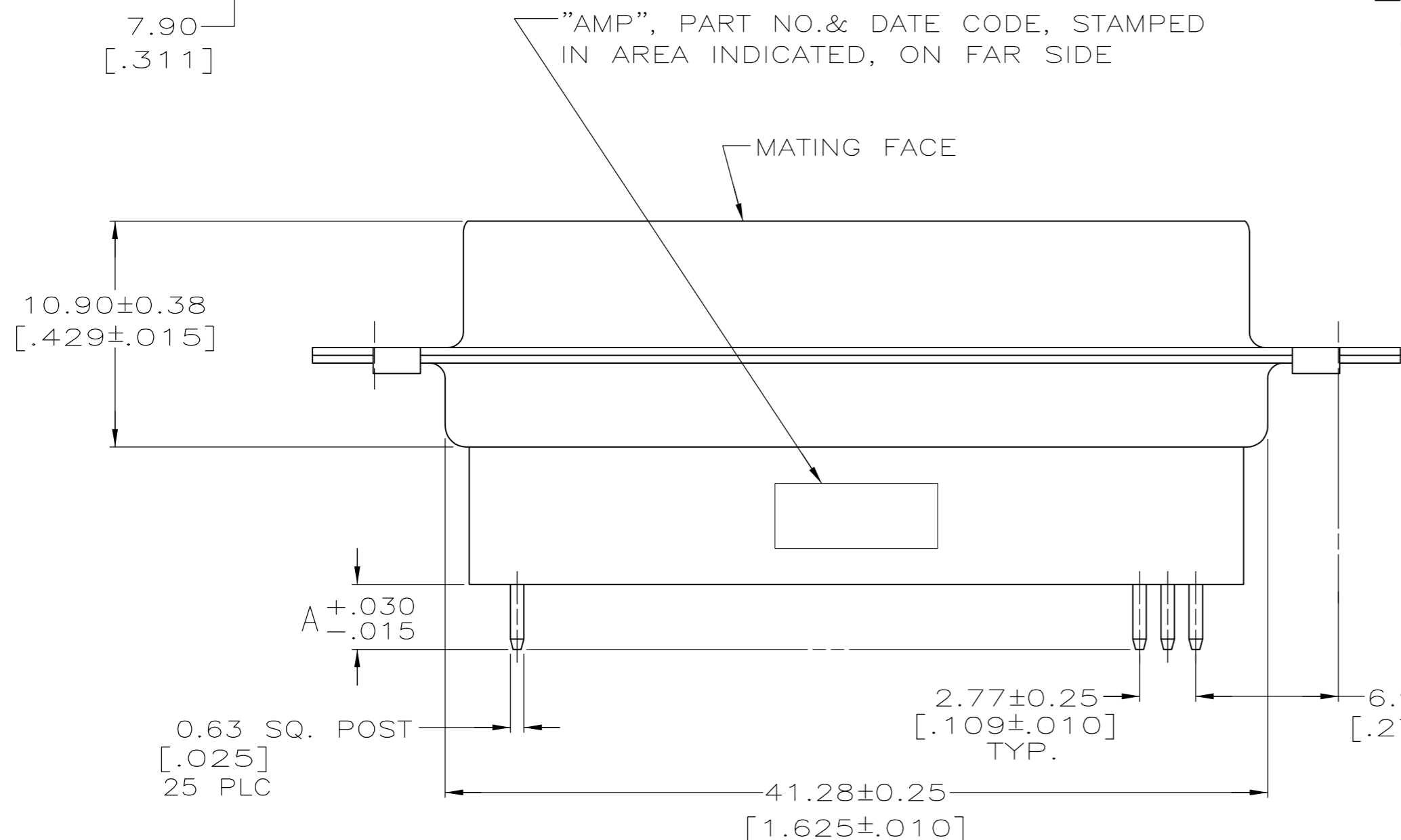


THIS DRAWING IS UNPUBLISHED. RELEASED FOR PUBLICATION
 © COPYRIGHT BY TYCO ELECTRONICS CORPORATION. ALL RIGHTS RESERVED.

LOC		DIST		REVISIONS			
P	LTR	DESCRIPTION	DATE	DWN	APVD		
GP	00						
	P	REVISED PER ECO-10-000073	17FEB2010	CJV	SB		



1. NOTE DELETED.
- ⚠ MOLDED PARTS: FLAME RETARDANT 94V-0 RATED THERMOPLASTIC; COLOR: BLACK. SHELLS: STEEL, CONTACTS: PHOS. BRONZE.
- ⚠ GOLD FLASH ON MATING END, 2.54μm [.000100] MIN TIN-LEAD ON SOLDER END, ALL OVER 1.27μm [.000050] MIN NICKEL.
- ⚠ 0.76μm [.000030] MIN GOLD ON MATING END, 2.54μm [.000100] MIN TIN-LEAD ON OPPOSITE END, ALL OVER 1.27μm [.000050] MIN NICKEL. -OR- GOLD FLASH OVER PALLADIUM-NICKEL 0.76μm [.000030] MIN TOTAL ON MATING END, 2.54μm [.000100] MIN TIN-LEAD ON OPPOSITE END, BOTH OVER 1.27μm [.000050] MIN NICKEL.
- ⚠ SELECTIVELY LOADED CAVITIES 2,3,4,5,8,10,14,15,16,17,21,23, AND 24.
- ⚠ 5.08μm [.000200] MIN TIN OVER 2.54μm [.000100] MIN COPPER.



CONTACT FINISH	DIMENSION A	PART NUMBER
⚠ 5 OBSOLETE	3.17 [.125]	1-745187-0
SUPSD BY 745187-3	8.43 [.332]	745187-9
	4.77 [.188]	745187-8
	4.77 [.188]	745187-7
SUPSD BY 745187-3	16.53 [.651]	745187-6
SUPSD BY 745187-3	16.53 [.651]	745187-5
SUPSD BY 745187-3	10.84 [.427]	745187-4
	10.84 [.427]	745187-3
SUPSD BY 745187-1	3.17 [.125]	745187-2
	3.17 [.125]	745187-1

THIS DRAWING IS A CONTROLLED DOCUMENT.

DIMENSIONS: mm [INCHES]	TOLERANCES UNLESS OTHERWISE SPECIFIED:	DWN J.GERACE 10/24/83	Tyco Electronics Corporation Harrisburg, PA 17105-3608
0 PLC ± -	1 PLC ± -	CHK J.GERACE 10/24/83	
2 PLC ± -	3 PLC ± 0.13 [.005]	APVD B. TAYLOR 1-04-84	RECEPTACLE ASSEMBLY, SIZE 3, 25 POSITION, VERTICAL, AMPLIMITE™HDP
4 PLC ± -	ANGLES ± 2°	PRODUCT SPEC 108-40025	
MATERIAL	FINISH	APPLICATION SPEC 114-40013	SIZE A2
⚠ 2	SHELLS: ⚠ 6	WEIGHT -	CAGE CODE 00779
	CONTACTS: SEE TABLE	CUSTOMER DRAWING	DRAWING NO C=745187

RESTRICTED TO -

SCALE NTS SHEET 1 OF 1 REV P