

Molded Parts Specification Control Drawing

Part Number : 462A023-X-12
Description : Transition, 1 to 3 Cables

NOTES

- All dimensions are in $\frac{\text{inches}}{[\text{millimeters}]}$
- Dimensions appearing in table are as follows:
 - a - As Supplied
 - b - After Unrestricted Recovery
- Coating is optional. As supplied dimensions appearing in table are for uncoated parts. When coating is added, entry diameters will be reduced by .06 max.

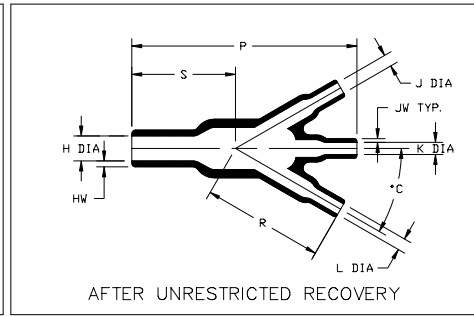
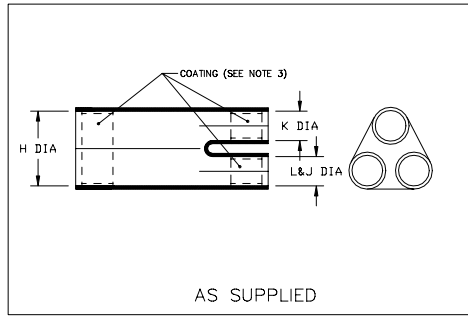


TABLE OF DIMENSIONS

PART NUMBER	H		K		J & L		P	R	S	HW	W	C
	Min	Max	Min	Max	Min	Max	±10%	±10%	±10%	±20%	±20%	±5°
	a	b	a	b	a	b	b	b	b	b	b	b
462A023-X-12	1.06 [26,9]	.52 [13,2]	1.00 [25,4]	.27 [6,9]	.62 [15,7]	.27 [6,9]	3.67 [93,2]	1.98 [50,3]	1.69 [42,9]	.10 [2,54]	.06 [1,52]	30°

If this document is printed it becomes uncontrolled.
Check for the latest revision.



TYCO ELECTRONICS
300 CONSTITUTION DRIVE
MENLO PARK, CALIFORNIA 94025

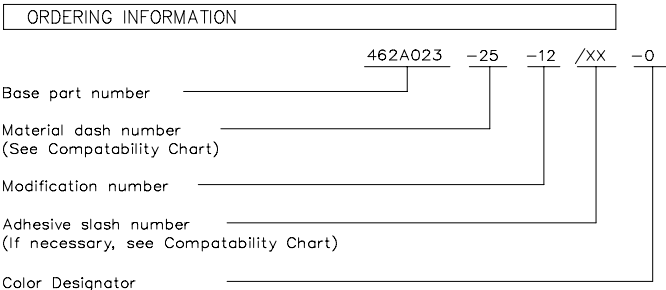
Revision : A
Date : 8/15/03

Part Number : 462A023-X-12
Description : Transition, 1 to 3 Cables

Molded Parts Specification Control Drawing

Part Number : 462A023-X-12
Description : Transition, 1 to 3 Cables

COMPATABILITY CHART					
MATERIAL DASH NO.	MATERIAL DESCRIPTION	RT SPEC	COATING SLASH NO.	COATING S NO.	COATING DESCRIPTION
-25	Elastomer, Fluid Resistant	RT-1325	N/A		



THIS DRAWING IS SUBJECT TO CHANGE WITHOUT NOTICE; CONSULT YOUR
NEAREST FIELD REPRESENTATIVE FOR CURRENT REVISION



TYCO ELECTRONICS
300 CONSTITUTION DRIVE
MENLO PARK, CALIFORNIA 94025

Revision : A
Date : 8/15/03

Part Number : 462A023-X-12
Description : Transition, 1 to 3 Cables