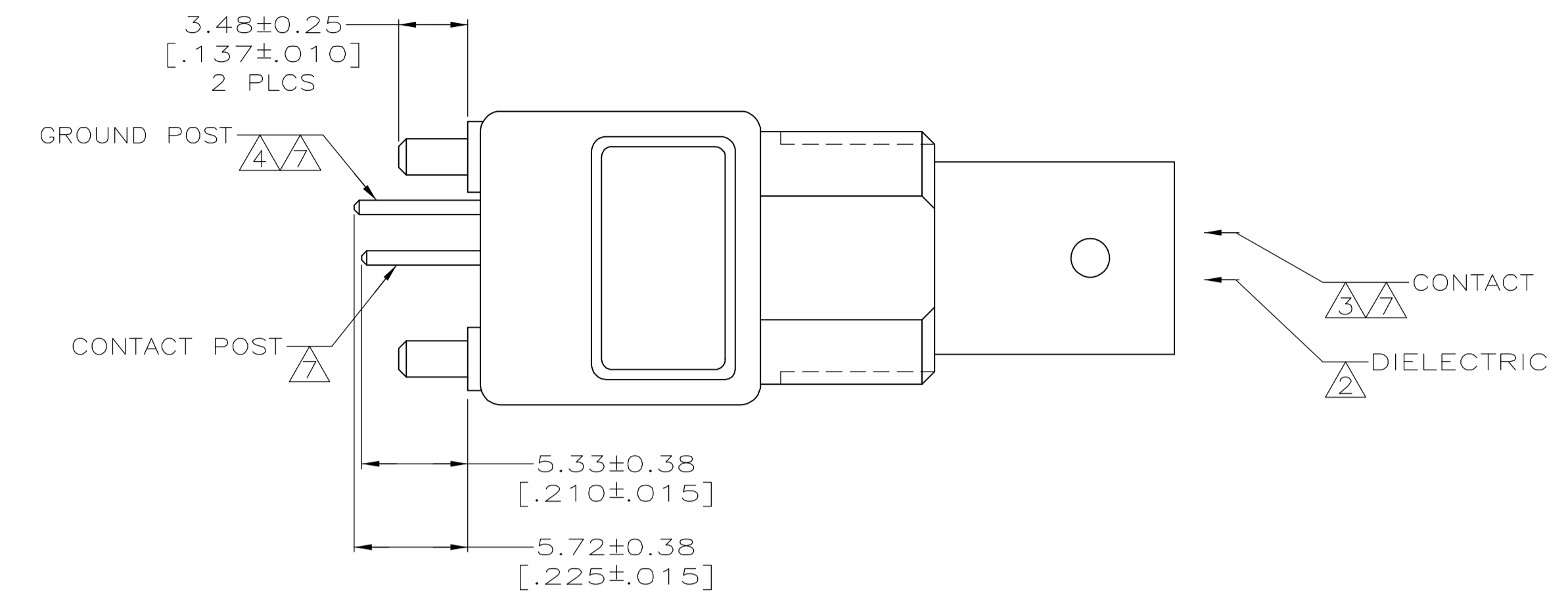
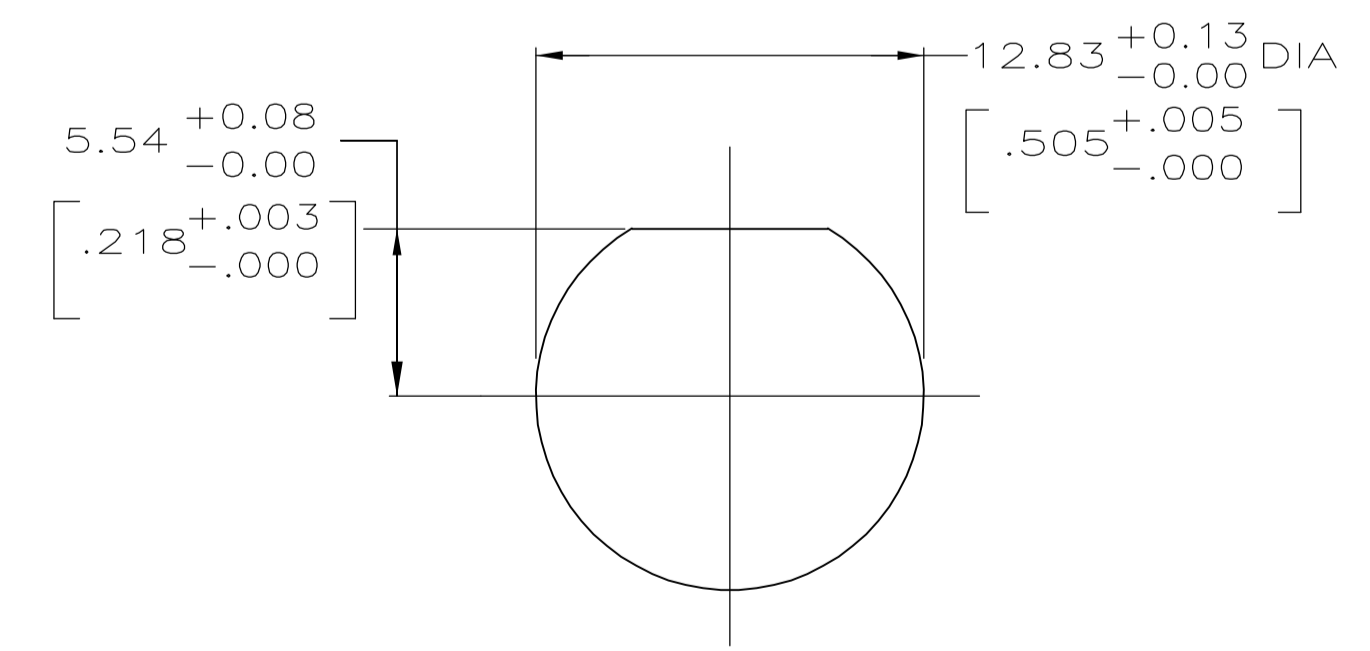
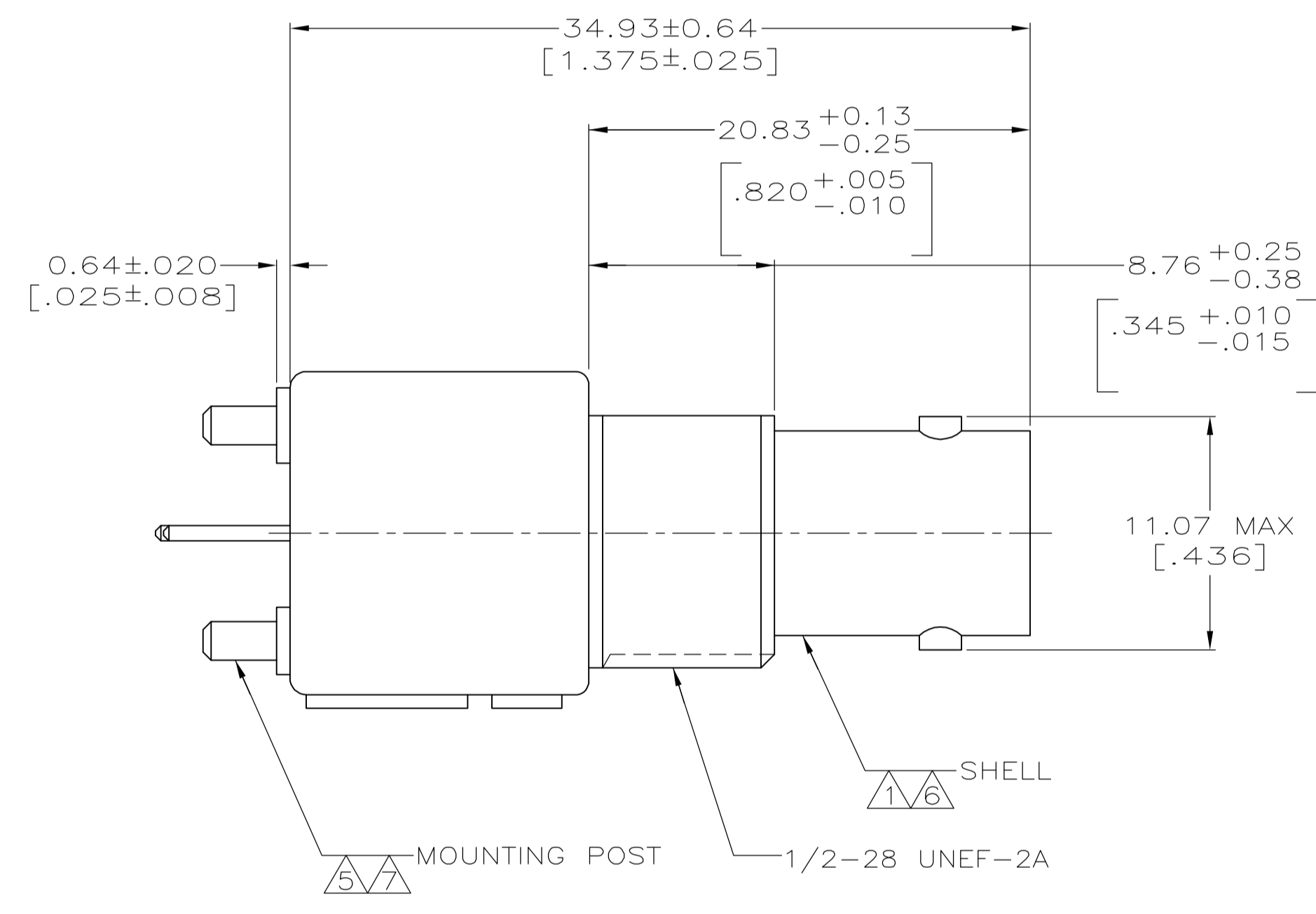
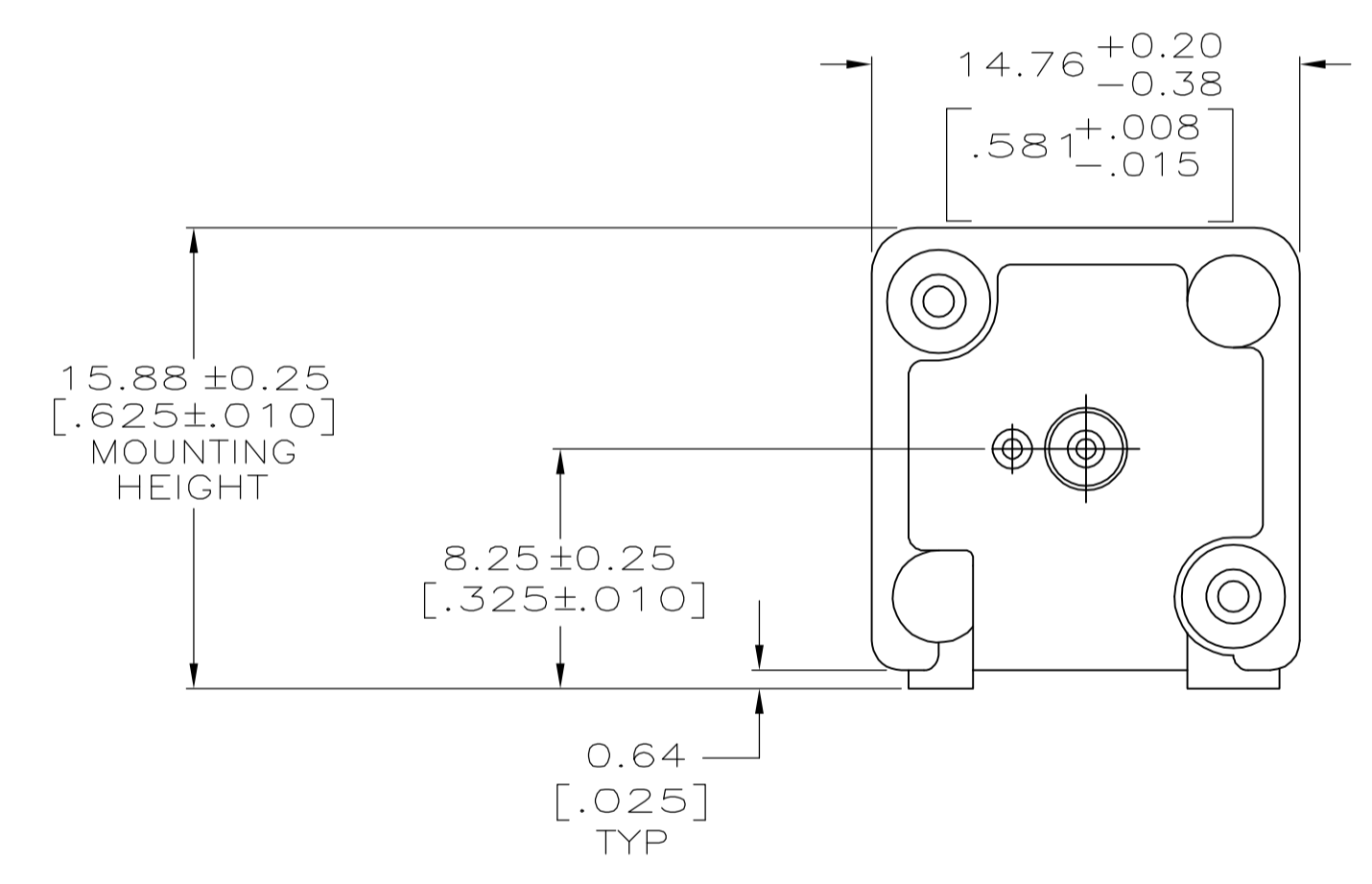


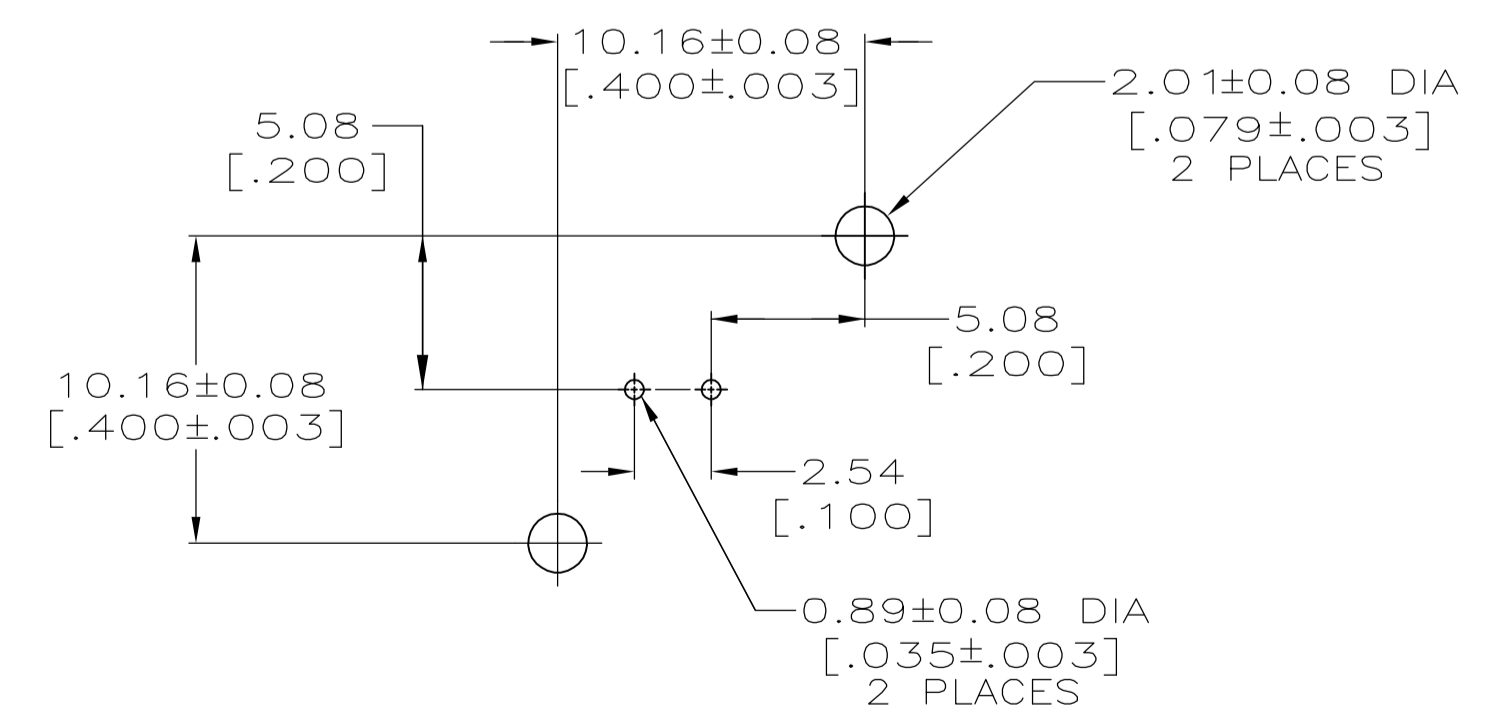
LOC		DIST		REVISIONS				
P	LTR	DATE	DMN	APVO	DESCRIPTION	DATE	DMN	APVO
AJ		16		C	PER EC 0514-0184-04	06JAN04	BM	JL



- ① ZINC PER QQ-Z-363.
- ② POLYMETHYLPENTENE PER ASTM-D-1238.
- ③ PHOSPHOR BRONZE PER QQ-B-750.
- ④ BRASS PER ASTM-B-453.
- ⑤ BRASS PER ASTM-B-16.
- ⑥ NICKEL PLATE PER QQ-N-290, 3.81 μm [.000150] MINIMUM THICK.
- ⑦ TIN PLATE PER ASTM-B-545, 3.81 μm [.000150] MINIMUM THICK.
- 8. SEE INSTRUCTION SHEET 2769.



RECOMMENDED PANEL CUTOUT



PCB CONFIGURATION

227671-1
 PART NUMBER

THIS DRAWING IS A CONTROLLED DOCUMENT.		DIN J. LIPPERT 6-30-92		Tyco Electronics Corporation Harrisburg, PA 17105-3608	
DIMENSIONS: INCHES		CIK A. GABANY 7-2-92		APVO A. GABANY 7-2-92	NAME
TOLERANCES UNLESS OTHERWISE SPECIFIED:		0 PLC ± -	PRODUCT SPEC	JACK, VERTICAL, PCB, 50 OHM, SERIES BNC	
1 PLC ± -		2 PLC ± 0.05 [.002]	APPLICATION SPEC	108-12078	
2 PLC ± -		3 PLC ± -	SIZE	CAGE CODE	DRAWING NO
3 PLC ± -		4 PLC ± -	RESTRICTED TO	A1	00779
ANGLES ± -		FINISH SEE NOTES 6-8	WEIGHT	C=227671	
MATERIAL SEE NOTES 1-5		CUSTOMER DRAWING	SCALE	SHEET	REV
			4:1	1 OF 1	C