

SPEC No.	ED-15G001A
----------	------------

ISSUE : September 28, 2017

TO ; _____

S P E C I F I C A T I O N S

Product Name DUST SENSOR

Model No. GP2Y1014AUF

These specifications contain 11 pages including the cover and appendix.
 This specification sheets and attached sheets shall be both side copy.
 After confirmation of the contents, please be sure to send back copy of the
 Specifications with approving signature on each.
 If you have any objections, please contact us before issuing purchasing order.

Accepted by:

Sharp Corporation

By : _____
 Name :
 Title :
 Date :

By : T. Ichinose
 Name : T. Ichinose,
 Title : Division Manager,
 Development Division. V
 Semiconductor Business Unit
 Electronic Components and Devices BU

By : _____
 Name :
 Title :
 Date :

Date : Sep. 28, 2017

Reviewed by :
 By : A. Yamaguchi
 Name : A. Yamaguchi
 Title : Associate Manager
 Date : Sep. 28, 2017

Prepared by :
 By : M. Okami
 Name : M. Okami
 Title : Supervisor
 Date : Sep. 28, 2017

1. These specification sheets include materials protected under copyright of Sharp Corporation ("Sharp").
Please handle with great care and do not reproduce or cause anyone to reproduce them without Sharp's consent.

2. When using this Sharp product, please observe the absolute maximum ratings, other conditions and instructions for use described in the specification sheets, as well as the precautions mentioned below.
Sharp assumes no responsibility for any damages resulting from use of the product which does not comply with absolute maximum ratings, other conditions and instructions for use included in the specification sheets, and the precautions mentioned below.

(Precautions)

(1) In making catalogue or instruction manual based on the specification sheets, please verify the validity of the catalogue or instruction manuals after assembling Sharp products in customer's products at the responsibility of customer.

(2) This Sharp product is designed for use in the following application areas ;

- Computers • OA equipment • Telecommunication equipment (Terminal) • Measuring equipment
- Tooling machines • Audio visual equipment • Home appliances

If the use of the Sharp product in the above application areas is for equipment listed in paragraphs (3) or (4), please be sure to observe the precautions given in those respective paragraphs.

(3) Appropriate measures, such as fail-safe design and redundant design considering the safety design of the overall system and equipment, should be taken to ensure reliability and safety when Sharp product is used for equipment in responsibility of customer which demands high reliability and safety in function and precision, such as ;

- Transportation control and safety equipment (aircraft, train, automobile etc.)
- Traffic signals • Gas leakage sensor breakers • Rescue and security equipment
- Other safety equipment

(4) Sharp product is designed for consumer goods and controlled as consumer goods in production and quality.
Please do not use this product for equipment which require extremely high reliability and safety in function and precision, such as ;

- Space equipment • Telecommunication equipment (for trunk lines)
- Nuclear power control equipment • Medical equipment

(5) Please contact and consult with a Sharp sales representative if there are any question regarding interpretation of the above four paragraphs.

3. Disclaimer

The warranty period for Sharp product is one (1) year after shipment.

During the period, if there are any products problem, Sharp will repair (if applicable), replace or refund.

Except the above, both parties will discuss to cope with the problems.

The failed Sharp product after the above one (1) year period will be coped with by Sharp, provided that both parties shall discuss and determine on sharing responsibility based on the analysis results thereof subject to the above scope of warranty.

The warranty described herein is only for Sharp product itself which are purchased by or delivered to customer.
Damages arising from Sharp product malfunction or failure shall be excepted.

Sharp will not be responsible for the Sharp product due to the malfunction or failures thereof which are caused by:

- (1) storage keep trouble during the inventory in the marketing channel.
- (2) intentional act, negligence or wrong/poor handling.
- (3) equipment which Sharp products are connected to or mounted in.
- (4) disassembling, reforming or changing Sharp products.
- (5) installation problem.
- (6) act of God or other disaster (natural disaster, fire, flood, etc.)
- (7) external factors (abnormal voltage, abnormal electromagnetic wave, fire, etc.)
- (8) special environment (factory, coastal areas, hot spring area, etc.)
- (9) phenomenon which cannot be foreseen based on the practical technologies at the time of shipment.
- (10) the factors not included in the product specification sheet.

4. Please contact and consult with a Sharp sales representative for any questions about Sharp product.

1. Application

This tentative specification applies to the outline and characteristics of Model No. GP2Y1014AU0F (Dust sensor).

2. Outline

Refer to the attached drawing No. CY15282i02B.

3. Ratings and characteristics

Refer to the attached sheet, Page 5 to 6.

4. Reliability

Refer to the attached sheet, Page 7.

5. Outgoing inspection

Refer to the attached sheet, Page 8.

6. Supplements

6-1 Output voltage vs Dust density characteristics[Example]:

Refer to the attached sheet, Page 9.

6-2 This product shall not contain the following materials.

Also, the following materials shall not be used in the production process for this product.

Materials for ODS : CFCs, Halon, Carbon tetrachloride, 1.1.1-Trichloroethane (Methylchloroform)

6-3 This product does not contain the chemical materials regulated by RoHS directive (except for the parts NOT regulated by RoHS directive).

6-4 Product mass : Approx. 16g

6-5 Packaging specification : Refer to the attached sheet, Page 10

6-6 Country of origin : China or Indonesia

6-7 Compliance with each regulation

6.7.1 The RoHS directive(2011/65/EU)

This product complies with the RoHS directive(2011/65/EU).

Object substances: mercury, lead, cadmium, hexavalent chromium, polybrominated biphenyls (PBB) and polybrominated diphenyl ethers (PBDE)

6.7.2 Content of six substances specified in Management Methods for Control of Pollution Caused by Electronic Information Products Regulation (Chinese : 电子信息产品污染控制管理办法).

Marking Styles for the Names and Contents of the Hazardous Substances

Category	Hazardous Substances					
	Lead (Pb)	Mercury (Hg)	Cadmium (Cd)	Hexavalent chromium (Cr ⁶⁺)	Polybrominated biphenyls (PBB)	Polybrominated diphenyl ethers (PBDE)
Dust sensor	×	○	○	○	○	○

This table is prepared in accordance with the provisions of SJ/T 11364.

○ : Indicates that said hazardous substance contained in all of the homogeneous materials for this part is below the limit requirement of GB/T 26572

× : Indicates that said hazardous substance contained in at least one of the homogeneous materials used for this part is above the limit requirement of GB/T 26572

7. Notes

7-1 Connection of case and GND

Case material use conductive resin as cover case (printed model No.) and metal (test terminal side) as bottom cover. The metal case connects with GND in sensor.

7-2 Cleaning

Please don't do cleaning, because there is a case that this device is not satisfied with its characteristics by cleaning.

7-3 Pulse input range

Please subject to recommendation written in the paragraph (3-4)as regard input condition for LED in order to keep reliability.

7-4 Dust Adhesion

There is a case that this product does not detect the dust density correctly, since the dust adhered to the inside of the dust through hole may project into the detecting space which consist of emitter and detector light axis. Please take the structure and mechanism of the equipment into consideration to avoid the influence of adhered dust. And when the dust is adhered, please consider the maintenance such as vacuuming or blowing off the dust by air.

In addition, please pay attention to structure and placing location of the application to avoid any adhesive particle like oil, etc. to gets into the device.

If it sticks to optical part, malfunction may occur.

7-5 Light output

In circuit designing, make allowance for the degradation of the light emitting diode output that results from long continuous operation.

(50% degradation/5years)

7-6 Sensitivity adjustment VR

VR for sensitivity adjustment is set up at shipping from Sharp.

Please do not touch the VR or Electro-optical characteristics specified on the specification will be invalid.

7-7 Resolution

Please do not disassemble the device such as removing a tapping screw and so on.

Even if the device is reassembled, it may not satisfy the specification.

7-8 Application to fire alarm

Please do not use this device for a fire alarm application. When using this device to application other than air purifying and equipment with air purifying function, please inform us before usage.

7-9 Noise influence

If the sensor is located close to noise source (ex. Electric dust collector, etc.),

The sensor output may be affected by leaded noise.

On top of that noise from power supply line also may affect the sensor output.

When designing the system, please consider the effect from noise.

7-10 Vibration influence

The sensor may change its output value under mechanical oscillation.

Before usage, please make sure that the device works normally in the application.

7-11 Incident light influence

There is a case that the sensor output may be affected when outer-light comes through dust through hole on printed side.

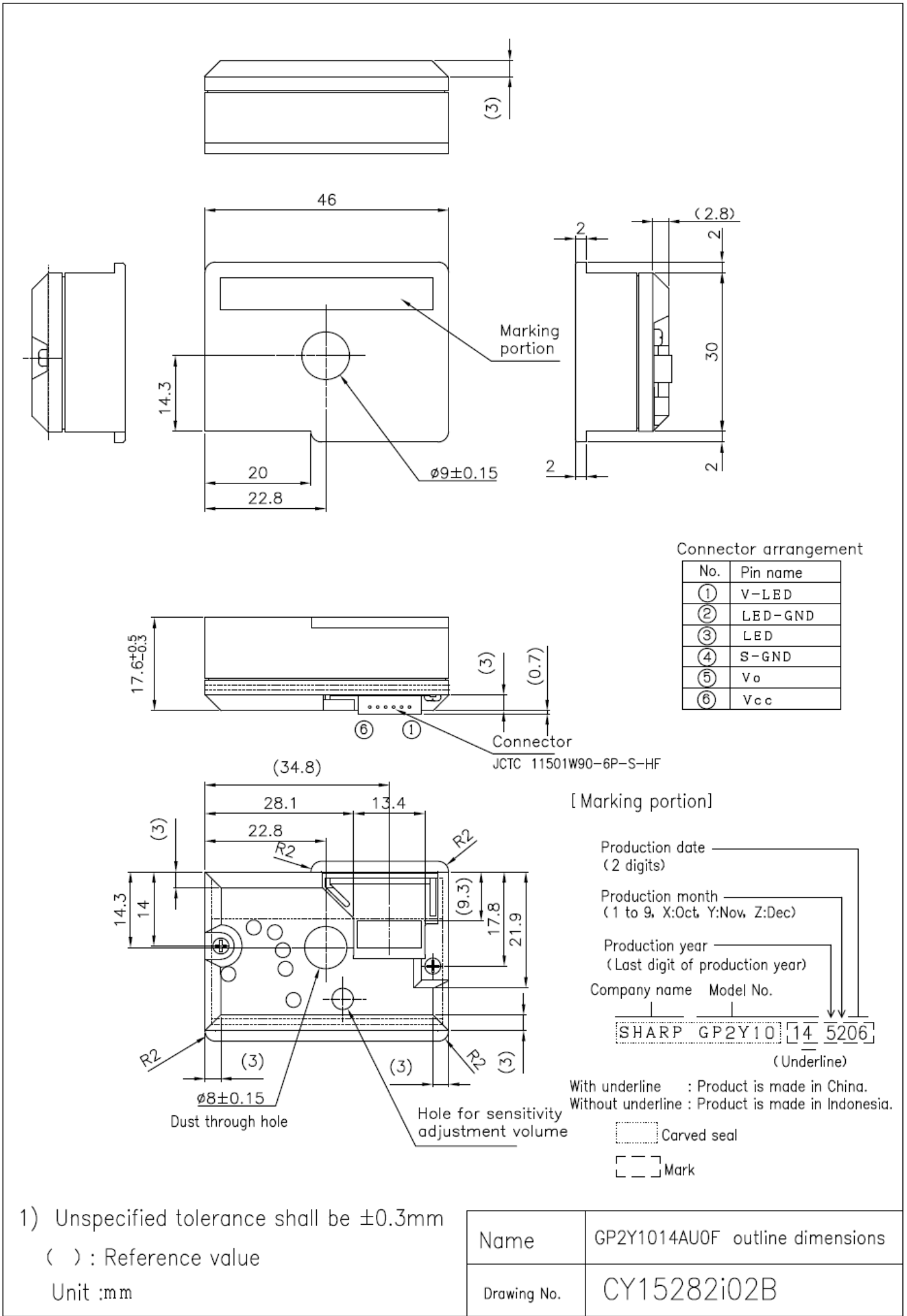
In order to avoid any influence from outer-light, please locate the printed side of the sensor facing to inside of the application.

7-12 Dewing

When inside of the sensor is moisturized, this product does not keep its proper function.

Please design the application so that moisturization of the sensor does not happen.

2. Outline

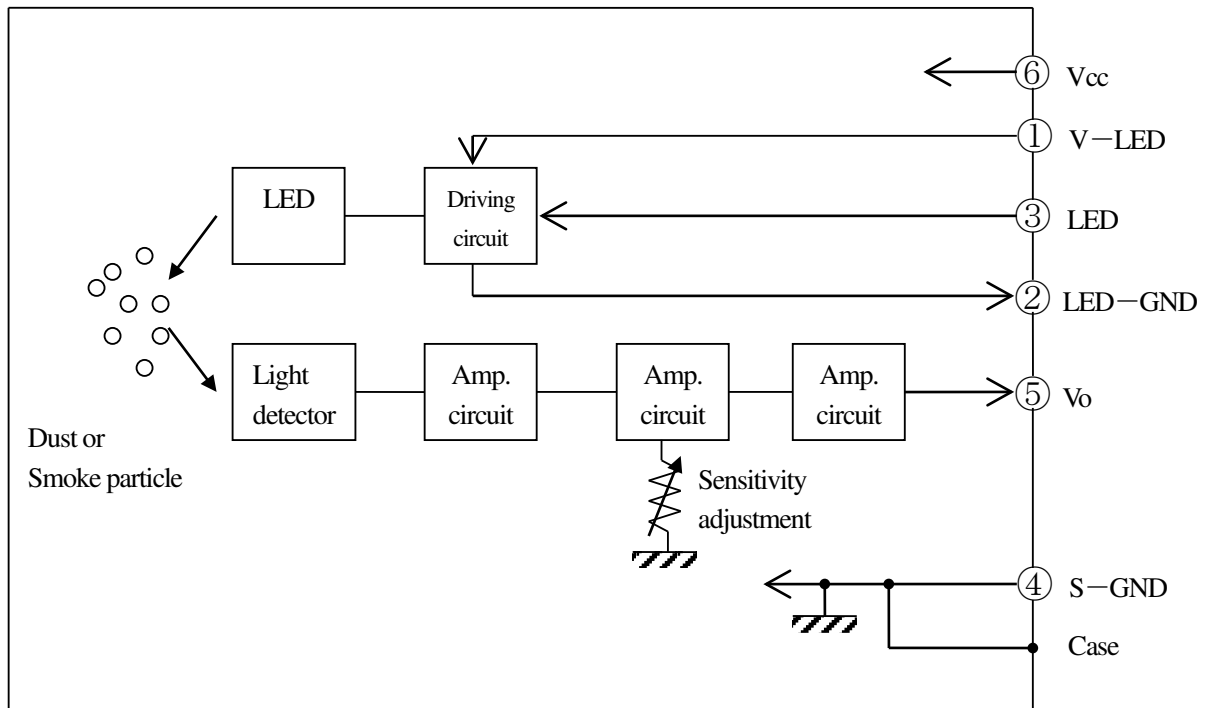


1) Unspecified tolerance shall be ± 0.3 mm
 () : Reference value
 Unit :mm

Name	GP2Y1014AU0F outline dimensions
Drawing No.	CY15282i02B

3. Ratings and characteristics

3-1 Constitution diagram



3-2 Absolute maximum ratings

(Ta=25°C)

Parameter	Symbol	Rating	Unit	Remark
Supply voltage	Vcc	-0.3 to +7	V	—
Input terminal voltage	V-LED	-0.3 to Vcc	V	Open Drain drive input
Operating temperature	Topr	-10 to +65	°C	—
Storage temperature	Tstg	-20 to +80	°C	—

•Operating Supply Voltage

Symbol	Rating	Unit	Remark
Vcc	5±0.5	V	—

3-3 Electro-optical Characteristics

(Ta=25°C, Vcc=5V)

Parameter	Symbol	Conditions	Min.	Typ.	Max.	Unit
Sensitivity	K	(*1)(*2)(*3)(*4)	0.425	0.5	0.575	V/ (100 μ g/m ³)
Output voltage at no dust	Voc	(*2)(*3)(*4)	0.1	0.6	1.1	V
Output voltage range	VOH	RL=4.7k Ω (*2)(*3)(*4)	3.4	-	-	V
LED terminal current	I _{LED}	LED terminal=0V (*2)(*3)	-	10	20	mA
Supply current	ICC	RL= ∞ (*2)(*3)	-	11	20	mA

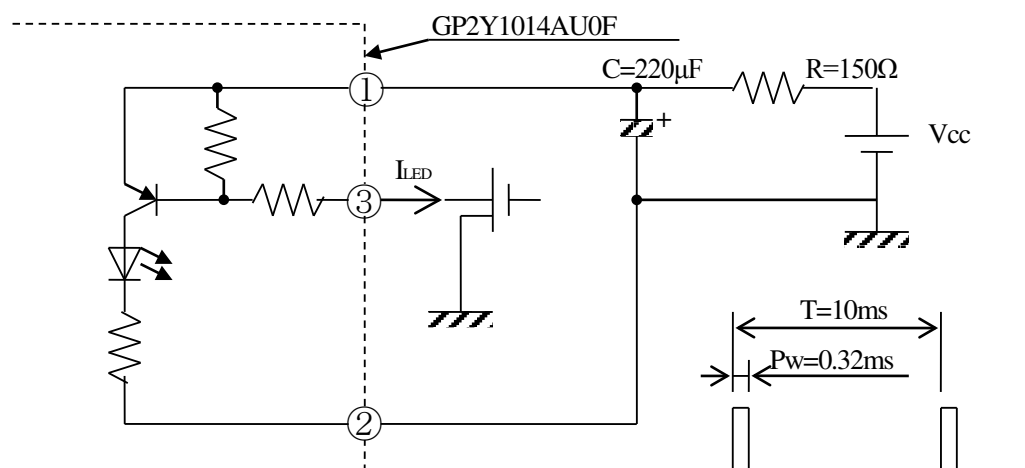
(*1) - Dust density shall be measured the density of Mevius by using a digital dust indicator.

(P-5L2 made by SIBATA SCIENTIFIC TECHNOLOGY LTD.)

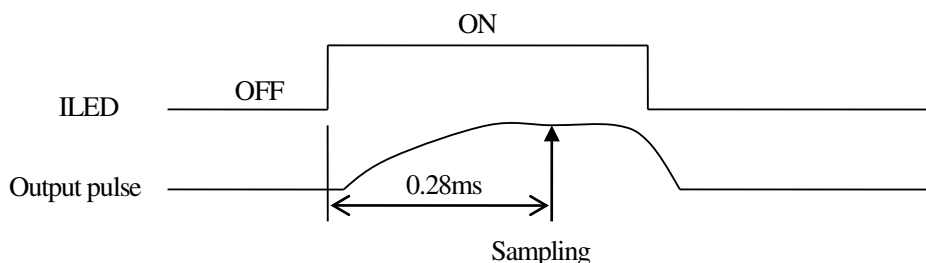
- Sensitivity : K shall be specified about output voltage change when dust density is changed 100 μ g/m³.

(*2) Input condition for LED input terminal (Pulse driving condition)

(*3) Connect C and R of value shown in below drawing.



(*4) Sampling timing of output pulse



3-4 Recommended input condition for LED input terminal

Parameter	Symbol	Recommendation	Unit
Pulse cycle	T	10 \pm 1	ms
Pulse width	Pw	0.32 \pm 0.02	ms

4. Reliability

The reliability of products shall be satisfied with items listed below.
90%

Confidence level :

LTPD : 20 or 30

No.	Test Items	Test Conditions	Failure Judgment Criteria	$\frac{\text{Samples (n)}}{\text{Defective(C)}}$
1	Temperature cycling	<p>20 cycles</p>	$L \times 0.8 > K$ $K > U \times 1.2$	n=11, c=0
2	High temp. and high humidity storage	+60°C, 90%RH, 500h	$V_{oc} > U \times 1.2$	n=11, c=0
3	High temp. and high humidity operation	+60°C, 90%RH, $V_{cc}=5V$, 500h	U : Upper specification limit	n=11, c=0
4	High temp. storage	+80°C, 500h	L : Lower specification limit	n=11, c=0
5	High temp. operation	+65°C, $V_{cc}=5V$, 500h		n=11, c=0
6	Low temp. storage	-20°C, 500h		n=11, c=0
7	Low temp. operation	-10°C, $V_{cc}=5V$, 500h		n=11, c=0
8	Mechanical shock	1000m/s ² , 6.0ms 3 times /±X, ±Y, ±Z direction		n=8, c=0
9	Variable frequency Vibration	5 to 55 to 5Hz/1min. overall amplitude : 1.5mm 2h/X, Y, Z direction		n=8, c=0

*1 Test conditions are according to 3-3 Electro-optical characteristics.

*2 After test, measurement shall be done after leaving under the normal temperature and the normal humidity for 2h. And there should be no dew.

*3 LED terminal input conditions for operating test apply according to electro-optical characteristics(3-3).

*4 These test results are sampling examples from a specific lot for reference purpose only, and do not constitute any warranty or assurance in connection with the products.

5. Outgoing inspection

(1) Inspection lot

Inspection shall be carried out per each delivery lot.

(2) Inspection method

A single sampling plan, normal inspection level II based on ISO 2859 shall be adopted.

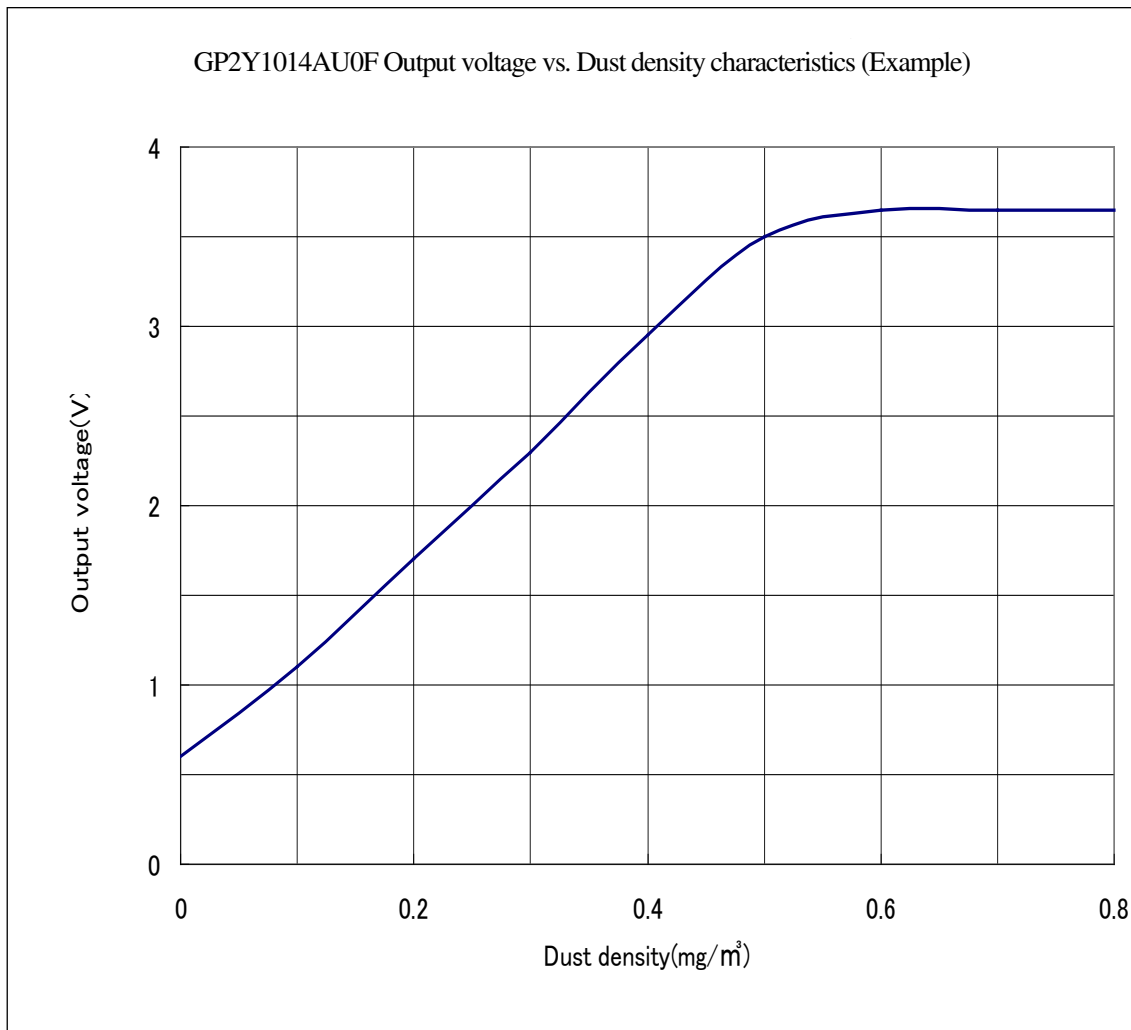
Defect	Inspection item	AQL (%)
Major defect	Electro-optical characteristics defect (In para. 3-3)	0.4
Minor defect	Defect on appearance and dimension (* Split, chip, scratch, stain)	1.0

(* Split, chip, scratch, stain

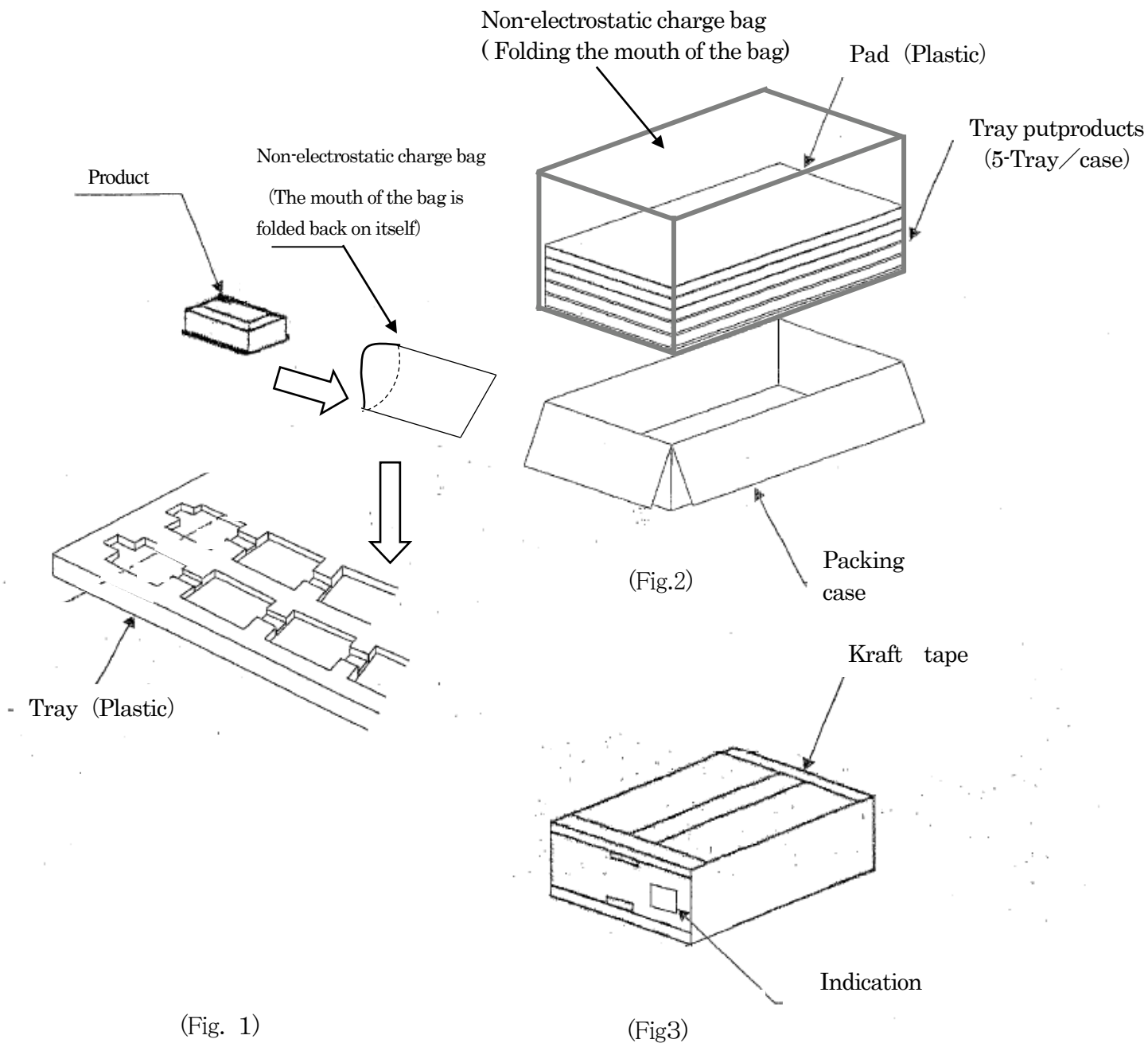
One which affects the characteristics of para. 3-3 shall be defect.

(* Rust shall not be defect.

6-1 Test conditions are according to 3-3 Electro-optical characteristics.



6-4 Packing specification



Packaging method

1. Put products in a non-electrostatic charge bag (turning down a non-electrostatic charge bag) of 50pcs in tray. Packing method is showed in the above fig. (Fig.1)
2. Put them (5-tray) with product on a non-electrostatic charge bag and put in the packing box. Put pad on their top. (Fig.2)
3. Seal the packing box with kraft tape.(Folding the mouth of the bag)
4. The mouth of the bag shall put it on top of one another
Print the model No., quantity, inspection date. (250pcs/a packing box) (Fig.3)
5. Indication items
The contents of the carton indication conforms to EIAJ C-3 and the following items are indicated.
Model No., Internal production control name, Quantity, Packing date,
Corporate name, Country of origin

(Formal packed mass : Approximately 5.6kg)