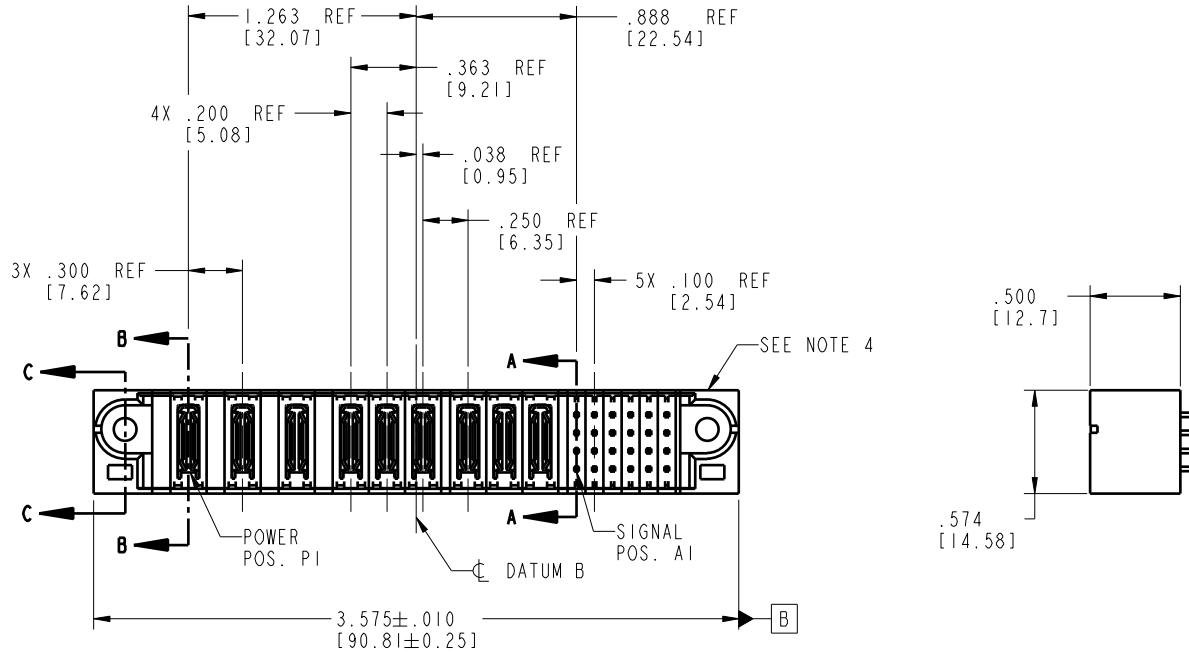


Tous droits strictement réservés. Reproduction ou communication o des liens interdite sous quelque forme que ce soit sans autorisation écrite du propriétaire. Propriété de c FCI. Droits de reproduction FCI.



All rights strictly reserved. Reproduction or issue to third parties in any form whatsoever is not permitted without written authority from the proprietor. Property of FCI. Copyright FCI.

PRODUCT NO.	ROWS	POWER									SIGNAL								
		E1	P1	P2	P3	P4	P5	P6	P7	P8	P9	1	2	3	4	5	6	E2	
51952-087-- NOTE ③	0 UBA		PA	PA	PA	PA	PA	PA	PA	PA	PA	PA	PA	PA	PA	PA	PA	PA	



CODE	DIM "M" MATING LENGTH	CONTACT TYPE
PA	N/A [N/A]	POWER
E	.270 [6.86]	SIGNAL
H	.220 [5.59]	SIGNAL

mat'l code SEE NOTE 2				tolerances unless otherwise specified		CUSTOMER			
lir	ecn no.	dr	date	linear	angles	projection	www.fciconnect.com		
A	DG06-0022	RYAN	01/18/06	.XX±.01/0.X±0.3	0°±2°		title 9P + 24S VERTICAL STB HEADER		
				.XXX±.005/0.XX±0.13		INCH/MM	product family	PwrBlade	code
				.XXX±.002/0.XXX±0.051		scale	size	dwg no	sheet
				dr RYAN YUAN 01/18/06		1:1	A	51952-087	1 of 4
				eng STEVEN WANG 01/18/06					
				chr BEER FU 01/18/06					
				opod JOSEPH HSIA 01/18/06					
sheet index	revision	A	A	A	A				
	sheet	1	2	3	4				

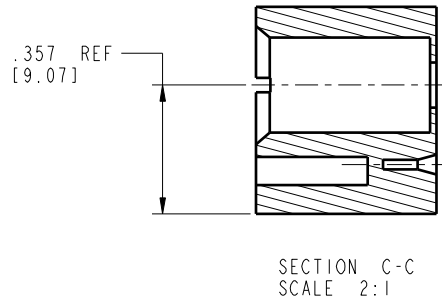
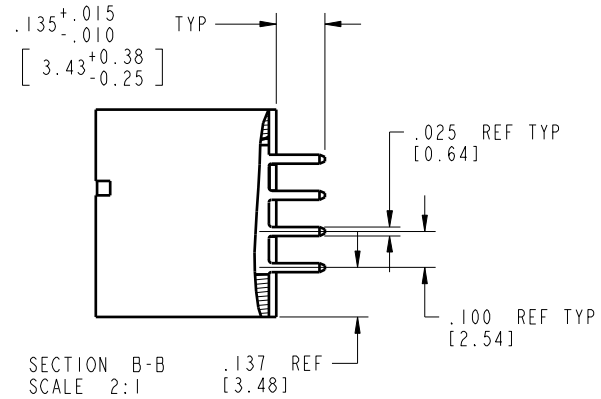
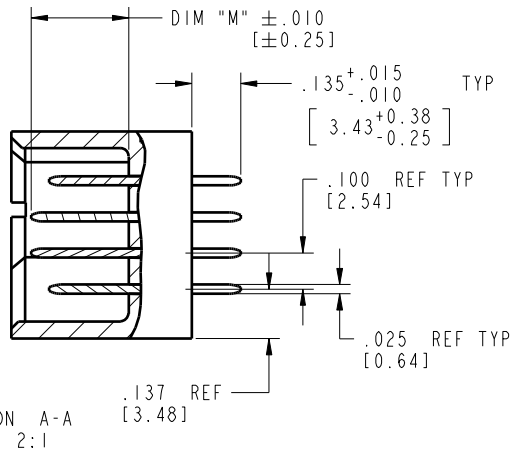
code code 22526

Pro/E

Tous droits strictement réservés. Reproduction ou communication à des tiers interdite sans quelque forme que ce soit sans autorisation écrite du propriétaire. Propriété de c FCI. Droits de reproduction FCI.

All rights strictly reserved. Reproduction or issue to third parties in any form whatsoever is not permitted without written authority from the proprietor. Property of FCI. Copyright FCI.

PRODUCT NUMBER
51952-087--
NOTE ③



mat'l code SEE NOTE 2				tolerances unless otherwise specified		CUSTOMER		A FCI		www.fciconnect.com	
lir	ecn no.	dr	date	linear	.XX±.01/0.X±0.3	COPY		projection		title	
A					.XXX±.005/0.XX±0.13			⊕		9P + 24S	
				angles	.XXX±.002/0.XXX±0.051					VERTICAL STB HEADER	
				dr	0° ± 2°	RYAN YUAN 01/18/06		INCH/MM		product family PwrBlade code	
				engr		STEVEN WANG 01/18/06		size		213	
				chr		BEER FU 01/18/06		scale		sheet	
				appd		JOSEPH HSIA 01/18/06		1:1		2 of 4	
sheet index		revision sheet									

code code 22526

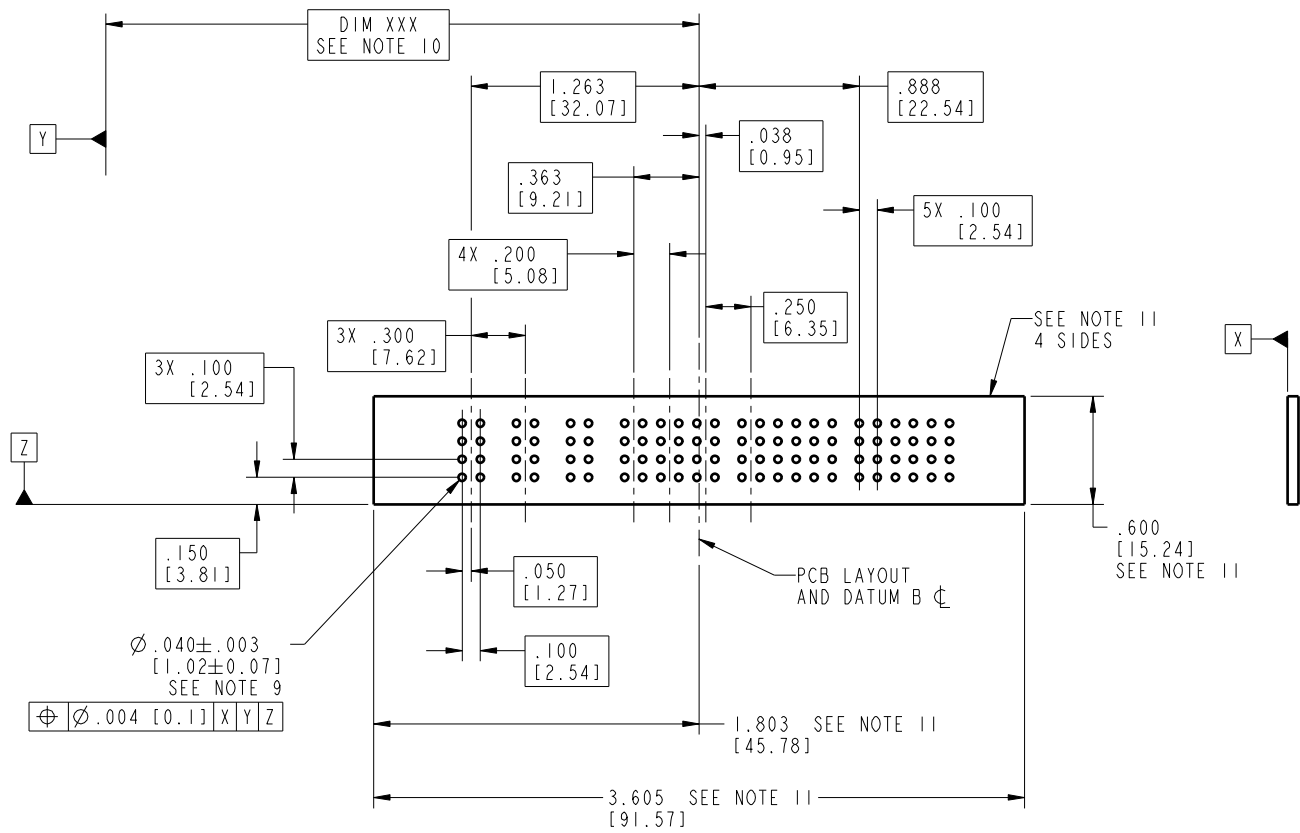
Pro/E

Tous droits strictement réservés. Reproduction ou communication à des tiers interdite sous quelque forme que ce soit sans autorisation écrite du propriétaire. Propriété de c FCI. Droits de reproduction FCI.



All rights strictly reserved. Reproduction or issue to third parties in any form whatsoever is not permitted without written authority from the proprietor. Property of FCI. Copyright FCI.

PRODUCT NUMBER
51952-087--
NOTE ③



mat'l code				SEE NOTE 2		tolerances unless otherwise specified		CUSTOMER		A FCI		www.fciconnect.com	
lir	ecn no.	dr	date	linear	.XX±.01/0.X±0.3	projection		COPY		title		9P + 24S	
A				angles	.XXX±.005/0.XX±0.13	INCH/MM		product family		PwrBlade		code	
				dr	.XXX±.002/0.XXX±0.051	scale		size		dwg no		213	
				engr	0° ± 2°	1:1		A		51952-087		sheet	
				chr	RYAN YUAN 01/18/06							3 of 4	
				appd	STEVEN WANG 01/18/06								
					BEER FU 01/18/06								
					JOSEPH HSIA 01/18/06								
sheet index	revision sheet												

code code 22526

Pro/E

Tous droits strictement réservés. Reproduction ou communication à des tiers interdite sans quelque forme que ce soit sans autorisation écrite du propriétaire. Propriété de c FCI. Droits de reproduction FCI.



All rights strictly reserved. Reproduction or issue to third parties in any form whatsoever is not permitted without written authority from the proprietor. Property of FCI. Copyright FCI.

1 | 2

3 |

4

PRODUCT NUMBER

51952-087--
NOTE ③

NOTES:

1. DIMENSIONS AND TOLERANCES ARE IN ACCORDANCE WITH ASME Y14.5M, 1994 UNLESS OTHERWISE SPECIFIED.

CONNECTOR NOTES:

② HOUSING MATERIAL: UL 94 V-0 GLASS FILLED HIGH-TEMP THERMOPLASTIC
POWER CONTACT MATERIAL: COPPER ALLOY
SIGNAL PIN MATERIAL: COPPER ALLOY

3. PLATING:
51952-087; 51952-087LF; 51952-087GLF SEE PRINT 10064183

④ MANUFACTURER'S NAME, P/N, AND DATE CODE TO APPEAR ON THIS SURFACE.

5. PRODUCT SPECIFICATION GS-12-149.
APPLICATION SPECIFICATION BUS-20-067.

6. PACKAGED IN TRAYS.

PCB NOTES:

7. ALL HOLE DIAMETERS ARE FINISHED HOLE SIZE.

8. MOUNTING HOLES, WHERE APPLICABLE, ARE UNPLATED.

⑨ $\varnothing .0453 \pm .0010$ [1.151 \pm 0.025] DRILLED HOLES PLATED WITH
.0003 [0.008] MIN SnPb OVER .001 [0.03]
TO .003 [0.08] Cu PLATING TO ACHIEVE
 $\varnothing .040 \pm .003$ [1.02 \pm .07] HOLE.

⑩ "DIM XXX" TO BE DETERMINED BY THE CUSTOMER.

⑪ CONNECTOR KEEP-OUT ZONE.

A

A

B

B

mat'l code				SEE NOTE 2	tolerances unless otherwise specified		CUSTOMER		A FCI		www.fciconnect.com	
lir	ecr no.	dr	date	linear	.XX±.01/0.X±0.3	COPY		projection		title		
A					.XXX±.005/0.XX±0.13					9P + 24S		
				angles	.XXX±.002/0.XXX±0.051					VERTICAL STB HEADER		
				dr	0° ± 2°							
				eng	RYAN YUAN 01/18/06	INCH/MM		product family		PwrBlade		code
				chr	STEVEN WANG 01/18/06			size		dwg no		213
				appd	BEER FU 01/18/06			scale		51952-087		sheet
					JOSEPH HSIA 01/18/06			1:1		A		4 of 4
sheet index	revision		sheet									

1 | 2

Pro/E

3 |

code code 22526

4