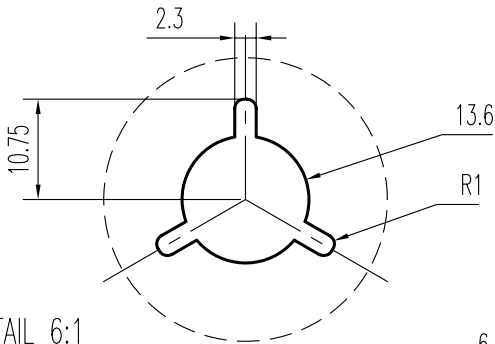
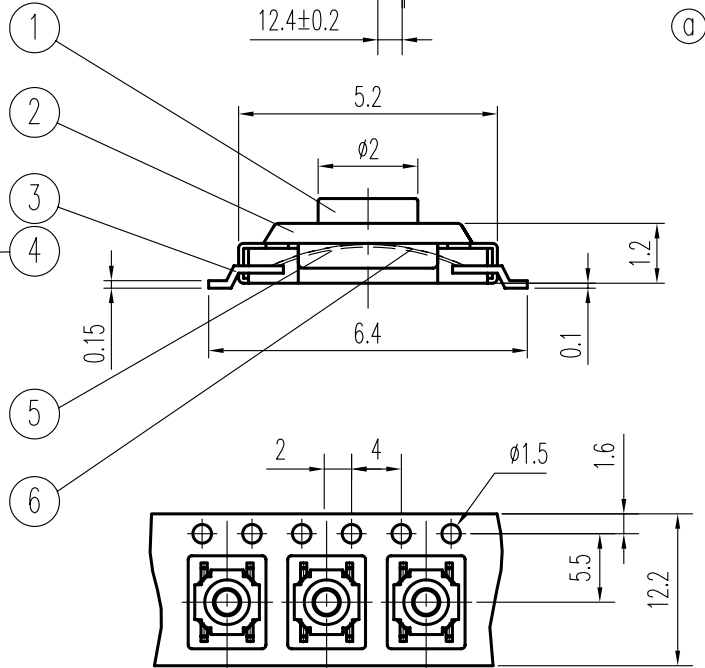
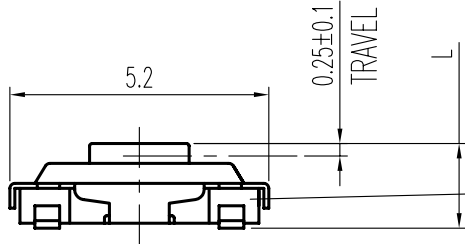
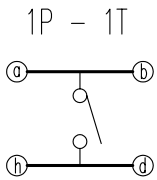


操作力 Operating force (gf)	
1	180 ±50
2	160 ±50
3	250 ±50

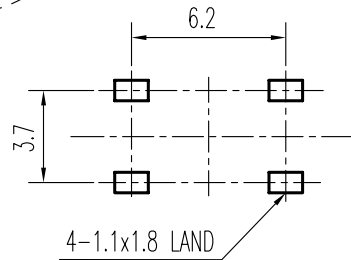
L	
A	1.6±0.05
B	1.5±0.05
C	1.7±0.1



P DETAIL 6:1



电路示意图 CIRCUIT SCHEMATIC



P.C.B. B安装位置尺寸 P.C.B LAND DIMENSION

* Total 3000pcs. per reel.

规格 Specification:

额定负荷 Ratings	DC 12V 50mA
初期接触电阻 Initial Contact Resistance	100mΩ Max.
绝缘电阻 Insulation Resistance	DC 100V 60±5 Sec. 100MΩ Min.
抗电强度 Dielectric Voltage	AC 250V(50~60HZ) 60±5Sec.
负荷寿命 Operating life with load	50,000次

6	防尘罩 DUST COVER	POLYIMIDE TAPE ①	1	YELLOW
5	弹片 SPRING PLATE	SUS	1	Ag CLAD
4	胶壳 HOUSING	PA	1	BLACK C
3	端子 TERMINAL	C2680R	4	Ag PLATED
2	盖片 COVER PLATE	SUS	1	NATURAL
1	铜柄 KNOB	C2680R	1	NATURAL
序号 NO.	零件 PART	材料 MATERIAL	数量 QTY	备注 REMARKS

A02	RS-187R05A1-DS MT RT	刘红梅	06-04-06
	→ RS-187R05 -DS MT RT 见 ①		
	ADD: 操作力和柄长规格表栏 见 ①		
A01	KAPTON FILM → POLYIMIDE TAPE 见 ①	谢柳恒	2005/6/4
标号 REV	内容 DESCRIPTION	签名 SIGN.	日期 DATE

DWG NO. ITEM2531

TOLERANCES UNLESS OTHERWISE SPEC.		TITLE	TACT SWITCH		ITEM NO	RS-187R05 -DS MT RT ①	
UNDER 1	± 0.10	DRAWN	刘红梅	06-04-06	VERSION	A02	PAGE 1 OF 1
1 - 10	± 0.30	REVIEWED	张念明	06-04-07	SCALE		UNIT mm
OVER 10	± 0.50	APPROVED	林高全	06-04-07	PROJECTION		

COMAX ELECTRONICS (HUIZHOU) CO.,LTD.