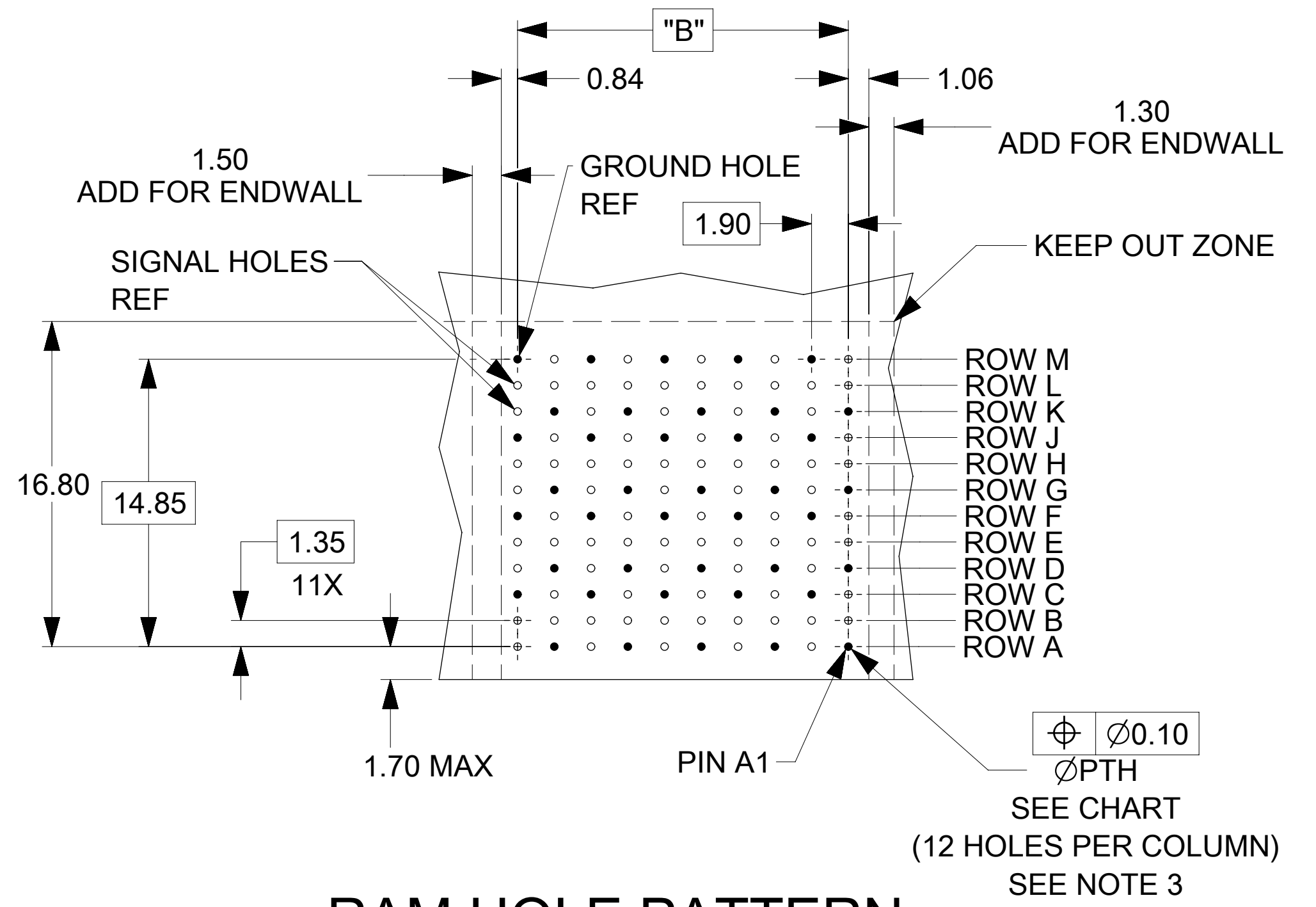
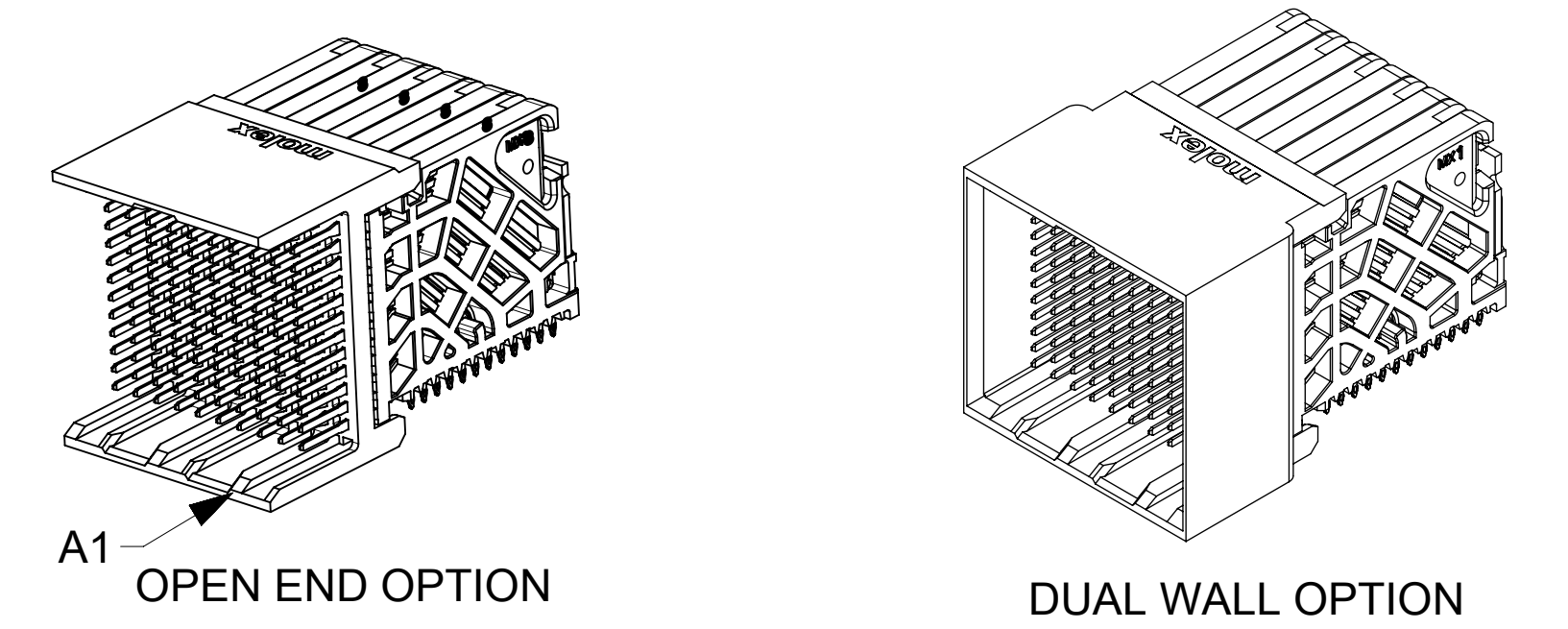
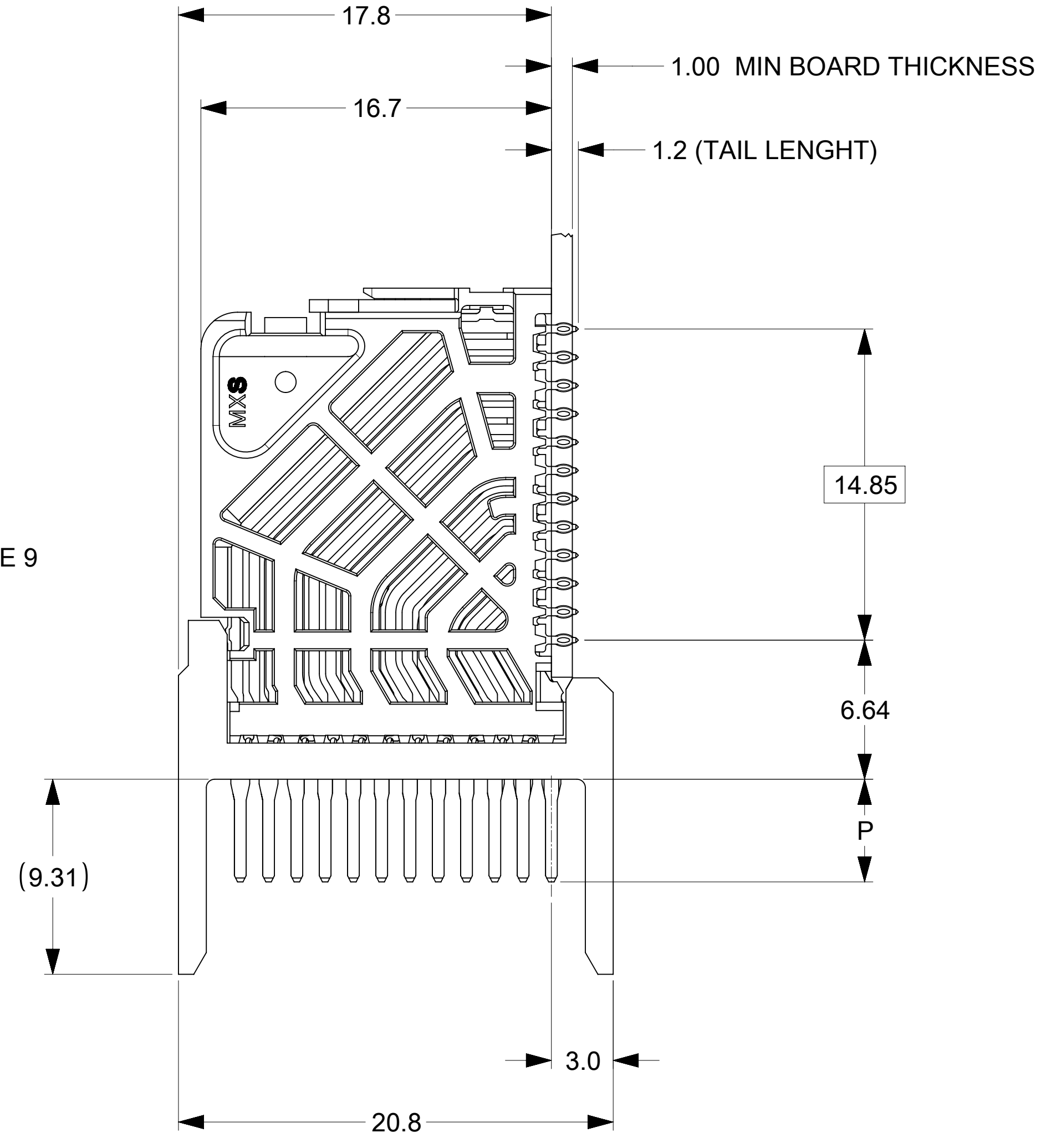
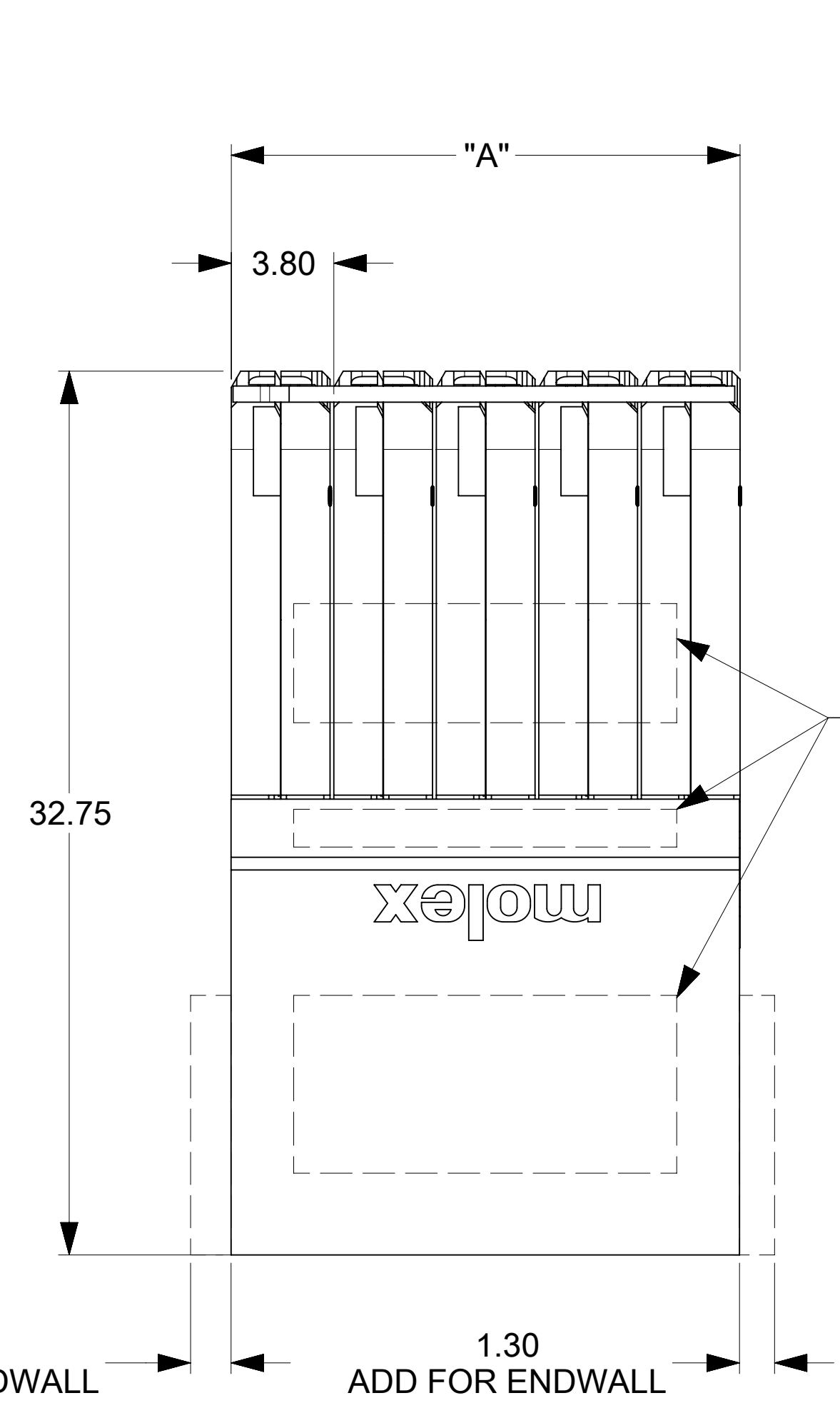


MATERIAL NUMBER	# OF COLUMNS	# OF DIFF PAIR	DIM "A" MAX	DIM "B"	PTH ϕ
76500-*8**	8	32	15.20	13.30	0.46±0.05
76500-*1**	10	40	19.00	17.10	0.46±0.05
76500-*6**	16	64	30.40	28.50	0.46±0.05
76500-*8**	8	32	15.20	13.30	0.39±0.05
76500-*1**	10	40	19.00	17.10	0.39±0.05
76500-*6**	16	64	30.40	28.50	0.39±0.05

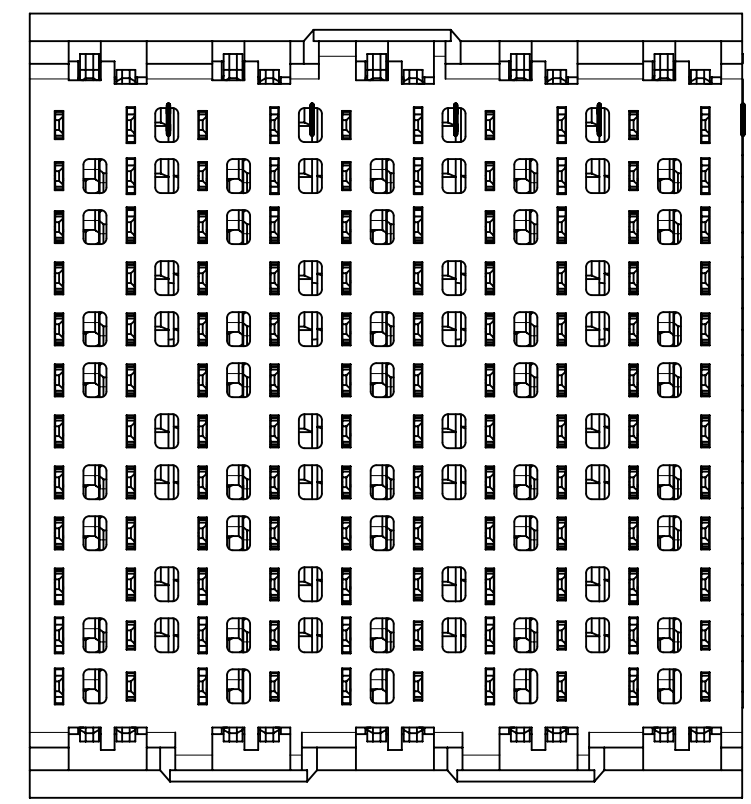
76500-****

- MODULE TYPE**
1 = UNGUIDED, LEAD-FREE
- # OF COLUMNS**
1 = 10 COLUMNS
6 = 16 COLUMNS
8 = 8 COLUMNS
- PIN LENGTH (P)**
4 = 4.90 (0.46 PTH)
5 = 5.50 (0.46 PTH)
7 = 4.90 (0.39 PTH)
8 = 5.50 (0.39 PTH)
- END WALL OPTIONS**
0 = OPEN ENDS
1 = LEFT ENDWALL
2 = DUAL ENDWALL
3 = RIGHT ENDWALL

- NOTES:
- MATERIALS: HOUSING - LIQUID CRYSTAL POLYMER (LCP), GLASS-FILLED, UL94V-0
TERMINALS - HIGH PERFORMANCE COPPER ALLOY
 - FINISH: 30 μ IN SELECTIVE GOLD IN CONTACT AREA, SELECTIVE TIN ON PCB TAILS, NICKEL OVERALL.
 - REFER TO MOLEX PRODUCT SPECIFICATION PS-76060-999 FOR PERFORMANCE SPECIFICATIONS AND ADDITIONAL PCB INFORMATION.
 - EACH SIGNAL WAFER CONTAINS 2 COLUMNS OF TERMINALS.
 - PRODUCT IS PACKAGED PER PK-70873-041.
 - THIS PART CONFORMS TO CLASS B REQUIREMENTS OF COSMETIC SPEC PS-45499-002.
 - REFER TO MOLEX SALES DRAWING SD-76160-001 FOR THE MATING RECEPTACLES.
 - REFER TO MOLEX PCB ROUTING GUIDE AS-76060-990 FOR ANTIPAD AND ROUTING RECOMMENDATIONS.
 - MARKING: LOCATED APPROXIMATELY AS SHOWN. PART NUMBER AND DATE CODE.



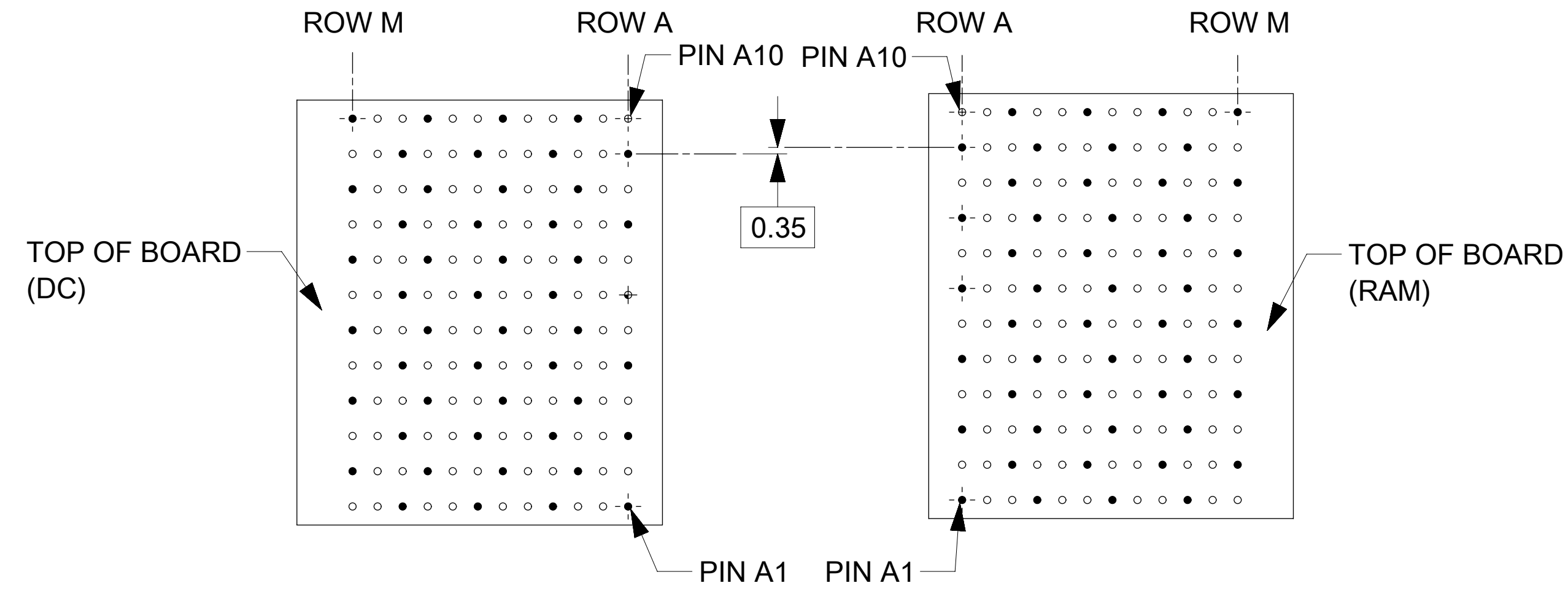
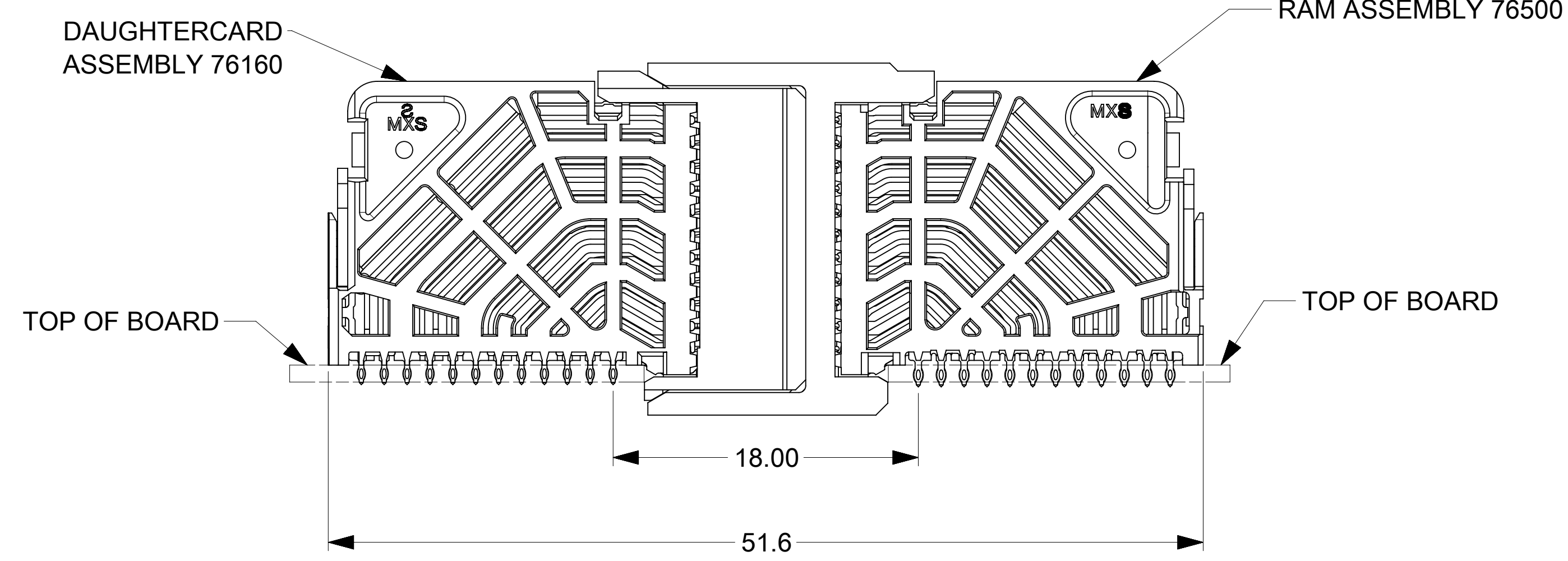
RAM HOLE PATTERN (CONNECTOR SIDE)



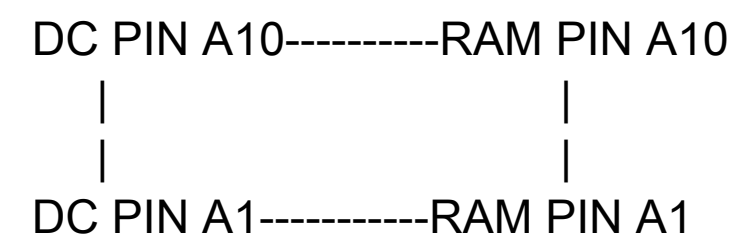
THIS DRAWING CONTAINS INFORMATION THAT IS PROPRIETARY TO MOLEX ELECTRONIC TECHNOLOGIES, LLC AND SHOULD NOT BE USED WITHOUT WRITTEN PERMISSION

DIMENSION UNITS mm	SCALE NTS	CURRENT REV DESC: REMASTERED TO NX	molex			
GENERAL TOLERANCES (UNLESS SPECIFIED)		EC NO: 705090				IMPACT 4 PAIR RAM UNGUIDED SIGNAL MODULE SALES DRAWING
ANGULAR TOL \pm 0.5°	4 PLACES \pm	DRWN: DYARAS 2021/12/07	PRODUCT CUSTOMER DRAWING			
3 PLACES \pm	2 PLACES \pm 0.13	CHK'D: YOGEEB 2022/02/09	DOCUMENT NUMBER	DOC TYPE	DOC PART	REVISION
1 PLACE \pm 0.25	0 PLACES \pm	APPR: LZENG 2022/05/13	SD-76500-001	PSD	001	D4
DRAFT WHERE APPLICABLE MUST REMAIN WITHIN DIMENSIONS		INITIAL REVISION: DRWN: JQUILES 2009/01/12 APPR: JLAURX 2009/01/13	MATERIAL NUMBER	CUSTOMER	SHEET NUMBER	
THIRD ANGLE PROJECTION		DRAWING D-SIZE	SERIES 76500	SEE TABLE	GENERAL MARKET	1 OF 2

COPLANAR APPLICATION



COPLANAR MATED SIGNAL PATHS



THIS DRAWING CONTAINS INFORMATION THAT IS PROPRIETARY TO MOLEX ELECTRONIC TECHNOLOGIES, LLC AND SHOULD NOT BE USED WITHOUT WRITTEN PERMISSION											
DIMENSION UNITS		SCALE		CURRENT REV DESC: REMASTERED TO NX							
mm		NTS									
GENERAL TOLERANCES (UNLESS SPECIFIED)				EC NO: 705090							
ANGULAR TOL ± 0.5°				DRWN: DYARAS				2021/12/07			
4 PLACES ±				CHK'D: YOGEEB				2022/02/09			
3 PLACES ±				APPR: LZENG				2022/05/13			
2 PLACES ± 0.13				INITIAL REVISION:							
1 PLACE ± 0.25				DRWN: JQUILES				2009/01/12			
0 PLACES ±				APPR: JLAURX				2009/01/13			
DRAFT WHERE APPLICABLE MUST REMAIN WITHIN DIMENSIONS				THIRD ANGLE PROJECTION		DRAWING		SERIES		MATERIAL NUMBER	
						D-SIZE		76500		SEE TABLE	
						GENERAL MARKET		CUSTOMER		SHEET NUMBER	
										2 OF 2	