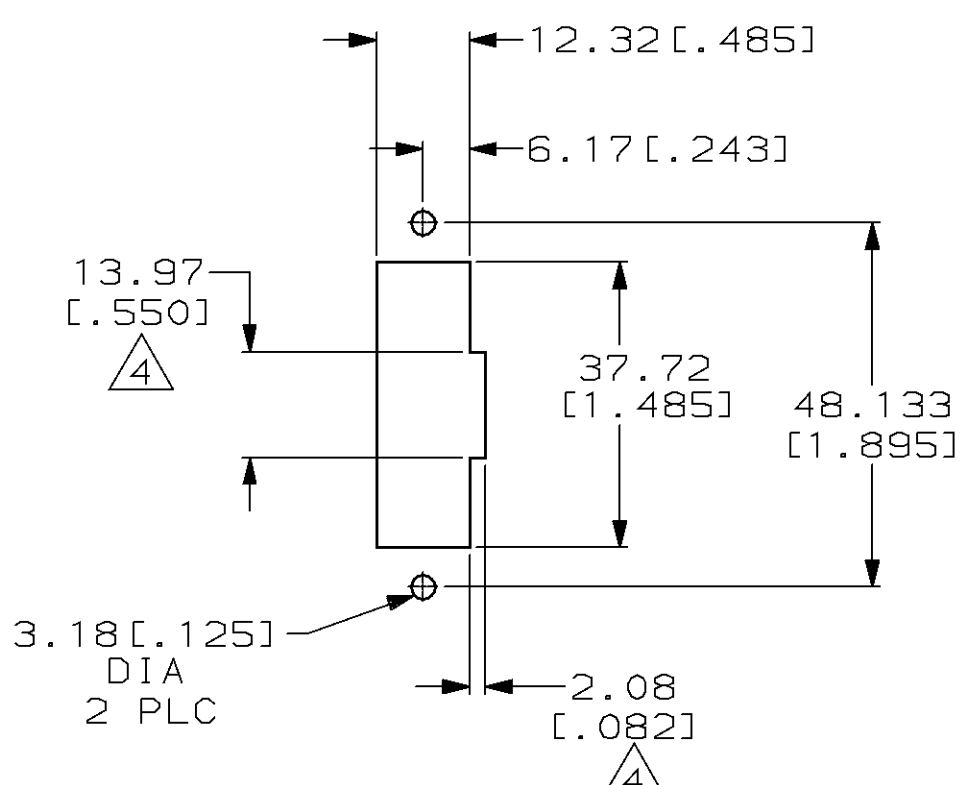
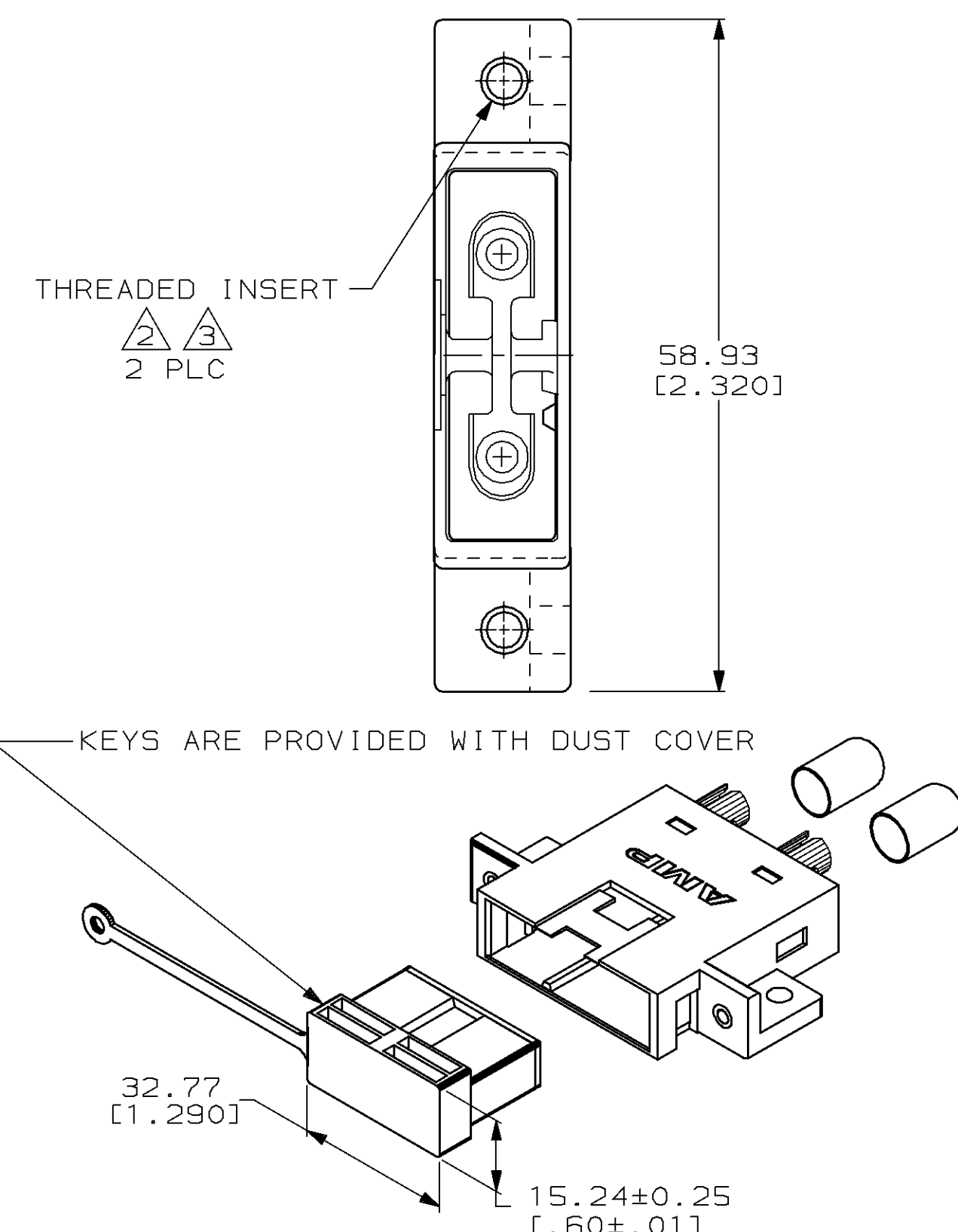
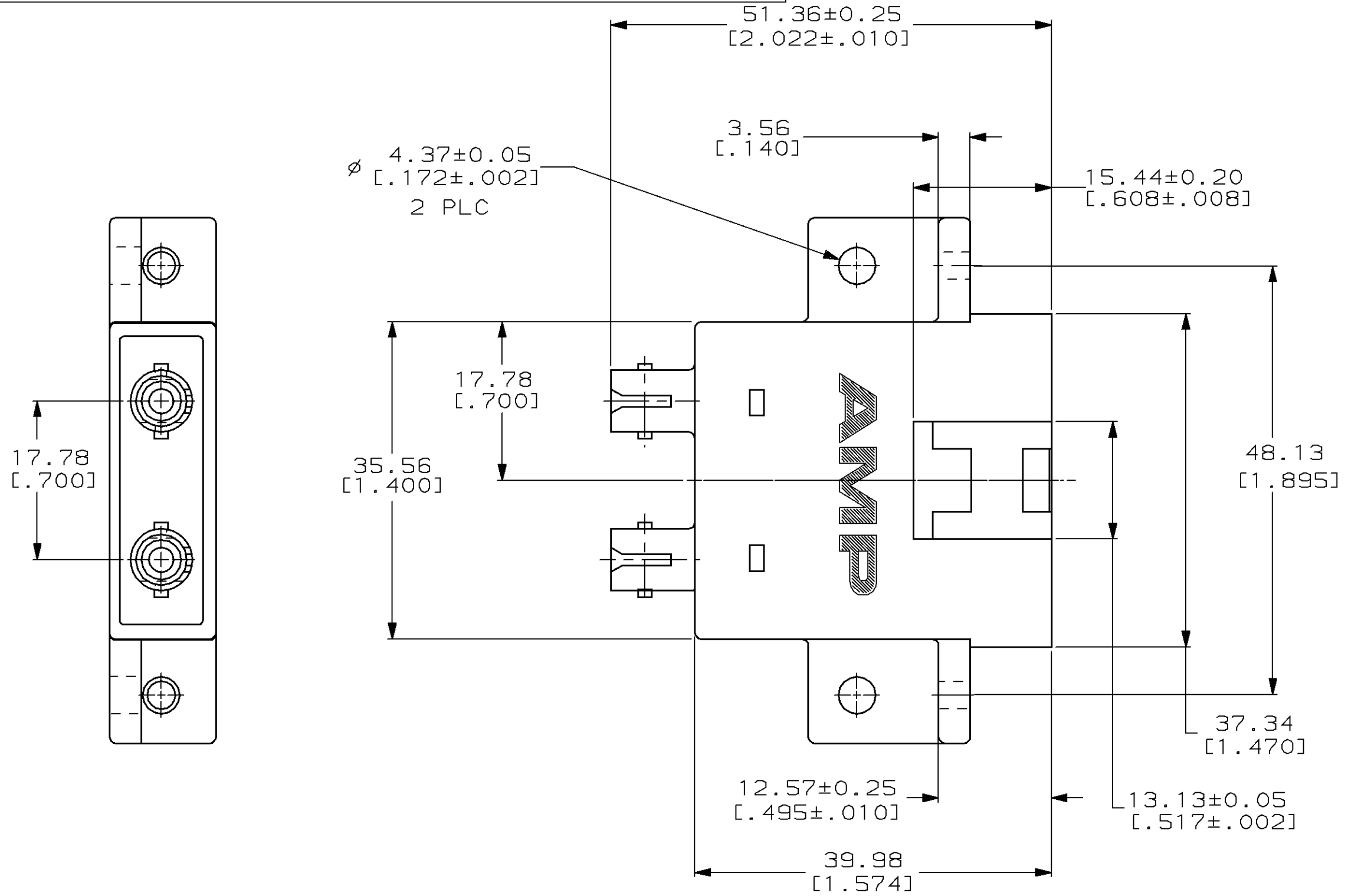


THIS DRAWING IS UNPUBLISHED. RELEASED FOR PUBLICATION, 19 .
 © COPYRIGHT 19 BY AMP INCORPORATED. ALL INTERNATIONAL RIGHTS RESERVED.

LOC		DIST		ZONE		LTR		REVISIONS		
CE	16	P	F					DESCRIPTION	DATE	APPD
						B		REV PER 0500-0087-94	11-22-94	RH/GL



1. DIMENSIONS IN [] ARE IN INCHES.
- 2 #4-40 THREADED INSERT.
- 3 M3X0.5 THREADED INSERT.
- 4 OPTIONAL CUTOUT FOR FIELD KEY INSERTION AND REMOVAL. KEY EXTRACTION TOOL PART NUMBER: 503679-1.

3	BLACK	CERAMIC	502809-3
	BEIGE	CERAMIC	502809-2
2	BLACK	CERAMIC	502809-1
	COLOR	ALIGNMENT SLEEVE MATERIAL	PART NUMBER

SUPERSEDED BY 502809-1

DO NOT SCALE PRINT. UNLESS SPECIFIED DIMENSIONS IN mm TOLERANCES ON : 2 PLC DEC ± - 3 PLC DEC ± 0.13 [.005] ANGLES ± -		DR 10-13-92 R.HILEMAN CHK 10-14-92 T.FAWCETT APPD 10-14-92 T.FAWCETT APPD 10-16-92 D.FISHER		PART NO	
MATERIAL THERMOPLASTIC		PRODUCT SPEC -		AMP INCORPORATED Harrisburg, Pa. 17105	
FINISH SEE TABLE		APPLICATION SPEC -		NAME FSD TO 2.5mm BAYONET COUPLING ASSEMBLY, FIELD KEYABLE, AMP FSD, SINGLEMODE	
		WEIGHT -		SIZE C FSCM NO 00779 DRAWING NO 502809	
				SCALE 2:1 SHEET 1 OF 1	

METRIC