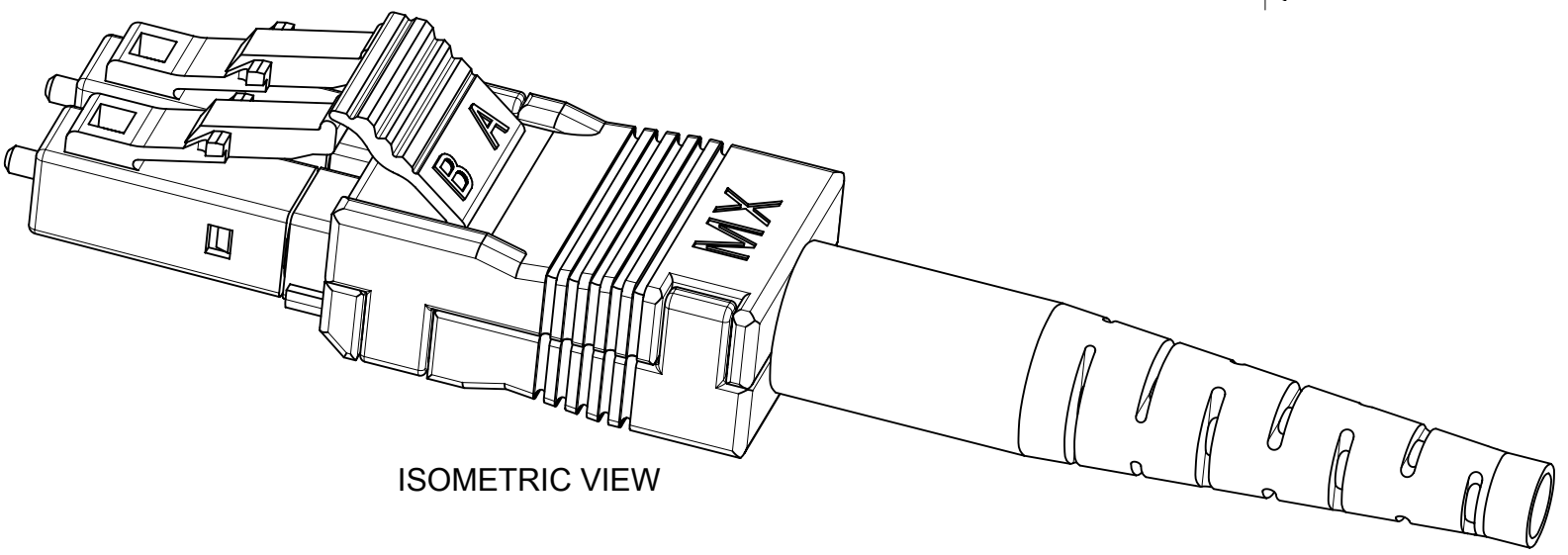
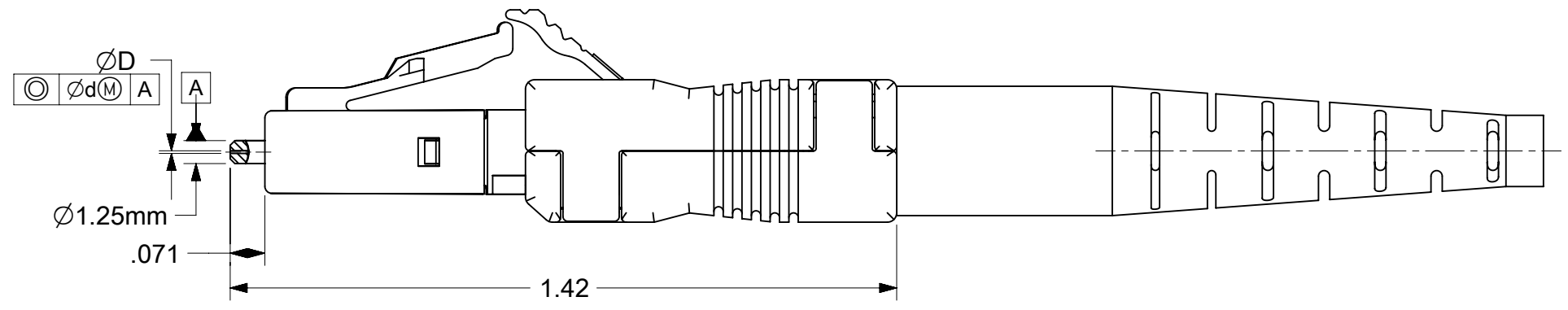
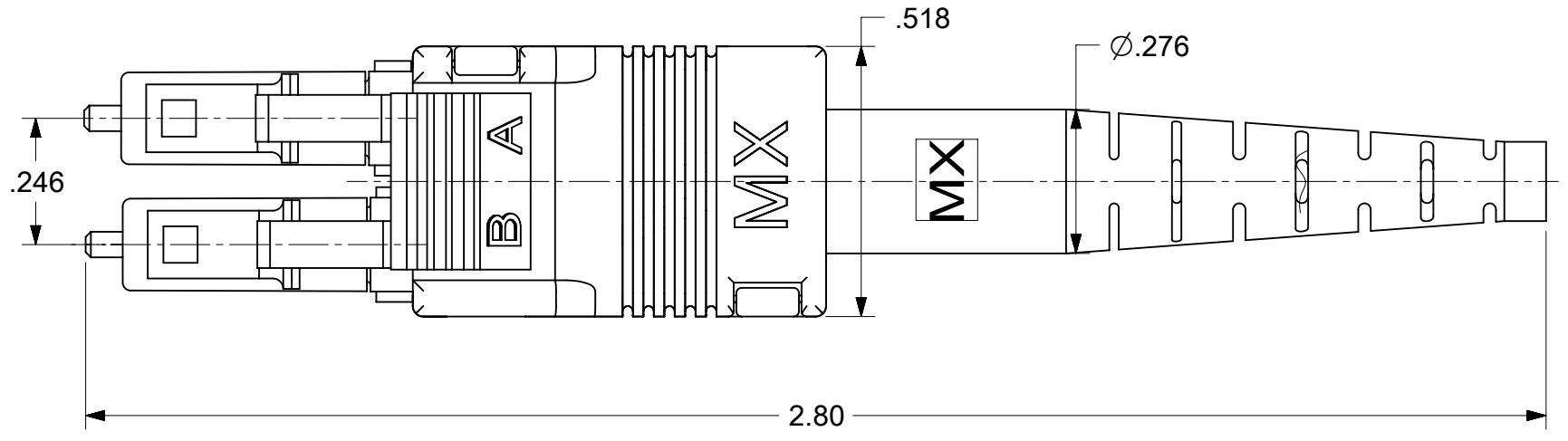
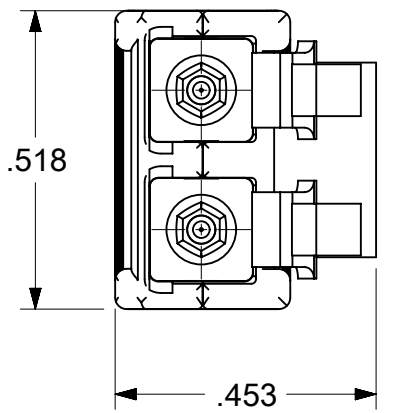


CONNECTOR HEAD P/N	ØD (µm)	Ød (µm)	COLOR	CABLE TYPE
106025-2320	125.5+1.0/-0	1.0	BLUE	SINGLE MODE
106025-2360	127+3/-0	3.0	BEIGE	MULTIMODE



ISOMETRIC VIEW

NOTES:  
 1.ALL DIMENSIONS ARE FOR REFERENCE ONLY.  
 2.DUST CAPS ARE NOT SHOWN.

THIS DRAWING CONTAINS INFORMATION THAT IS PROPRIETARY TO MOLEX ELECTRONIC TECHNOLOGIES, LLC AND SHOULD NOT BE USED WITHOUT WRITTEN PERMISSION									
DIMENSION UNITS	SCALE	CURRENT REV DESC:							
INCH	3:1								
GENERAL TOLERANCES (UNLESS SPECIFIED)		EC NO: 695254			LCD DOUBLE CONNECTOR DUAL LINK CABLE				
ANGULAR TOL ± 0.5°		DRWN: JHUANG18 2022/04/27							
4 PLACES ±	CHKD: IGUMIN 2022/04/29			PRODUCT CUSTOMER DRAWING					
3 PLACES ±	APPR: IGUMIN 2022/04/29								
2 PLACES ±	INITIAL REVISION:			DOCUMENT NUMBER <b>SD-106025-2320</b>					
1 PLACE ±	DRWN: YBEDNYAK 2007/08/30								
0 PLACES ±	APPR: IGUMIN 2007/09/05			DOC TYPE   DOC PART   REVISION PSD   001   A1					
DRAFT WHERE APPLICABLE MUST REMAIN WITHIN DIMENSIONS		THIRD ANGLE PROJECTION	DRAWING						SERIES
			B-SIZE	106025	SEE TABLE	GENERAL MARKET	1 OF 1		