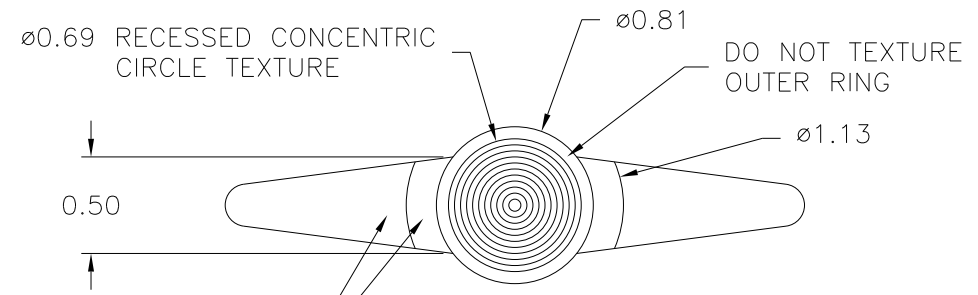


PART NAME: WING KNOB SCALE: 1:1 DATE: 8/10/87 DR. BY HD

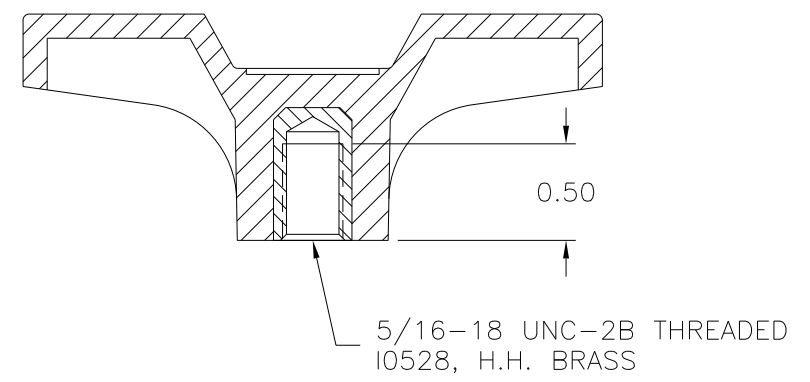
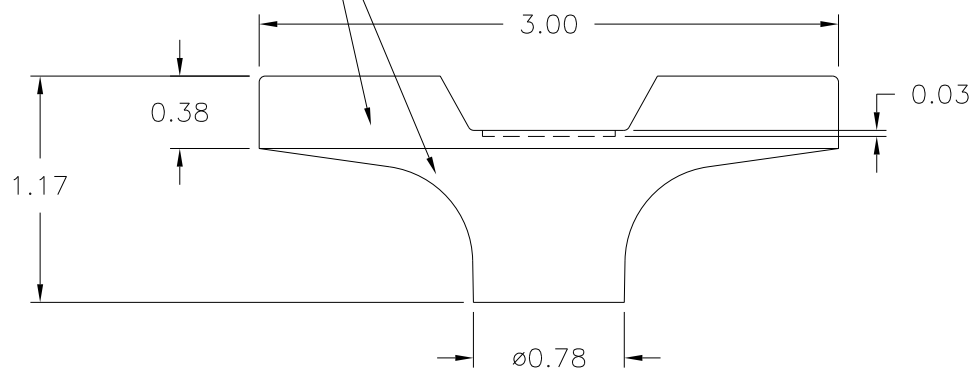
THIS DRAWING IS THE PROPERTY OF DAVIES MOLDING COMPANY, IS SUBMITTED SOLELY AS A DESIGN OR ENGINEERING PROJECT. WE ACCEPT NO RESPONSIBILITY WHATSOEVER FOR THE PRACTICAL APPLICATION OF THE PIECES MADE TO THIS DESIGN.



P/N 3093-A	
M ^{NO.}	70
CAVITY	3093
CORE	3093
CORE PLUG	3093
SLEEVE	3093
PIN	3093-A
INSERT	I0528



TEXTURED AREAS AS SHOWN (RE-6220)



(A) MATERIAL: POLYPROPYLENE (CLD) (C)
 COLOR: BLACK

NOTE : KNOB HGT. REVISED PER Q.C. REPORT AND REQUEST.

TOLERANCES: UNLESS OTHERWISE SPECIFIED	DO NOT SCALE DRAWING	C	ADDED MAT. CODE	DS	1/26/07
		-	RE-DID REDRAW	TL	11/11/99
DECIMALS: X.XXX ± .005 X.XX ± .015	MM: X.XX ± 0.15MM X.X ± 0.4MM	B	1.17 WAS 1.06	HD	8/30/96
		A	WAS NYLON 6/6	HD	8/13/96
FRACTIONS ± 1/64	ANG. ± 1°	-	CAD REDRAW	HD	7/9/92
		CHANGES			