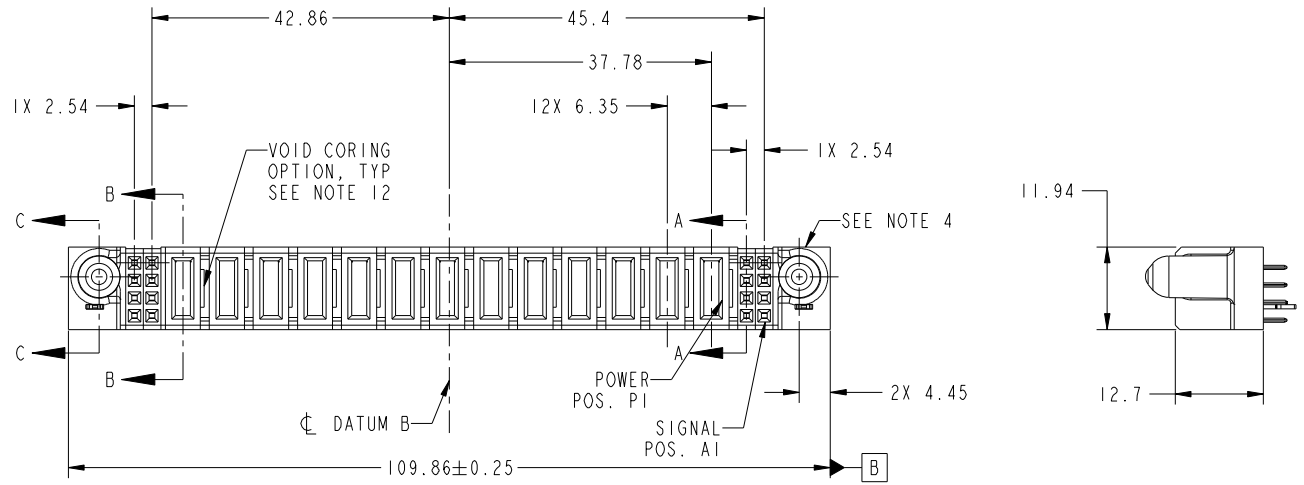


Tous droits strictement reserves. Reproduction ou communication a des tiers interdite sous quelque forme que ce soit sans autorisation écrite du propriétaire. Propriete de c FCI. Droits de reproduction FCI.



All rights strictly reserved. Reproduction or issue to third parties in any form whatever is not permitted without written authority from the proprietor. Property of FCI. Copyright FCI.

PRODUCT NO.	ROWS	SIGNAL		POWER																SIGNAL	
		E2	4 3	P13	P12	P11	P10	P9	P8	P7	P6	P5	P4	P3	P2	P1	2 1	E1			
51940-297-- NOTE: 3	D C B A																				



CODE	DIM "M" MATING LENGTH	CONTACT TYPE
E	[N/A]	SIGNAL
PA	[1.07]	POWER
HA	[N/A]	HOLD-DOWN
X	OMITTED	

mat'l code				SEE NOTES		tolerances unless otherwise specified		CUSTOMER		FCI	
ltr	ecn no.	dr	date	linear	0.X ±0.5	projection	COPY		www.fciconnect.com		
A	DG09-0173	JW	05/13/09	angles	0.XX ±0.25		title		8S + 13P + 8S		
				dr	0.XXX ±0.1		product family		PwrBlade		code
				enr	0° ±2°	scale	size		dwg no		213
				chr	JULIA WANG 05/13/09	1:1	A		51940-297		sheet
				appd	JEROME CHEN 05/13/09						1 of 4
					PM ZHENG 05/13/09						
					JOSEPH HSIA 05/13/09						
sheet index	revision sheet	A 1	A 2	A 3	A 4						

cage code 22526

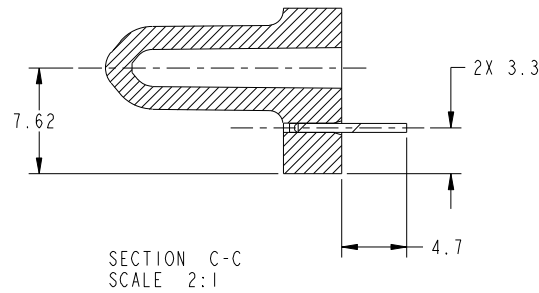
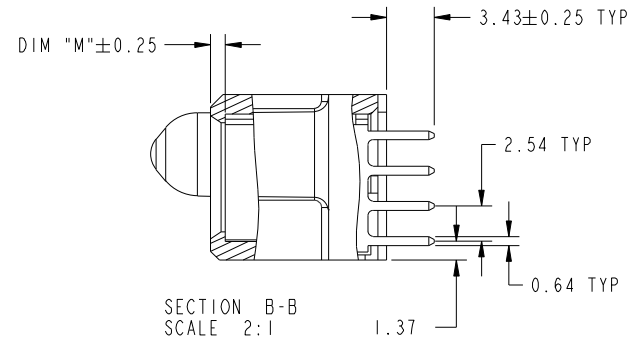
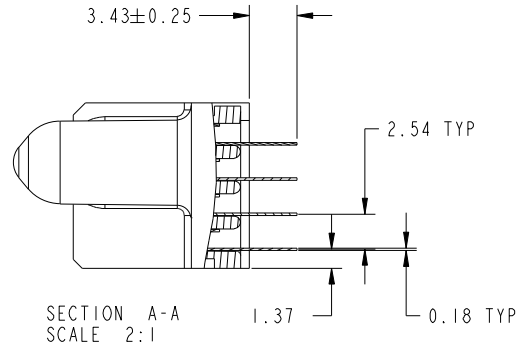
Pro/E

Tous droits strictement reserves. Reproduction ou communication a des tiers interdite sous quelque forme que ce soit sans autorisation écrite du propriétaire. Propriete de c FCI. Droits de reproduction FCI.



All rights strictly reserved. Reproduction or issue to third parties in any form whatever is not permitted without written authority from the proprietor. Property of FCI. Copyright FCI.

PRODUCT NUMBER
51940-297_
NOTE: 3



mat'l code				tolerances unless otherwise specified		CUSTOMER		 www.fciconnect.com	
ltr	ecn no.	dr	date	linear	0.X ± 0.5	COPY		title	
A					0.XX ± 0.25	projection		8S + 13P + 8S VERTICAL SOLDER RECEPT	
				angles	0.XXX ± 0.1			product family	
				dr	0° ± 2°	MIM		PwrBlade	
				enr	JULIA WANG 05/13/09	scale		code	
				chr	JEROME CHEN 05/13/09	1:1		213	
				appd	PM ZHENG 05/13/09			sheet	
					JOSEPH HSIA 05/13/09			2 of 4	
sheet index		revision sheet							

cage code 22526

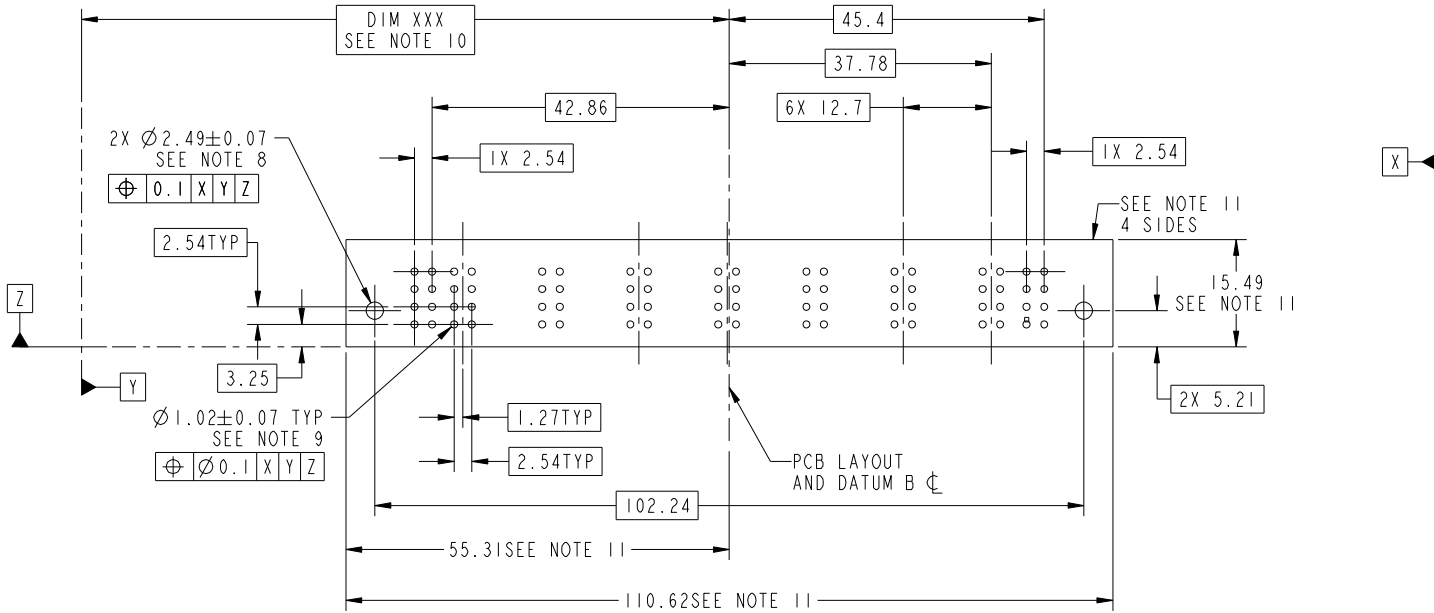
Pro/E

Tous droits strictement reserves. Reproduction ou communication a des tiers interdite sous quelque forme que ce soit sans autorisation écrite du propriétaire. Propriete de c FCI. Droits de reproduction FCI.



All rights strictly reserved. Reproduction or issue to third parties in any form whatever is not permitted without written authority from the proprietor. Property of FCI. Copyright FCI.

PRODUCT NUMBER
51940-297_
NOTE: 3



mat'l code				tolerances unless otherwise specified		CUSTOMER		FCI	
ltr	ecr no.	dr	date	linear	0.X ± 0.5	COPY		www.fciconnect.com	
A					0.XX ± 0.25	projection		title	
				angles	0.XXX ± 0.1			8S + 13P + 8S VERTICAL SOLDER RECEPT	
				dr	JULIA WANG 05/13/09	MIM		product family PwrBlade code	
				enr	JEROME CHEN 05/13/09			size 213	
				chr	PM ZHENG 05/13/09	scale		dwg no 51940-297 sheet	
				appd	JOSEPH HSIA 05/13/09	1:1		3 of 4	
sheet index	revision sheet								

cage code 22526

Pro/E

Tous droits strictement reserves. Reproduction ou communication a des tiers interdite sous quelque forme que ce soit sans autorisation écrite du propriétaire. Propriete de c FCI. Droits de reproduction FCI.



All rights strictly reserved. Reproduction or issue to third parties in any form whatever is not permitted without written authority from the proprietor. Property of FCI. Copyright FCI.

PRODUCT NUMBER
51940-297_-
NOTE: 3

NOTES:

1. DIMENSIONS AND TOLERANCES ARE IN ACCORDANCE WITH ASME Y14.5M, 1994 UNLESS OTHERWISE SPECIFIED.

CONNECTOR NOTES:

- 2 HOUSING MATERIAL: UL 94 V-0 GLASS FILLED HIGH-TEMP THERMOPLASTIC
POWER CONTACT MATERIAL: COPPER ALLOY
SIGNAL PIN MATERIAL: COPPER ALLOY
- 3. PLATING SPEC.
SEE ITEM 5 & 6 IN PRINT 10064183 FOR PLATING SPEC. OF 51940-297, 51940-297LF RESPECTIVELY.

4 MANUFACTURER'S NAME, P/N, AND DATE CODE TO APPEAR ON THIS SURFACE.

5. PRODUCT SPECIFICATION GS-12-149.
APPLICATION SPECIFICATION BUS-20-067.

6. PACKAGED IN TRAYS.

PCB NOTES:

7. ALL HOLE DIAMETERS ARE FINISHED HOLE SIZE.

8 MOUNTING HOLES, WHERE APPLICABLE, ARE UNPLATED.

9 $\varnothing 1.151 \pm 0.025$ DRILLED HOLES PLATED WITH
0.008 MIN SnPb OR Sn OVER 0.03
TO 0.08 Cu PLATING TO ACHIEVE
 $\varnothing 1.02 \pm 0.07$ HOLE.

10 "DIM XXX" TO BE DETERMINED BY THE CUSTOMER.

11 CONNECTOR KEEP-OUT ZONE.

12. THE VOID CORING IN BETWEEN POWER MODULES, SIGNAL MODULES AND END MODULES ARE OPTIONAL AND THE SHAPE MAY BE DIFFERENT FOR OPTIMIZE THE MOLDING PROCESS. THE VOID CORING WILL NOT EFFECT TO PRODUCT FUNCTION.

mat'l code				tolerances unless otherwise specified		CUSTOMER		FCI	
ltr	ecn no.	dr	date	linear	0.X ± 0.5	COPY		www.fciconnect.com	
A					0.XX ± 0.25	projection		title	
				angles	0.XXX ± 0.1			8S + 13P + 8S VERTICAL SOLDER RECEPT	
				dr	0° ± 2°	MIM		product family PwrBlade code	
				enr	JULIA WANG 05/13/09	←		size 213	
				chr	JEROME CHEN 05/13/09	scale		dwg no 4 of 4	
				appd	PM ZHENG 05/13/09	1:1		sheet	
					JOSEPH HSIA 05/13/09	A		51940-297	
sheet index	revision sheet								

cage code 22526

Pro/E