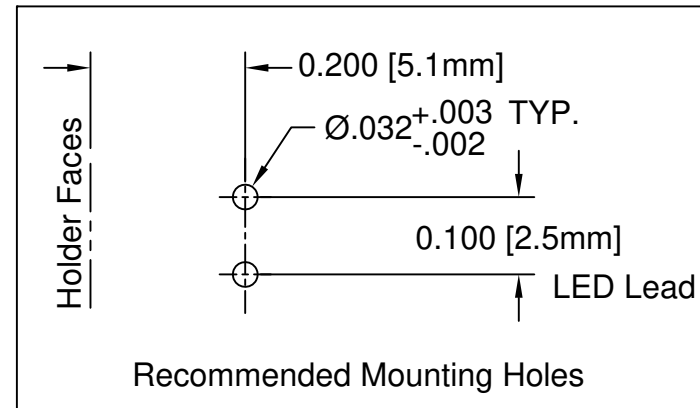
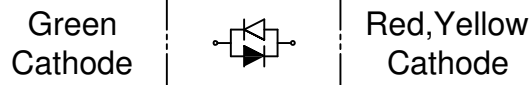
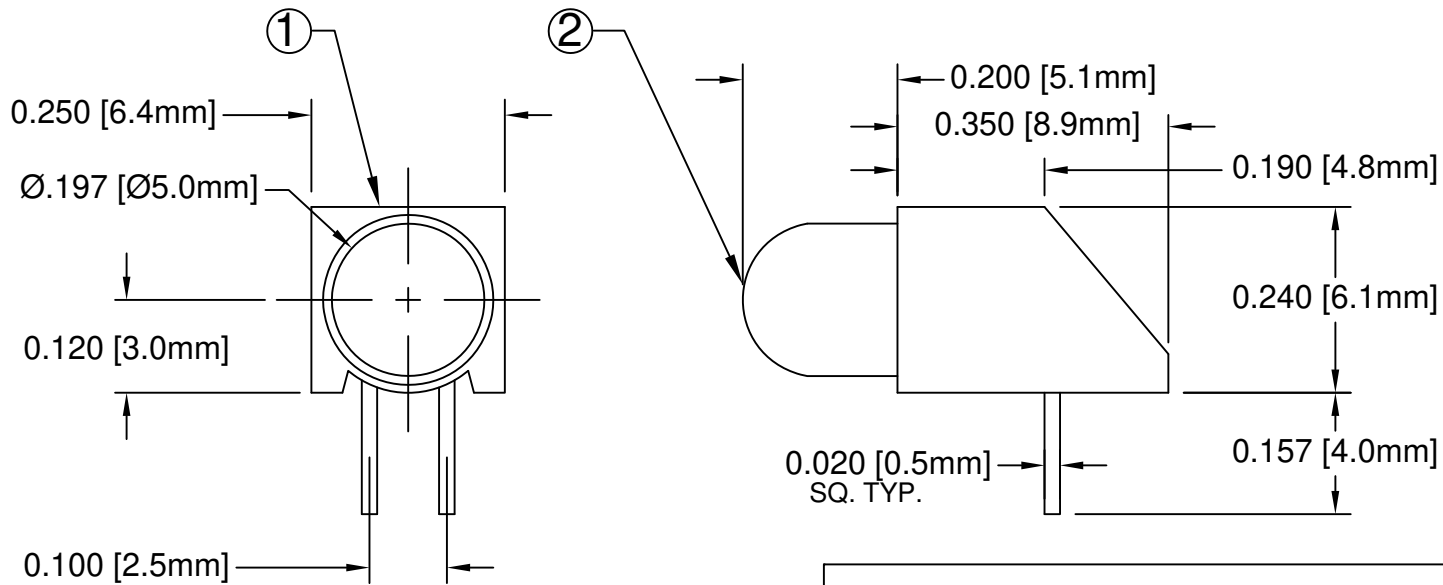


ITEM	Q'TY	PART NUMBER	PART DESCRIPTION
1	1	H-178C-2	T-1¼ (5mm) LED Holder, 90° Mount
2	1	5BC-XX	T-1¼ (5mm) Non-Flange Bi-Color LED, See Page 2

REV.	DESCRIPTION	DATE	APPROVED
A	Engineering Update w/o Changes	03/05/04	M. C.
B	Updated LED Protrusion from .215 to .200	12/19/06	M. C.
C	Changed Holder from H-178C-1 to H-178C-2	02/14/07	M. C.
D	Engineering Update w/o Changes	06/20/16	J. C.




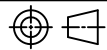
ABSOLUTE MAXIMUM RATINGS (Ta=25° C)

REVERSE VOLTAGE	5V
REVERSE CURRENT	100uA
OPERATING TEMPERATURE RANGE	-40° C - 80° C
STORAGE TEMPERATURE	-40° C - 100° C
LEAD SOLDERING TEMPERATURE(1/16" FROM BODY)	260° C FOR 5 SECONDS

STANDARD TOLERANCE (UNLESS OTHERWISE SPECIFIED)		BIVAR®	
DECIMALS	ANGULAR	4 THOMAS, IRVINE, CA. 92618	
.X ± .1	X° ± 1°	TEL: (949) 951-8808 FAX: (949) 951-3974	
.XX ± .02		TITLE: T-1¼ (5mm) BI-COLOR 90° SINGLE-LEVEL LED ASSY	
.XXX ± .010		PART NO: H178CBCXX	
DESIGNED: T. Yin	DATE: 03/05/04	REVISION: D	
CHECKED: D. Green	DATE: 03/05/04	CAGE CODE : 32559	SHEET # 1 OF 2
CAD GENERATED DOCUMENT. DO NOT MEASURE DRAWING.			

REV.	DESCRIPTION	DATE	APPROVED
	SEE SHEET #1		

LED Assy. No.	Peak Wave Length λ_p (nm)	Emitted Color	Lens Appearance	Absolute Max. Ratings	Electro-Optical Data @ 20mA			Viewing Angle $2\theta_{1/2}$ (Deg)	LED P/N
					Vf (V)		Iv (mcd)		
					I _f (mA)	TYP	MAX		
H178CBC	635	HE RED	WHITE DIFFUSED	30	2.0	2.6	45	50	5BC
	568	GREEN		30	2.2	2.6	45		
H178CBC-Y/G	585	YELLOW	WHITE DIFFUSED	30	2.1	2.6	40	50	5BC-Y/G
	568	GREEN		30	2.2	2.6	40		

STANDARD TOLERANCE (UNLESS OTHERWISE SPECIFIED) $\pm 10\%$ ALL VALUES ANGULAR		 4 THOMAS, IRVINE, CA. 92618 TEL: (949) 951-8808 FAX: (949) 951-3974	
		 TITLE: T-1 ^{3/4} (5mm) BI-COLOR 90° SINGLE-LEVEL LED ASSY	
DESIGNED: T. Yin	DATE: 03/05/04	PART NO: H178CBCXX	REVISION: D
CHECKED: D. Green	DATE: 03/05/04	CAGE CODE : 32559	SHEET # 2 OF 2
CAD GENERATED DOCUMENT. DO NOT MEASURE DRAWING.			